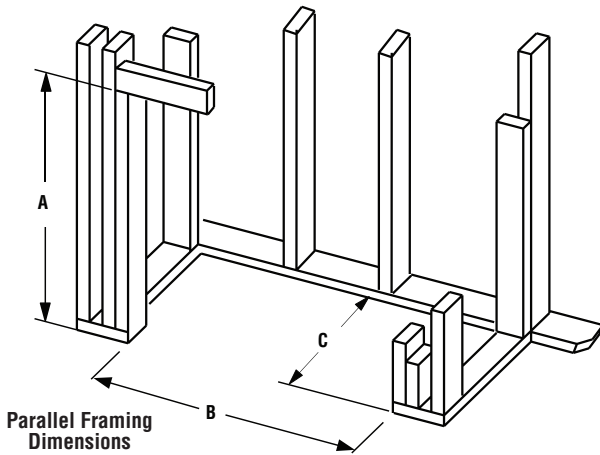


# WRE4542 AND WRE4842 SERIES

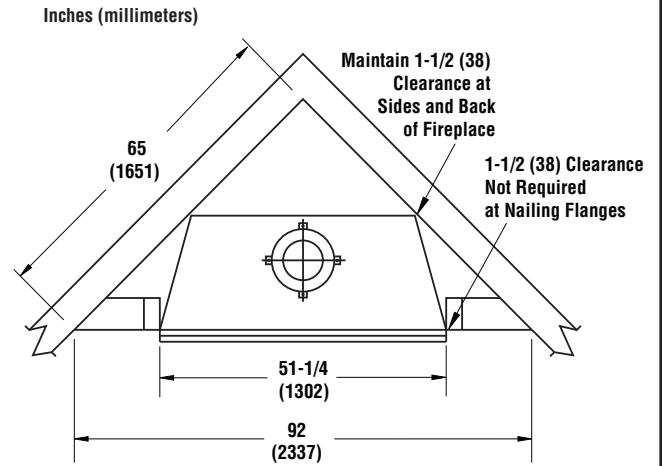
## OUTDOOR WOOD-BURNING FIREPLACES

Framing Dimensions



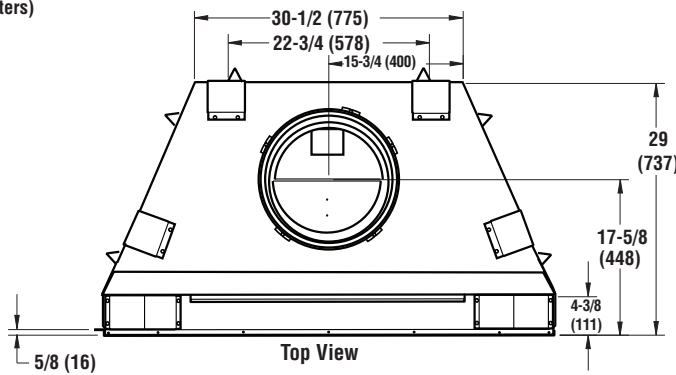
Parallel Framing Dimensions

	A	B	C
42" Models	67-1/8 (1705)	51-5/8 (1312)	30-1/8 (766)

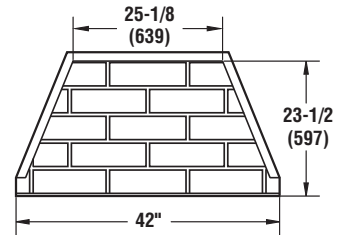


Corner Framing Dimensions

Inches (millimeters)

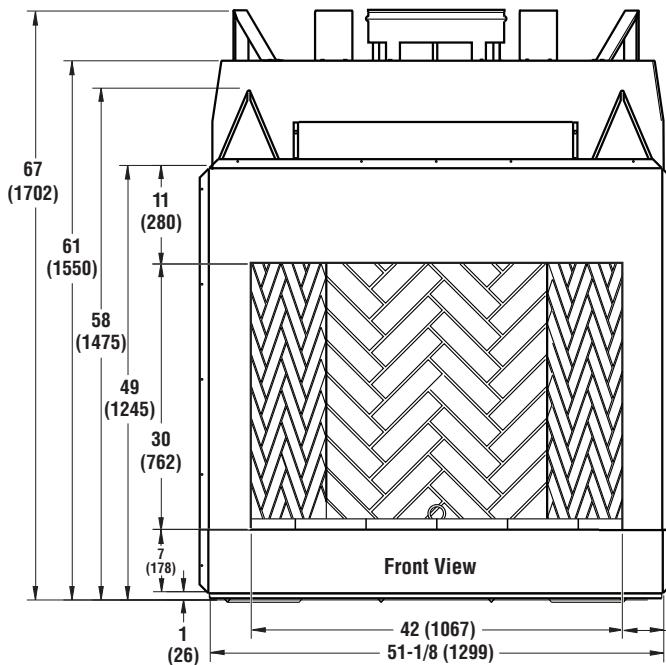


Top View

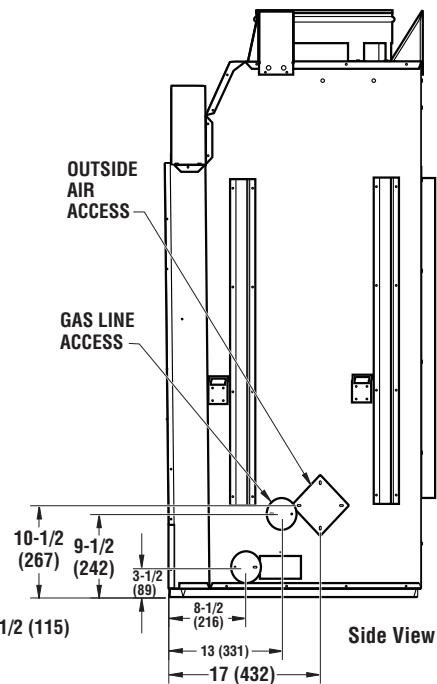


42" HEARTH

Fireplace Dimensions



Front View



Side View

# WRE4542 AND WRE4842 SERIES

Product Information

Product Reference Information			
Cat. No.	Models	Shipping Weight	Shipping Volume
F0441	WRE4542RS	572 lb.	131.5 cu. ft.
F0442	WRE4542WS	572 lb.	131.5 cu. ft.
F0443	WRE4542RH	572 lb.	131.5 cu. ft.
F0444	WRE4542WH	572 lb.	131.5 cu. ft.

Product Reference Information			
Cat. No.	PureFire™ Models	Shipping Weight	Shipping Volume
F0429	WRE4842RS	575 lb.	131.5 cu. ft.
F0430	WRE4842WS	575 lb.	131.5 cu. ft.
F0431	WRE4842RH	575 lb.	131.5 cu. ft.
F0432	WRE4842WH	575 lb.	131.5 cu. ft.

Listing Information



Report No. F09-095

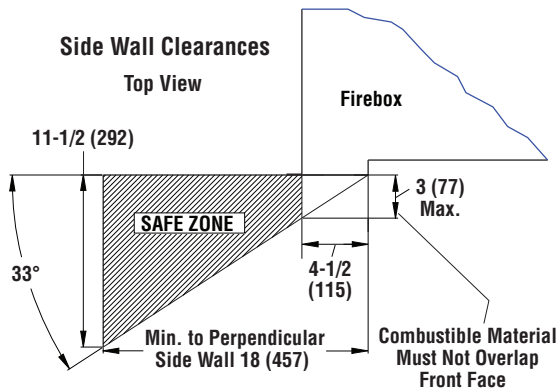
This fireplace has been tested and approved by PFS Corporation under UL127/ULC-S610 standard as a Factory Built Appliance and may be used with gas logs approved to ANSI Z21.60, Z21.84 or Z21.11.2 standards.

Clearances

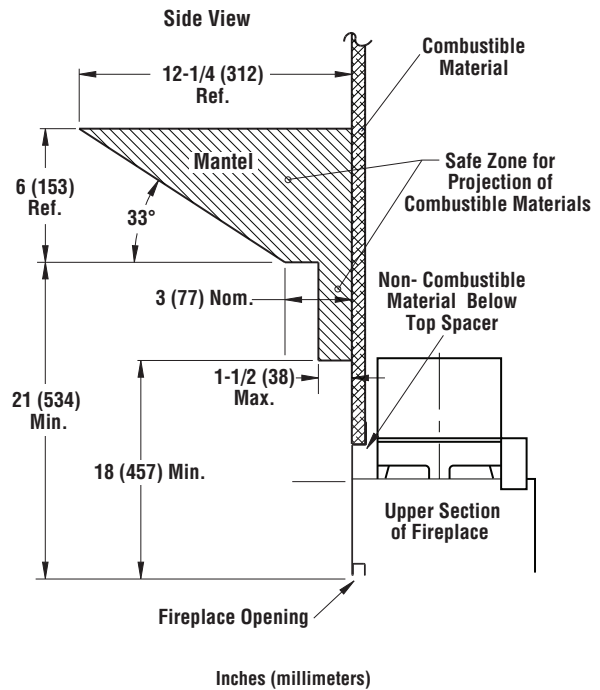
Clearances to Combustibles	
Description	Min. Clearance
Back and sides of fireplace	1-1/2 (38)*
Ceiling	42 (1067)
Front of fireplace	48 (1220)
Floor	0 (0)**
Perpendicular wall to opening	18 (457)
Top spacers	0 (0)
Chimney outer pipe surface	2 (51)

\* Not required at nailing flanges

\*\* See step 2 of Framing in the Installation and Operation Manual



## Mantel Clearances



Venting

**Venting**  
Uses Standard (12DM) and Hi-Temp (12HT) Wood-Burning Chimney. For Canada Use 12HT Chimney

