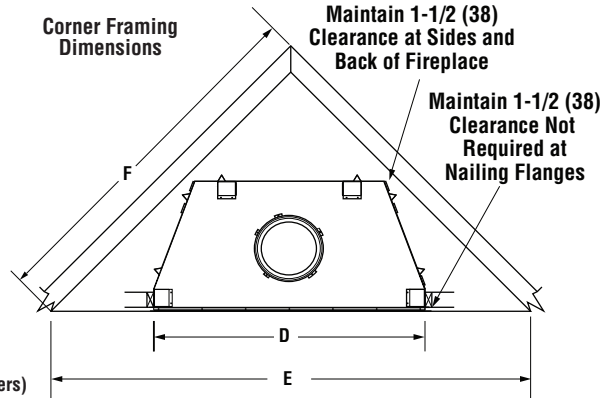
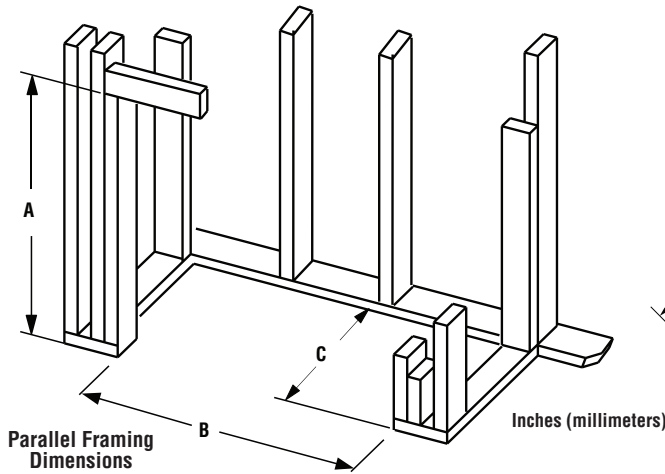


# WRE6000 36/42/50 SERIES

## OUTDOOR WOOD-BURNING FIREPLACES

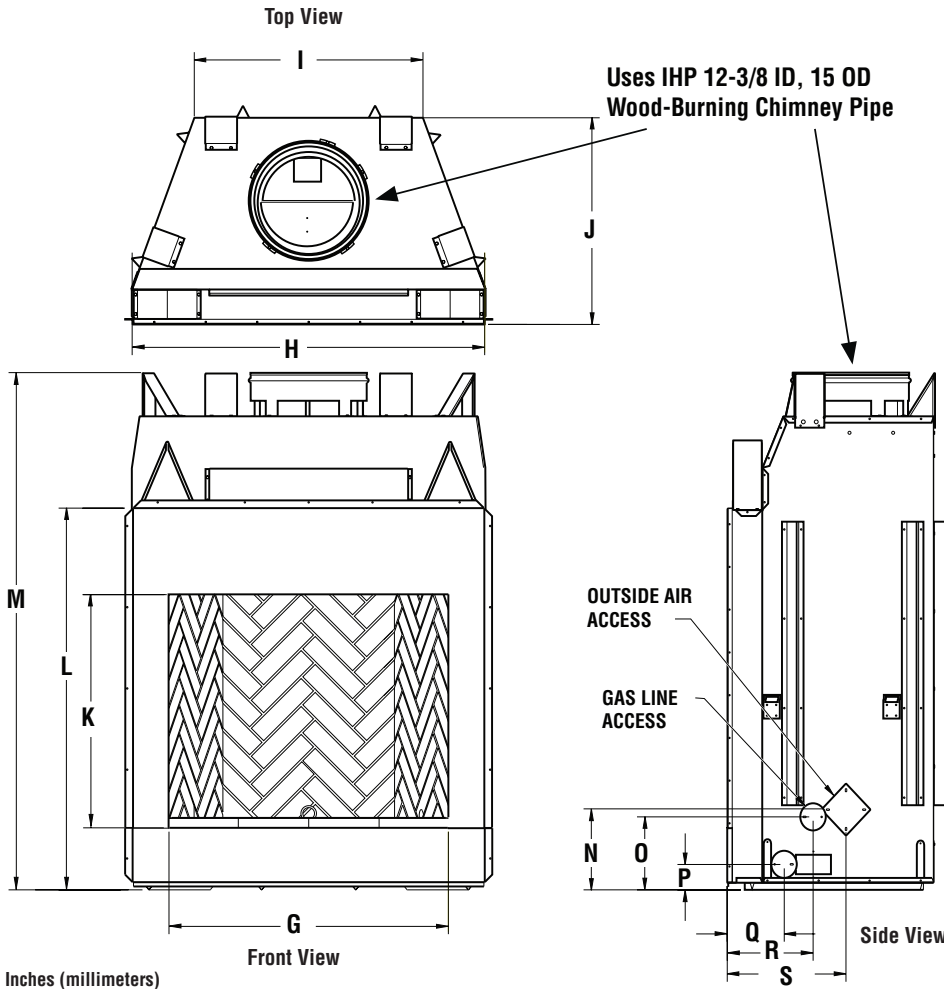
Framing Dimensions



|          | 36" Models    | 42" Models    | 50" Models    |
|----------|---------------|---------------|---------------|
| <b>A</b> | 67-1/8 (1705) | 67-1/8 (1705) | 67-1/8 (1705) |
| <b>B</b> | 45-5/8 (1159) | 51-5/8 (1312) | 59-3/4 (1518) |
| <b>C</b> | 28-1/4 (718)  | 30-1/8 (766)  | 30-1/8 (766)  |

|          | 36" Models    | 42" Models    | 50" Models    |
|----------|---------------|---------------|---------------|
| <b>D</b> | 45-1/4 (1150) | 51-1/4 (1302) | 59-1/4 (1505) |
| <b>E</b> | 86-1/2 (2197) | 92 (2337)     | 100 (2540)    |
| <b>F</b> | 61 (1550)     | 65 (1651)     | 71 (1804)     |

Fireplace Dimensions



|          | 36" Model     | 42" Model     | 50" Model     |
|----------|---------------|---------------|---------------|
| <b>G</b> | 36 (915)      | 42 (1067)     | 50 (1270)     |
| <b>H</b> | 45-1/8 (1147) | 51-1/8 (1299) | 59-1/4 (1505) |
| <b>I</b> | 29 (737)      | 30-1/2 (775)  | 38-1/2 (978)  |
| <b>J</b> | 26-5/8 (677)  | 29 (737)      | 29 (737)      |
| <b>K</b> | 30 (762)      | 30 (762)      | 30 (762)      |
| <b>L</b> | 49 (1245)     | 49 (1245)     | 49 (1245)     |
| <b>M</b> | 67 (1702)     | 67 (1702)     | 67 (1702)     |
| <b>N</b> | 10-1/2 (267)  | 10-1/2 (267)  | 10-1/2 (267)  |
| <b>O</b> | 9-1/2 (242)   | 9-1/2 (242)   | 9-1/2 (242)   |
| <b>P</b> | 3-1/2 (89)    | 3-1/2 (89)    | 3-1/2 (89)    |
| <b>Q</b> | 7-1/4 (185)   | 8-1/2 (216)   | 8-1/2 (216)   |
| <b>R</b> | 11 (280)      | 13 (331)      | 13 (331)      |
| <b>S</b> | 15-1/4 (388)  | 17 (432)      | 17 (432)      |

