

Superior
FIREPLACES®
Our name is our promise.



“Impressive” is the only way to describe these massive wood burners. Designed for large outdoor applications, the WRE6000 Series fireplace features a 30” tall opening and beautiful Mosaic Masonry™ brick that represents a true masonry fireplace appearance in stainless steel construction for long lasting use.



FEATURED WRE6036 with Warm Red Herringbone Mosaic Masonry™ brick

EXCLUSIVE FEATURES

- 🔥 Available in 36", 42" and 50" models
- 🔥 Massive smoke dome with no visible smoke shelf for reliable operation
- 🔥 Fully insulated firebox for increased performance in colder climates
- 🔥 Mosaic Masonry™ brick available in a variety of patterns and colors with integrated ash lip
- 🔥 Heavy duty stainless steel log grate
- 🔥 Easy access damper control
- 🔥 Includes stainless steel mesh fire screens
- 🔥 Dual (left hand/right hand) outside air kits available for maximum performance
- 🔥 Stainless steel construction for long lasting outdoor use
- 🔥 Uses IHP 12 DM (1700°) double wall air cooled wood burning chimney
- 🔥 Uses IHP 12 HT (2100°) heavy gauge double wall air cooled wood burning chimney, recommended for cold climates (required for Canada)
- 🔥 20 year limited warranty



Engineered Mosaic Masonry™ bricks are hand grouted in the factory for ease of installation, and provide the authentic look of masonry craftsmanship.

INTERIOR

(Required)

Choose from Warm Red or Ivory Mosaic Masonry™ Full or Split brick in Stacked or Herringbone patterns.



Warm Red Herringbone



Warm Red Stacked



Warm Red Split Herringbone



Warm Red Split Stacked



Ivory Herringbone



Ivory Stacked



Ivory Split Herringbone



Ivory Split Stacked

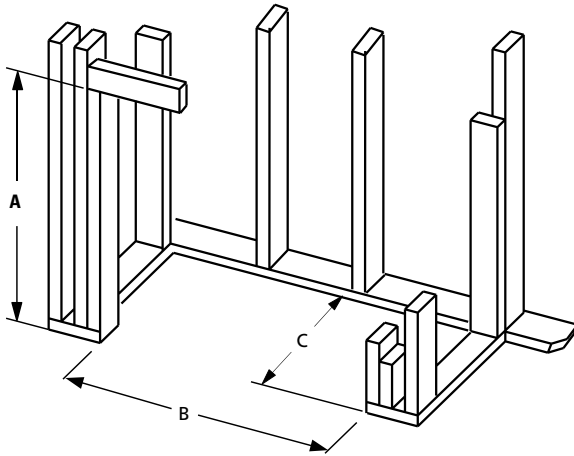
GLASS DOORS

(Optional)

Expertly crafted bi-fold glass doors in an Ebony finish.

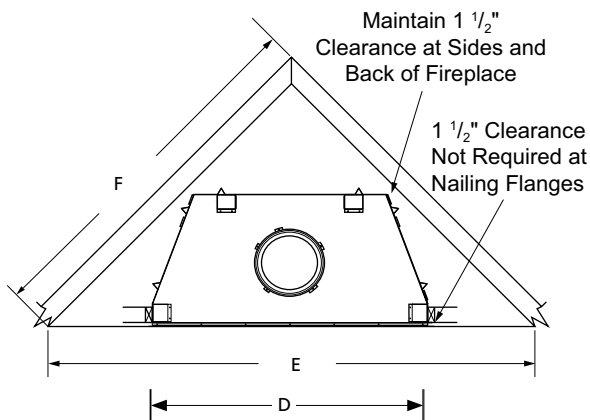


FLAT WALL FRAMING SPECIFICATIONS



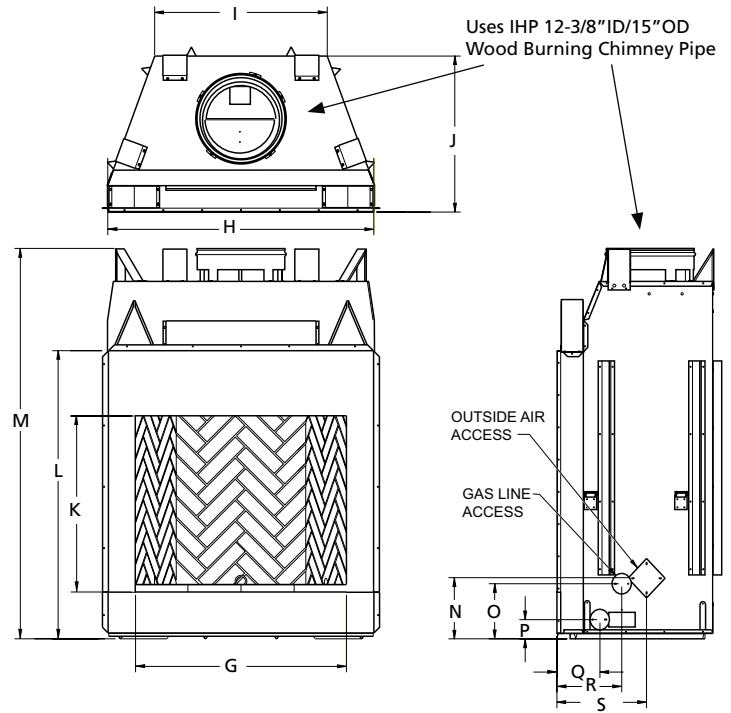
	WRE6036	WRE6042	WRE6050
A	67-1/8"	67-1/8"	67-1/8"
B	45-1/4"	51-1/4"	59-1/8"
C	28-1/4"	30-1/8"	30-1/8"

CORNER FRAMING SPECIFICATIONS



	WRE6036	WRT6042	WRT6050
D	45-1/4"	51-1/4"	59-1/4"
E	86-1/2"	92"	100"
F	61"	65"	71"

APPLIANCE SPECIFICATIONS



	WRE6036	WRE6042	WRE6050
G	36"	42"	50"
H	45-1/8"	51-1/8"	59"
I	29"	30-1/2"	38-1/2"
J	26-5/8"	29"	28-1/2"
K	30"	30"	30"
L	49"	49"	49"
M	67"	67"	67"
N	10-1/2"	10-1/2"	10-1/2"
O	9-1/2"	9-1/2"	9-1/2"
P	3-1/2"	3-1/2"	3-1/2"
Q	7-1/4"	8-1/2"	8-1/2"
R	11"	13"	13"
S	15-1/4"	17"	17"

IMPORTANT NOTES:

As with any fireplace, this appliance is extremely hot during operation. Read and understand all operating instructions before using this appliance. For further information, consult your dealer.

Local conditions, such as elevation, wind, vent configuration and choice of fuel will affect overall appearance of the fire and heating performance. Performance can also vary with home design and insulation, climate, condition and type of fuel used, appliance location, burn rate, accessories chosen, chimney installation and how the appliance is operated.

Diagrams, illustrations and photographs are not to scale—consult installation instructions. Product designs, materials, dimensions, specifications, colors and prices are subject to change or discontinuation without notice.

On the Cover: WRE6036 with Ivory Herringbone Mosaic Masonry™ brick



© 2019 Innovative Hearth Products

785470M 07/19

Visit us online
SuperiorFireplaces.us.com

