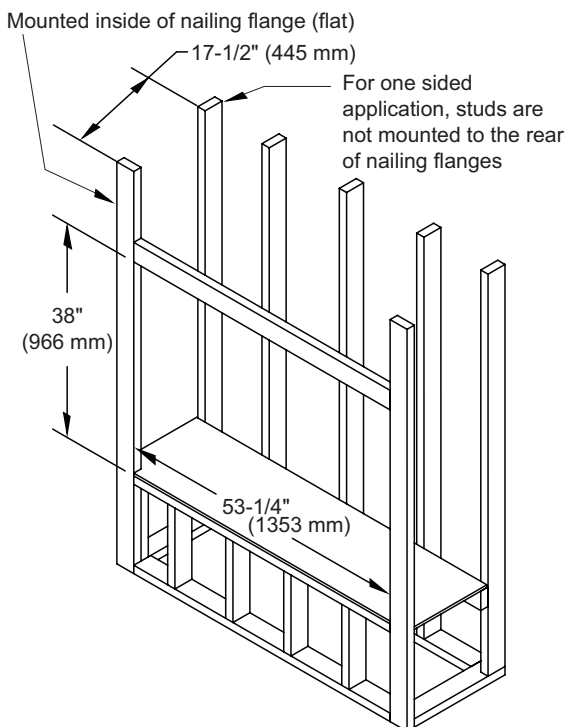


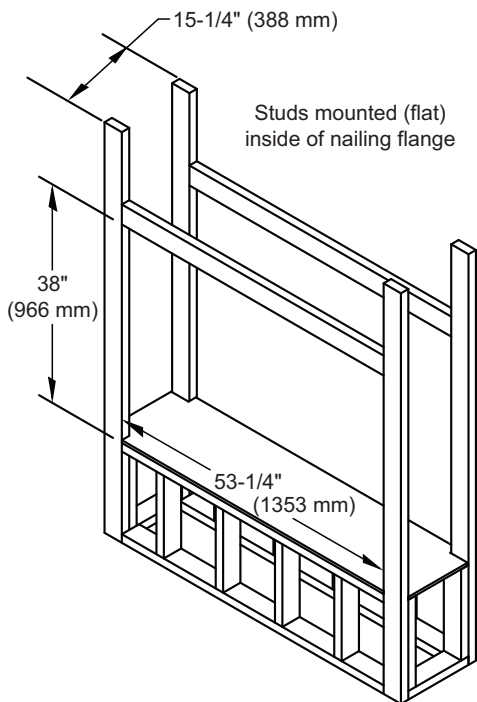
VRE4543

43" LUMINARY LINEAR OUTDOOR VENT-FREE FIREPLACES

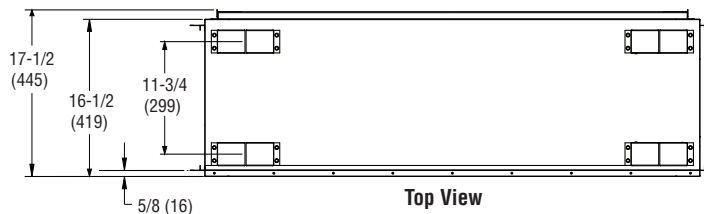
Framing Dimensions



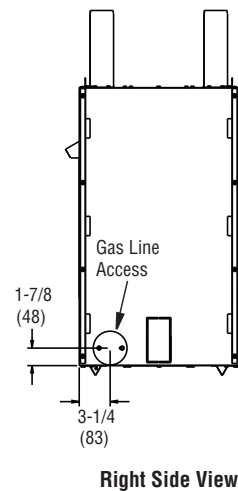
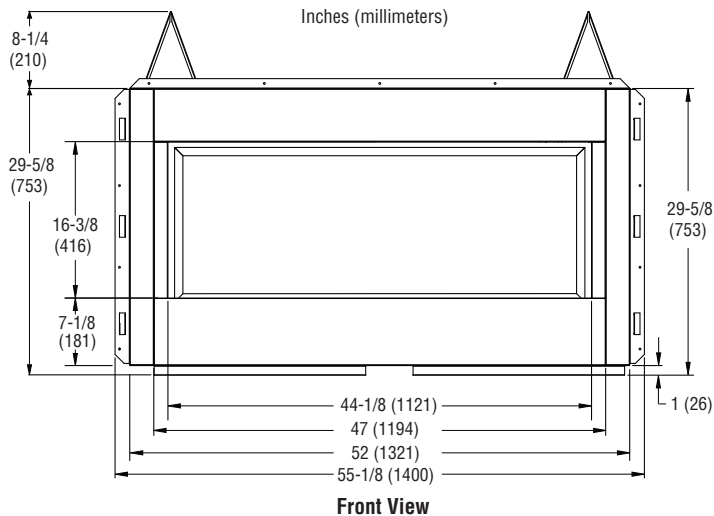
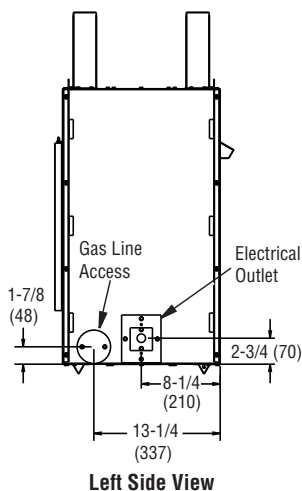
Framing Dimensions for One Sided Application



Framing Dimensions for See-Thru Application



Fireplace Dimensions



Diagrams, illustrations and photographs are not to scale. Consult installation instructions. Product designs, materials, dimensions, specifications, colors, and prices are subject to change or discontinuance without notice.

NOTE: DIAGRAMS & ILLUSTRATIONS ARE NOT TO SCALE.

VRE4543

Product Info

Cat. No.	Model	Weight	Cu. Ft.
F0497	VRE4543EN	267 lb.	22.1
F0498	VRE4543EP	267 lb.	22.1

Listing



This fireplace is designed for outdoor use only. It has been tested and approved to ANSI Z21.97 standard for outdoor decorative gas appliance and CAN 1-2.21-M85 standard for gas-fired appliance for outdoor installation.

Clearances

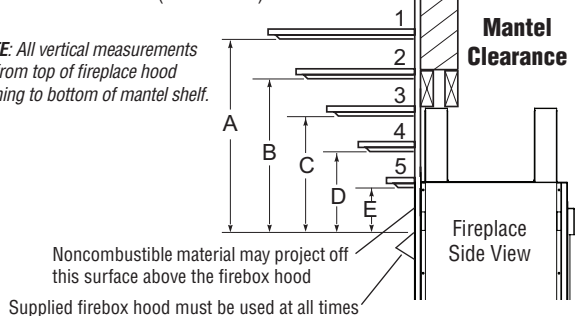
Minimum clearances to combustibles for the fireplace are as follows:			
*Back and Sides	1"	26 mm	
Perpendicular Walls	8"	203 mm	
Floor (from bottom of fireplace)	0"	0 mm	
Ceiling (from top of opening)	42"	1067 mm	
Top of Standoffs	0"	0 mm	

*For back and sides of fireplace, do not pack with insulation or other materials.

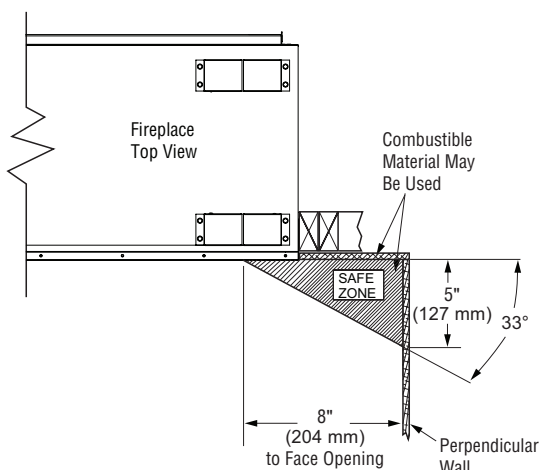
Ref.	Mantel Depth	Ref.	Mantel from Top of Opening
1.	12 (305)	A	24 (610)
2.	9 (229)	B	21 (554)
3.	6 (152)	C	18 (458)
4.	4 (102)	D	16 (407)
5.	2 (51)	E	14 (356)

Inches (millimeters)

NOTE: All vertical measurements are from top of fireplace hood opening to bottom of mantel shelf.

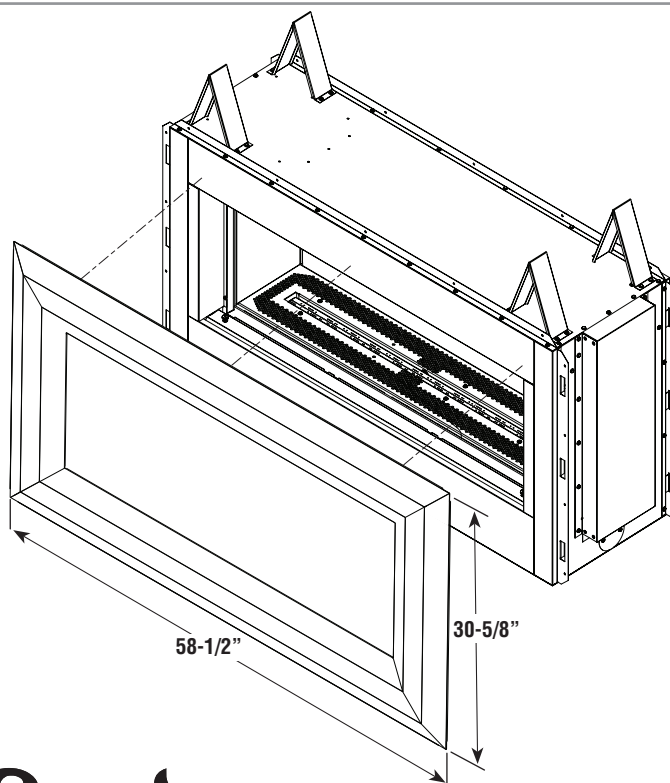


Side Wall Clearance



Facade Dimensions

Optional Facade Kits		
Cat. No.	Model	Description
F1036	DFT43B	Decorative Face Trim, Black
F1037	DFT43AS	Decorative Face Trim, Aged Silver
F1038	DFT43AC	Decorative Face Trim, Aged Copper



Specifications and clearances are subject to change without notice. Refer to Installation Manual before installation of these appliances for updated dimensions and instructions.

NOTE: DIAGRAMS & ILLUSTRATIONS ARE NOT TO SCALE.

Printed in U.S.A. © 2016 Innovative Hearth Products
P/N 900699-01 REV. B 07/2018

