

## INSTALLATION INSTRUCTIONS FOR HEATFLO™ KITS

[FOR USE WITH THE FOLLOWING FIREPLACES: ASTRIA EPSILON LX SERIES & OMEGA DLX SERIES; SUPERIOR VRL3000 SERIES & VRL6000 SERIES]

### KIT CONTENTS

- 1 ea. Register Assembly
- 1 ea. Register Trim
- 4 ea. 4-1/2" x 24" Flex Pipe (stretches up to 70" in length)
- 2 ea. Register Support Bracket
- 20 ea. Screws
- 4 ea. Collar Mounting Plate
- 4 ea. Small Collar (Epsilon LX and VRL3000 Models Only)
- 4 ea. Large Collar
- 1 ea. Fireplace Hood (Epsilon LX and VRL3000 Models Only)
- 1 ea. Convection Deflector (Omega DLX and VRL6000 Models Only)
- 1 ea. Non-Combustible Board
- 32 ea. Self-Tapping Screws

### TOOLS NEEDED (NOT SUPPLIED)

- Electric Drill/Driver Gun
- Phillips Screwdriver Bits
- 5/16 Nut Driver
- 3/8 Nut Driver
- Wood Screws
- Tin Snips

HeatFlo™ Kit		
Cat. No.	Model Number	Kit Name
F4760	HTFLO-VF45	HeatFlo Kit for 45" Units
F4761	HTFLO-VF55	HeatFlo Kit for 48" & 55" Units

### GENERAL INFORMATION

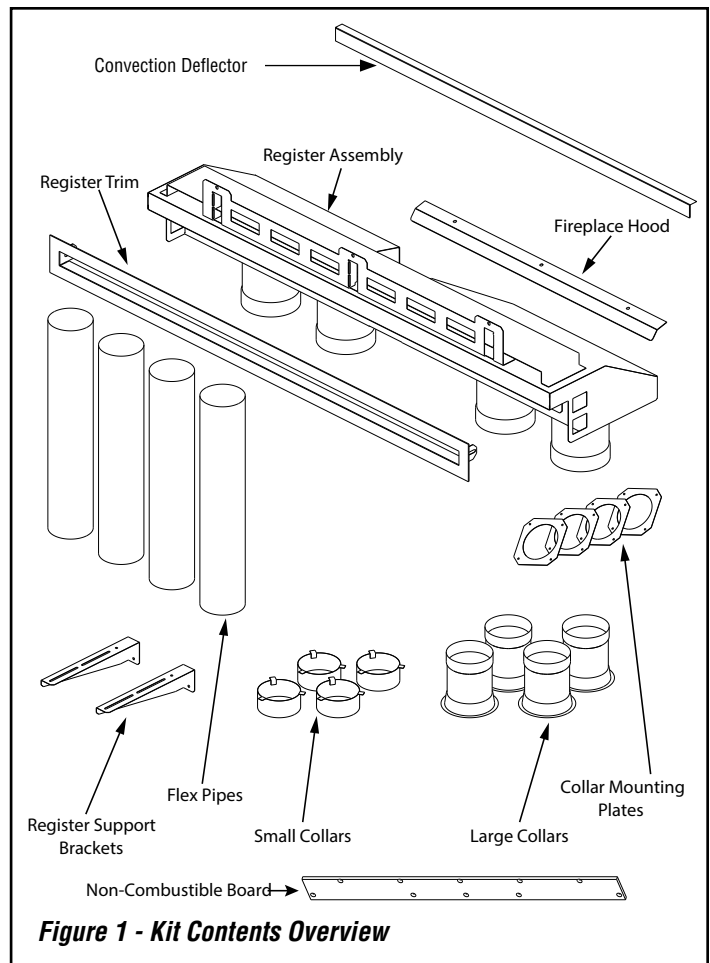
The HeatFlo™ system is designed to redirect the convective heat of the fireplace from the front of the unit to a location higher on the wall. The use of this kit allows for TV installations closer to the fireplace or in recessed wall cavities above the fireplace (see **Tables 1 and 2, Page 3**).

When Installing this kit, reference the framing dimensions and follow the framing instructions shown on the fireplace installation instructions. Follow all other installation requirements for the fireplace as detailed in the installation manual.

**REFER TO INSTALLATION INSTRUCTIONS AND CARE AND OPERATIONS MANUAL (IICO) FOR FRAMING DETAILS BEFORE INSTALLING THIS KIT.**

**ALL WARNINGS AND PRECAUTIONS IN THE INSTALLATION AND OPERATION MANUAL PROVIDED WITH THE FIREPLACE APPLY TO THESE INSTRUCTIONS.**

**INSTALLER:** Leave these instructions with the appliance.  
**CONSUMER:** Retain these instructions for future reference.



**Figure 1 - Kit Contents Overview**

### **⚠ WARNING**

**This kit must be installed by a qualified installer, service agency, or gas supplier at the time of the fireplace installation. These instructions must be used in conjunction with the installation and operation manual provided with the fireplace.**

### **⚠ WARNING**

**This kit requires a minimum of 6" of non-combustible material above the full width of vent opening.**

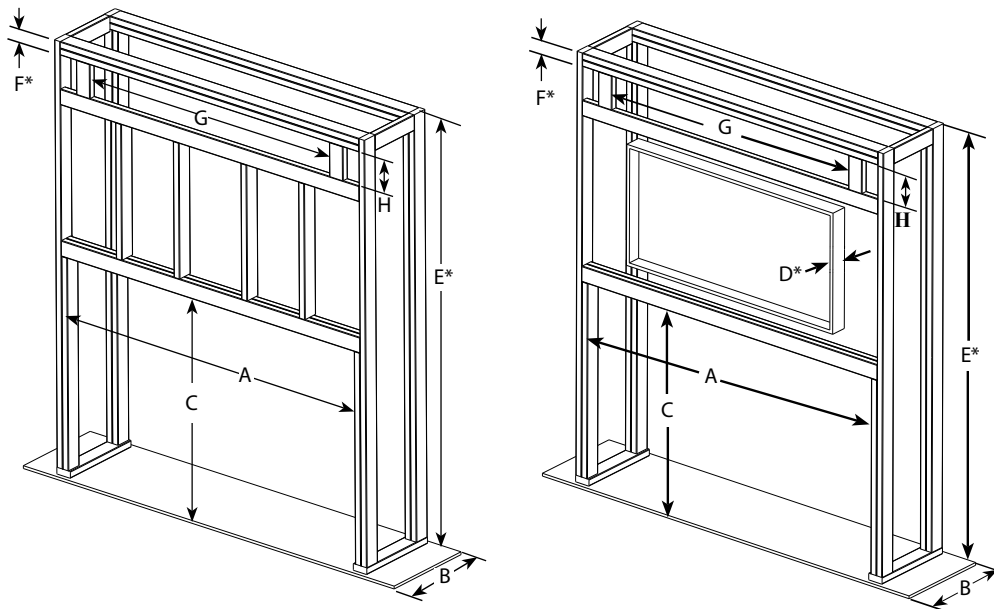
## IMPORTANT NOTICE

Most television manufacturers instruct the homeowner to not place the television above a heat source. Doing so may negatively affect the longevity of the television and may negate the warranty. If you do place a television above the fireplace, please be aware of the large amount of heat generated by the fireplace and consider placing the television above the fireplace at 18" minimum on a flush wall and at 18" for a recessed installation for Epsilon LX and VRL3000 Series models, and 22" minimum on a flush wall and at 18" for a recessed installation for Omega DLX and VRL 6000 Series models, to reduce the amount of heat that reaches the television. The homeowner must understand that IHP does not take responsibility for any negative impact to televisions placed near this fireplace.

## ⚠ WARNING

Ensure clearances to combustibles are maintained when building a mantel or shelves above the fireplace.

Elevated temperatures on the wall or in the air above the fireplace can cause melting, discoloration or damage to decorations, a television (TV) or other electronic components.



with HeatFlo Kit  
for Flush Wall

with HeatFlo Kit  
for Recessed Wall Pocket

### Framing Dimensions - Inches (millimeters)

Models	A	B	C	D*	E*	F*	G	H
45"	45-7/8 (1165)	18 (458)	29 (737)	3-1/2 (89)	81-1/2 (2070)	3-1/2 (89)	43-1/2 (1105)	5-1/8 (130)
48" One-Sided	55-5/8 (1413)	19-1/2 (496)	39-1/8 (994)	3-1/2 (89)	84 (2134)	3-1/2 (89)	53-1/2 (1359)	5-1/8 (130)
48" See-Thru	55-5/8 (1413)	18-1/2 (469)	39-1/8 (994)	3-1/2 (89)	84 (2134)	3-1/2 (89)	53-1/2 (1359)	5-1/8 (130)
55"	55-7/8 (1420)	18 (458)	29 (737)	3-1/2 (89)	81-1/2 (2070)	3-1/2 (89)	53-1/2 (1359)	5-1/8 (130)

D\* Maximum allowable depth  
E\* Minimum height from appliance base to ceiling

F\* Minimum distance from framed opening to ceiling

**NOTE:** Epsilon LX and VRL3000 Series models must be installed a minimum of 6" off floor if the optional surround is to be installed.

**Figure 2 - Fireplace Framing Dimensions For HeatFlo Installations - Flush Wall & Recessed Wall Pocket**

See **Tables 1 and 2** for TVs Installed above the fireplace:

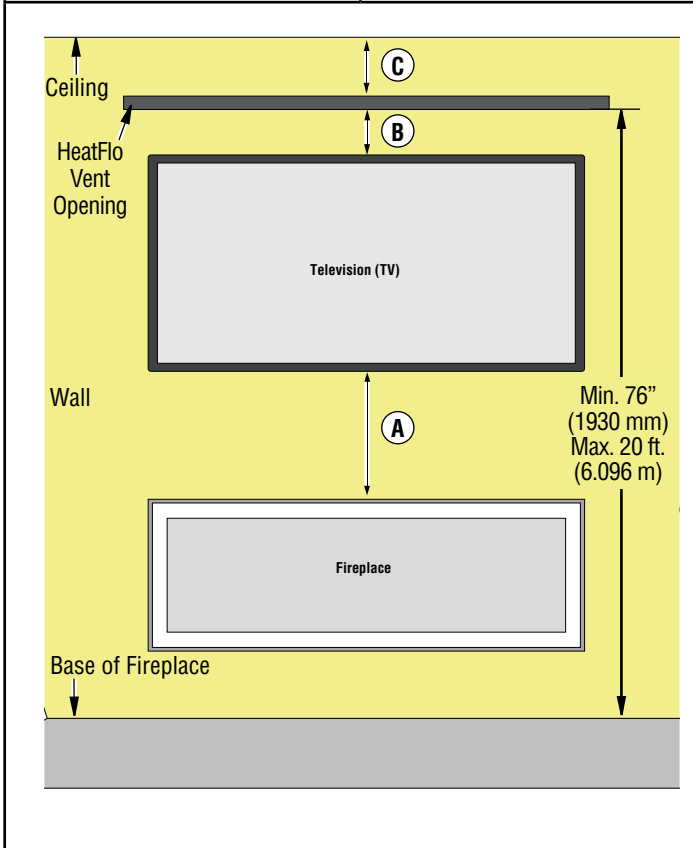
**WIRING NOTE:** If running wiring into the enclosure, use thermal insulating wrap around the wiring. Secure the wiring to protect from contact with hot surfaces.

**TVs should not be used in situations where the actual TV temperature exceeds the manufacturer's technical specification. Contact the TV manufacturer directly if you cannot locate this information or have questions regarding this information.**

**NOTE: Clearances to TV are provided only for guidance, please follow TV manufacturer's recommendation for installation.**

**Table 1 - Minimum Dimensions for Television (TV) Installed Above Fireplace (Flush Wall) when HeatFlo Kit is installed.**

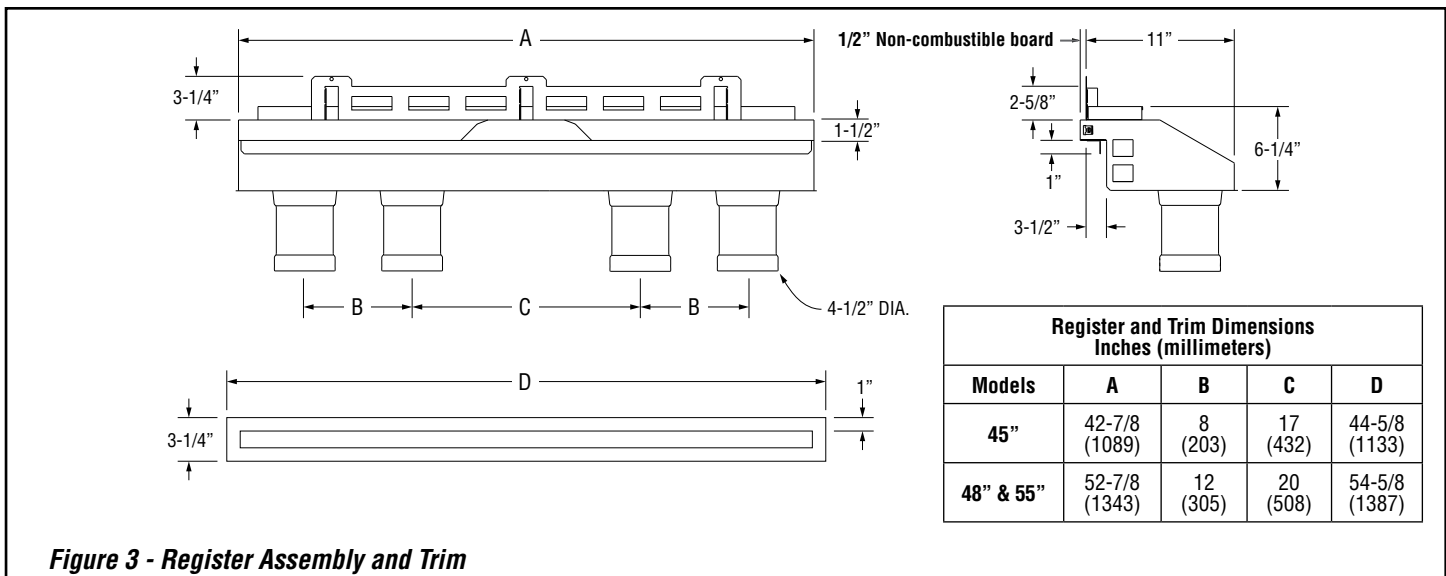
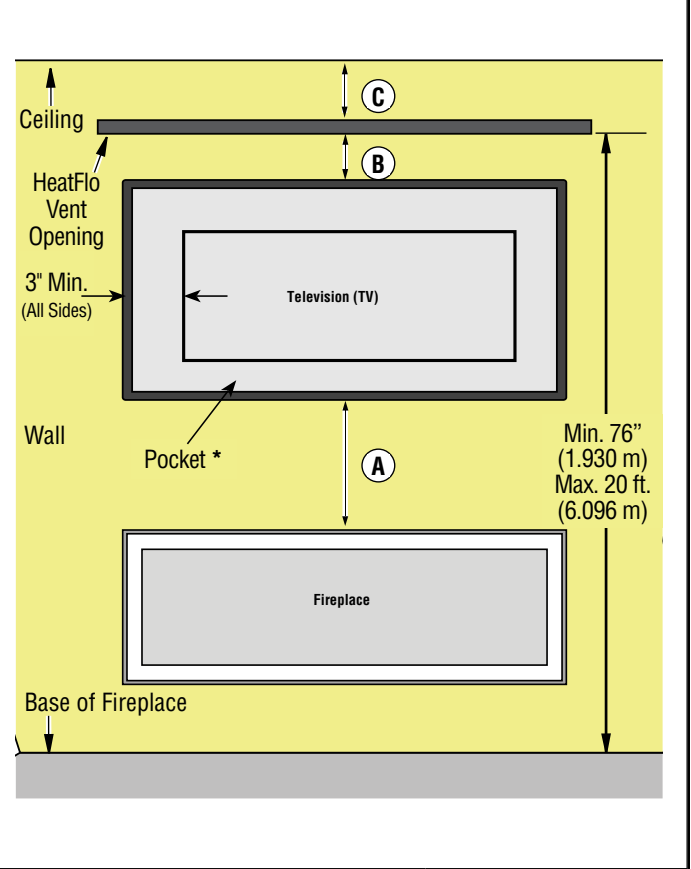
(A) TV Above Fireplace Opening (Min.)	Epsilon/VRL3000 - 18"
	Omega/VRL6000 - 22"
(B) TV Below Heat Vent Opening (Min.)	3" (77 mm)
(C) Vent Opening Below Ceiling (Min.)	6" (152 mm)



**Table 2 - Minimum Dimensions for Television (TV) Installed Above Fireplace on a Recessed Wall Pocket when HeatFlo Kit is installed.**

(A) Pocket Above Fireplace Opening (Min.)	18" (457 mm)
(B) Pocket Below Fireplace Opening (Min.)	5-1/2" (140 mm)
(C) Vent Opening Below Ceiling (Min.)	6" (152 mm)

\* NOTE: Maximum pocket depth is 3-1/2" (89 mm)



**Figure 3 - Register Assembly and Trim**

**NOTICE**

This kit must be installed by a qualified installer, service agency, or gas supplier at the time of the fireplace installation. These instructions must be used in conjunction with the installation and operation manual provided with the fireplace.

**! WARNING**

DO NOT cover or place objects in front of the heat register opening. AVOID locating heat register opening within 76 inches above floor level as discharge temperatures are hot!

**! WARNING**

Minimum clearances below the ceiling is 6". Note that staining or streaking may occur on light colored ceilings to any dust, etc. in air flow.

**FIREPLACE PREPARATION**

**NOTE:** the installation of the HeatFlo system must be done at the framing stage. Some work can be performed before the fireplace is placed in the framing, though installing the collars onto the fireplace must be done after to prevent interference with framing header when placing fireplace.

**NOTE:** Before the following steps are performed, it is recommended to prepare the fireplace top spacers and install the non-combustible fireboard standoffs. Refer to the fireplace installation instructions.

- 1a. Using a pair of tin snips, remove four knockouts in fireplace top and discard (**Figure 4A**).
- 2a. Remove four precut plugs in insulation between fireplace top and inner heat deflector (**Figure 4A**).
- 3a. Remove four knockouts from inner heat deflector (**Figure 4A**).
- 4a. Install fireplace into framing according to the fireplace installation instructions.
- 5a. Insert four small collars into knockout openings in fireplace top with tabs up (**Figure 5A**). Tabs should be resting on fireplace top.
- 6a. Place four large collars with flange down on fireplace top aligned with small collars (**Figure 5A**).
- 7a. Place four collar mounting plates over large collars and attach with screws provided (**Figure 5A**).
- 8a. Complete fireplace preparation by removing flat hood from convection opening and replace with angled hood provided (**Figure 6A**).

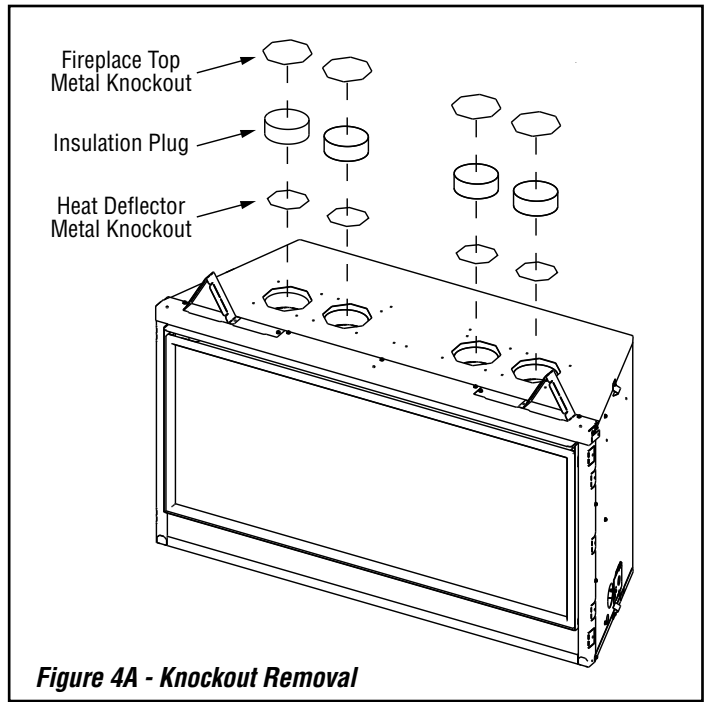


Figure 4A - Knockout Removal

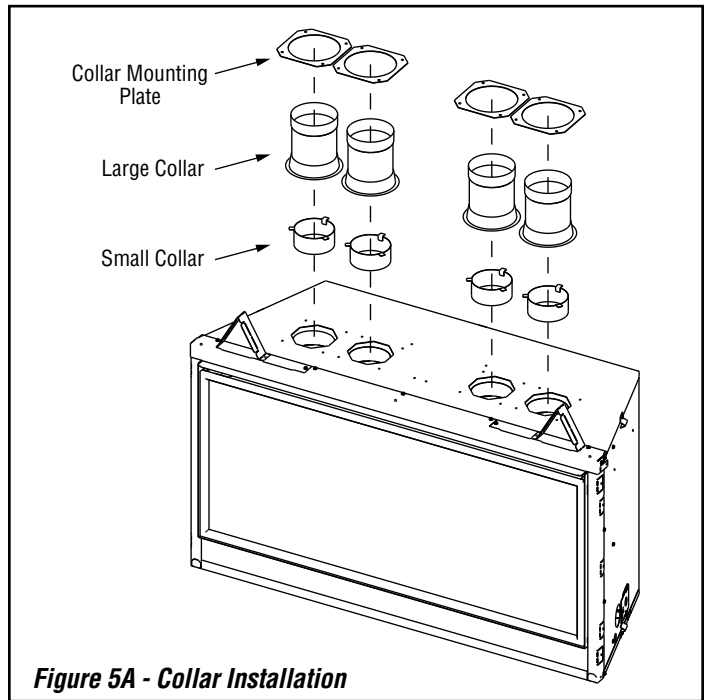
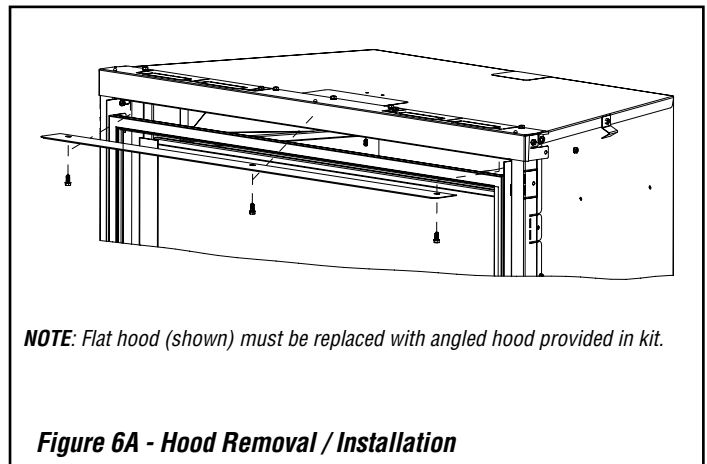


Figure 5A - Collar Installation



**NOTE:** Flat hood (shown) must be replaced with angled hood provided in kit.

Figure 6A - Hood Removal / Installation

**NOTICE**

This kit must be installed by a qualified installer, service agency, or gas supplier at the time of the fireplace installation. These instructions must be used in conjunction with the installation and operation manual provided with the fireplace.

**! WARNING**

DO NOT cover or place objects in front of the heat register opening. AVOID locating heat register opening within 76 inches above floor level as discharge temperatures are hot!

**! WARNING**

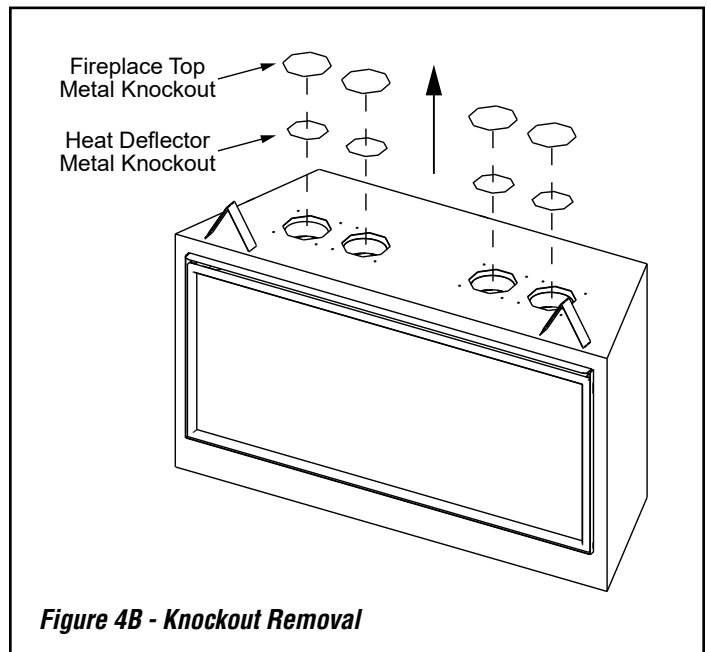
Minimum clearances below the ceiling is 6". Note that staining or streaking may occur on light colored ceilings to any dust, etc. in air flow.

**FIREPLACE PREPARATION**

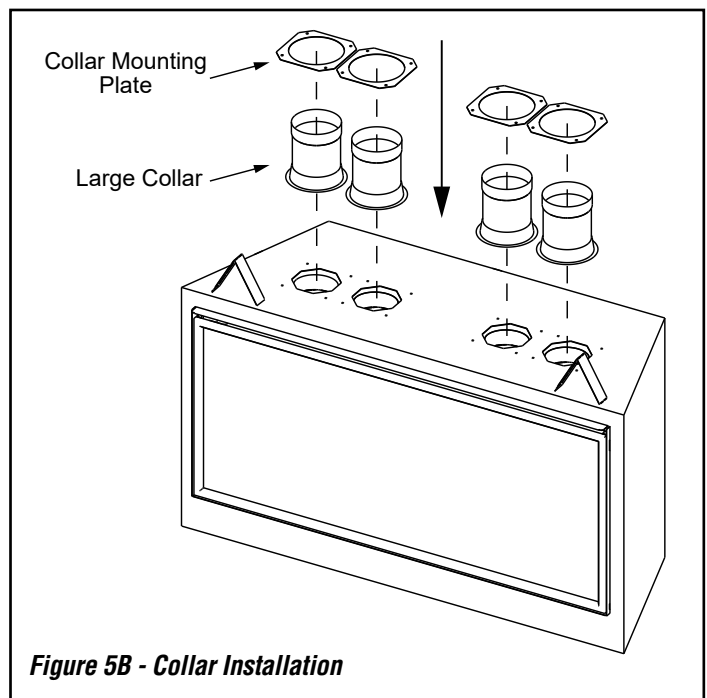
**NOTE:** the installation of the HeatFlo system must be done at the framing stage. Some work can be performed before the fireplace is placed in the framing, though installing the collars onto the fireplace must be done after to prevent interference with framing header when placing fireplace.

**NOTE:** Before the following steps are performed, it is recommended to prepare the fireplace top spacers and install the non-combustible fireboard standoffs. Refer to the fireplace installation instructions.

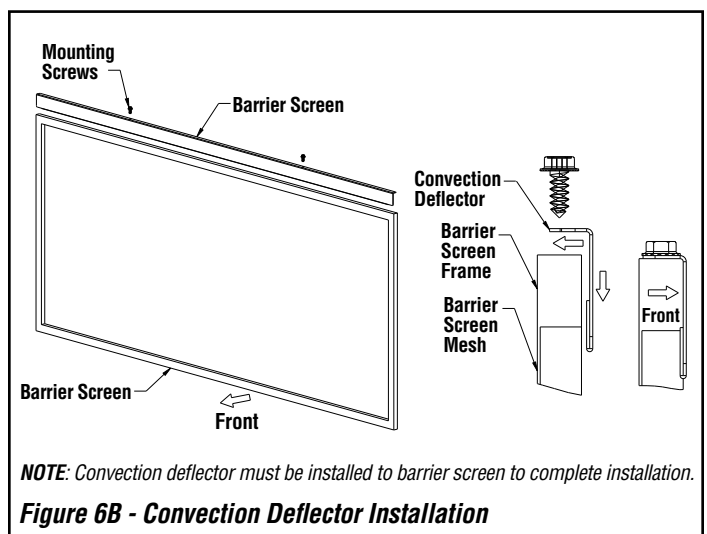
- 1b. Using a pair of tin snips, remove four knockouts in fireplace top and discard (**Figure 4B**).
- 2b. Remove four knockouts from inner heat deflector (**Figure 4B**).
- 3b. Install fireplace into framing according to the fireplace installation instructions.
- 4b. Place four large collars with flange down on fireplace top (**Figure 5B**).
- 5b. Place four collar mounting plates over large collars and attach with screws provided (**Figure 5B**).
- 6b. Complete fireplace preparation by installing the convection deflector to the barrier screen. While steadying the barrier screen, firmly place the convection deflector onto the barrier screen frame so that the downward bend is on the opposite side of the screen mesh, and centered left to right (a clamp may be used if necessary to hold tight against the frame). Firmly drill the provided screws through the holes in the deflector into the barrier screen frame. Reinstall the barrier to the fireplace with the deflector on the outward facing side (**Figure 6B**).



**Figure 4B - Knockout Removal**



**Figure 5B - Collar Installation**



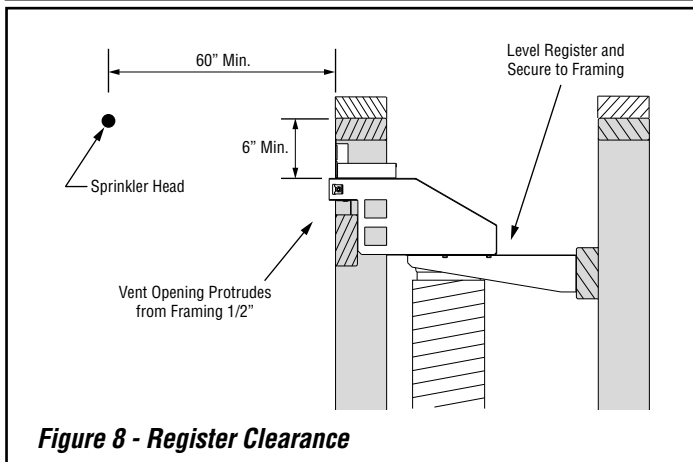
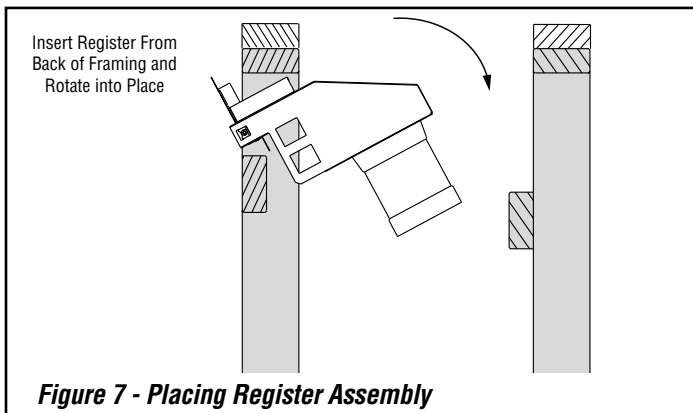
**NOTE:** Convection deflector must be installed to barrier screen to complete installation.

**Figure 6B - Convection Deflector Installation**

## HEATFLO INSTALLATION

1. Mount the register into the framed opening by tilting forward and inserting from the back while rotating into place with register resting on lower stud of framed opening (**Figures 7 and 8**).
2. Attach register top mounting flange to top of framed opening using screws (**Figure 10**)  
**NOTE:** Top mounting flange is not intended to carry all the weight. The register rests on the lower stud of the framed opening and support brackets.
3. Ensure the register is leveled and its outlet is not distorted, then secure using support brackets (**Figures 8 and 9**). Support brackets must be secured to both register and framing.
4. With fireplace and register fully secured, attach the provided flex pipes to the collars on fireplace and secure with provided gear clamps (**Figure 11**).
5. Stretch flex pipe to slightly less than desired length.
6. With the flex pipes attached to fireplace, connect the flex pipes to register collars and secure with provided self-drilling screws. (4) per connection, equally spaced around the pipe (**Figures 11 and 12**).
7. Attach non-combustible board above vent opening.
8. After wall finishing and facing details are completed, attach trim to register on both sides with provided screws.

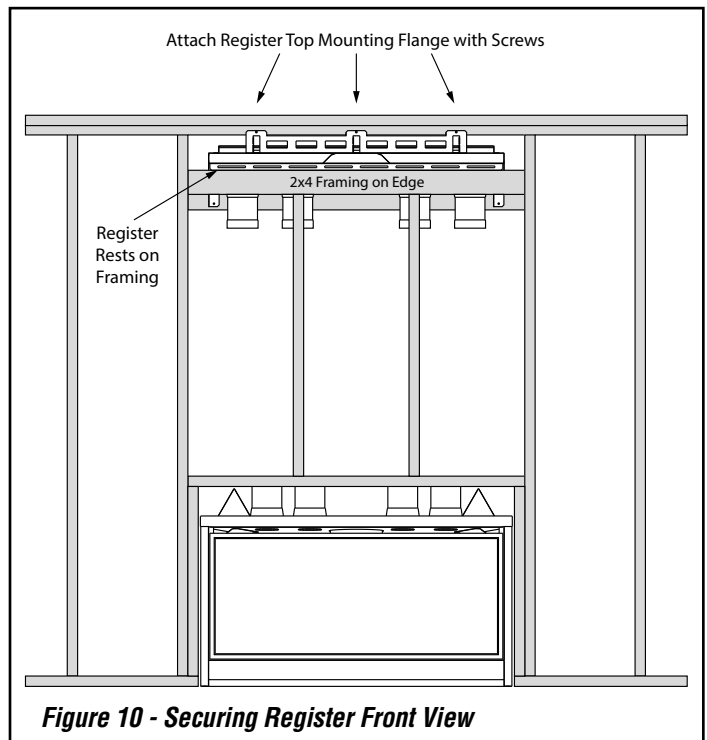
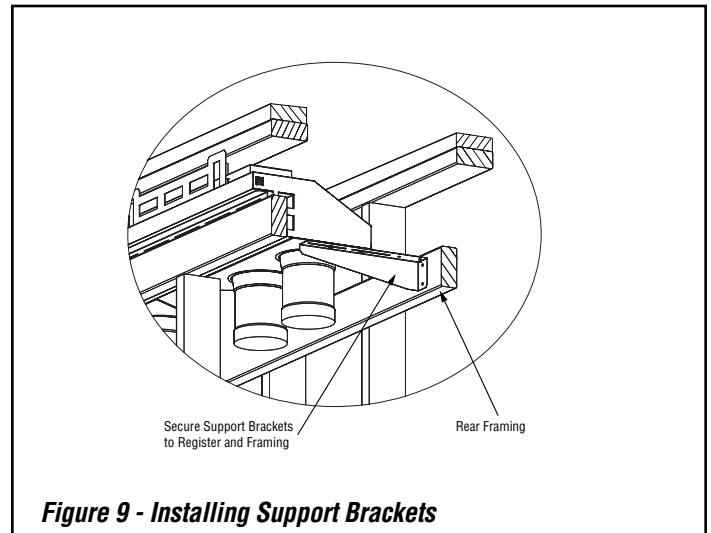
**CAUTION:** Flex pipe should be stretched out from its compressed state before installation. DO NOT over stretch the Flex. Make sure the flex pipe is slightly loose (but not sagging) when installed to allow for expansion and contraction. Flex pipe must not come in contact with combustible materials. Excessively loose flex could contact combustible materials and cause a fire hazard.

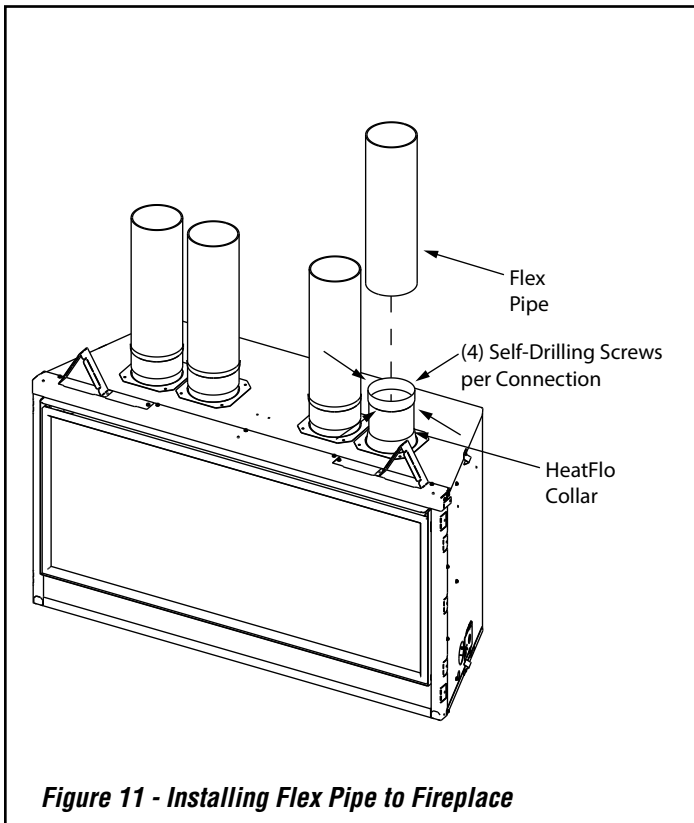


## NOTES:

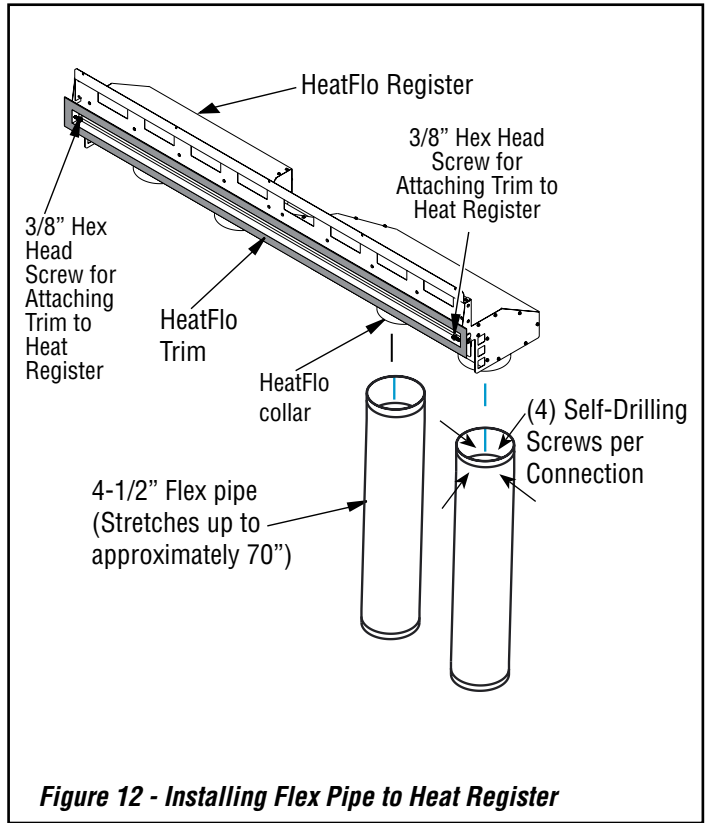
- DO NOT SLICE OR RUPTURE FLEX PIPES!
- Flex pipe stretches up to 2.9 times its compressed length (i.e., 24" long pipe will stretch to approximately 70" maximum).
- Minimum allowed distance from base of fireplace to register vent opening is 76". Maximum is 20ft.
- Maintain 1" min. clearance to combustibles around flex pipes.
- Keep flex pipes as vertical as possible to maintain airflow.
- Do not let flex pipes contact fireplace venting.
- **NOTE:** Trim has 1" of adjustment to allow for different thickness of facing materials.

**WIRING NOTE:** Do Not let flex pipes come in contact with any type of wiring.

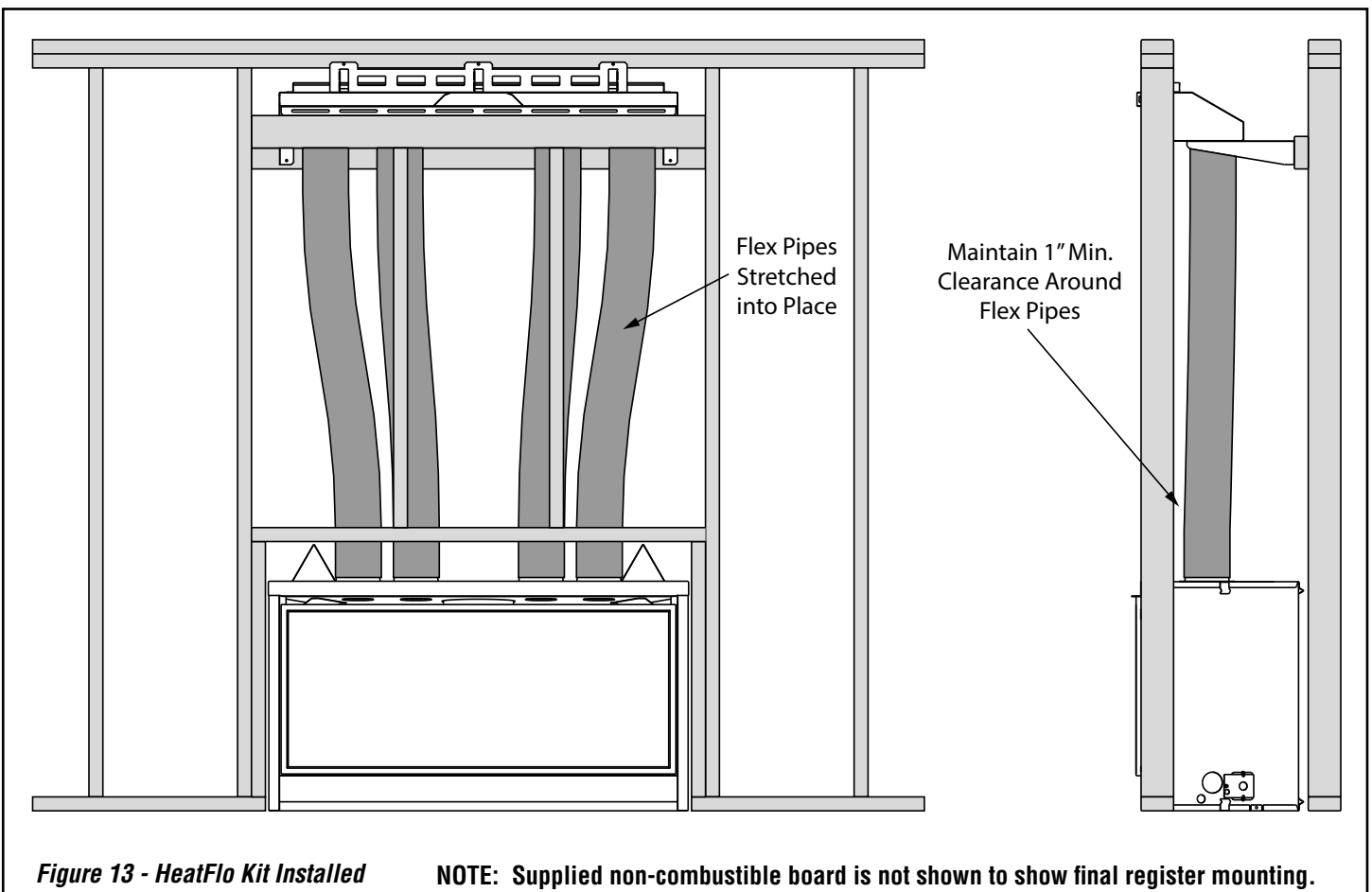




**Figure 11 - Installing Flex Pipe to Fireplace**



**Figure 12 - Installing Flex Pipe to Heat Register**



**Figure 13 - HeatFlo Kit Installed**

**NOTE: Supplied non-combustible board is not shown to show final register mounting.**

**CAUTION: Flex pipe should be stretched out from its compressed state before installation. DO NOT over stretch the Flex. Make sure the flex pipe is slightly loose (but not sagging) when installed to allow for expansion and contraction. Flex pipe must not come in contact with combustible materials. Excessively loose flex could contact combustible materials and cause a fire hazard.**

## FINISHING FIREPLACE

The appliance is designed to mate with 1/2" wall sheathing materials such as drywall, plywood, wood composites, or non-combustible materials. 6" non-combustible material must be installed above HeatFlo Register.

### Finishing and Sealing Joints

All joints between the finished wall sheathing and the appliance must be sealed with non-combustible materials. Sealants, such as caulk or mastic used to seal the gap between the wall and the fireplace, should be rated at a minimum continuous exposure to 300 °F.

### Finishing Around Opening with Gypsum Wallboard

Gypsum wallboard (drywall) joints adjacent to the HeatFlo register opening, including the non-combustible board above it, require special attention to minimize cracking. When installing gypsum wallboard around the register opening, install the hole for the opening in a single wallboard sheet, if possible. This will minimize the joints adjacent to the register opening.

Tape wall board joints around the register opening with fiberglass-mesh tape. It will provide a more crack-resistant joint than paper tape. Fill, smooth and finish wall joints with chemically setting-type joint compound. It will provide a more crack-resistant joint than air-drying light-weight compound.

**NOTE:** NEVER install combustible material (wall finish, surround, trim, etc.) on, in front of, or overlapping any part of the fireplace front face or HeatFlo Register.

**NOTE:** The HeatFlo Register Trim ships from the factory painted black and it may be painted another color to match the wall color. Use high temperature paint with a minimum 400°F continuous rating. Do not finish over any of the opening in the trim outlet.

NOTE: DIAGRAMS & ILLUSTRATIONS NOT TO SCALE.

---

Innovative Hearth Products (IHP) reserves the right to make changes at any time, without notice, in design, materials, specifications, prices and also to discontinue colors, styles and products. Consult your local distributor for fireplace code information.



Printed in U.S.A. © 2022 Innovative Hearth Products

P/N 901155-00 REV. B 11/2022