

**RH PETERSON CO.**  
**WALL SWITCH AND MECHANICAL TIMER**  
**INSTALLATION INSTRUCTIONS**

**OWNER'S**  
**MANUAL**

**GENERAL**

Installed on the following Peterson products:

- Pilot Kits -
- APK-10(M)(P)
  - APK-11(M)(P)
  - EPK-01(M)(P)

Burner Systems -  
(w/Remote Compatible Valves)

- G45 SERIES
- G46 SERIES
- G8 SERIES
- G9 SERIES
- G10 SERIES
- G18 SERIES

**INSTALLER:** Please leave these instructions with the consumer.

**CONSUMER:** Please retain for future reference.

(For baseboard wall)



**Wall switch**  
**(WS-1)**



**Mechanical timer**  
**(WS-2)**

**MODELS WS-1 and WS-2 WALL SWITCH AND TIMER**

**WARNING**

If the information in this manual is not followed exactly, a fire or explosion may result, causing property damage, personal injury, or loss of life.

Do not store or use gasoline or other flammable vapors and liquids in the vicinity of this or any other appliance.

**FOR YOUR SAFETY**

If you smell gas:

1. Extinguish any open flame; open windows.
2. Don't use electrical switches or your phone.
3. Immediately call your gas supplier from a neighbor's phone.
4. If you cannot reach your gas supplier, call the fire department.

Installation and service must be performed by a qualified professional installer, service agency, or the gas supplier.

**INSTALLER & CONSUMER**

These instructions **MUST** be retained with this appliance.

**Important:** READ THESE INSTRUCTIONS CAREFULLY BEFORE STARTING THE INSTALLATION OF YOUR LOG SET AND CONTROL.

YOUR PETERSON LOG SET IS TO BE BURNED ONLY IN A FULLY VENTED, NONCOMBUSTIBLE FIREPLACE WITH DAMPER AND CHIMNEY FREE OF ANY OBSTRUCTIONS. THE FIREPLACE MUST BE DESIGNED AND APPROVED TO BURN WOOD. Like burning natural firewood, your Peterson log set is designed to burn with a yellow smoky flame. For this reason, it must be adequately vented. *Be sure your fireplace damper is fully open when you burn your gas log set.* The smallest dimension of the chimney flue must be at least 8". If it is smaller, DO NOT USE A PETERSON LOG SET. If fumes from the burner emerge into the room when the damper is fully open, creating a smell like a smoldering oil lamp, it indicates that the fireplace draft is defective. Check the chimney flue for obstructions. DO NOT OPERATE LOGS UNTIL THE FIREPLACE DRAFT IS CORRECTED. Check with your dealer or installer. Do not use firewood with this unit.

# INSTALLATION AND OPERATING INSTRUCTIONS

Be sure all cautions and warnings are observed in your APK and burner system installation and operating instructions.

## INSTALLATION

1. Select a location for the wall switch/mechanical timer near the fireplace and between the wall studs (see Fig. 2-2). To ensure sufficient millivoltage between the wall switch/mechanical timer and the pilot generator, **no more than 15' of wire should be used between the wall switch/mechanical timer and the safety valve.**

**Note:** Safety valve is supplied in the Peterson APK and burner systems.

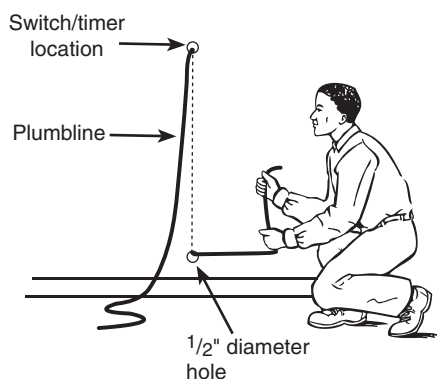


Fig. 2-1

2. At the wall switch/mechanical timer location selected, cut out a clearance hole for direct wall or switch box mounting.
3. Tie about 6" of chain or a small weight to a cord to create a plumb line. Hang the plumb line from the wall switch/mechanical timer location to the top of the wall baseboard. Immediately below the wall switch/mechanical timer location, as indicated by the plumb line, drill a 1/2" to 3/4" hole (see Fig. 2-1).

**Note:** Do not hook up electricity to this unit (millivolts only).

4. Lower the plumb line through the switch/timer location hole, within the stud space, down to the baseboard level. Pull the chain or the weight out of the 1/2" to 3/4" hole at the baseboard using a stiff hooked wire (a bent wire coat hanger works well).

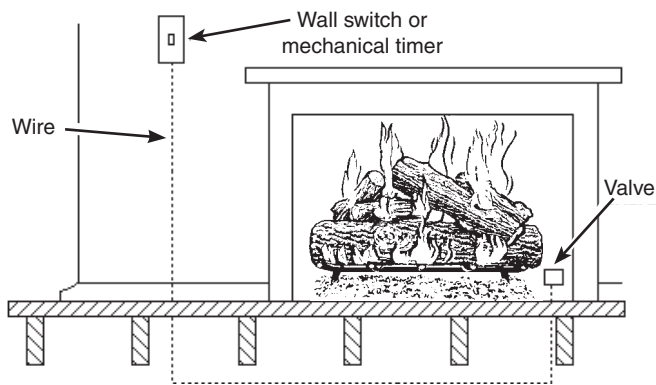


Fig. 2-2

5. Remove the weight or the chain from the plumb line. Tie one end of the wire cable to the plumb line and pull the plumb line back up through the wall switch/mechanical timer location to expose several inches of wire.
6. **For the wall switch**, attach the wire to the side terminal screws, connecting one spade clip to each terminal screw. Tighten the terminal screws securely (see page 3). **For the timer**, pass the wires into the connection chamber (see Connecting Mechanical Timer, Fig. 3-1, page 3), ensuring they go through into the second chamber. Using the screw with pressure plate, securely fasten wires into place.
7. Attach the wall switch/mechanical timer to a switch box.
8. Attach the wall cover to the wall switch/mechanical timer with the 1/4" machine screws.
9. **MECHANICAL TIMER ONLY:** Attach the mechanical timer face cover to the wall cover using the face cover nut provided. Align knob and press in place.
10. Remove the unattached female connectors located on the outside male connectors of the toggle switch control (Fig. 3-1). Strip approximately 1/4" of insulation from the end of the wire at the baseboard (Fig. 2-1). Crimp the unattached female connectors onto the stripped wire.
11. Run the wire with the female connectors to the toggle switch control. Attach the female connectors to the outside male connectors of the toggle switch control (Fig. 3-1).

**Note:** This unit does not require an outside electrical source (millivolt system only).

12. The toggle switch control must be in the **OFF** position in order to operate the wall switch/mechanical timer.

## OPERATING YOUR PETERSON GAS LOG SET WITH THE WALL SWITCH OR MECHANICAL TIMER

### Wall Switch:

To turn on your log set with the wall switch, turn the wall switch to the **ON** position and the log set will light. To turn off your log set, turn the wall switch to the **OFF** position. The log set will extinguish and the pilot will remain lit.

### Mechanical Timer:

To turn on your log set with the mechanical timer, turn the timer knob clockwise to the time setting desired. The timer will keep your log set lit for up to 60 minutes. Following the expiration of the time set, your log set will extinguish and the pilot will remain lit.

**FOR YOUR SAFETY**, never leave your log set operating unattended.

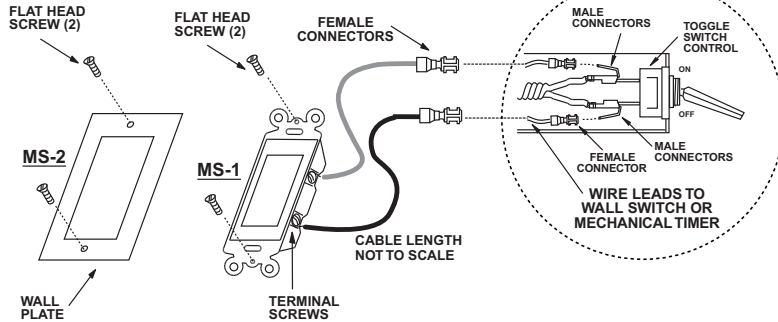
# CONNECTING WS-1 / WS-2 WIRE LEADS

## TOGGLE SWITCH CONNECTION

1. Connect the two female connector wire leads from the wall switch/mechanical timer to the two male connectors on back of the toggle switch control (see Fig. 3-1). If there are no available male connectors, you will have to disconnect the toggle switch wires and connect the wall switch/mechanical timer to the back of the toggle switch. This will eliminate the use of the toggle switch and let you operate by the wall switch/mechanical timer only. You can also choose to cut and strip the wall switch/mechanical timer female wire leads and directly attach to the valve terminals (see Fig. 3-2).

Fig. 3-1

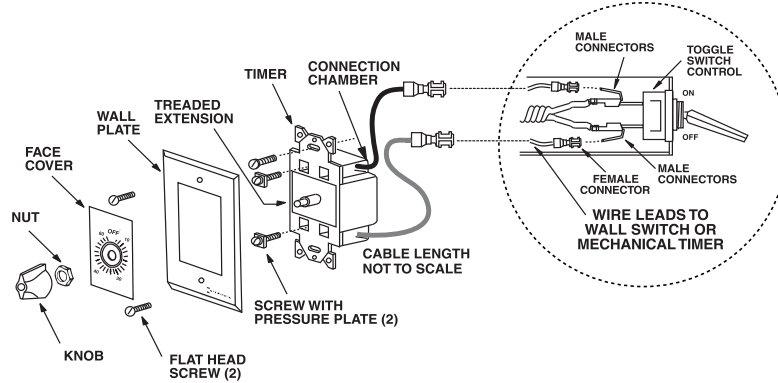
### CONNECTING WALL SWITCH WS-1



### WALL SWITCH INCLUDES:

- 1 - Wall plate
- 4 - Flat head screws- MS-1 (2), MS-2 (1)
- 1 - Rocker switch- RS-1
- 1 - 15' 18GA lead wire

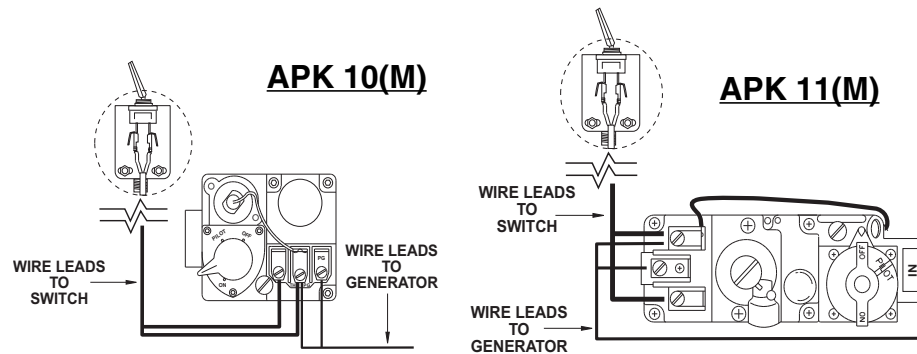
### CONNECTING WALL SWITCH WS-2



### MECHANICAL TIMER INCLUDES:

- 1 - Timer
- 1 - Knob
- 1 - 15' 18GA lead wire
- 1 - Nut
- 1 - Face cover
- 1 - Wall plate
- 2 - Flat head screws
- 2 - Screws with pressure plate

Fig. 3-2

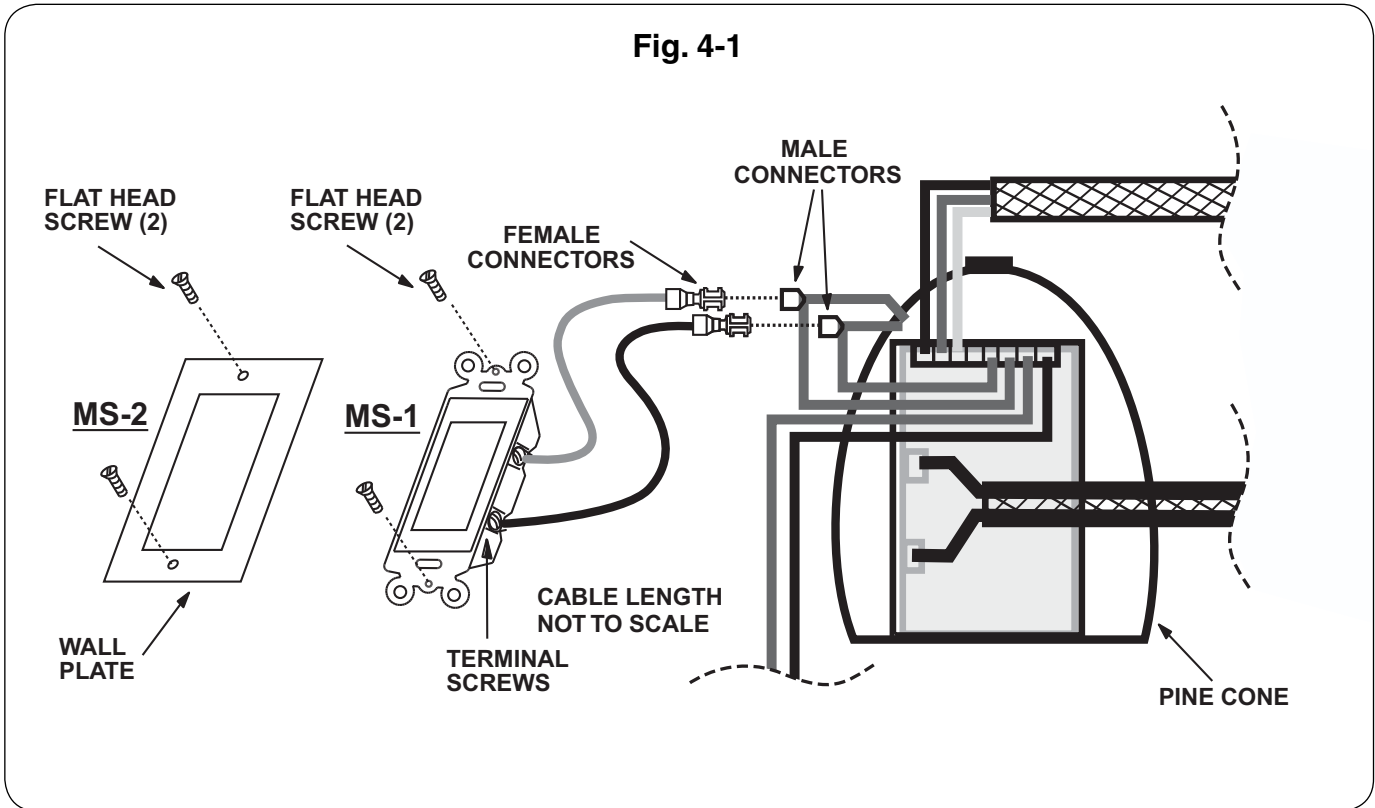


# CONNECTING WS-1 / WS-2 WIRE LEADS (CONT.)

## PINE CONE SWITCH CONNECTION

1. Connect the two female connector wire leads from the wall switch/mechanical timer to the two exposed male connectors coming out of the pine cone assembly (see Fig. 4-1).

Fig. 4-1



## TROUBLESHOOTING

Problem	Cause	Solution
1. Burner does not light when pressing the wall switch or turning the mechanical timer.	a. Loose wires	a. Check wire leads to the wall switch/mechanical timer and to the toggle switch. Make sure the fittings are tight.
2. Burner is on and will not shut off.	b. Toggle switch is in the <b>ON</b> position.  c. A short in the wires.	b. Toggle switch control needs to be in the <b>OFF</b> position when using the wall switch/mechanical timer.  c. Check wires for bare spots and the ends of the wires to see if they are touching.

# WARRANTY

## PETERSON VENTED GAS LOG SETS LIMITED WARRANTY

All Peterson gas logs are **WARRANTED for as long as you own them (lifetime)**.

All Peterson burner assemblies are **WARRANTED for TEN (10) YEARS**.

SPK-26 controls are covered by a **THREE (3) YEAR "All Parts" Warranty**.

All other Peterson valves, pilots, and controls are covered by a **ONE (1) YEAR Limited Warranty (excluding batteries)**.

### PLEASE KEEP A COPY OF YOUR SALES SLIP FOR PROOF OF PURCHASE

This warranty applies to the original purchaser and to single family residential use only. It commences from date of purchase, and is valid only with proof of purchase.

This warranty does not cover parts becoming defective through misuse, accidental damage, electrical damage, improper handling, storage, and/or installation. Product must be installed (and gas must be connected) as specified in the instructions or operator's manual, by a **qualified professional installer**. Accessories, parts, valves, remotes, etc., when used must be Peterson Co. product.

This warranty **does not** apply to rust, corrosion, oxidation, or discoloration, unless the affected component becomes inoperable. It **does not** cover labor or labor-related charges.

This warranty specifically excludes liability for **indirect, incidental**, or consequential damages. Some states do not allow the exclusion or limitation of incidental or consequential damages, so the above exclusion may not apply to you. This warranty gives you specified legal rights, and you may have other rights that may vary from state to state.

For additional information regarding this warranty, or to place a warranty claim, contact the R.H. Peterson dealer where the product was purchased.

**TO REGISTER YOUR PRODUCT ONLINE GO TO: [WWW.RHPETERSON.COM](http://WWW.RHPETERSON.COM),  
AND CLICK ON PRODUCT REGISTRATION. THANK YOU FOR YOUR PURCHASE.**