

Contemporary Front Kit

Models: I28BCF, IA32BCF, IA36BCF, A42BCF, L32BCF, L36BCF, L42BCF

This kit has been tested for use with specific Hearth & Home Technologies products. Check with your local building code agency before you begin installation to ensure compliance with local codes, including the need for permits and follow-up inspections. If you encounter any problems regarding code approvals, or if you need clarification of any of the instructions contained here, contact your Hearth & Home Technologies dealer. For the dealer nearest you, please visit www.hearth-home.com.

Contemporary Front Model No.	For Use on Models					
I28BCF	I28NIP-DS	I28NV-DS	I28PIP-DS	I28PV-DS		
IA32BCF	I32NIP-DS	I32NV-DS	I32PIP-DS	I32PV-DS	ACUF32-BD	ACUF32-GD
IA36BCF	I36NIP-DS	I36NV-DS	I36PIP-DS	I36PV-DS	ACUF36-BD	ACUF36-GD
A42BCF	ACUF42-BD	ACUF42-GD				
L32BCF	LCUF32CR-C	LCUF32CR-GT	LCUF32CR-GH	LCUF32CR-BT		
L36BCF	LCUF36CR-C	LCUF36CR-GT	LCUF36CR-GH	LCUF36CR-BT		
L42BCF	LCUF42CR-C	LCUF42CR-GT	LCUF42CR-GH	LCUF42CR-BT		

This Contemporary Front kit is designed for use on the models shown in the chart above. Read these instructions thoroughly before beginning installation.

CAUTION: Allow firebox to cool completely if it has been in operation.

Note: Finishing material (e.g.: stone/marble/brick, etc.) must be flush with the front of the firebox and not extend past. The firebox may be adjusted forward in the framing if needed.

KIT CONTENTS:

- (1) Top face
- (1) Right side face
- (1) Left side face
- (1) Bottom face
- (1) Lower Hood
- (18) #8 x 1/2" Screws

INSTALLATION INSTRUCTIONS

1. Remove all parts from package and arrange face down on a non-damaging surface such as a carpeted floor.
2. Align parts as shown in Figure 1.

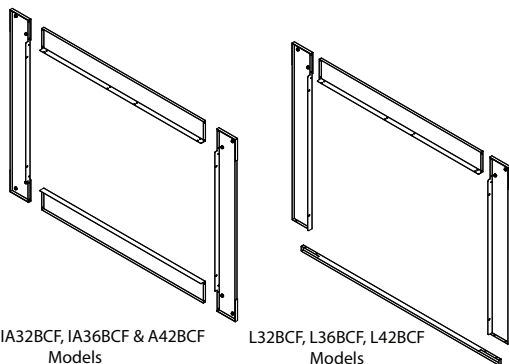


Figure 1

3. Assemble front parts together using #8 x 1/2" screws provided. See Figure 2.

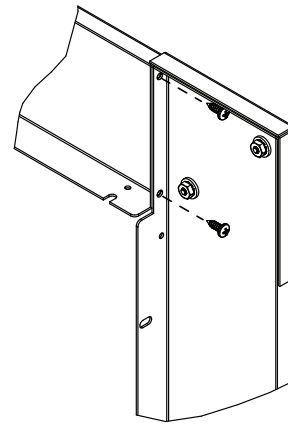


Figure 2

4. Remove firebox Hood. Locate and remove the (6) screws, (4 on the top and 1 on each end). See Figure 3. Set Hood aside.



Figure 3

5. Remove appliance screen front (if applicable).
6. Position Contemporary Front on appliance, as shown. Secure with (8) screws, (4 on the top and 2 on each side). See Figure 4.

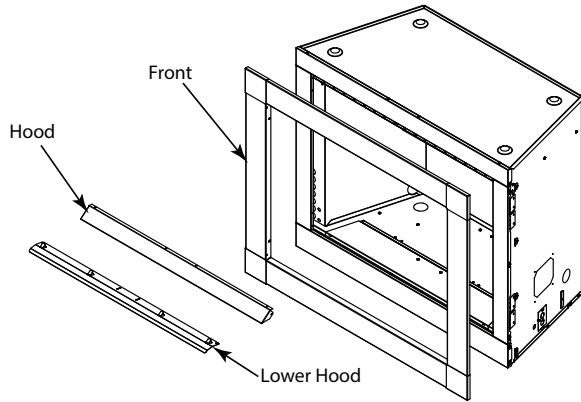


Figure 4

7. Reinstall Hood, into the (6) holes (4 on top and 1 in each end) provided on Contemporary Front.
8. Remove the (2) screws holding pull screen rods (if applicable). See Figure 5.

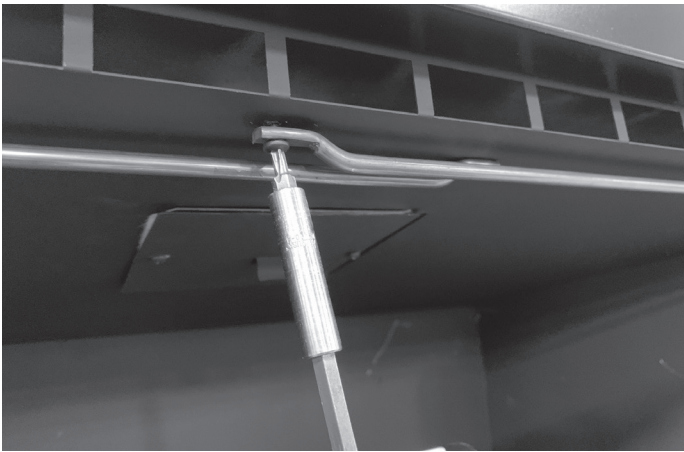


Figure 5

9. Bend (4) hand tabs on Lower Hood up at approximately 30 degrees. See Figure 6

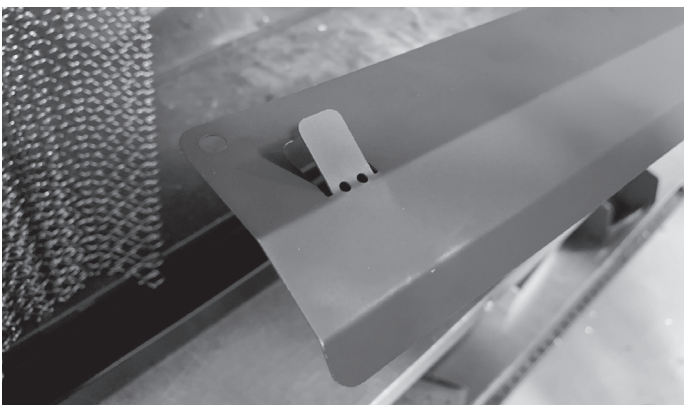


Figure 6

10. Position Lower Hood on front edge of firebox top, as shown. Secure the center of the hood with (2) screws provided. See Figure 7.

Note: Bent tabs should be on the top side of the firebox top.

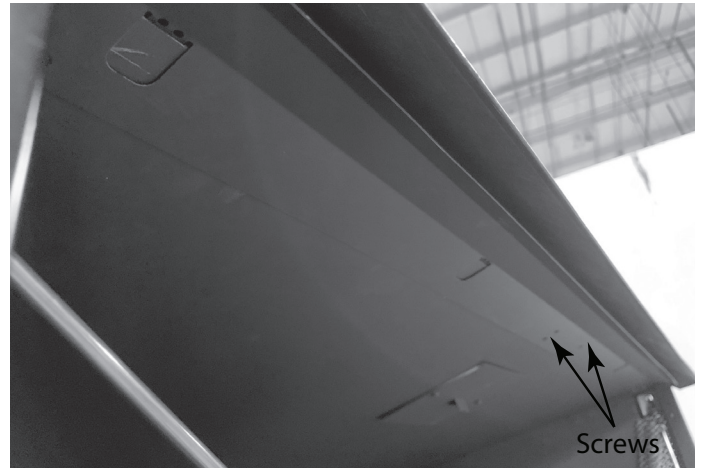


Figure 7

11. Reinstall pull screen rods (if applicable). See Figure 8.



Figure 8

Please contact your Hearth & Home Technologies dealer with any questions or concerns. For the location of your nearest Hearth & Home Technologies dealer, please visit www.hearthnhome.com.