



Accessory Face Installation Instructions

Model: AVFL42W(FBT-A/CSS-A)

(For use on AVFL42 gas fireplaces)

This accessory face kit is designed for use on the AVFL42 and AVFLST42 model fireplaces. Read these instructions thoroughly before beginning installation.

CAUTION: Allow fireplace to cool completely if it has been in operation.

NOTE: The AVFL42 unit must be raised at least 1.5 inches above the top surface of the finished floor when using the AVFL42WFBT-A or AVFL42WCSS-A wide contemporary face..

KIT CONTENTS:

- One (1) Top face
- One (1) Right side face
- One (1) Left side face
- One (1) Bottom face
- One (1) Access panel
- One (1) 1-1/8" Eyebrow (AVFL42WCSS-A)
- Eight (8) #8 x 3/4" Screws
- Four (4) #8 x 1/2" Hex Head screw
- Ten (10) #8 x 3/8" Truss-head screws (AVFL42WFTB-A)
- Ten (10) 8 - 18 x 1/2 SS Decorative screws (AVFL42WCSS-A)

INSTALLATION INSTRUCTIONS

1. Remove all parts from package and arrange face down on

a non-damaging surface such as a carpeted floor.

2. If installing the stainless steel surround (AVFL42WCSS-A), remove protective film on face before starting.
3. Align parts as shown in Figure 1. Slide left and right sides into the top face until sides are fully inserted. Slide the bottom face over the sides until fully inserted and fastener holes are aligned.
4. Screw face parts together using eight (8) #8 x 3/8" Truss-head screws included in the face kit, *Figure 2*, (If assembling WCSS model, use 8 18 x 1/2" SS screws.)
5. Install the supplied #8 x 3/4" screws into the bracket at each corner of the face to eliminate gaps that may be present on the front and sides of the face where parts meet. Do not over-tighten. The screw which is perpendicular to the face should always be installed first. *Figure 2*
6. Locate the two screws inside the bottom panel. See Figure 3. Tighten slowly only until gap is eliminated using supplied #8 x 3/8" .
7. Remove screen frame and access panel from fireplace. Refer to homeowner's manual.
8. Remove three screws from top interior fireplace opening.
9. Install face by inserting tabs on face into slots on front of firebox. Secure with four (4) supplied screws on both bottom tabs and both top tabs. Reinstall top three interior screws.

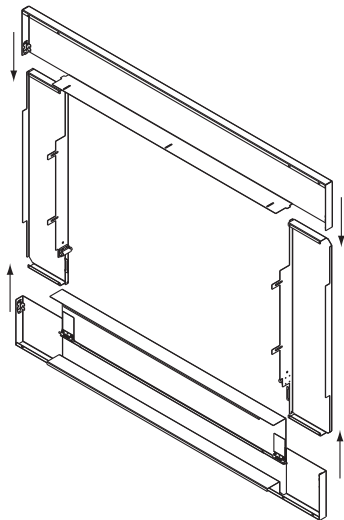


Figure 1

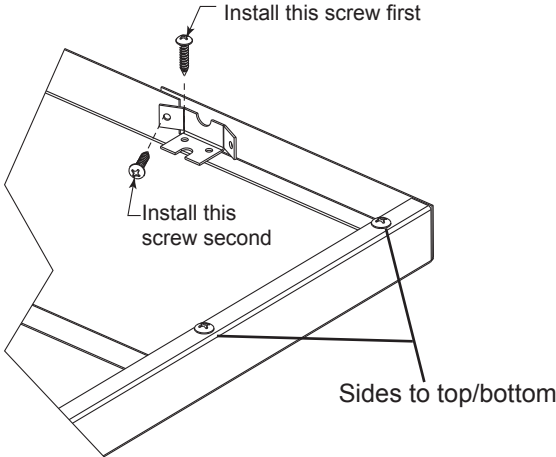


Figure 2

10. Reinstall original screen frame and the replacement access panel. *Figure 3*
11. Lower access panel opens from the bottom upwards and can be easily removed by pulling the spring hinge pins.
12. When installing this face on the AVFL42NTSC-SR the 1-1/8" eyebrow must be reinstated using three (3) #8x1/2" sheet metal screws. The eyebrow must be attached to the bottom side of the top face. See Figure 4. (If installing WCSS model, use 1-1/8" stainless steel eyebrow shipped with the kit.)

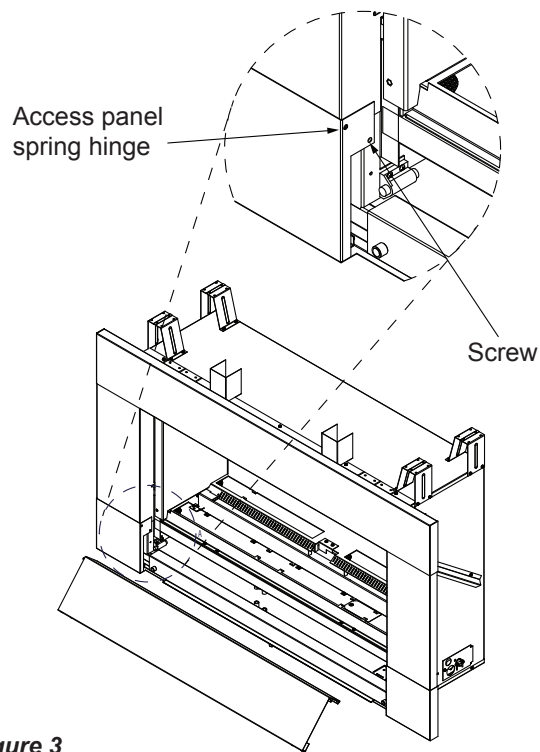


Figure 3

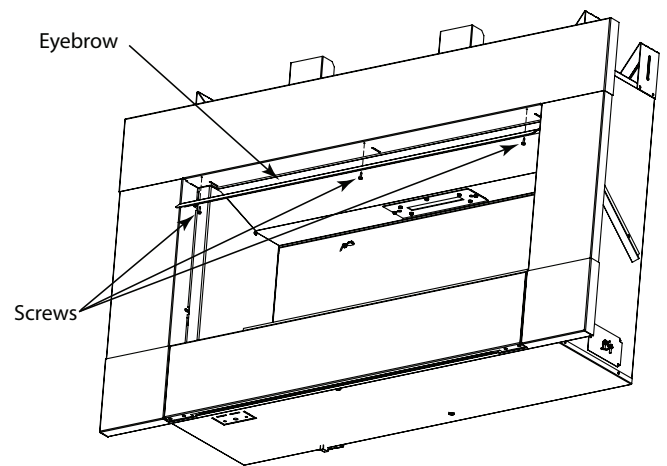


Figure 4

Monessen, a brand of Hearth & Home Technologies
7571 215th Street West, Lakeville, MN 50044
www.monessenhearth.com