

Owner's Manual

Care and Operation

INSTALLER: Leave this manual with party responsible for use and operation.

OWNER: Retain this manual for future reference.

Contact your dealer with questions regarding installation, operation or service.

NOTICE: DO NOT discard this manual!

**Artisan
Series**



Models:

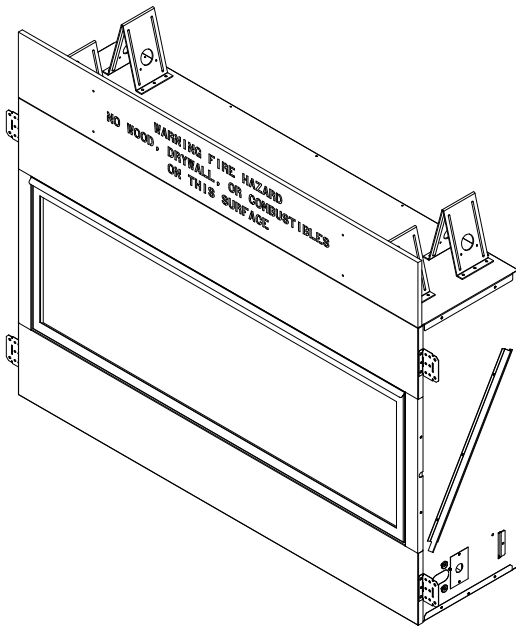
AVFL42NIF-BU/PIF-BU

AVFL42NIF-RB/PIF-RB

AVFL48NIF/PIF

AVFLST48NIF/PIF

AVFL60NIF/PIF



This appliance may be installed in an after-market, permanently located, manufactured (mobile) home, where not prohibited by local codes.

This appliance is only for use with the type of gas indicated on the rating plate. This appliance is not convertible for use with other gases.

▲ WARNING:
FIRE OR EXPLOSION HAZARD
Failure to follow safety warnings exactly could result in serious injury, death, or property damage.

- **DO NOT** store or use gasoline or other flammable vapors and liquids in the vicinity of this or any other appliance.
- **What to do if you smell gas**
 - **DO NOT** try to light any appliance.
 - **DO NOT** touch any electrical switch.
 - **DO NOT** use any phone in your building.
 - Leave the building immediately.
 - Immediately call your gas supplier from a neighbor's phone. Follow the gas supplier's instructions.
 - If you cannot reach your gas supplier, call the fire department.
- Installation and service must be performed by a qualified installer, service agency, or the gas supplier.

In the Commonwealth of Massachusetts installation must be performed by a licensed plumber or gas fitter.

See appliance installation manual for additional Commonwealth of Massachusetts requirements.

- **DO NOT** install this appliance in a bedroom or bathroom. Please refer to page 6 Section F of the Installation Manual for proper appliance placement.

This is an unvented gas-fired heater. It uses air (oxygen) from the room in which it is installed. Provisions for adequate combustion and ventilation air must be provided. Refer to page 6 of the Installation Manual.

▲ Safety Alert Key:

- **DANGER!** Indicates a hazardous situation which, if not avoided will result in death or serious injury.
- **WARNING!** Indicates a hazardous situation which, if not avoided could result in death or serious injury.
- **CAUTION!** Indicates a hazardous situation which, if not avoided, could result in minor or moderate injury.
- **NOTICE:** Used to address practices not related to personal injury.

Table of Contents

1 Welcome

- A. Congratulations 3
- B. Limited Lifetime Warranty 4

2 Product Specific Information

- A. Appliance Certification 6
- B. BTU Specifications 6

3 Important Safety and Operating Information

- A. Appliance Safety 7
- B. General Operating Parts 9
- C. Fuel Specifications 9
- D. Good Faith Wall Surface/TV Guidelines 10
- E. Before Lighting Appliance 12
- F. Lighting Instructions (IPI) 13
- G. Initial Use 14
- H. Heat Management 14
- I. Operation During A Power Outage 14
- J. Detailed Component Operating Instructions 15

4 Maintenance and Service

- A. Maintenance: Frequency and Tasks 18
- B. Maintenance Tasks: Homeowner 18
- C. Maintenance Tasks: Qualified Service Technician 18

5 Frequently Asked Questions and Troubleshooting

- A. Frequently Asked Questions 20
- B. Frequently Asked Questions - IntelliFire Touch® Controls (IFT2-RC450) 21
- C. Troubleshooting—Intellifire Touch® 2.0 Ignition System 22
- D. Troubleshooting—Screen/LEDs/Control Panel 24

6 Reference Materials

- A. Accessories 25
- ▶ B. Service Parts 26
- C. Massachusetts Residents Only 38
- D. Contact Information 39

<p>▲ WARNING! RISK OF FIRE OR EXPLOSION AND ASPHYXIATION HAZARD</p> <p>Improper adjustment, alteration, service, maintenance, or installation of this heater or its controls can cause death or serious injury.</p> <p>Read and follow instructions and precautions in User's Information Manual provided with this heater.</p>
--

➔ = Contains updated information.

1 Welcome

Read this manual before operating this appliance.
Please retain this Owner's Manual for future reference.

Read the Installation Manual before making any installation or finishing changes.

A. Congratulations

Congratulations and thank you for selecting a Monessen vent free gas appliance, an elegant and clean alternative to wood burning appliances. The gas appliance you have selected is designed to provide the utmost in safety, efficiency, and style.

As the owner of a new appliance, you'll want to read and carefully follow all of the instructions contained in this owner's manual. Pay special attention to all cautions and warnings.

This owner's manual should be retained for future reference. We suggest that you keep it with your other important documents and product manuals.

The information contained in this owner's manual, unless noted otherwise, applies to all models and gas control systems noted on the cover page.

Your new Monessen gas appliance will give you years of durable use and trouble-free enjoyment. Welcome to the Monessen family. We are glad you joined us!

Local Dealer Information

Dealer: Fill in your name, address, phone and email information here and appliance information below.

Dealer Name:	_____
Address:	_____ _____
Phone:	_____
Email:	_____

Appliance Information:

Brand:	_____	Model Name:	_____
Serial Number:	_____	Date Installed:	_____

Listing Label Information/Location

The model information regarding your specific appliance can be found on the rating plate usually located in the control area of the appliance.

Hearth & Home Technologies
7571 - 215th Street West
Lakeville, MN 55044

MODEL: *MODEL*

GAS TYPE: *GAS TYPE*

MFG. DATE: _____

Max. Input: *MAX. INPUT*

Min. Input: *MIN. INPUT*

Manifold Pressure: *MANIFOLD*

For Purpose of Input Adjustment:
Min. Supply Pressure: *INLET MIN*

Min. Supply Pressure: *INLET MIN*

Burn Orifice Size: *ORIFICE*

This unit complies with: ANSI Z21.11.2-(2019) Unvented Heaters.

SKU: *SKU*

SERIAL: _____

WARNING
Minimum clearances must be observed during the installation of this appliance.
Min. ceiling clearance: 36" from fireplace opening
Refer to the Installation Manual for installation options, diagrams, and other clearances.

WARNING
The fire screen or guard designed for this unvented appliance must be installed prior to operation.
This appliance is intended for supplemental heating.
This appliance shall not be field converted.

GAS-FIRED
UL
LISTED
MH62794

4099-994 rev B

Labels: **TYPE OF GAS**, **GAS AND ELECTRIC INFORMATION**, **MODEL NUMBER**, **SERIAL NUMBER**

B. Limited Lifetime Warranty

Hearth & Home Technologies LLC LIMITED WARRANTY

Hearth & Home Technologies LLC (“HHT”) extends the following warranty for HHT gas, wood, pellet and electric hearth appliances (each a “Product” and collectively, the “Product(s)”) and certain component parts set forth in the table below (“Component Part(s)”) that are purchased from a HHT authorized dealer or distributor.

WARRANTY COVERAGE:

HHT warrants that the Products and their Component Parts will be free from defects in materials and workmanship for the applicable period of Warranty coverage set forth in the table below (“Warranty Period”). If a Product or Component Parts are found to be defective in materials or workmanship during the applicable Warranty Period, HHT will, at our discretion, repair the applicable Component Part(s), replace the applicable Component Part(s), or refund the purchase price of the applicable Product(s). The maximum amount recoverable under this Warranty is limited to the purchase price of the Product. This Warranty is transferable from the original purchaser to subsequent owners, but the Warranty Period will not be extended in duration or expanded in coverage for any such transfer. This Warranty is subject to conditions, exclusions, and limitations as described below.

WARRANTY PERIOD:

Warranty coverage begins at the date of installation. In the case of new home constructions, Warranty coverage begins six months after invoice of the final sale of the Product(s) by an independent, authorized HHT dealer or distributor. However, the Warranty coverage shall commence no later than 24 months following the date of Product shipment from HHT, regardless of the installation or purchase date.

Warranty Period		HHT Manufactured Appliances and Venting					
Component Parts	Labor	Gas	Pellet	Wood	Electric	Component Parts Covered by this Warranty	
1 Year		X	X	X		All parts including handles, external enameled components and other material except as covered by Warranty Conditions, Warranty Exclusions, and Warranty Limitations listed	
2 Years					X	All parts except as covered by Warranty Conditions, Warranty Exclusions, and Warranty Limitations listed	
			X	X		Glass, Electrical components limited to heating element/igniters, Top feed auger assembly, Blowers, Junction Box, Remotes/Wall switches, linear actuator, power cord, vacuum switch, snap disc, wire harnesses and thermocouple	
		X				Electrical components limited to modules, remotes/wall switches, valves, pilots, blowers, junction boxes, wire harnesses, transformers and lights (excluding light bulbs)	
		X		X		Cement Refractory Panels, Glass Liner Panels	
3 years			X			Firepots, burnpots, Harman mechanical feeders	
5 years		X		X		Catalysts, Vented and Vent Free burners and logs	
10 years	1 year	X				Burners, logs and metal/fiber refractory components of HHT manufactured fireplaces or stoves, venting due to poor workmanship	
10 years	3 years		X	X		Castings, Medallions & Baffles, FlexBurn® System (engine, inner cover, access cover and fireback), Firebox and heat exchanger, HHT Chimney & Terminations, Manifolds	
20 years	3 years	X				Firebox and heat exchanger	
All purchased replacement parts and optional accessories							
1 Year	None	X	X	X	X	All purchased replacement parts and optional accessories	

B. Limited Lifetime Warranty (*continued*)

WARRANTY CONDITIONS:

- Because HHT cannot control the quality of any Products sold by unauthorized sellers, this Warranty only covers Products that are purchased through an HHT authorized dealer or distributor unless otherwise prohibited by law; a list of HHT authorized dealers is available on the HHT branded websites.
- This Warranty is only valid while the applicable Product remains at the site of original installation.
- This Warranty is only valid in the country in which the HHT authorized dealer or distributor that sold the applicable Product is authorized to sell applicable Product.
- Contact your installing distributor or dealer for Warranty service. If the installing dealer or distributor is unable to provide necessary parts, contact the nearest HHT authorized dealer or supplier. Additional service fees may apply if you are seeking Warranty service from a dealer other than the dealer from whom you originally purchased the applicable Product.
- No HHT consumer should bear cost of warranty service or costs incurred while servicing warranty claims (i.e., travel, gas, or mileage) when the service is performed within the terms of this Warranty. Check with your dealer or distributor in advance for any costs to you when arranging a warranty call. Travel and shipping charges for parts are not covered by this Warranty.

WARRANTY EXCLUSIONS:

This Warranty does not cover the following:

- Changes in surface finishes as a result of normal use. As a heating appliance, some changes in color of interior and exterior surface finishes may occur. This is not a flaw and is not covered under the Warranty.
- Damage to printed, plated, or enameled surfaces caused by fingerprints, accidents, misuse, scratches, melted items or other external sources and residues left on the plated surfaces from the use of abrasive cleaners or polishes.
- Repair or replacement of parts that are subject to normal wear and tear during the Warranty Period are not covered. These parts include: paint, wood and pellet gaskets, firebricks, wood grates, flame guides, batteries and the discoloration of glass.
- Minor expansion, contraction, or movement of certain parts causing noise. These conditions are normal and complaints related to this noise are not covered by this Warranty.
- Damages resulting from: (1) failure to install, operate, or maintain the applicable Product in accordance with the installation instructions, operating instructions, and listing agent identification label furnished with the applicable Product; (2) failure to install the applicable Product in accordance with local building codes; (3) shipping or improper handling; (4) improper operation, abuse, misuse, continued operation with damaged, corroded or failed components, accident, or improperly/incorrectly performed repairs; (5) environmental conditions, inadequate ventilation, negative pressure, or drafting caused by tightly sealed constructions, insufficient make-up air supply, or handling devices such as exhaust fans or forced air furnaces or other such causes; (6) use of fuels other than those specified in the operation instructions; (7) installation or use of components not supplied with the applicable Product or any other components not expressly authorized and approved by HHT; (8) modification of the appliance not expressly authorized and approved by HHT in writing; and/or (9) interruptions or fluctuations of electrical power supply to the applicable Product.
- Non-HHT venting components, hearth connections or other accessories used in conjunction with the applicable Product.
- Any part of a pre-existing fireplace system in which an insert or a decorative gas applicable Product is installed.
- HHT's obligation under this Warranty does not extend to the Product's capability to heat the desired space. Information is provided to assist the consumer and the dealer in selecting the proper Product for the application. Consideration must be given to the Product location and configuration, environmental conditions, insulation and air tightness of the structure.

This warranty is void if:

- The applicable Product has been over-fired, operated in atmospheres contaminated by chlorine, fluorine, or other damaging chemicals. Over-firing can be identified by, but not limited to, warped plates or tubes, deformation/warping of interior cast iron structure or components, rust colored cast iron, bubbling, cracking and discoloration of steel or enamel finishes.
- The applicable Product is subjected to prolonged periods of dampness or condensation.
- There is any damage to the applicable Product due to water or weather damage which is the result of, but not limited to, improper chimney or venting installation.

LIMITATIONS OF REMEDIES AND LIABILITY:

- **EXCEPT TO THE EXTENT PROVIDED BY LAW, HHT MAKES NO EXPRESS WARRANTIES OTHER THAN THE WARRANTY SPECIFIED HEREIN. The owner's exclusive remedy and HHT's sole obligation under this Warranty or in contract, tort or otherwise, shall be limited to, at HHT's sole option, replacement of the Component Part(s), repair of the Component Part(s), or refund of the original purchase price of the applicable Product(s). In no event will HHT be liable for any incidental or consequential damages caused by defects in the applicable Product. Some States do not allow the exclusion or limitation of incidental or consequential damages, so the above limitation or exclusion may not apply to you. This Warranty gives you specific legal rights and you may also have other rights which vary from State to State. THE DURATION OF ANY IMPLIED WARRANTY IS LIMITED TO DURATION OF THE EXPRESSED WARRANTY SPECIFIED ABOVE FOR THE APPLICABLE PRODUCT. Some States do not allow limitations on how long an implied warranty lasts, so the above limitation may not apply to you.**

2 Product Specific Information

A. Appliance Certification

MODEL: AVFL42NIF-BU, AVFL42PIF-BU, AVFL42NIF-RB, AVFL42PIF-RB, AVFL48NIF, AVFL48PIF, AVFLST48NIF, AVFLST48PIF, AVFL60NIF, AVFL60PIF

LABORATORY: UNDERWRITERS LABORATORIES, INC. (UL)

TYPE: Unvented Room Heaters


STANDARD: ANSI Z21.11.2:19

This product is listed to ANSI standards for “Unvented Gas Heaters” and applicable sections of “Gas Burning Heating Appliances for Manufactured Homes and Recreational Vehicles”, and “Gas Fired Appliances for Use at High Altitudes”.


NOTICE: This installation must conform with local codes. In the absence of local codes you must comply with the National Fuel Gas Code, ANSI Z223.1—latest edition in the U.S.A.

NOT INTENDED FOR USE AS A PRIMARY HEAT SOURCE.

This appliance is tested and approved as either supplemental room heat or as a decorative appliance. It should not be factored as primary heat in residential heating calculations.



Installation and service of this appliance should be performed by qualified personnel. Hearth & Home Technologies recommends HHT Factory Trained or NFI certified professionals.



B. BTU Specifications

Models		Maximum Input BTU/h	Minimum Input BTU/h	Orifice Size (DMS)
AVFL42NIF-BU (NG)	(0-2000 FT)	34,000	23,500	.1110(#34)
AVFL42PIF-BU (PROPANE)	(0-2000 FT)	33,000	26,000	.070(#50)
AVFL42NIF-RB (NG)	(0-2000 FT)	24,500	17,500	.096(#41)
AVFL42PIF-RB (PROPANE)	(0-2000 FT)	24,000	19,000	.0595(#53)
AVFL48NIF (NG)	(0-2000 FT)	39,000	27,500	.120(#31)
AVFL48PIF (PROPANE)	(0-2000 FT)	38,000	31,000	.076(#48)
AVFLST48NIF (NG)	(0-2000 FT)	39,000	27,500	.120(#31)
AVFLST48PIF (PROPANE)	(0-2000 FT)	38,000	31,000	.076(#48)
AVFL60NIF (NG)	(0-2000 FT)	40,000	28,000	.120(#31)
AVFL60PIF (PROPANE)	(0-2000 FT)	39,000	30,500	.076(#48)

NOTE: For higher elevations please see page 9.

WARNING

This appliance is equipped for (natural or propane) gas. Field conversion is not permitted.



WARNING: This product and the fuels used to operate this product (liquid propane or natural gas), and the products of combustion of such fuels, can expose you to chemicals including benzene, which is known to the State of California to cause cancer and reproductive harm. For more information go to: www.P65Warnings.ca.gov.

3 Important Safety and Operating Information

A. Appliance Safety

WARNING! DO NOT operate appliance before reading and understanding operating instructions. Failure to operate appliance according to operating instructions could cause fire or injury.

WARNING! Choking Hazard! Keep crushed glass media out of reach of children.

- Alert children and adults to hazards of high temperatures.

High temperatures may ignite clothing or other flammable materials.

- Clothing, furniture, draperies, and other flammable materials must not be placed on or near the appliance.

Young children should be carefully supervised when they are in the same room as the appliance. Toddlers, young children and others may be susceptible to accidental contact burns.

- A physical barrier is recommended if there are at risk individuals in the house.
- To restrict access to an appliance or stove, install an adjustable safety gate to keep toddlers, young children, pets and other at risk individuals out of the room and away from hot surfaces.
- Install a switch lock or a wall/remote control with child protection lockout feature.
- Keep remote controls out of reach of children.
- Never leave children alone near a hot appliance, whether operating or cooling down.
- Teach children to NEVER touch the appliance.
- Consider not using the appliance when children will be present.

Contact your dealer for more information, or visit: www.hpba.org/safety-information.

To prevent unintended operation when not using your appliance for an extended period of time (summer months, vacations, trips, etc):

- Remove batteries from remote controls.
- Turn off wall controls.
- Unplug 6 volt adapter plug.

Clear Space

WARNING! DO NOT place combustible objects in front of the appliance. High temperatures may start a fire. See Figure 3.1.

Avoid placing candles, electronics and other heat-sensitive objects on mantel or hearth. Heat may damage these objects.

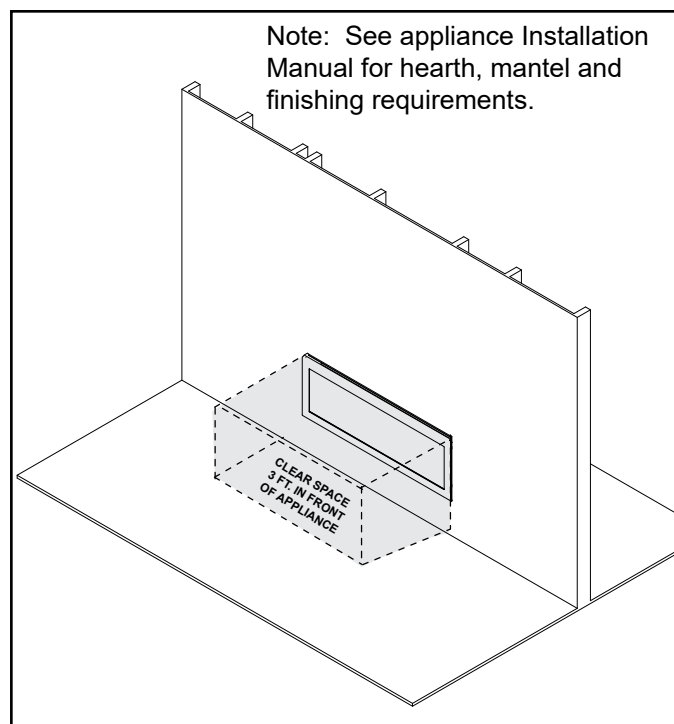


Figure 3.1 Clear Space

Over Firing

The appliance is considered to be over firing if the flames are contacting the top of the firebox. Call a qualified service technician to service the appliance.

Important Safety and Operating Information (continued)

OWNER

Please retain these instructions for future reference.

WARNING

- Any change to this appliance or its controls can be dangerous.
- Improper installation or use of the appliance can cause serious injury or death from fire, burns, explosion or carbon monoxide poisoning.
- Do not allow fans to blow directly into the appliance. Avoid any drafts that alter burner flame patterns.
- Do not use a blower insert, heat exchanger insert or other accessory, not approved for use with this heater where applicable.

1. Due to high temperatures, the appliance should be located out of traffic and away from furniture and draperies.
2. Children and adults should be alerted to the hazard of high surface temperature and should stay away to avoid burns or clothing ignition.
3. Young children should be carefully supervised when they are in the same room with the appliance.
4. Do not place clothing or other flammable material on or near the appliance.
5. Any safety screen or guard removed for servicing an appliance, must be replaced prior to operating the heater.
6. Installation and repair should be done by a qualified service person. The appliance should be inspected before use and at least annually by a professional service person. More frequent cleaning may be required due to excessive lint from carpeting, bedding material, etc. It is imperative that control compartments, burners, and circulating air passageways of the appliance be kept clean.
7. This appliance is intended for supplemental heating.

8. **CARBON MONOXIDE POISONING:** Early signs of carbon monoxide poisoning are similar to the flu with headaches, dizziness and/or nausea. If you have these signs, obtain fresh air immediately. Have the heater serviced as it may not be operating properly.
9. The installation must conform with local codes or, in the absence of local codes, with the **National Fuel Gas Code, ANSI Z223.1/NFPA54**.
10. Do not install this appliance in a bathroom or bedroom.
11. Correct installation of the crushed glass media, optional stone and ceramic fiber logs, proper location of the appliance, and annual cleaning are necessary to avoid potential problems with sooting. Sooting, resulting from improper installation or operation, can settle on surfaces outside the appliance. Refer to log placement instructions for proper installation.

12. **WARNING:** Do not allow fans to blow directly into the appliance. Avoid any drafts that alter burner flame patterns. Do not place a blower inside burn area of appliance. Ceiling fans may create drafts that alter burner flame patterns. Sooting and improper burning will occur.
13. **Caution:** Candles, incense, oil lamps, etc. produce combustion by-products including soot. Vent-free appliances will not filter or clean soot produced by these types of products. In addition, the smoke and/or aromatics (scents) may be reburned in the vent-free appliance which can produce odors. It is recommended to minimize the use of candles, incense, etc. while the vent-free appliance is in operation.
14. This heater shall not be installed in a room or space unless the required volume of indoor combustion air is provided by the method described in the *National Fuel Gas Code, ANSI Z223.1/NFPA 54*, the *International Fuel Gas Code* or applicable local codes.
15. Keep room area clear and free from combustible materials, gasoline and other flammable vapors and liquids.
16. Unvented appliances emit moisture into the living area. In most homes of average construction, this does not pose a problem. In houses of extremely tight construction, additional mechanical ventilation is recommended.
17. During manufacturing, fabricating and shipping, various components of this appliance are treated with certain oils, films or bonding agents. These chemicals are not harmful but may produce annoying smoke and smells as they are burned off during the initial operation of the appliance; possibly causing headaches or eye or lung irritation. This is a normal and temporary occurrence. The initial break-in operation should last three to four hours with the burner at the highest setting. Provide maximum ventilation by opening windows or doors to allow odors to dissipate. Any odors remaining after this initial break-in period will be slight and will disappear with continued use.

18. Input ratings are shown in BTU per hour and are for elevations up to 2,000 feet. For elevations above 2,000 feet, input ratings should be reduced 4 percent for each 1,000 feet above sea level. Refer to the National Fuel Gas Code.
19. The appliance and its appliance main gas valve must be disconnected from the gas supply piping system during any pressure testing of that system at test pressures in excess of ½ psig (3.5 kPa).
20. The appliance must be isolated from gas supply piping system by closing its equipment shutoff valve during any pressure testing of the gas supply piping system at test pressures equal to or less than ½ psig (3.5 kPa).
21. Do not use this room heater if any part has been under water. Immediately call a qualified service technician to inspect the room heater and to replace any part of the control system and any gas control which has been under water.
22. Never burn solid fuels in a appliance where a unvented room heater is installed.
23. **WARNING:** Failure to keep the primary air opening of the burner clean may result in sooting and property damage.
24. **WARNING:** Do not use a blower insert, heat exchanger insert or other accessory not approved for use with this heater.

BUILDING CODE INFORMATION

Adhere to all local codes or, in their absence, the latest edition of THE NATIONAL FUEL GAS CODE ANSI Z223.1 or NFPA54 which can be obtained from:

American National Standards Institute, Inc.
 1430 Broadway
 New York, NY 10018

or

National Fire Protection Association, Inc.
 Batterymarch Park
 Quincy, MA 02269

B. General Operating Parts

Figure 3.2 references the general operating parts of the appliance and the section of this manual in which they are discussed.

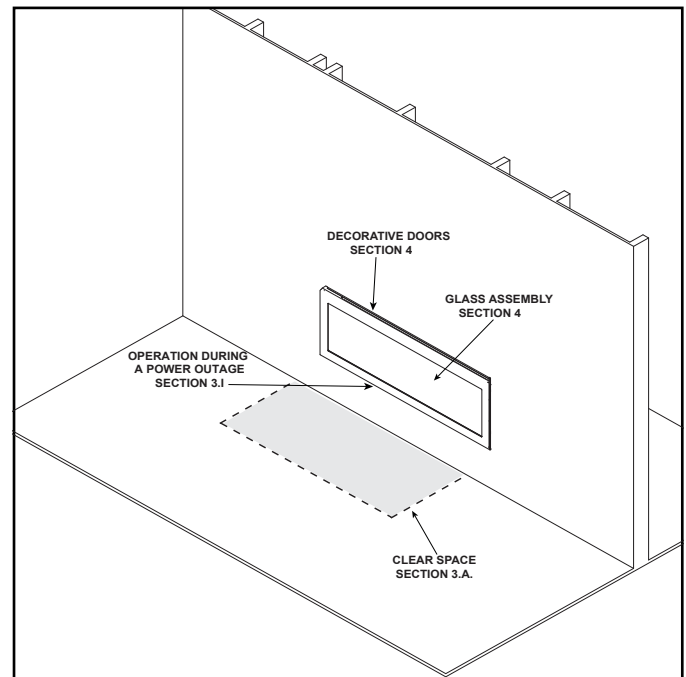


Figure 3.2 General Operating Parts

C. Fuel Specifications

WARNING! Risk of Fire or Explosion! Appliance must be set up for compatible gas type!

- This appliance is designed to operate on either natural gas or propane. Make sure the appliance is compatible with gas type selected for installation site.

WARNING! Risk of Fire! Comply with all minimum clearances to combustibles as specified in the installation instructions.

D. Good Faith Wall Surface TV Guidelines

(AVFL42N(P)IF-BU, AVFL48N(P)IF, AVFL60N(P)IF, AND AVFLST48N(P)IF appliances)

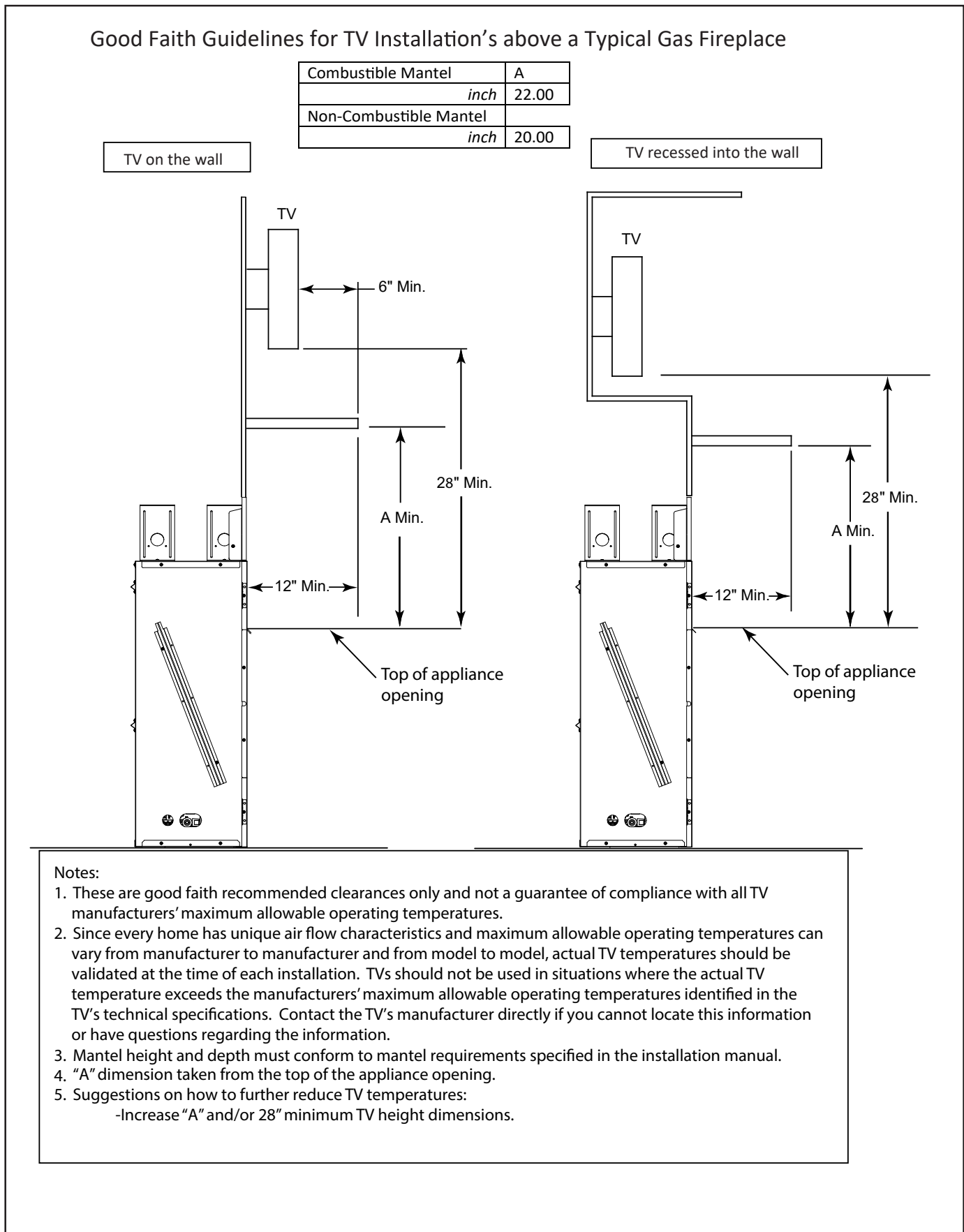


Figure 3.3 Good Faith TV Guidelines

Good Faith Wall Surface TV Guidelines (continued)

(AVFL42N(P)IF-RB)

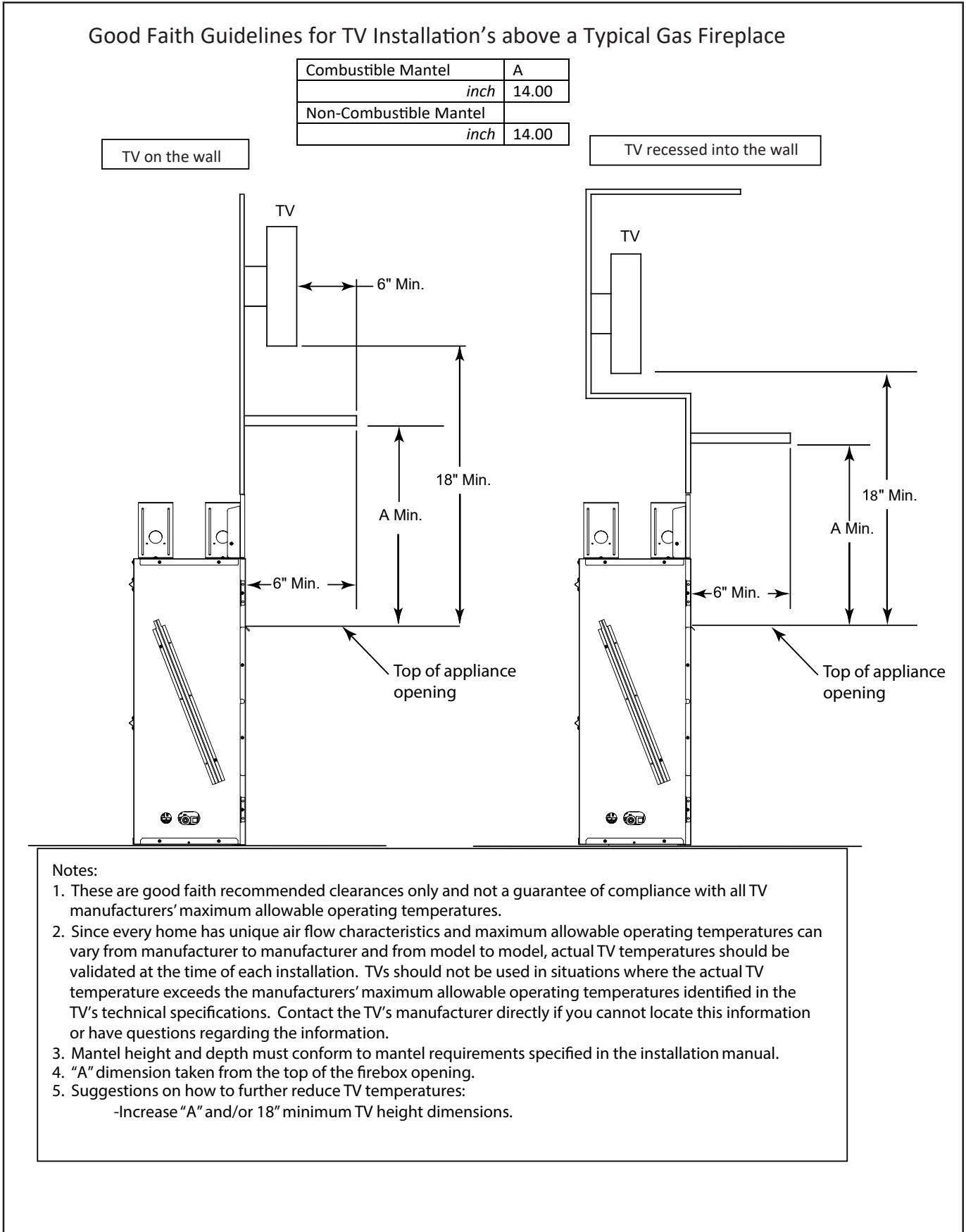


Figure 3.4 Good Faith TV Guidelines

E. Before Lighting Appliance

Before operating this appliance for the first time, **have a qualified service technician:**

- Verify all shipping materials have been removed from inside and/or underneath the firebox.
- Review proper placement of crushed glass media.
- Ensure that there are no gas leaks.
- Ensure that the air deflection glass is seated in the proper position. See Figure 3.5.

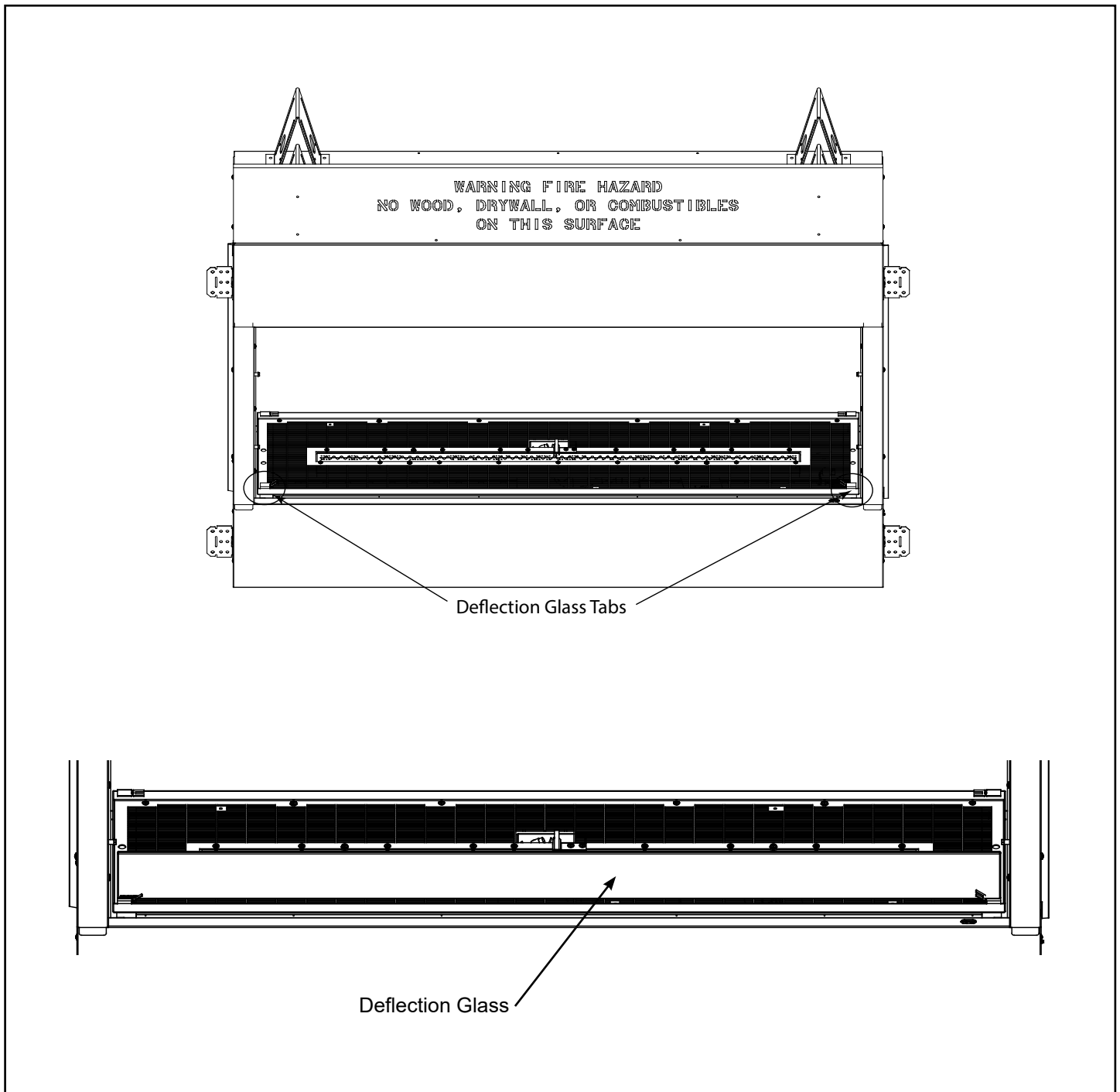


Figure 3.5 Air Deflection Glass

F. Lighting Instructions (IPI)

FOR YOUR SAFETY READ BEFORE LIGHTING

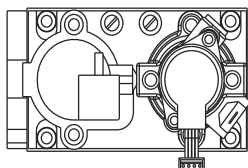
WARNING: If you do not follow these instructions exactly, a fire or explosion may result causing property damage, personal injury or loss of life.

- A. This appliance is equipped with an intermittent pilot ignition (IPI) device which automatically lights the burner. **DO NOT** try to light the burner by hand.
 - B. **BEFORE LIGHTING**, smell all around the appliance area for gas. Be sure to smell next to the floor because some gas is heavier than air and will settle on the floor.
- WHAT TO DO IF YOU SMELL GAS**
- **DO NOT** try to light any appliance.
 - **DO NOT** touch any electric switch; do not use any phone in your building.
 - Immediately call your gas supplier from a neighbor's phone. Follow the gas supplier's instructions.
 - If you cannot reach your gas supplier, call the fire department.
- C. **DO NOT** use this appliance if any part has been under water. Immediately call a qualified service technician to inspect the appliance and to replace any part of the control system and any gas control which has been under water.

LIGHTING INSTRUCTIONS (IPI)

1. This appliance is equipped with an ignition device which automatically lights the burner. **DO NOT** try to light the burner by hand.
2. Wait five (5) minutes to clear out any gas. Then smell for gas, including near the floor. If you smell gas, **STOP!** Follow "B" in the Safety Information located on the top of this label. If you do not smell gas, go to next step.
3. To light the burner:
Equipped with wall switch: Turn ON/OFF switch to ON.
Equipped with remote or wall control: Press ON or FLAME button.
Equipped with thermostat: Set temperature to desired setting.
4. If the appliance does not light after three tries, call your service technician or gas supplier.

**GAS
VALVE**



TO TURN OFF GAS TO APPLIANCE

1. Equipped with wall switch: Turn ON/OFF switch to OFF.
Equipped with remote or wall control: Press OFF button.
Equipped with thermostat: Set temperature to lowest setting.
2. Service technician should turn off electric power to the control when performing service.

4604-200

WARNING:

DO NOT CONNECT LINE VOLTAGE (110/120 VAC OR 220/240 VAC) TO THE CONTROL VALVE.

Improper installation, adjustment, alteration, service or maintenance can cause injury or property damage. Refer to the owner's information manual provided with this appliance. For assistance or additional information, consult a qualified installer, service agency or the gas supplier.

This appliance needs fresh air for safe operation and must be installed so there are provisions for adequate combustion and ventilation air.

CAUTION:

Keep burner and control compartment clean. See installation and operating instructions accompanying appliance.

Hot while in operation. **DO NOT** touch. Keep children, clothing, furniture, gasoline and other liquids having flammable vapors away.

NOT FOR USE WITH SOLID FUEL

This appliance must be installed in accordance with local codes, if any; if none, follow the *National Fuel Gas Code, ANSIZ223.1/ NFPA 54, or the National Gas and Propane Installation code, CSA B149.1.*

For additional information on operating your
Hearth & Home Technologies fireplace, please refer to www.fireplaces.com.

4604-200

G. Initial Use

Initial Break-in Procedure

- The appliance should run three to four hours continuously on high.
- Turn the appliance off and allow it to completely cool.

This cures the materials used to manufacture the appliance.

NOTICE! Open windows for air circulation during appliance break-in.

- Some people may be sensitive to smoke and odors.
- Smoke detectors may activate.

H. Heat Management

Burn Rate

The Artisan model has a variable burn rate which is controlled by the remote control. Therefore the flame height is adjustable.

The flame height may be adjusted as desired by locating the flame option on the remote control and adjusting up or down to desired flame height.

I. Operation During A Power Outage

The IntelliFire Touch with ODS intermittent pilot ignition system comes with a battery backup system that enables the system to operate in a power outage. The system offers seamless transition from household AC power to battery backup. A factory-installed battery pack is located in the control cavity of the appliance. See Figure 3.6. Battery longevity and performance will be affected by long term exposure to the service temperatures of this appliance.

NOTICE: Batteries should only be used as a power source in the event of an emergency power outage. Batteries should not be used as a primary long-term power source.

To Operate Appliance Using Battery Power (DC):

1. Access the control cavity of the appliance. See Figure 3.6 for location. Make sure unit is off and cool. Lift the barrier screen off of the appliance. Remove the logs or stone if installed. Remove crushed glass media and deflection glass panel from hearth pan. Remove two (2) screws securing burner assembly to appliance, set aside. Lift the burner assembly and place the two engine supports, provided under the engine, against lower front space at the bottom of the face, and slide into the slots at the bottom of the engine assembly. See Figure 3.6.
2. Locate the battery tray and insert four AA cell batteries. See Figure 3.7. Battery polarity must be correct or module damage will occur. A complete wiring diagram is included in the electrical section of the appliance installation manual.
3. Turn the appliance on according to the instructions below for the appropriate type of control:

Wall Switch:

- Toggle the switch as you would under normal circumstances.

Wireless Remote:

- Remote receiver is integrated into the ignition module
- Use the remote to turn the appliance on.
- To preserve battery life, do not use the HI/LO flame or THERMOSTAT options.

NOTICE: Some functionality will be lost when using battery backup including remote control, lights, or any other auxiliary functions that require household 110-120 VAC power.

To Return to Operation Using Electrical (AC) Power

Wall Switch:

- Toggle the switch to OFF.
- Remove the batteries from the battery tray.

Wireless Remote:

- Use the remote to turn the appliance off.
- Remove the batteries from the battery tray.

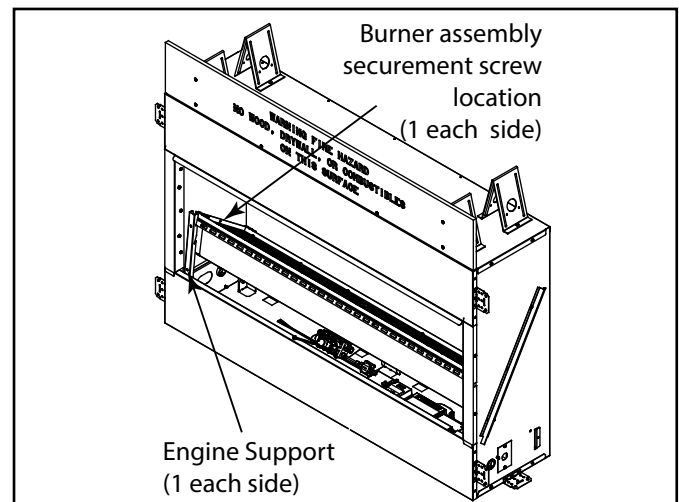


Figure 3.6 Control Cavity Location (Cut away front view only for location purpose, no direct access from front)

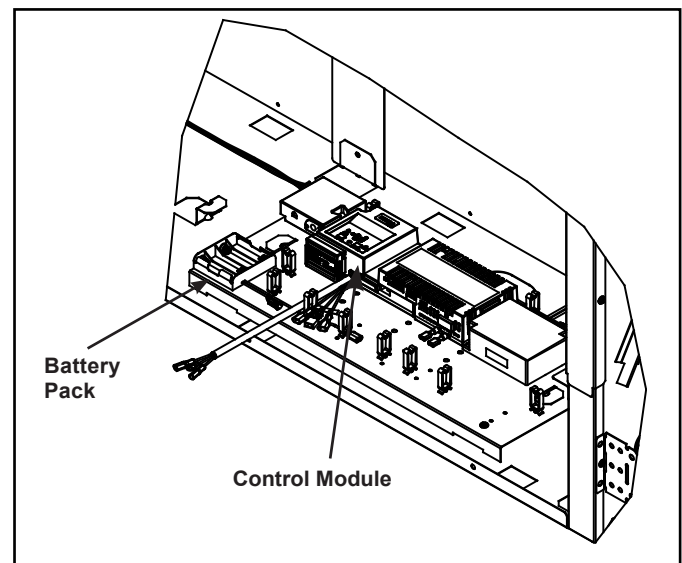


Figure 3.7 Battery Tray Location

J. Detailed Component Operating Instructions

IFT2-ECM Detailed Operating Instruction

The 48" and 60" models ship from the factory equipped with the IFT2-RC450 remote. The IFT2-RC450 remote is available as an option for the 42" models. The IntelliFire Wi-Fi module (IFT-WFM) is an available option for all models.

1. The Electronic Control Module (IFT2-ECM) has a three-position ON/OFF/REMOTE selector switch that must be set for proper operation. See Figure 3.8. When changing switch positions, it is important to pause in each position for 1-2 seconds.

OFF Position:

The appliance will not respond to any commands from the IntelliFire Mobile App, IFT-RC150U or IFT2-RC450 remote controls. The unit should be in the OFF position during installation, service, fuel conversion and to reset the IFT2-ECM in the event the system goes into a LOCK-OUT mode as the result of a system error. When switched to the OFF position while the appliance is operating, the system will shut down.

ON Position:

The appliance will ignite and run continuously at the HIGH flame setting. No adjustment in flame height is possible.

NOTICE! When the IFT2-ECM selector switch is in the ON position, the ECM shall not respond to the wired wall switch, mobile app or wireless remote controls.

The IFT2-ECM has a safety feature that will automatically shut down the fireplace after 9 hours of continuous operation in the ON position.

Remote Position:

The remote position allows operation of the appliance from the IntelliFire app, IFT2-RC450 or IFT-RC150U remote controls. The IFT2-ECM switch must be in the REMOTE position to pair the IFT2-ECM with the IFT2-PACM and/or IFT2-RC450 and RC150U remote controls. See the IFT2-RC450 or IFT-RC150U installation manual for detailed instructions on pairing the IFT2-ECM with the remote controls. After successfully pairing a IFT2-RC450, all installed accessories can be controlled by the IFT2-RC450 (see IFT2-RC450 user manual). The IFT-RC150U allows the user to turn ON/OFF the flame in the appliance and activate the Cold Climate mode if desired. The IFT2-ECM has a safety feature that will automatically shut down the fireplace after 9 hours of continuous operation without receiving a command from the IFT2-RC450 or IFT-RC150U .

2. If multiple control options are installed, the IFT2-ECM will respond to the last command from the wired wall switch, IFT2-RC450 or IFT-RC150U . The wired wall switch is NOT available if a Power Vent is used.

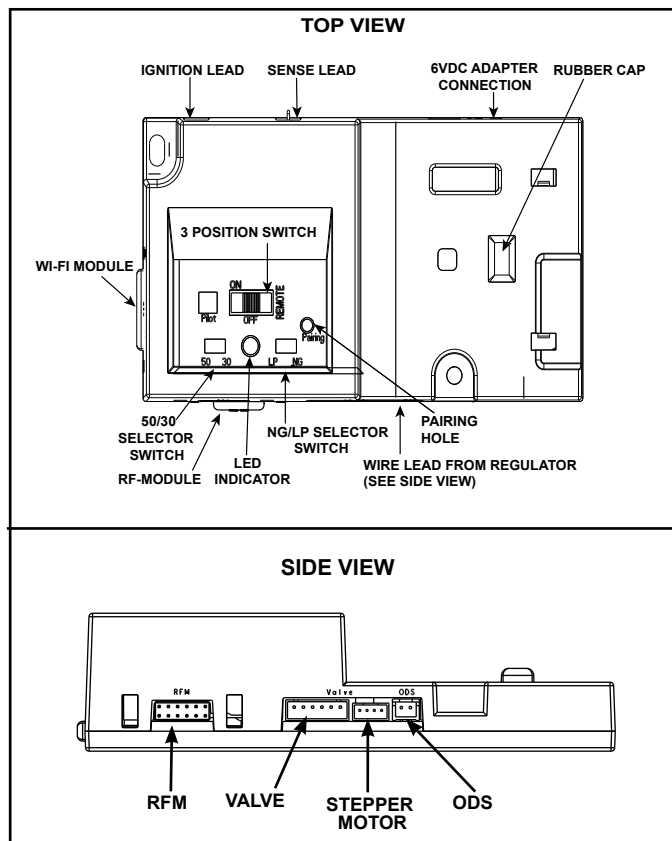


Figure 3.8 IFT-ECM 2.0

3. An IFT2-ECM reset is required if the module is in a lock-out condition. When this occurs, the appliance is shut down and the IFT2-ECM status indicator LED will be blinking a RED/GREEN error code along with a one-time audible double-beep. If the IFT2-ECM is in a lock-out condition, refer to the troubleshooting chart to interpret the error code and take corrective action as required.

CAUTION! Risk of burns! Appliance surfaces are hot when operating and during cool down. Use care and wear gloves when opening the front and accessing components inside the appliance.

NOTE: A reset is achieved by cycling the circuit breaker to which the appliance is wired. For appliances that have been converted to Propane, the RESET switch may also be cycled.

Appliance ON/OFF:

A remote control, wireless wall switch or optional Wi-Fi may be used to control the ON/OFF function of the appliance. Follow instructions included with the installed control.

LED's

Use the IFT2-RC450 remote to control the functions of the LED's, including ON/OFF, color choice and color intensity.

Wi-Fi (Optional)

If desired, a Wi-Fi module (IFT-WFM) may be added to allow the appliance to be run via an app. Contact your dealer to order.

Manual Appliance Shutoff

In the unlikely event that the remote wall switch malfunctions and will not turn off the appliance, call your dealer for service assistance. In the meantime, you may choose one of the following actions to turn off the appliance:

CAUTION! Risk of burns! Appliance surfaces are hot when operating and during cool down. Use care and wear gloves when opening the front and accessing components inside the appliance.

Check remote screen for battery level indicator, replace the batteries if low battery is indicated (See Figure 4.6).

The appliance may be manually shut down by one of the following methods:

Turn off power to the appliance (if back-up batteries are not installed):

- Unplug appliance from electrical source, if you cannot unplug then:
- Locate house circuit breaker for appliance.
- Turn off the circuit breaker.
- Turn the reset switch in the front face to the off position. See Figure 3.9

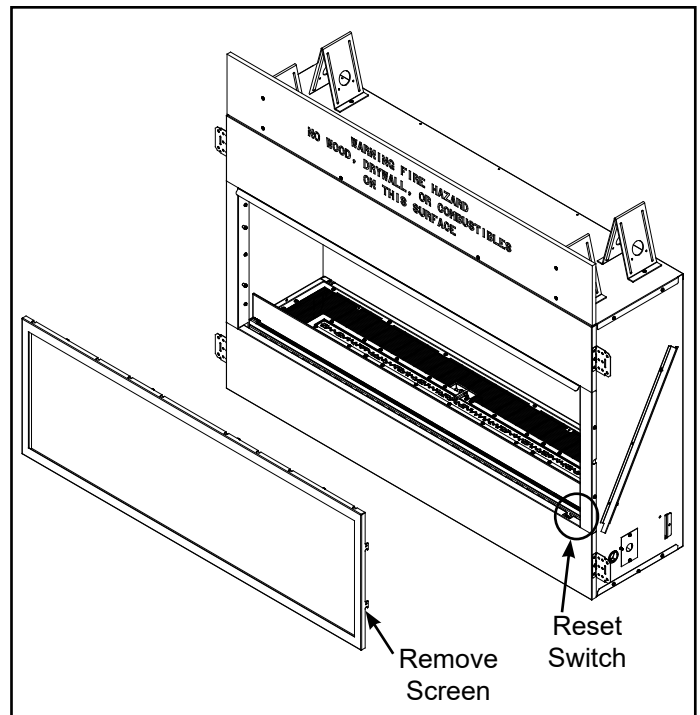


Figure 3.9 Reset Switch

Frequently Asked Questions/Troubleshooting

Symptom	Possible Cause	Corrective Action
Remote control will not transmit	Batteries	Verify batteries are functional and installed correctly.
	Remote control is in Child Lock mode	Disengage Child Lock mode.
	Buttons not being pressed firmly	Press button firmly for one to two seconds to ensure transmission to module.
Control module will not take commands from remote control	Control module is not in "REMOTE" mode	Ensure module switch is set to REMOTE.
	Control module and remote control are not programmed to each other	The control module will beep when it successfully receives a command. If it does not beep, clear module memory and re-program remote.
	Control module is unplugged. In case of power outage, backup batteries are depleted or missing	If the transmission indicator comes on when power button is pressed, verify that the control module is plugged in the appliance junction box located in the controls area. Also verify that the batteries are installed in the battery pack.
Appliance is on but will not shut off with the remote control	External wired wall switch	The appliance cannot be turned off by remote if an external wired switch is installed and in the ON position. Turn external wall switch to OFF.
	Remote control or control module failure	Turn off appliance by setting the reset switch in the front face to the OFF position. Warning! Risk of Burns! Appliance is hot. Use caution when accessing module. See Figure 3.9.

Please contact your Hearth & Home Technologies dealer with any questions or concerns.
 For the location of your nearest Hearth & Home Technologies dealer,
 please visit www.hearthnhome.com.

4 Maintenance and Service

Any safety screen or guard removed for servicing must be replaced prior to operating the appliance.

When properly maintained, your appliance will give you many years of trouble-free service. **Contact your dealer** to answer questions regarding proper operation, troubleshooting and service for your appliance. Visit www.monessenhearth.com to locate a dealer. We recommend annual service by a qualified service technician.

A. Maintenance: Frequency and Tasks

The matrix below is an overview of maintenance tasks to be performed on the appliance. Sections B and C give details and instructions needed to assist the appropriate person in performing the tasks.

Task	Frequency	To be completed by
Surrounds	Annually	Homeowner
Remote Control	Seasonally	
Pilot Inspection & Cleaning	Annually	Qualified Service Technician
Log/Crushed Glass Media Inspection	Annually	
Firebox Inspection	Annually	
Control Compartment & Firebox Top	Annually	
Burner Ignition & Operation	Annually	

B. Maintenance Tasks: Homeowner

Installation and repair should be done by a qualified service technician only. The appliance should be inspected before use and at least annually by a professional service person.

The following tasks may be performed annually by the homeowner. If you are uncomfortable performing any of the listed tasks, please call your dealer for a service appointment.

More frequent cleaning may be required due to lint and dust from carpeting, pet dander or other factors. Control compartment, burner and circulating air passageway of the appliance must be kept clean.

CAUTION! Risk of Burns! The appliance should be turned off and cooled before servicing.

Surrounds

Frequency: Annually

By: Homeowner

Tools needed: Protective gloves, stable work surface

- Assess condition of screen and replace as necessary.
- Inspect for scratches, dents or other damage and replace as necessary.
- Vacuum and dust surfaces.

Remote Control

Frequency: Seasonally

By: Homeowner

Tools needed: Replacement batteries and remote control instructions.

- Locate remote control transmitter.
- Verify operation of remote. Refer to remote control operation instructions for proper calibration and setup procedure.
- Replace batteries as needed in remote transmitters.
- Place remote control out of reach of children.

If not using your appliance for an extended period of time (summer months, vacations/trips, etc), to prevent unintended operation:

- Remove batteries from remote controls.
- Unplug 6 volt adapter plug on IPI models.

C. Maintenance Tasks: Qualified Service Technician

The following tasks must be performed by a qualified service technician.

Pilot

Frequency: Annually

By: Qualified Service Technician

Tools needed: Small soft brush, pipe cleaner

- Inspect and remove dust, spider webs and lint
- Gently run pipe cleaner through air intake port

Firebox

Frequency: Annually

By: Qualified Service Technician

Tools needed: Protective gloves, sandpaper, steel wool, cloths, mineral spirits, primer and touch-up paint.

- Inspect for paint condition, warped surfaces, corrosion or perforation. Sand and repaint as necessary.
- Replace appliance if firebox has been perforated.

Control Compartment and Firebox Top

Frequency: Annually

By: Qualified Service Technician

Tools needed: Protective gloves, vacuum cleaner, dust cloths

- Vacuum and wipe out dust, cobwebs, debris or pet hair. Use caution when cleaning these areas. Screw tips that have penetrated the sheet metal are sharp and should be avoided.
- Remove all foreign objects.
- Verify unobstructed air circulation.

Accessing the LEDs

1. Turn off gas supply and disconnect main power to appliance before performing any maintenance.
 2. Remove glass deflection shield and place on a clean flat surface.
 3. Remove all crushed glass media from hearth surface.
 4. Remove screen to access LED strips inside the LED channels.
- Make sure LED strips are clear of any debris.
 - If removing the LED strips simply peel from LED channels. Make sure channels are clear before placing new LED strips with self adhesive into the channels.
 - To clean the LED strips, use a damp cloth and carefully wipe the strips. NOTE: The channel is sharp and contains screws extruding into the channel.

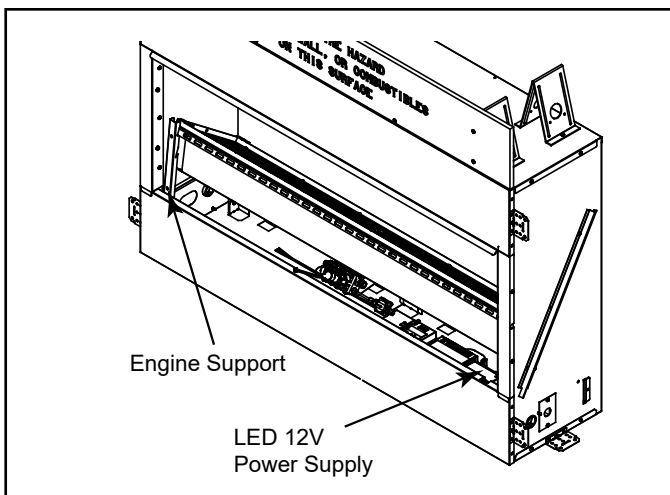


Figure 4.1 LED Access

Burner Ignition and Operation

Frequency: Annually

By: Qualified Service Technician

Tools needed: Protective gloves, vacuum cleaner, whisk broom, flashlight, voltmeter, indexed drill bit set, and a manometer.

- Verify burner is properly secured and aligned with pilot or igniter.
- Clean off burner top, inspect for plugged ports, corrosion or deterioration. Replace burner if necessary.
- Inspect for lifting or other flame problems.
- Inspect orifice for soot, dirt and corrosion. Verify orifice size is correct. See Service Parts List for proper orifice sizing.
- Verify manifold and inlet pressures. Adjust regulator as required.
- Inspect pilot flame pattern and strength. See Figure 4.2 and 4.3 for proper pilot flame pattern. Clean or replace orifice spud as necessary.
- Verify IPI millivolt output. Replace as necessary.
- Verify that there is not a short in flame sense circuit by checking continuity between pilot hood and flame sensing rod. Replace pilot as necessary.

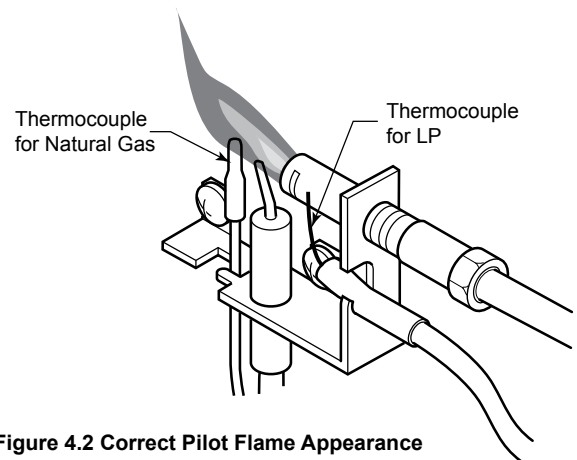


Figure 4.2 Correct Pilot Flame Appearance

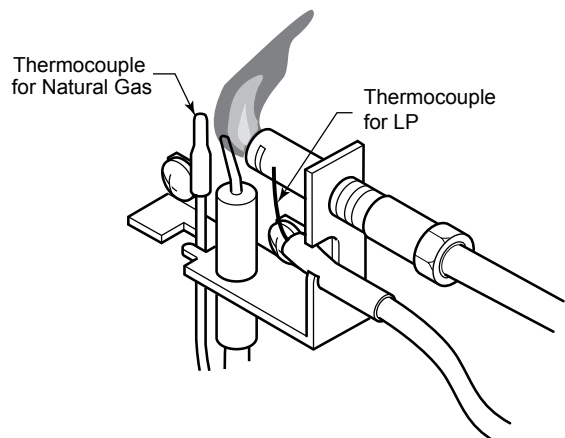


Figure 4.3 Incorrect Pilot Flame Appearance

5 Frequently Asked Questions and Troubleshooting

A. Frequently Asked Questions

ISSUE	SOLUTION
Odor from appliance	When first operated, this appliance may release an odor for the first several hours. This is caused by the burning off of any oils remaining from manufacturing or from finishing materials or adhesives used around the appliance during installation. Follow the Initial Use instructions on page 14. Odor may also come from dust, pet dander, deodorizing room sprays and other foreign debris that collects on the surface of the burner and crushed glass media when the unit is not in use for an extended period of time. To avoid odors cause by these substances, have your qualified service technician thoroughly inspect and clean your appliance prior to the first use of each season.
Metallic noise	No action is necessary. Noise is cause by metal expanding and contracting as it heats up and cools down, similar to the sound produced by a furnace or heating duct. This noise does not affect the operation or longevity of the appliance.
Wall above appliance feels hot to the touch	No action is necessary. This appliance ships with a non-combustible material. Specifications of the non-combustible material are listed in the Installer's Manual for this appliance.

Contact your dealer for additional information regarding operating and troubleshooting. Visit www.monessenhearth.com to locate a dealer.

B. Frequently Asked Questions - IntelliFire Touch® Controls (IFT2-RC450)

Symptom	Possible Cause	Corrective Action
The appliance does not respond to commands from the remote control display does not light up when screen is touched.	Batteries are depleted.	Verify batteries are new.
	Batteries are incorrectly oriented.	Verify batteries are installed in correct orientation as shown on batteries receptacle.
The display on remote lights up when screen is touched but it does not respond to commands.	Touchscreen has lost calibration.	Touchscreen needs to be re-calibrated. Call dealer to have screen re-calibrated.
	Child Lock is ON.	Check child lock icon located at the top of the remote display. If ON, it will show as a 'locked' symbol. To unlock, remove battery compartment door, locate child lock switch and move to 'unlock' position. Verify child lock icon on screen is now displayed in 'unlock' position.
The remote displays the following message on-screen: No dealer info available	Dealer information not programmed into remote.	Remote will still provide all available functions, and appliance is fully available for use. Call dealer to have them program.
The remote displays the following message on-screen: Call "Dealer Name & Number" to schedule maintenance.	300 hours of use. Appliance is still fully functional.	The appliance has been burning for 300 hours and is due for a regular maintenance. Call dealer to have them perform maintenance.
Thermostat mode is displayed on remote.	Thermostat mode has not been disabled.	Call your dealer.
The appliance turns OFF the flame after extended periods of operation	9 hour safety shutdown timer	This is normal behavior. The appliance has a safety timer that will automatically turn OFF the flame after nine hours of uninterrupted operation.
The remote displays the following message on-screen: Fan will turn on within 3 minutes	Functioning as intended.	The appliance has a three minute delay timer before the fan is turned ON. This allows the air surrounding the appliance to be heated before being pushed into the room.
The remote displays the following message on-screen: "Replace remote batteries."	Low batteries in remote.	Install new batteries in the remote.
The remote is displaying an incorrect brand.	Remote was programmed incorrectly.	Call dealer to have them program the remote with correct branding. Remote is still fully functional and the appliance is unaffected.
After turning flame ON using remote, the flame does not turn ON immediately and instead a two minute timer is displayed.	Power vent is installed on the appliance.	This is expected behavior and the two minute timer is called a pre-purge timer. The flame will turn ON at the expiration of the timer.
The remote displays the following message on-screen: "Remote Control Communication Error."	No power to appliance.	Verify home circuit breaker is on and master reset is on (if equipped).
	Power outage.	Wait for power to be restored to appliance.
The remote displays the following message on -screen: Sorry your appliance did not start. Try again by pressing Flame On.	No power to appliance. No gas to appliance. Accumulation of air in gas line from extended period of appliance inactivity. Gas control system failure.	Verify that appliance has power and gas. Verify that the appliance accepts flame ON commands with an audible beep, and successfully turns flame on within 90 seconds. If this failure persists, contact dealer for service.

C. Troubleshooting - IntelliFire Touch 2.0 Ignition System



Risk of Explosion

DO NOT cycle the ON/OFF/REM selector switch more than one time within a five minute period. Gas may accumulate in firebox. Call a qualified service technician.

Troubleshooting

With proper installation, operation and maintenance your gas appliance will provide years of trouble-free service. If you do experience a problem, this troubleshooting guide will assist a qualified service technician in the diagnosis of a problem and the corrective action to be taken. This troubleshooting guide can only be used by a qualified service technician.

Note to Qualified Service Technician: Additional resources including troubleshooting guides and service videos are available through Hearth & Home Technologies. Contact your dealer or access resources through your myhht.com account.

IntelliFire Touch 2.0 Ignition System

Error Codes:

IFT2-ECM LED Error Codes	Description
2 Red: 1 Green	RC450 display: "Error Pilot Flame", pilot valve solenoid not detected or open pilot flame coil.
2 Red: 2 Green	CSA error message. Ignition feedback signal error, spark coil failure, low-impedance short.
3 Red: 1 Green	RC450 error message: "Appliance Safely Disabled", pilot sparks for 90 seconds, no flame rectification.
4 Red: 1 Green	110VAC power is connected to the wall switch.
6 Red: 1 Green	RC450 error message: "Error ODS". Clear Error Message requires the On/Off/Remote switch to be moved to Off for 3 seconds before moving back to Remote.
7 Red: 1 Green	RC450 display: "Error Power Vent" Clear Error Message requires the On/Off/Remote switch to be moved to Off for 3 seconds before moving back to Remote.
8 Red: 1 Green	RC450 error message: "ECM error".

See Troubleshooting matrix for more detail on Lock-out Error Codes, Possible Causes and Corrective Actions.

Troubleshooting:

NOTICE! Please contact your Hearth & Home Technologies dealer if the Corrective Actions do not resolve the issues with your appliance.

Symptom	Possible Cause	Corrective Action
Pilot does not light, module clicks but no spark 90 seconds, 3 Red/1 Green Lock out.	Incorrect wiring.	Verify "S" (White) sense wire and "I" (orange) ignitor wire are connected to correct terminals on IFT2-ECM.
	Loose connections or electrical shorts in wiring.	Verify no loose connections or electrical shorts in wiring from module to pilot assembly. Verify wire insulation is not damaged. Verify wires are not grounding out to chassis, pilot burner, or any other metal object. Replace any damaged wires.
	Ignitor gap is too large.	Verify spark gap is approximately 0.095" (2.41 mm) to 0.135" (3.43 mm).
Pilot does not light, there is no noise or spark.	No AC power, AC/DC adaptor faulty, IFT2-ECM slider switch in OFF position.	Verify IFT2-ECM slider switch is in ON or REMOTE position. Verify AC power available to junction box. Verify 6 VDC power adapter is plugged into junction box and IFT2-ECM. Verify 6 VDC power adapter output voltage is between 5.7-6.3 Vdc.
	Shorted or loose connection in system wiring or wiring harness.	Verify system wiring configuration. Remove and reinstall wiring harness that plugs into module. Check continuity of wires in valve wiring harness. Replace any damaged components.
	Poor or no system ground.	Verify black ground wire in valve harness is connected to metal chassis of fireplace.
Pilot does not light, there is no noise or spark, 2 Red/1 Green Lockout.	Pilot solenoid not detected.	Check if valve harness orange wire is connected to pilot solenoid valve. Check pilot solenoid resistance, nominal is 40 ohms. If open or shorted, replace valve. Check valve harness wire continuity, if open replace 6-pin harness.

Troubleshooting (continued)

Symptom	Possible Cause	Corrective Action
Pilot does not light, there is no noise or spark, 2 Red/2 Green Lockout.	Spark coil failure.	Replace IFT2-ECM.
Pilot sparks but does not light, after 90 seconds, 3 Red/1 Green Lockout.	No gas supply.	Verify incoming gas line ball valve is "Open". Verify inlet pressure is within requirement for gas type used. Contact gas supplier.
	IFT2-ECM has poor ground.	Verify wiring, check valve harness black wire is securely grounded to metal chassis.
	Gas valve defective.	Check pilot valve solenoid kick and hold voltages during ignition cycle. Kick V should be >1 V, hold V minimum 0.26 V. If voltages are OK, replace gas valve.
Pilot lights but main burner does not light. Pilot continues to spark for 90 seconds then goes into 3 Red/1 Green Lockout.	No flame detected. Flame rectification issue.	Check if white sense lead is securely connected to "S" terminal of IFT2-ECM. Check resistance of sense lead between sense rod tip and connector to IFT2-ECM, should be less than 1 ohm - if not, replace pilot assembly. Check system ground, ensure black valve harness wire is securely attached to metal chassis. Check wiring for damage. With system OFF, check resistance between tip of sense rod and pilot hood, should be resistance (>1 M-ohm).
	Possible Cause: No flame detected or sense rod contamination.	Corrective Action: With glass assembly installed, verify pilot flame is engulfing flame sense rod on pilot assembly. Verify inlet gas pressure is correct for gas type. Polish flame sense rod with fine steel wool to remove any contaminants that may have accumulated.
	No flame detected, sense rod short issue.	Remove firebox glass assembly and verify there is no glass media touching the flame sense rod or glass media blocking the pilot orifice.
Pilot lights and rectifies, but main burner does not light.	Main valve solenoid.	Check if green wire in valve harness is connected to green main valve solenoid. Check main valve solenoid resistance, nominal is 60 ohms. If open or shorted, replace valve. Verify valve inlet pressure is correct for gas type.
Appliance lights and runs for a few minutes then shuts down and/or appliance cycle ON and OFF with less than 90 seconds of ON time.	Shorted or loose connection in flame detection circuit.	Check if white sense lead is securely connected to "S" terminal of IFT2-ECM. Check resistance of sense lead between sense rod tip and connector to IFT2-ECM should be less than 1 ohm - if not, replace pilot assembly. Check system ground, ensure black valve harness wire is securely attached to metal chassis. Check wiring for damage. With system OFF, check resistance between tip of sense rod and pilot hood, should be resistance (>1 M-ohm).
	Poor flame rectification or contaminated sense rod.	With glass assembly installed, verify pilot flame is engulfing flame sense rod on pilot assembly. Verify inlet gas pressure is correct for gas type. Polish flame sense rod with fine steel wool to remove any contaminants that may have accumulated. Verify no soot deposits are in sense rod to pilot hood gap.
	Logs are set up wrong.	Remove and re-install logs per the log placement instructions.
	Damaged pilot assembly.	Verify the pilot assembly ceramic insulator around the flame sensing rod is not cracked, damaged or loose. Check resistance between tip of sense rod and IFT2-ECM connector, should be less than 1 ohm. Replace pilot assembly if damage is detected.

D. Troubleshooting – Screen/LEDs/Control Panel

SYMPTOM	POSSIBLE CAUSE	CORRECTIVE ACTION
LED lights will not turn on (appliance or control panel)	No AC power to appliance	Check that GFCI breaker is operating as intended and is not tripped. Verify that AC power has been connected to the appliance. Ensure that both the 6V IPI control module power supply as well as the LED power supply are securely plugged into the appliance junction box.
	Faulty wiring	Check appliance for loose/corroded connections or shorted wires.
	LED failure	Check for 12VDC from power supply. If 12VDC is present, LED strip is bad.
	Power supply failure	Check for 12VDC. If no 12VDC is present, power supply is bad
	Control panel failure	Replace switch assembly
Appliance does not turn on when control panel on/off switch is depressed	No AC power to appliance	Check that GFCI breaker is operating as intended and is not tripped. Verify that AC power has been connected to the appliance. Ensure that both the 6V IPI control module power supply as well as the LED power supply are securely plugged into the appliance junction box.
	Faulty wiring	Check appliance for loose/corroded connections or shorted wires.
	Control panel failure	Replace control panel

6 Reference Materials

A. Accessories

Install approved accessories per instructions included with accessories. Contact your dealer for a list of approved accessories.

WARNING! Risk of Fire and Electric Shock! Use *ONLY* Hearth & Home Technologies-approved optional accessories with this appliance. Using non-listed accessories could result in a safety hazard and will void the warranty.

- **Crushed Glass Media**

- Diamond
- Bronze
- Onyx
- Sapphire

- **42" LED Light Kit (IFT2-AVFL42LED)**

LED light kit for AVFL42 that includes a wall switch for the appliance

- **Driftwood Log Set (CDLS)**

Driftwood log set (3 logs for AVFL42 and AVFL48, 4 logs for AVFL60)

- **Optional Finish Kits**

The AVFL appliances have three optional finish kits for each appliance size

- AVFL42TKI-B, AVFL48TKI, AVFL60TKI-B - Black inside fit trim kit
- AVFL42CFVC, AVFL48CFVC, AVFL60CFVC-B - Contemporary veined copper face
- AVFL42CFSB, AVFL48CFSB, AVFL60CFSB - Contemporary satin black face

- **Optional Stone Kit (STONEKIT)**

-The look of water tumbled stones adds interest and appeal to your appliance.

- **Outdoor Kit for AVFLST48 (AVFLST48SSODK)**

- **Black Magic Glass Kit for AVFL42 (AVFL42BGL)**

B. Service Parts



Service Parts

ARTISAN

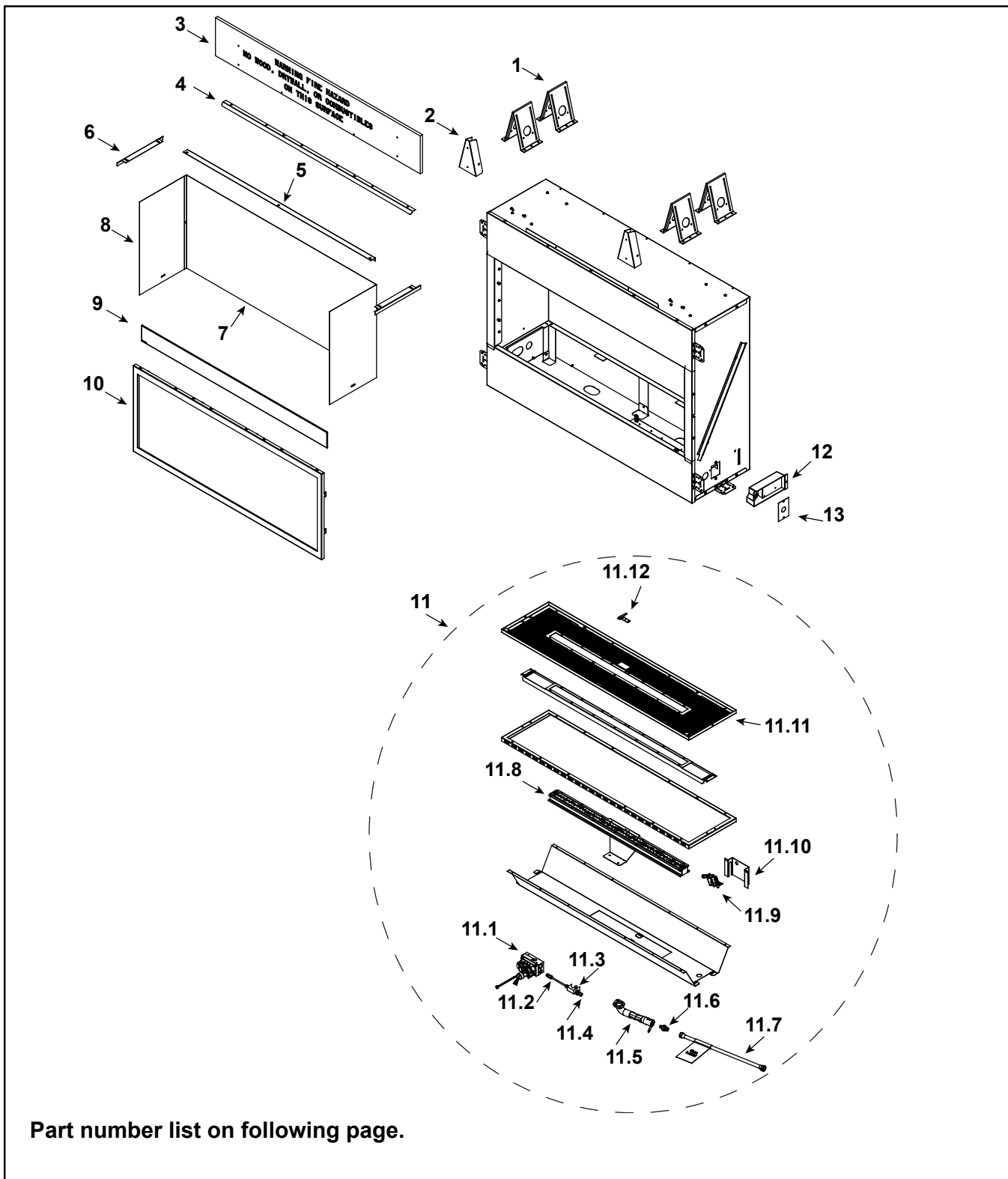
Beginning Manufacturing Date: Sept 2024

Ending Manufacturing Date: Active

42" Artisan Vent Free Linear Fireplace

AVFL42NIF-BU
AVFL42PIF-BU

AVFL42NIF-RB
AVFL42PIF-RB





Beginning Manufacturing Date: Sept 2024
Ending Manufacturing Date: Active

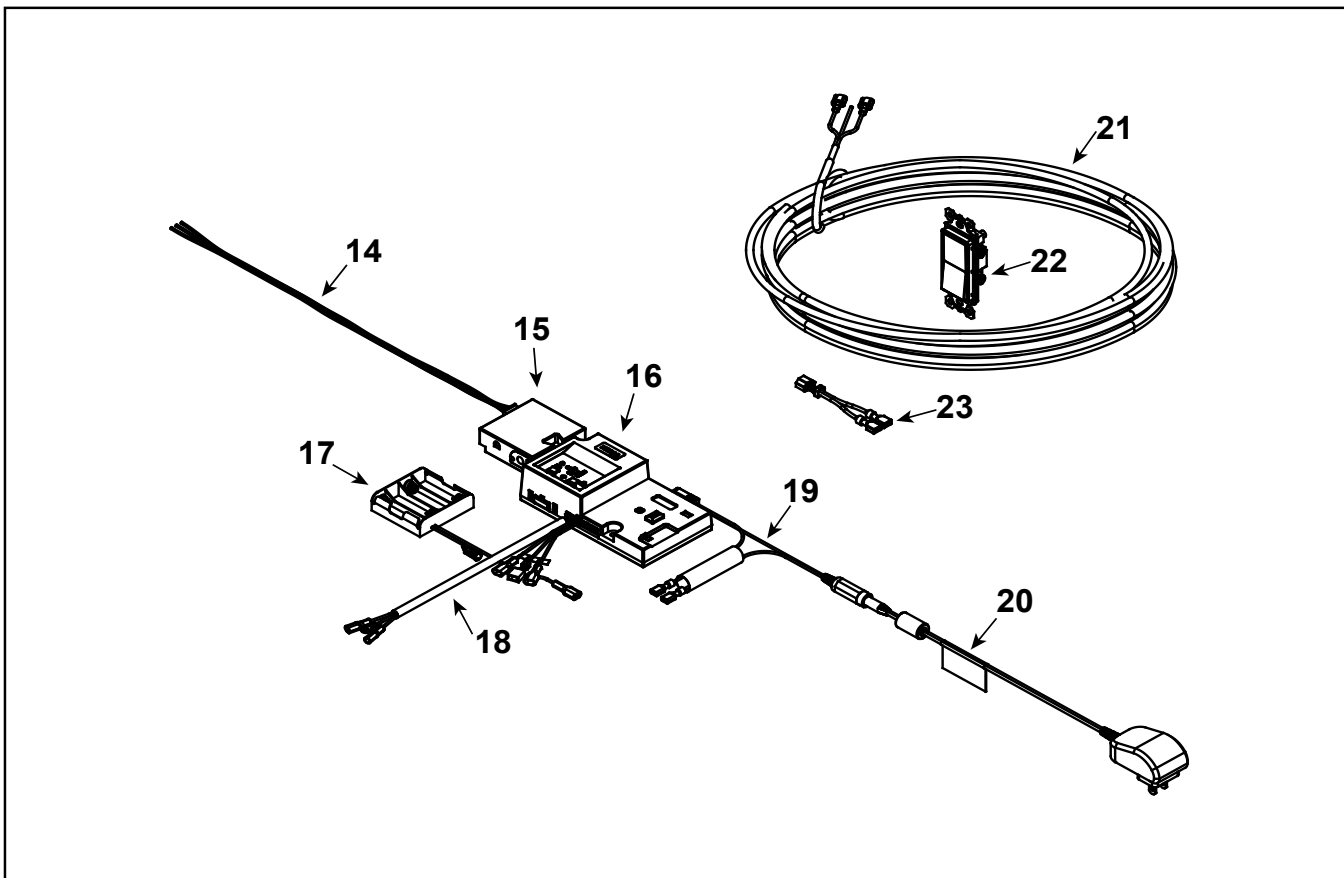
IMPORTANT: THIS IS DATED INFORMATION. Parts must be ordered from a dealer or distributor. **Hearth and Home Technologies does not sell directly to consumers.** Provide model number and serial number when requesting service parts from your dealer or distributor.



**Stocked
at Depot**

ITEM	DESCRIPTION	COMMENTS	PART NUMBER	
1	Top Standoff	Qty 4 req	SRV11864	
2	Bracket	Qty 2 req	SRV4099-198	
3	Non-combustible Board		SRV4115-325	
4	Hood		SRV4115-135	
5	Panel Bracket (Back)		SRV4115-195	
6	Panel Bracket (Sides)	Qty 2 req	SRV4099-196	
7	Back Panel		SRV4115-170	Y
8	Side Panel	Qty 2 req	SRV4115-171	Y
9	Deflection Glass		SRV4115-301	Y
10	Frame & Screen Assembly		SRV4115-029	Y
	Flex Line w/Shutoff		SRV69D0030	Y
11	Complete Service Engine	AVFL42NIF-RB	SRV4115-017	
		AVFL42PIF-RB	SRV4115-018	
		AVFL42NIF-BU	SRV4120-017	
		AVFL42PIF-BU	SRV4120-018	
11.1	Valve Assembly	NG	SRV4604-300	Y
		LP	SRV4604-301	Y
11.2	Tube, 3/16 Pilot (Cut into 2 lengths, for regulator to valve & pilot to regulator)		SRV20304115	Y
11.3	Pilot Regulator		SRV14D0469	Y
11.4	Fitting, 3/16 Tube x 1/8 NPT	Qty 2 req	SRV20H0109	Y
	Venturi Gasket		SRV4099-191	Y
11.5	Venturi Assembly	NG	SRV4099-034	Y
		LP	SRV4099-033	Y
11.6	Orifice Flare .0960 (#41) NG	AVFL42NIF-RB	SRV4018-353	Y
	Orifice Flare .0595 (#53) LP	AVFL42PIF-RB	SRV4018-352	Y
	Orifice Flare .1110 (#34) NG	AVFL42NIF-BU	SRV4018-390	Y
	Orifice Flare .0700 (#50) LP	AVFL42PIF-BU	SRV4018-375	Y
11.7	Flex Gas Line, 16"		SRV4121-006	
11.8	Burner Assembly		SRV4115-021	Y
11.9	Pilot Assembly	NG	SRV26D2529	Y
		LP	SRV14D0476	Y
11.10	Pilot Shield		SRV4099-141	
11.11	Screen Cover		SRV4115-109	
11.12	Pilot Carry Over		SRV4099-143	
	Piezo Wire Assembly		20303256K	Y
12	Junction Box		SRV4021-013	Y
13	Cover Plate		SRV4604-103	

Additional service part numbers appear on following page.

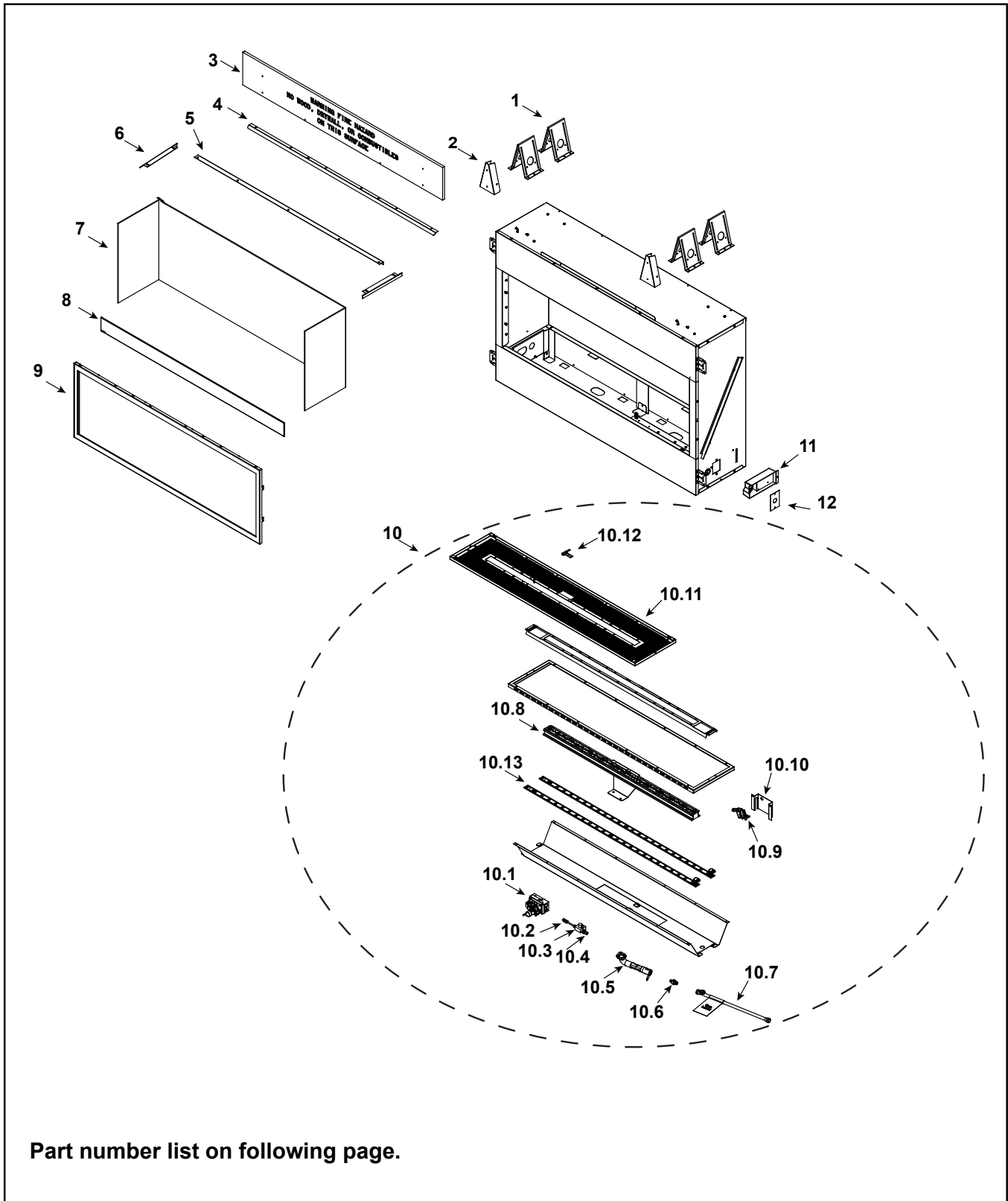


IMPORTANT: THIS IS DATED INFORMATION. Parts must be ordered from a dealer or distributor. **Hearth and Home Technologies does not sell directly to consumers.** Provide model number and serial number when requesting service parts from your dealer or distributor.



Stocked at Depot

ITEM	DESCRIPTION	COMMENTS	PART NUMBER	Stocked at Depot
14	Wiring Harness, Thermocouple Module		SRV20301890	Y
15	Thermocouple Module		SRV4018-064	Y
16	Module, IFT2 Control		SRV2564-130	Y
17	Battery Holder 4AA, IFT		SRV2326-134	Y
18	Harness, IFT 6 Pin Wiring		SRV2326-132	Y
19	Reset Switch Wire		SRV2326-135	
20	Transformer, 6 Volt Wall		SRV2326-131	Y
	Remote RC450		IFT2-RC450	
	Reset Switch		SRV2206-298	Y
	Reset Switch Bracket		SRV4099-138	
IFT 2.0 Wall Kit				
21	Thermostat Wire		SRV2118-170	Y
22	Wall Switch		20304686K	
23	Jumper Wire		SRV2187-198	Y





Service Parts

AVFL48NIF, AVFL48PIF

Beginning Manufacturing Date: Sept 2024
Ending Manufacturing Date: Active

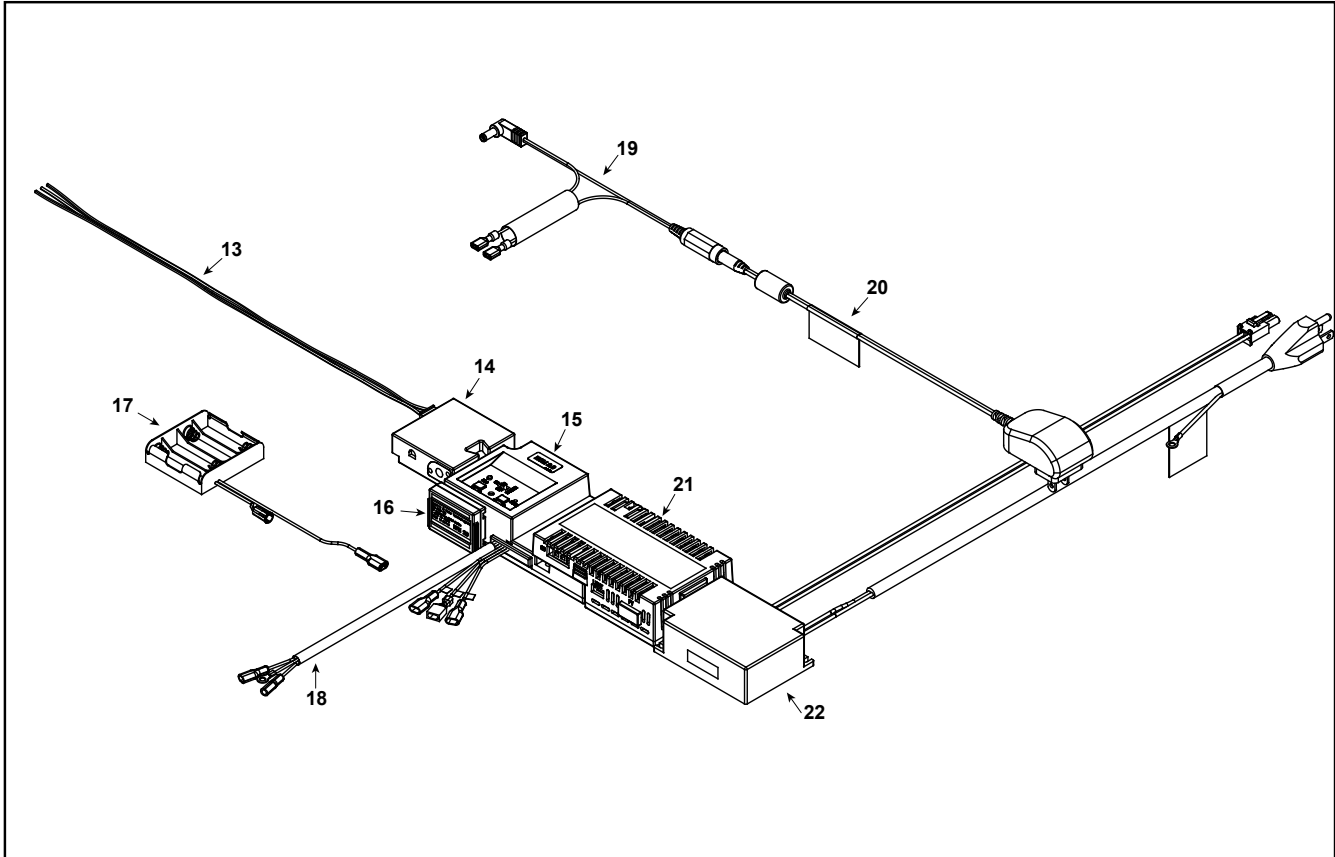
IMPORTANT: THIS IS DATED INFORMATION. Parts must be ordered from a dealer or distributor. **Hearth and Home Technologies does not sell directly to consumers.** Provide model number and serial number when requesting service parts from your dealer or distributor.



**Stocked
at Depot**

ITEM	DESCRIPTION	COMMENTS	PART NUMBER	
1	Top Standoff	Qty 4 Req	SRV11864	
2	Bracket	Qty 2 Req	SRV4099-198	
3	Non-Combustible Board		SRV4099-325	
4	Hood		SRV4099-135	
5	Panel Bracket (Back)		SRV4099-195	
6	Panel Bracket (Sides)	Qty 2 Req	SRV4099-196	
7	Black Glass Assembly (Includes Back & 2 Sides)		SRV4099-025	Y
8	Deflection Glass		SRV4111-301	Y
9	Frame & Screen Assembly		SRV4099-029	Y
	Flex Line w/Shut-off		SRV69D0030	Y
10	Complete Service Engine	NG	SRV4099-017	
		LP	SRV4099-018	
10.1	Valve Assembly	NG	SRV4604-300	Y
		LP	SRV4604-301	Y
10.2	Tube, 3/16 Pilot (Cut into 2 lengths, for regulator to valve & pilot to regulator)		SRV20304115	Y
10.3	Pilot Regulator		SRV14D0469	Y
10.4	Fitting, 3/16 Tube x 1/8 NPT	Qty 2 Req	SRV20H0109	Y
	Venturi Gasket		SRV4099-191	Y
10.5	Venturi Assembly	NG	SRV4099-034	Y
		LP	SRV4099-033	Y
10.6	Orifice Flare .120 (#31) NG	NG	SRV4018-345	Y
	Orifice Flare .076 (#48) LP	LP	SRV4018-349	Y
10.7	Flex Gas Line, 16"		SRV4121-006	
10.8	Burner Assembly		SRV4099-021	Y
10.9	Pilot Assembly	NG	SRV26D2529	Y
		LP	SRV14D0476	Y
10.10	Pilot Shield		SRV4099-141	Y
10.11	Screen Cover		SRV4099-109	
10.12	Pilot Carry Over		SRV4099-143	
10.13	LED Light Strip	Qty 2 Req	SRV4099-321	
	Piezo Wire Assembly		20303256K	Y
	Remote RC450		IFT2-RC450	
	Reset Switch		SRV2206-298	Y
	Reset Switch Bracket		SRV4099-138	
11	Junction Box		SRV4021-013	Y
12	Cover Plate		SRV4604-103	

Additional service part numbers appear on following page.



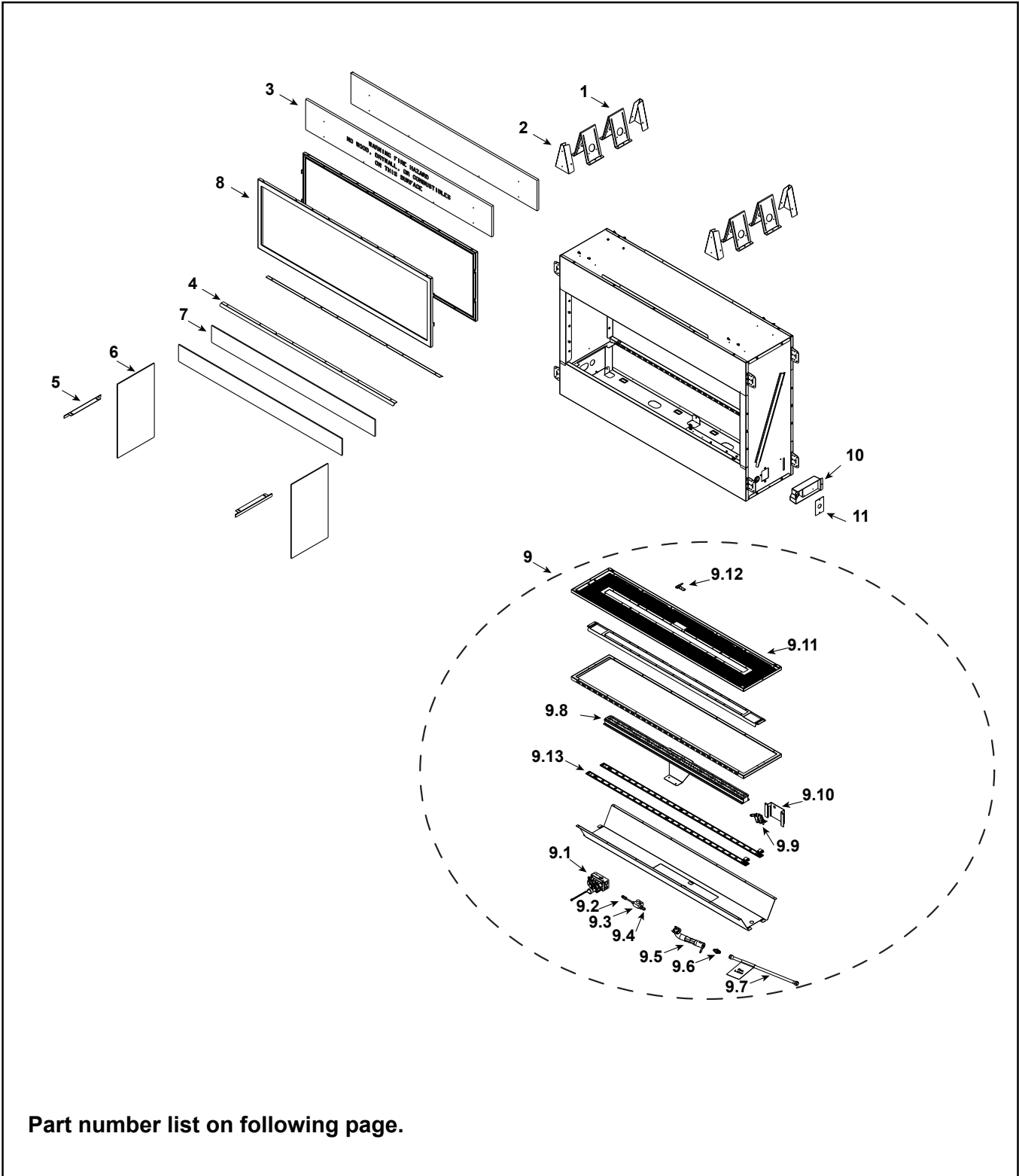
IMPORTANT: THIS IS DATED INFORMATION. Parts must be ordered from a dealer or distributor. **Hearth and Home Technologies does not sell directly to consumers.** Provide model number and serial number when requesting service parts from your dealer or distributor.



Stocked at Depot

ITEM	DESCRIPTION	COMMENTS	PART NUMBER	Stocked at Depot
13	Wiring Harness, Thermocouple Module		SRV20301890	Y
14	Thermocouple Module		SRV4018-064	Y
15	Module, IFT2 Control		SRV2564-130	Y
16	Module, RF FCC		SRV2564-120	Y
17	Battery Holder 4AA, IFT		SRV2326-134	Y
18	Harness, IFT 6 Pin Wiring		SRV2326-132	Y
19	Reset Switch Wire		SRV2326-135	
20	Transformer, 6 Volt Wall		SRV2326-131	Y
21	US-ACM Module		SRV2564-150	
22	LED 12V Power Supply		2326-113	Y
	Wire Assembly		SRV4604-304	Y
	Harness, Light Bar		SRV4121-410	

48" See-Through Artisan Vent Free Linear Fireplace





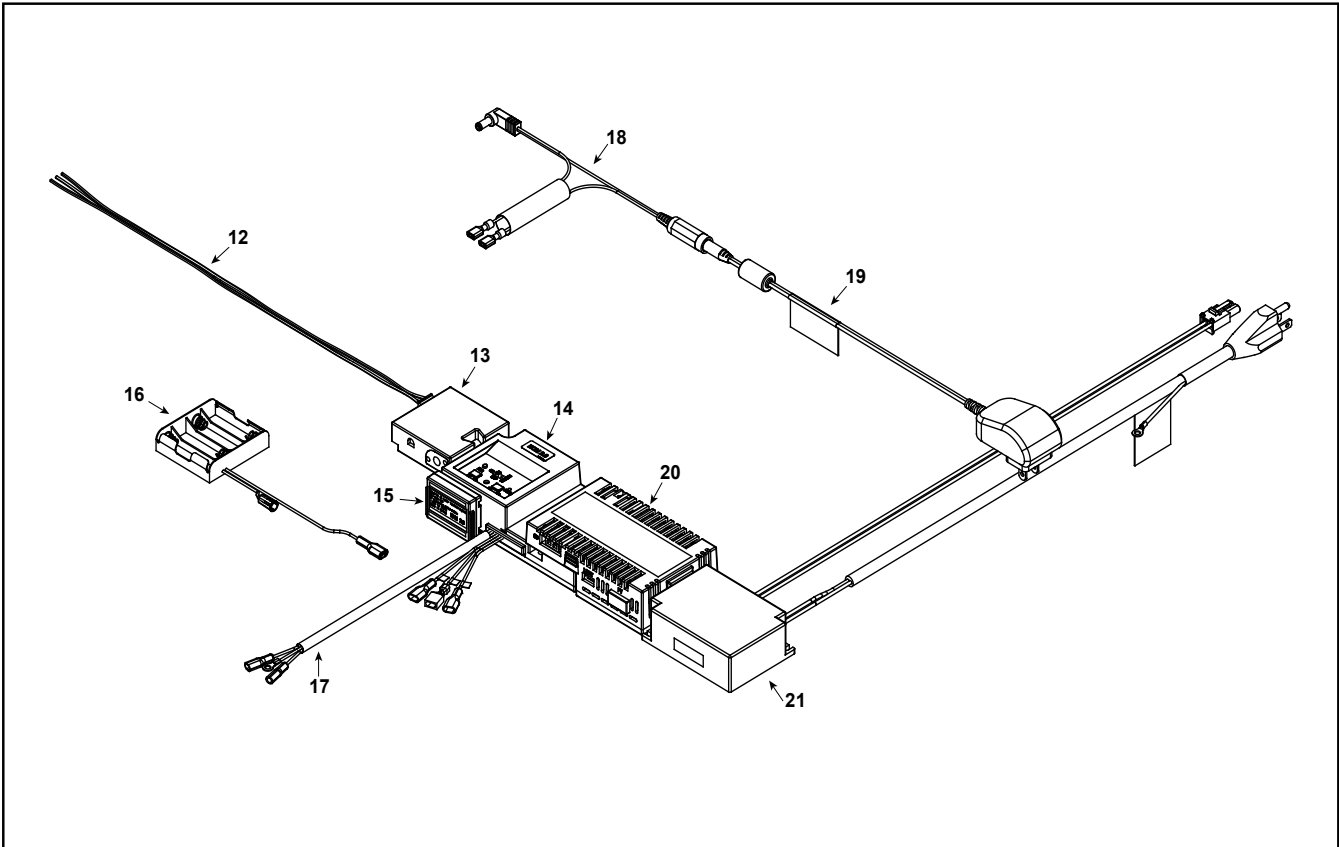
IMPORTANT: THIS IS DATED INFORMATION. Parts must be ordered from a dealer or distributor. **Hearth and Home Technologies does not sell directly to consumers.** Provide model number and serial number when requesting service parts from your dealer or distributor.



Stocked at Depot

ITEM	DESCRIPTION	COMMENTS	PART NUMBER	
1	Top Standoff	Qty 4 req	SRV11864	
2	Bracket	Qty 4 req	SRV4099-198	
3	Non-combustible Board	Qty 2 req	SRV4099-325	
4	Hood	Qty 2 req	SRV4099-135	
5	Black Glass Bracket (Sides)	Qty 2 req	SRV4099-196	
6	Black Glass Assembly (Includes 2 Sides)		SRV4102-025	Y
7	Deflection Glass	Qty 2 req	SRV4111-301	Y
8	Frame & Screen Assembly	Qty 2 req	SRV4099-029	Y
	Flex Line w/Shutoff		SRV69D0030	Y
9	Complete Service Engine	NG	SRV4099-017	
		LP	SRV4099-018	
9.1	Valve Assembly	NG	SRV4604-300	Y
		LP	SRV4604-301	Y
9.2	Tube, 3/16 Pilot (Cut into 2 lengths, for regulator to valve & pilot to regulator)		SRV20304115	Y
9.3	Pilot Regulator		SRV14D0469	Y
9.4	Fitting, 3/16 Tube x 1/8 NPT	Qty 2 req	SRV20H0109	Y
	Venturi Gasket		SRV4099-191	Y
9.5	Venturi Assembly	NG	SRV4099-034	Y
		LP	SRV4099-033	Y
9.6	Orifice Flare .120 (#31) NG	NG	SRV4018-345	Y
	Orifice Flare .076 (#48) LP	LP	SRV4018-349	Y
9.7	Flex Gas Line, 16"		SRV4121-006	
9.8	Burner Assembly		SRV4099-021	Y
9.9	Pilot Assembly	NG	SRV26D2529	Y
		LP	SRV14D0476	Y
9.10	Pilot Shield		SRV4099-141	
9.11	Screen Cover		SRV4099-109	
9.12	Pilot Carry Over		SRV4099-143	
9.13	LED Light Strip	Qty 2 req	SRV4099-321	Y
	Piezo Wire Assembly		20303256K	Y
	Remote RC450		IFT2-RC450	
	Reset Switch		SRV2206-298	Y
	Reset Switch Bracket		SRV4099-138	
10	Junction Box		SRV4021-013	Y
11	Cover Plate		SRV4604-103	

Additional service part numbers appear on following page.

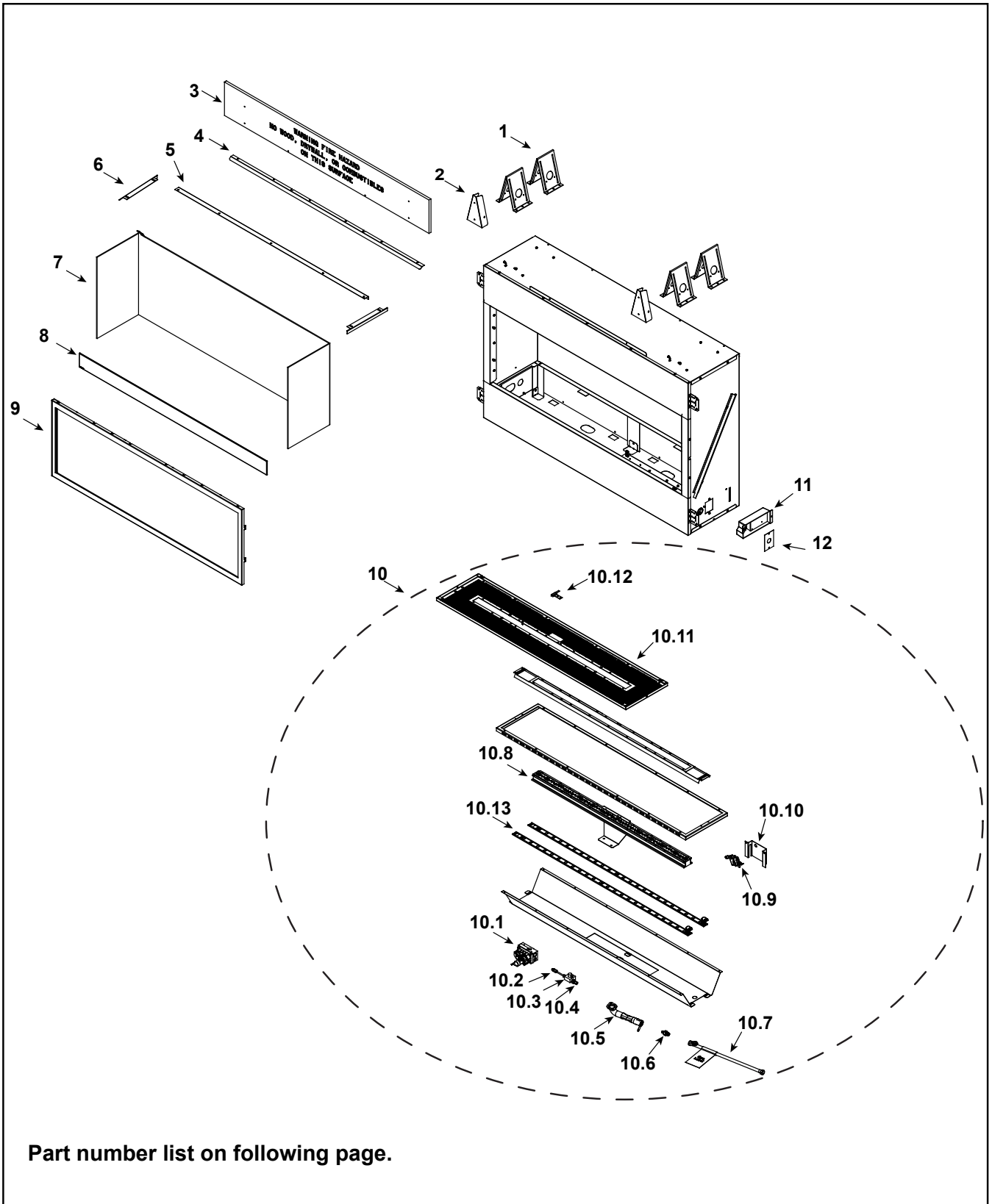


IMPORTANT: THIS IS DATED INFORMATION. Parts must be ordered from a dealer or distributor. **Hearth and Home Technologies does not sell directly to consumers.** Provide model number and serial number when requesting service parts from your dealer or distributor.



Stocked at Depot

ITEM	DESCRIPTION	COMMENTS	PART NUMBER	Stocked at Depot
12	Wiring Harness, Thermocouple Module		SRV20301890	Y
13	Thermocouple Module		SRV4018-064	Y
14	Module, IFT2 Control		SRV2564-130	Y
15	Module, RF FCC		SRV2564-120	Y
16	Battery Holder 4AA, IFT		SRV2326-134	Y
17	Harness, IFT 6 Pin Wiring		SRV2326-132	Y
18	Reset Switch Wire		SRV2326-135	
19	Transformer, 6 Volt Wall		SRV2326-131	Y
20	US-ACM Module		SRV2564-150	
21	LED 12V Power Supply		2326-113	Y
	Wire Assembly		SRV4604-304	Y
	Harness, Light Bar		SRV4121-410	



Part number list on following page.



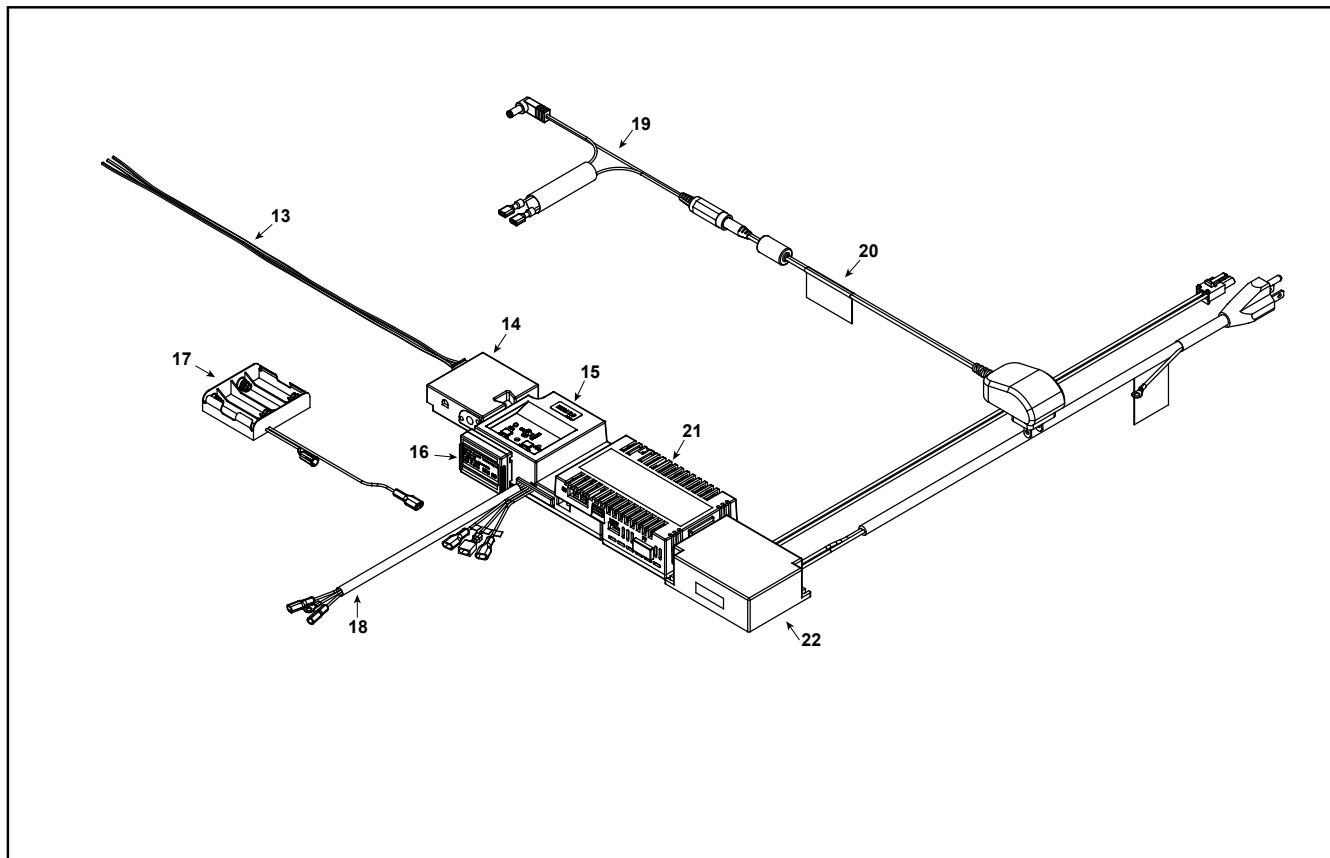
IMPORTANT: THIS IS DATED INFORMATION. Parts must be ordered from a dealer or distributor. **Hearth and Home Technologies does not sell directly to consumers.** Provide model number and serial number when requesting service parts from your dealer or distributor.



Stocked at Depot

ITEM	DESCRIPTION	COMMENTS	PART NUMBER	
1	Top Standoff	Qty 4 Req	SRV11864	
2	Bracket	Qty 2 Req	SRV4099-198	
3	Non-Combustible Board		SRV4101-325	
4	Hood		SRV4101-135	
5	Panel Bracket (Back)		SRV4101-195	
6	Panel Bracket (Sides)	Qty 2 Req	SRV4099-196	
7	Black Glass Assembly (Includes Back & 2 Sides)		SRV4101-025	Y
8	Deflection Glass		SRV4112-301	Y
9	Frame & Screen Assembly		SRV4101-029	Y
	Flex Line w/Shut-off		SRV69D0030	Y
10	Complete Service Engine	NG	SRV4101-017	
		LP	SRV4101-018	
10.1	Valve Assembly	NG	SRV4604-300	Y
		LP	SRV4604-301	Y
10.2	Tube, 3/16 Pilot (Cut into 2 lengths, for regulator to valve & pilot to regulator)		SRV20304115	Y
10.3	Pilot Regulator		SRV14D0469	Y
10.4	Fitting, 3/16 Tube x 1/8 NPT	Qty 2 Req	SRV20H0109	Y
	Venturi Gasket		SRV4099-191	Y
10.5	Venturi Assembly	NG	SRV4099-034	Y
		LP	SRV4099-033	Y
10.6	Orifice Flare .120 (#31) NG	NG	SRV4018-345	Y
	Orifice Flare .076 (#48) LP	LP	SRV4018-349	Y
10.7	Flex Gas Line, 16"		SRV4121-006	
10.8	Burner Assembly		SRV4099-021	Y
10.9	Pilot Assembly	NG	SRV26D2529	Y
		LP	SRV14D0476	Y
10.10	Pilot Shield		SRV4099-141	Y
10.11	Screen Cover		SRV4099-109	
10.12	Pilot Carry Over		SRV4099-143	
10.13	LED Light Strip	Qty 2 Req	SRV4101-321	
	Piezo Wire Assembly		20303256K	Y
	Remote RC450		IFT2-RC450	
	Reset Switch		SRV2206-298	Y
	Reset Switch Bracket		SRV4099-138	
11	Junction Box		SRV4021-013	Y
12	Cover Plate		SRV4604-103	

Additional service part numbers appear on following page.



IMPORTANT: THIS IS DATED INFORMATION. Parts must be ordered from a dealer or distributor. **Hearth and Home Technologies does not sell directly to consumers.** Provide model number and serial number when requesting service parts from your dealer or distributor.



Stocked at Depot

ITEM	DESCRIPTION	COMMENTS	PART NUMBER	Stocked at Depot
13	Wiring Harness, Thermocouple Module		SRV20301890	Y
14	Thermocouple Module		SRV4018-064	Y
15	Module, IFT2 Control		SRV2564-130	Y
16	Module, RF FCC		SRV2564-120	Y
17	Battery Holder 4AA, IFT		SRV2326-134	Y
18	Harness, IFT 6 Pin Wiring		SRV2326-132	Y
19	Reset Switch Wire		SRV2326-135	
20	Transformer, 6 Volt Wall		SRV2326-131	Y
21	US-ACM Module		SRV2564-150	
22	LED 12V Power Supply		2326-113	Y
	Wire Assembly		SRV4604-304	Y
	Harness, Light Bar		SRV4121-410	

C. MASSACHUSETTS RESIDENTS ONLY

Please read and follow these special requirements

NOTE REGARDING VENTED PRODUCTS

This product must be installed by a licensed plumber or gas fitter when installed within the Commonwealth of Massachusetts.

Any residence with a direct vent product must have a carbon monoxide (CO) detector installed in the residence.

Installation of the fireplace or vented gas log in the State of Massachusetts requires the damper to be permanently removed or welded in the fully open position.

In addition, a naturally vented gas log may not be installed in a bedroom or bathroom in the State of Massachusetts.

Flex line installation must not exceed 36 inches and must have a T shutoff valve.

NOTE REGARDING VENT FREE PRODUCTS

This product must be installed by a licensed plumber or gas fitter when installed within the Commonwealth of Massachusetts.

In addition, vent free products may not be installed in a bedroom or bathroom regardless of size or type in the State of Massachusetts.

Flex line installation must not exceed 36 inches and must have a T shutoff valve.

CARBON MONOXIDE DETECTOR REQUIREMENTS

(2) Revise 10.8.3 by adding the following additional requirements:

(a) For all side wall horizontally vented gas fueled equipment installed in every dwelling, building or structure used in whole or in part for residential purposes, including those owned or operated by the Commonwealth and where the side wall exhaust vent termination is less than seven (7) feet above finished grade in the area of the venting, including but not limited to decks and porches, the following requirements shall be satisfied:

1. **Installation of carbon monoxide detectors.** At the time of installation of the side wall horizontal vented gas fueled equipment, the installing plumber or gas fitter shall observe that a hard wired carbon monoxide detector with an alarm and battery back-up is installed on the floor level where the gas equipment is to be installed. In addition, the installing plumber or gas fitter shall observe that a battery operated or hard wired carbon monoxide detector with an alarm is installed on each additional level of the dwelling, building or structure served by the side wall horizontal vented gas fueled equipment. It shall be the responsibility of the property owner to secure the services of qualified licensed professionals for the installation of hard wired carbon monoxide detectors

a. In the event that the side wall horizontally vented gas fueled equipment is installed in a crawl space or an attic, the hard wired carbon monoxide detector with alarm and battery back-up may be installed on the next adjacent floor level.

b. In the event that the requirements of this subdivision can not be met at the time of completion of installation, the owner shall have a period of thirty (30) days to comply with the above requirements; provided, however, that during said thirty (30) day period, a battery operated carbon monoxide detector with an alarm shall be installed.

2. **Approved Carbon Monoxide Detectors.** Each carbon monoxide detector as required in accordance with the above provisions shall comply with NFPA 720 and be ANSI/UL 2034 listed and IAS certified.

3. **Signage.** A metal or plastic identification plate shall be permanently mounted to the exterior of the building at a minimum height of eight (8) feet above grade directly in line with the exhaust vent terminal for the horizontally vented gas fueled heating appliance or equipment. The sign shall read, in print size no less than one-half (1/2) inch in size, "GAS VENT DIRECTLY BELOW. KEEP CLEAR OF ALL OBSTRUCTIONS."

4. **Inspection.** The state or local gas inspector of the side wall horizontally vented gas fueled equipment shall not approve the installation unless, upon inspection, the inspector observes carbon monoxide detectors and signage installed in accordance with the provisions of 248 CMR 5.08(2)(a)1 through 4.

(b) **Exemptions:** The following equipment is exempt from 248 CMR 5.08(2)(a)1 through 4:

1. The equipment listed in Chapter 10 entitled "Equipment Not Required To Be Vented" in the most current edition of NFPA 54 as adopted by the Board; and

2. Product Approved side wall horizontally vented gas fueled equipment installed in a room or structure separate from the dwelling, building or structure used in whole or in part for residential purposes.

(c) **Manufacturer requirements — Gas Equipment Venting System Provided.** When the manufacturer of Product Approved side wall horizontally vented gas equipment provides a venting system design or venting system components with the equipment, the instructions provided by the manufacturer for installation of the equipment and the venting system shall include:

1. Detailed instructions for the installation of the venting system design or the venting system components; and

2. A complete parts list for the venting system design or venting system.

(d) **Manufacturer requirements — Gas Equipment Venting System Not Provided.** When the manufacturer of a Product Approved side wall horizontally vented gas fueled equipment does not provide the parts for venting the flue gases, but identifies "special venting systems," the following requirements shall be satisfied by the manufacturer:

1. The referenced "special venting system" instructions shall be included with the appliance or equipment installation instructions; and

2. The "special venting systems" shall be Product Approved by the Board, and the instructions for that system shall include a parts list and detailed installation instructions.

(e) A copy of all installation instructions for all Product Approved side wall horizontally vented gas fueled equipment, all venting instructions, all parts lists for venting instructions, and/or all venting design



D. Contact Information



Monessen, a brand of Hearth & Home Technologies
7571 215th Street West, Lakeville, MN 55044
www.monessenhearth.com

Please contact your dealer with any questions or concerns.
For the location of your nearest dealer,
please visit www.monessenhearth.com

- NOTES -

NOTICE		
	DO NOT DISCARD THIS MANUAL	
<ul style="list-style-type: none">• Important operating and maintenance instructions included.	<ul style="list-style-type: none">• Read, understand and follow these instructions for safe installation and operation.	<ul style="list-style-type: none">• Leave this manual with party responsible for use and operation.

This product may be covered by one or more of the following patents: (United States) 7077122, 7074035, 7234932, 7322819, 7422011, 7726300, 8147240, 9625149 or other U.S. and foreign patents pending.

2000-945F

Printed in U.S.A. - Copyright 2016