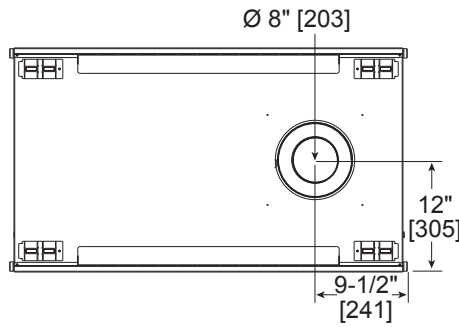


MAJESTIC

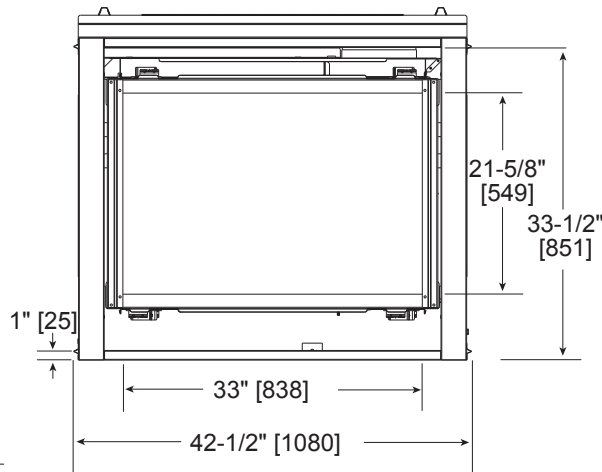
Please consult the manufacturer's installation manual for all details and requirements before making a final design layout decision.

**PEARL II
SEE-THROUGH**
Direct Vent Gas Fireplace

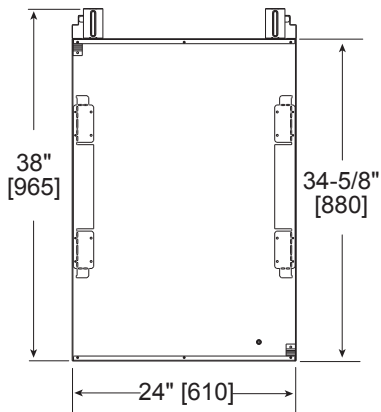
MODEL	HEIGHT		FRONT WIDTH		BACK WIDTH		DEPTH		GLASS SIZE
	Actual	Framing	Actual	Framing	Actual	Framing	Actual	Framing	
PEARL36STIN	38" [965]	38-1/8" [968]	42-1/2" [1080]	43" [1092]	42-1/2" [1080]	43" [1092]	24" [610]	23" [584]	33" x 21-5/8" [838 x 549]



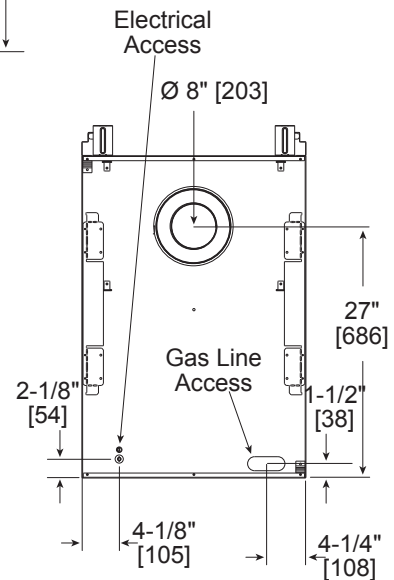
TOP VIEW



FRONT VIEW



LEFT SIDE

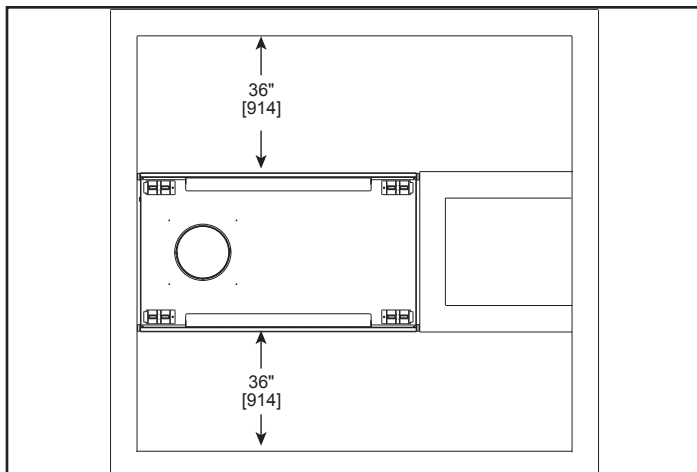


RIGHT SIDE

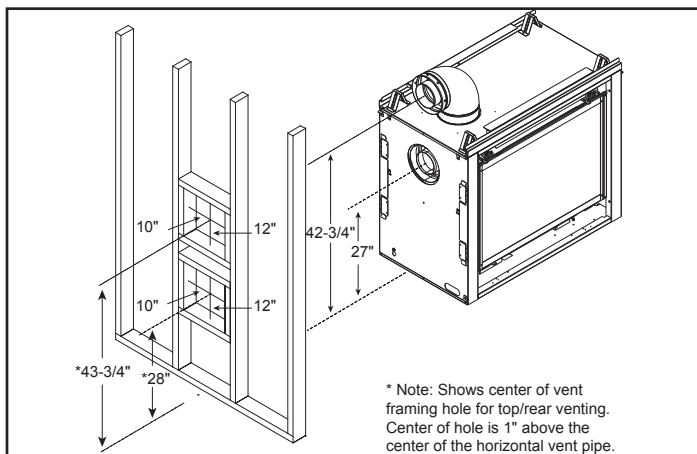
MINIMUM FIREPLACE CLEARANCES

AREA	TO COMBUSTIBLES
CLEARANCE TO CEILING	31
COMBUSTIBLE/NON-COMBUSTIBLE FLOOR	0"
ENDS OF APPLIANCE	1/2"
GLASS SIDES OF APPLIANCE	36"

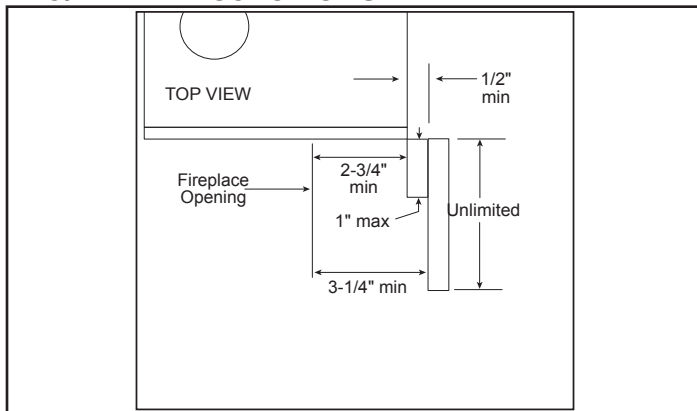
APPLIANCE LOCATION



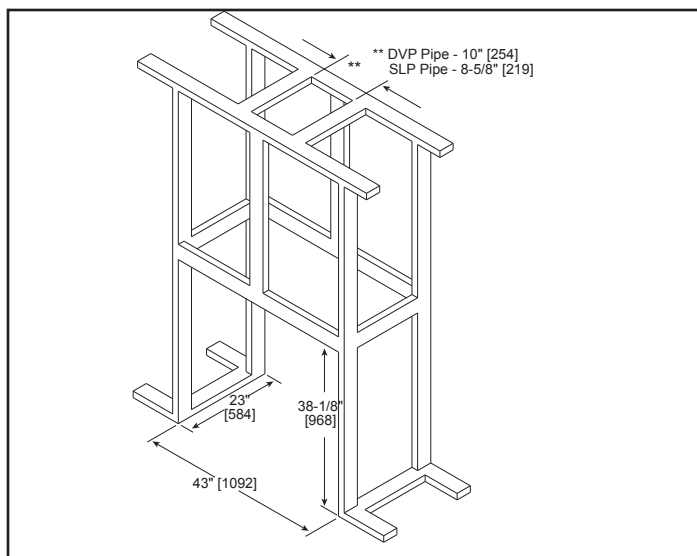
WALL PENETRATION



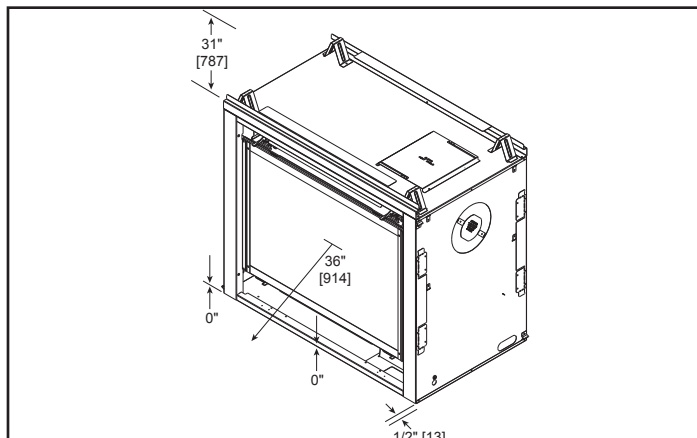
LEG/WALL PROJECTIONS



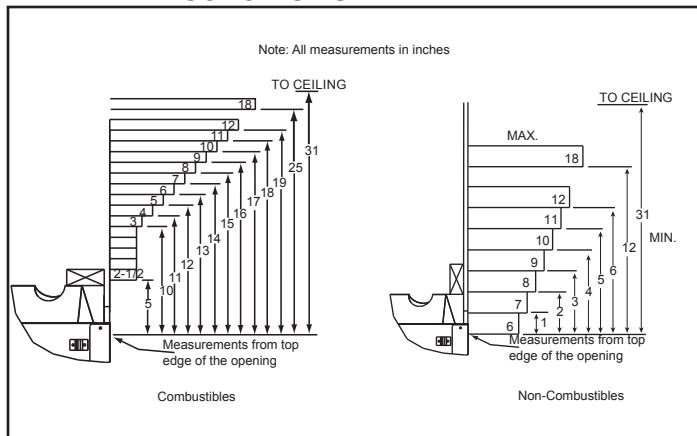
FRAMING DIMENSIONS



CLEARANCES TO COMBUSTIBLES



MANTEL PROJECTIONS



PRODUCT LISTING CODES	
US	ANSI Z21.88-2016
CAN	CSA 2.33-2016

Product information provided is not complete and is subject to change without notice. Product installation must adhere strictly to instructions accompanying product to avoid risk of fire and potential injury.

Additional information can be found online at www.majesticproducts.com