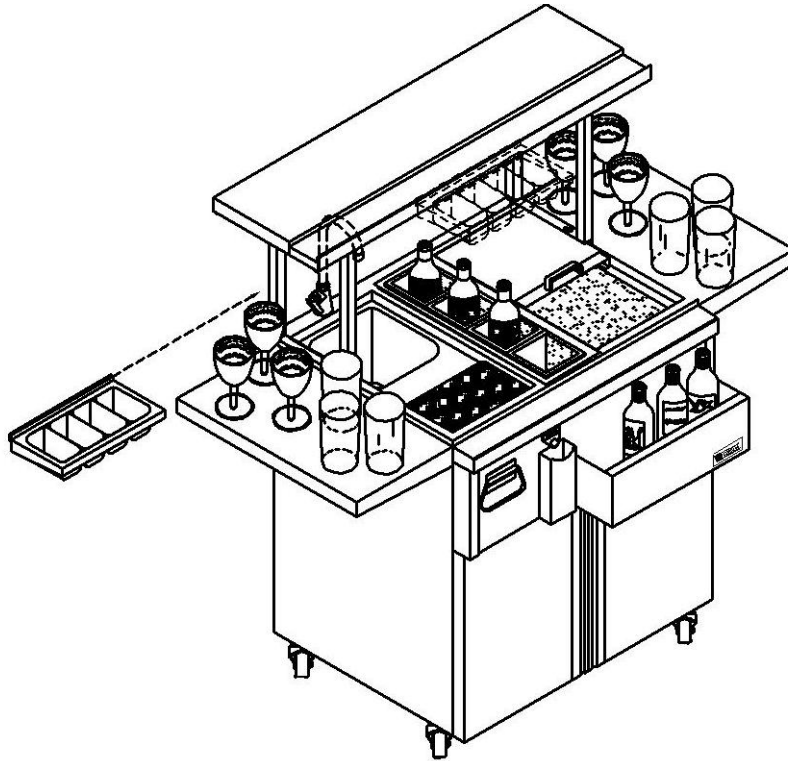


LYNX COCKTAIL PRO

INSTALLATION AND ASSEMBLY INSTRUCTIONS



Model CS30F Shown
With Top Mounted Pass Shelf

| Models: | Description: |
|---------|--|
| CS30-1 | Counter top unit with cold water faucet and sink assembly including water filter, ice bin, bottle well holder with inserts, speed rail, bottle opener with catch pan, towel holder and LED lighting on the front panel |
| CS30F-1 | Free-Standing model with stainless steel cart, four casters, two stainless steel doors, storage areas, cold water faucet and sink assembly including water filter, ice bin, bottle well holder with inserts, speed rail, bottle opener with catch pan, towel holder, LED lighting on the front panel and optional (CSPS) top-mounted Pass Shelf with condiment trays and halogen lighting (2008 and older models only) |
| CSPS | |

Note to Installer: Please leave these instructions with the homeowner

Note to Homeowner: Please keep these instructions for future reference.

Installation Instructions CS30-1 and CS30F-1

- Remove any protective wrapping
- Remove the speed rail, ice bin cover, bottle cap holder, faucet and water filter assemblies, water filter holder and cutting board from the inside of the ice bin
- Assemble the faucet assembly and place into the mounting hole at the rear of the sink and secure it in place with the lock nuts provided



- Position the cocktail pro CS30-1 in the island cutout (Does not apply to the CS30F)
- Install a PVC drain line to the 1½” brass drain of the ice bin and sink. These may be connected to single drain. Extend the drain line through the back of the island, or out of the lower rear panel of the CS30F-1.
- Locate a convenient place below the CS30-1 and mount the water filter holder, attach the flexible water tubing to the faucet inlet. Key lock studs are provided in the cabinet below the CS30F-1 to mount the water filter holder
- Install the cold water line to the inlet side of the water filter or a garden hose may be used.
- Once in place the CS30-1 cocktail pro can be sealed to the counter top using clear, all-weather silicone sealant
- Remove protective wrapping from the speed rail, bottle cap holder, ice-bin cover and cutting board
- Hang the speed rail and bottle cap holder from the front of the cocktail pro using the key-lock studs
- Place the two piece sliding ice bin cover on the ice bin rail and place the cutting board on the front of the sink’s drain board
- To install the Pass Shelf refer to the instructions accompanying the assembly

Electrical Requirements for CS30-1 and CS30F-1

WARNING: Electrical Grounding Instructions:

This outdoor appliance is equipped with a three-pronged (grounding) plug for your protection against shock hazard and should be plugged directly into a properly grounded three-prong outlet. Do not cut or remove the third prong from this plug.

- Installation must include an outdoor rated, 120 VAC, 15 amp Ground Fault Interrupter (GFI) electric outlet located adjacent to the appliance. A qualified electrician should install a GFI outlet either inside the built-in enclosure or near the normally used location for the free standing units.
- Free standing units may be plugged directly to a GFI protected outlet, built-in units must have the 12 V transformer installed during installation.
- The transformer connection on the CS30-1 built-in model is located at the left rear of the Cocktail Pro frame



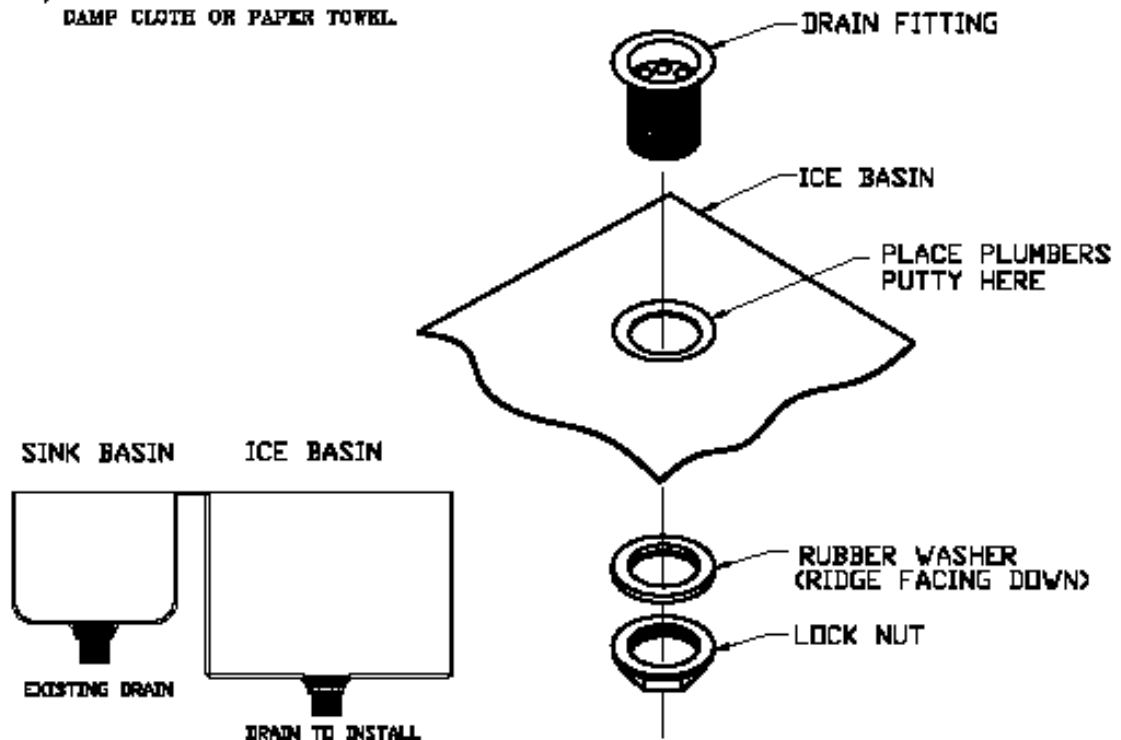
The transformer must be installed in a dry location

DRAIN INSTALLATION

CS30



- 1) PLACE A SMALL AMOUNT OF PLUMBERS PUTTY AROUND TOP EDGE OF DRAIN HOLE IN ICE BASIN.
- 2) INSERT DRAIN FITTING, FROM TOP DOWN, INTO DRAIN HOLE IN ICE BASIN.
- 3) INSTALL RUBBER WASHER ONTO DRAIN FITTING FROM UNDERSIDE OF BASIN. MAKE SURE THAT THE RIDGE ON THE RUBBER WASHER IS FACING DOWNWARD.
- 4) THREAD LOCK-NUT OVER THREAD OF DRAIN FITTING WITH FLANGE OF LOCK NUT FACING UPWARD
- 5) THREAD LOCK-NUT ALL THE WAY UP AND TIGHTEN SECURELY AGAINST RUBBER WASHER.
- 6) REMOVE THE EXCESS PLUMBERS PUTTY WITH A DAMP CLOTH OR PAPER TOWEL.



P/N 31992

Parts List for CS30-1 and CS30F-1

| | |
|-------------|---|
| Part Number | COCKTAIL PRO |
| 80282 | CS30 Body Assembly |
| 80348 | LED Light Assembly |
| 32246 | Front Panel |
| 80356 | Speed Rail |
| 80359 | Bottle Well Assembly |
| 80357 | Bottle Cap Catcher used with L10003 Bottle Opener |
| 31663 | Towel Ring used with 31662 Towel Ring Center Hub |
| 80358 | Sliding Cover Frame |
| 30253 | Sliding Cover Top Section used with 10165 Handle |
| 30252 | Sliding Cover Bottom Section |
| 32614 | Drain Kit |
| 13043 | Faucet |
| 20001 | Cutting Board |
| 13004 | Water Filter Housing |
| 13035 | Water Filter Cartridge |
| 80360 | Light Switch Harness |
| 32113 | Transformer, Single Power |
| 80350 | Cabinet CS30 2008 Model Year |
| 80354 | Pass Shelf Assembly |
| 80351 | Pass Shelf Left Bracket |
| 80352 | Pass Shelf Right Bracket |
| 80355 | Condiment Tray |
| 80353 | Pass Shelf Halogen Light Assembly |

Notes

Notes

Limited Lifetime Warranty

Lynx warrants that the stainless steel housing will be free from defects in material and workmanship when subjected to normal domestic use and service for the lifetime of the original purchaser. This warranty excludes surface corrosion, scratches, and discoloration which may occur during regular use.

This warranty does not apply to damage resulting from misuse, abuse, alteration, accident, hostile environments, improper installation or installation code violations.

Limited Five Year Warranty

Lynx warrants the structural integrity of the interior and exterior body parts for 5 years from the date of purchase. This warranty is limited to replacement of the component/part if deterioration occurs to the point of non-performance. Replacement parts are shipped F.O.B. from Lynx Professional Grills, Commerce, CA. Lynx is not responsible for transportation costs, export duties or installation costs.

Limited One Year Warranty

Lynx warrants all other components to the original purchaser to be free from factory defects in material and workmanship for one year from the original date of purchase.

Limitations

Lynx Professional Grills shall not be liable for incidental, consequential, special or contingent damages resulting from its breach of this written warranty or any implied warranty. This warranty applies only to the original purchaser and may not be transferred.

Replacement parts will be provided in accordance with the above warranty with the owner paying all other costs. Labor costs are covered for the first year of ownership only.

This warranty is in lieu of all other warranties, expressed or implied or any other obligations or liabilities in connection with the sale of this appliance.

Some states do not allow limitations on how long an implied warranty lasts, or the exclusions of, or limitations to consequential damages. This warranty gives you specific legal rights, and other rights that vary from state to state.

Replacement parts may be obtained from the manufacturer by calling the technical support center at 888-289-5969. Be sure to provide model number and serial number and proof of purchase for any warranty claims.