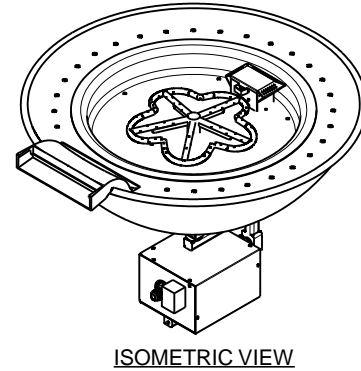
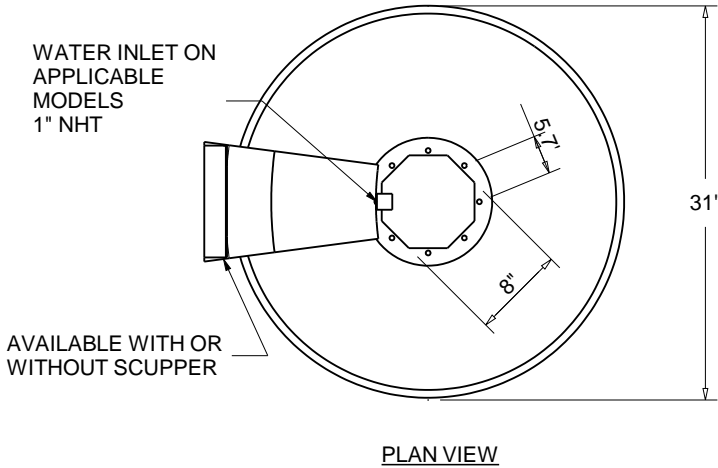




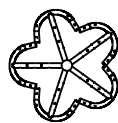
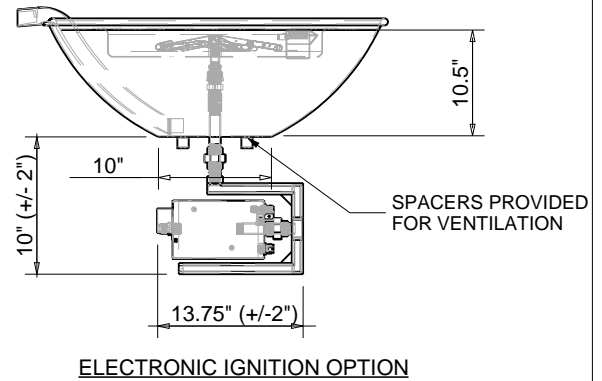
**Hearth Products Controls Co**  
**CSA CERTIFIED FIRE PIT INSERT**  
**OUTDOOR USE ONLY**  
**FOR COMMERCIAL AND RESIDENTIAL USE**

HEARTH PRODUCTS CONTROLS  
 3050 PLAINFIELD RD.  
 KETTERING, OH 45432  
 TOLL FREE: 1-877-433-7001  
 PHONE: (937) 433-7000  
 FAX: (937) 433-0704  
 www.hpcfire.com

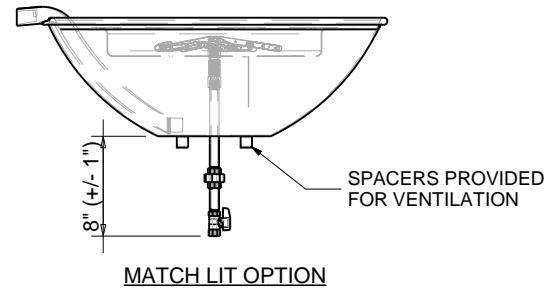


MATERIAL:  
 FIRE PIT INSERT - 304 STAINLESS STEEL  
 BOWL - COPPER

PART NUMBER	WATER SCUPPER	IGNITION	STND BTU	VOLTAGE
TEMP31-EI	NO	ELECTRONIC	65K	120VAC/24VAC
TEMP31W-EI	YES	ELECTRONIC	65K	120VAC/24VAC
TEMP31-MLFPK	NO	MATCH LIT	50K	-
TEMP31W-MLFPK	YES	MATCH LIT	50K	-



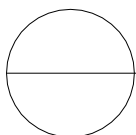
PENTA BURNER



MATCH LIT OPTION

Notes:

1. FOR USE WITH FIXED PIPING SYSTEMS ONLY.
2. NOT FOR USE WITH SMALL TANKS.
3. ALL ENCLOSURES REQUIRE 4 each 18 SQ/IN VENTS ON OPPOSING SIDES AND ADEQUATE DRAINAGE.
4. RESIDENTIAL GAS PRESSURE ONLY. (NG- 7.0" WC, LP- 11.0" WC)
5. MODIFICATION OF PRODUCT WILL VOID ANY CERTIFICATION AND WARRANTY.
6. FOLLOW ALL MANUFACTURER INSTALLATION INSTRUCTIONS AND LOCAL CODES.
7. ALL DIMENSIONS ARE CONSIDERED TRUE AND REFLECT MANUFACTURER'S SPECIFICATIONS AS OF THE REVISION DATE.
8. DO NOT SCALE DRAWING.
9. THESE DRAWINGS ARE FOR SIZING AND PLANNING PURPOSES. ALL INFORMATION CONTAINED HEREIN WAS CURRENT AT THE TIME OF DEVELOPMENT. THE MANUFACTURER'S RESPONSIBLE FOR THE ACCURACY OF THE DRAWING.
10. CONTRACTOR'S NOTE: FOR PRODUCT AND COMPANY INFORMATION VISIT [www.CADdetails.com/info](http://www.CADdetails.com/info) REFERENCE NUMBER 771-019.



TEMPE WITH EI FIRE PIT- FLAME SENSING WITH ELECTRONIC HOT SURFACE IGNITION  
 TEMPE WITH MATCH LIT FIRE PIT INSERT