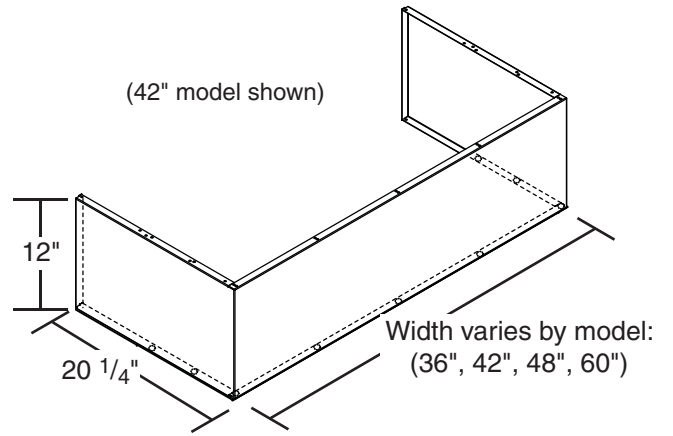




Vent Hood Duct Cover

Models: (36,42,48,60)-VH-(6,7)-DC

(only compatible with VH-6 or VH-7 series vent hoods)



This Fire Magic Duct Cover is specifically designed for your Fire Magic Vent Hood. To install, read and follow all instructions in the owner's manual provided with your vent hood.

Reference the parts list below to identify the hardware included with your cover (to be used during installation).

Item	Description	36" Model Qty.	42" Model Qty.	48" Model Qty.	60" Model Qty.
1.	8-32 x 3/8" screws *	8	9	9	10

* Not shown

ROBERT H. PETERSON CO. • 14724 East Proctor Avenue • City of Industry, CA 91746

REV 1 - 1810051540

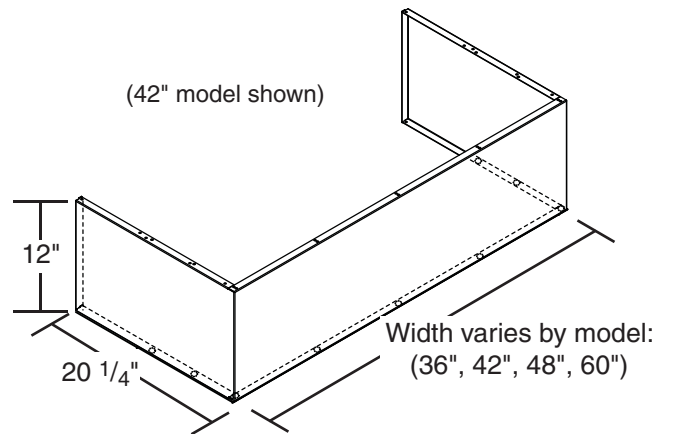
L-C2-427



Vent Hood Duct Cover

Models: (36,42,48,60)-VH-(6,7)-DC

(only compatible with VH-6 or VH-7 series vent hoods)



This Fire Magic Duct Cover is specifically designed for your Fire Magic Vent Hood. To install, read and follow all instructions in the owner's manual provided with your vent hood.

Reference the parts list below to identify the hardware included with your cover (to be used during installation).

Item	Description	36" Model Qty.	42" Model Qty.	48" Model Qty.	60" Model Qty.
1.	8-32 x 3/8" screws *	8	9	9	10

* Not shown

ROBERT H. PETERSON CO. • 14724 East Proctor Avenue • City of Industry, CA 91746

REV 1 - 1810051540

L-C2-427