



GAS GRILL CART BASE

660-SC24 & 790-SC24

INSTALLATION AND OWNER'S MANUAL

INSTALLER: Leave these instructions with consumer.
CONSUMER: Retain for future reference.



(790-SC24 Model shown)

IMPORTANT: READ THESE INSTRUCTIONS CAREFULLY BEFORE STARTING INSTALLATION OR USE.

	CART BASE MODELS	
	660-SC24	790-SC24
Compatible Units	2024 models to current: E660i Grill & Griddle, A660i Grill & Griddle, 4600 & 5660 Pizza Oven	2024 models to current: E790i Grill, A790i Grill

WARNINGS AND SAFETY CODES

IN ADDITION TO THIS DOCUMENT, ALL INFORMATION INCLUDING WARNINGS, SAFETY CODES, GUIDELINES, CLEARANCES AND REQUIREMENTS OUTLINED IN THE GRILL OWNER'S MANUAL MUST BE FOLLOWED.

THIS BASE WILL GET HOT WHEN THE INSTALLED APPLIANCE IS IN USE.

ONLY TO BE USED OUTDOORS
CODE AND SUPPLY REQUIREMENTS: Installation must conform with local codes or, in the absence of local codes, with either the National Fuel Gas Code, ANSI 2223.1/NFPA 54, or the Natural Gas and Propane Installation Code, CSA B149.1, or the Propane Storage and Handling Code, CSA B149.2, as applicable.

When installed to this base:
The outdoor cooking gas appliance and its individual shut-off valve must be disconnected from the gas supply piping system during any pressure testing of that system at test pressures in excess of 1/2 psi (3.5 kPa).
The outdoor cooking gas appliance must be isolated from the gas supply piping system by closing its individual manual shut-off valve during any pressure testing of the gas supply piping system at test pressures equal to or less than 1/2 psi (3.5 kPa).

⚠ DANGER:
IF YOU SMELL GAS:

- Shut off gas to the appliance.
- Extinguish any open flame.
- Open cabinet door.
- If odour continues, keep away from the appliance and **immediately** call your gas supplier or the fire department.

⚠ WARNING:

- Do not store or use gasoline or other flammable liquids or vapours in the vicinity of this base or any other appliance.
- An LP cylinder not connected for use shall not be stored in the vicinity of this base or any other appliance.

⚠ WARNING:
Improper installation, adjustment, alteration, service, or maintenance can cause injury or property damage. For proper installation, refer to the installation instructions. For assistance or additional information, consult a qualified professional service technician, service agency, or the gas supplier.

GETTING STARTED

INSTALLATION, OPERATION, AND SAFETY INFORMATION3
APPLIANCE INSTALLATION REQUIREMENTS3
GAS SAFETY INFORMATION4
 WARNING4
 WHEN USING PROPANE GAS4
 WHEN USING NATURAL GAS4
 INSTALLATION SAFETY GUIDELINES.....4
OPERATING THE UNIT SAFELY AND CORRECTLY4
SAFE USE & MAINTENANCE OF PROPANE GAS CYLINDERS5
MODEL SPECIFICATIONS7
FIRE MAGIC GRILL CART BASE REPLACEMENT PARTS LIST8

INSTALLATION

INSTALLATION9
 PREPARE CART BASE9
 PREPARE APPLIANCE 10
 INSTALL POWER SUPPLY 10
 INSTALL APPLIANCE TO CART BASE..... 11
 CONNECT GAS SUPPLY 12
 LEAK TEST..... 13
 RE-INSTALL DRIP TRAY (if applicable)..... 13
 RE-INSTALL DRAWERS 13
 INSTALL FOLDING SHELVES..... 13
 CONNECT TO POWER 13

USE, CARE, & SERVICE

FOLDING SHELF OPERATION 14
SOFT-CLOSE DOOR HINGE ADJUSTMENTS 14
DRAWER REMOVAL 14
SERVICING AND CLEANING 14

INSTALLATION, OPERATION, AND SAFETY INFORMATION

1. Wear gloves and use extreme caution whenever installing and handling this product and its accessories as certain components have sharp edges that can cause personal injury.
2. The outdoor appliance and surrounding area **MUST** remain clear of flammable substances such as gasoline, yard debris, wood, etc. Maintain a minimum horizontal clearance of 18" (in all directions) from combustible materials/items.
3. **This cart base must be installed so that the vent openings on the cabinet remain clear and free at all times. See the GAS SAFETY INFORMATION section.**
4. When using propane gas: the propane cylinder, regulator, and rubber hose must be in a location not subject to temperatures above 125° F (51° C).
5. The in-line gas valve or gas cylinder valve must always be shut OFF when the unit is not in use.
6. **Do not store combustible materials in the cabinet directly beneath the appliance.**

APPLIANCE INSTALLATION REQUIREMENTS

BEFORE INSTALLING THE APPLIANCE TO THE CART BASE:

IMPORTANT!

YOU MUST READ the appliance owner's manual for all **INSTALLATION REQUIREMENTS** and **GAS-SUPPLY PLUMBING REQUIREMENTS.**

GAS SAFETY INFORMATION

WHEN OPERATING THE GAS APPLIANCE, ALL INSTRUCTIONS AND WARNINGS MUST BE OBSERVED. FAILURE TO DO SO MAY RESULT IN A FIRE OR EXPLOSION CAUSING PROPERTY DAMAGE, BODILY INJURY, OR DEATH.

WARNING

The appliance **MUST** be installed and operated according to the information below.

FAILURE TO PROPERLY VENT THE BASE CABINET MAY RESULT IN A FIRE OR EXPLOSION CAUSING PROPERTY DAMAGE, BODILY INJURY, OR DEATH.

A leaking gas connection or valve unintentionally left open will create a hazard.

WHEN USING PROPANE GAS

- **Propane gas** (also known as **L.P. gas**) is heavier than air and will accumulate or pool in an inadequately vented enclosure or recessed area.
- If a pool of **propane gas** is ignited, an explosion will occur. Adequate venting at the floor level of the cabinet eliminates this danger.
- DO NOT store a spare propane-gas cylinder in or near this cart base.

WHEN USING NATURAL GAS

- **Natural gas** is lighter than air and will accumulate at the top of an inadequately vented enclosure.
- If an accumulation of **natural gas** is ignited, an explosion will occur. Adequate venting at the top of the cabinet eliminates this danger.

INSTALLATION SAFETY GUIDELINES

THIS BASE MUST BE INSTALLED SO THAT THE VENT OPENINGS ON THE CABINET REMAIN CLEAR AND FREE AT ALL TIMES.

The gas cylinder, regulator, and rubber hose must be in a location not subject to temperatures above 125° F (51° C).

IF A PROPANE CYLINDER IS INSTALLED INSIDE OF THE BASE CABINET, THE GUIDELINES FOUND IN THE **SAFE USE & MAINTENANCE OF PROPANE GAS CYLINDERS** SECTION of the appliance owner's manual MUST BE FOLLOWED.

OPERATING THE UNIT SAFELY AND CORRECTLY

Every time you use the appliance, **make sure that:**

1. The area around the base and appliance are clear and free from combustible materials, gasoline and flammable vapours and liquids.
2. There is no blockage of the airflow through the vent openings located on the cabinet.
3. The hose is inspected (if applicable). See **SAFE USE & MAINTENANCE OF PROPANE-GAS CYLINDERS** section.

DO NOT store any combustible materials, gasoline, and any other flammable vapours/liquids in the vicinity of the base and appliance. Provide adequate clearance for servicing and operation.

SAFE USE & MAINTENANCE OF PROPANE GAS CYLINDERS

IMPORTANT FOR YOUR SAFETY

READ AND FOLLOW ALL WARNINGS PROVIDED WITH THE PROPANE-GAS CYLINDER.

When operating this appliance with a propane-gas cylinder, these instructions and warnings **MUST** be observed.

FAILURE TO DO SO MAY RESULT IN A SERIOUS FIRE OR EXPLOSION.

CYLINDER/CONNECTOR REQUIREMENTS

- Propane-gas cylinders, valves, and hoses must be maintained in good condition and inspected before each use of appliance. They must be replaced if there is any visible damage. If hose is cut or shows excessive abrasion or wear, it must be replaced before using appliance (see e.).
- This unit, when used with a cylinder, should be connected to a standard 5-gallon (20 lb.) propane-gas cylinder equipped with a listed overfilling prevention device. The device has been required on all cylinders sold since October 1, 1998, to prevent overfilling.
- Cylinder dimensions should be approximately 12" (30.5 cm) in diameter and 18" (45.7 cm) high. Cylinders must be constructed and marked in accordance with the U.S. Department of Transportation (D.O.T.) *Specifications for LP-Gas Cylinders*, or the *Standard for Cylinders, Spheres, and Tubes for Transportation of Dangerous Goods and Commission, CAN/CSA-B339*, as applicable.
- The cylinder used must include a collar to protect the cylinder valve. The cylinder supply system must be arranged for vapour withdrawal. See Fig. 5-1.
- When used with a cylinder, the gas supply system must be used with a pressure regulator. The pressure regulator and hose assembly (**not supplied**) used must match the specification for Type I by ANSI Z 21.58/CGA 1.6 and must comply with UL 144 as a part of the self-contained LP gas supply system (see Fig. 5-1).
- The propane-gas cylinder valve must be equipped with a cylinder connection device, described as Type I in the standard defined in paragraph e. above. This device is commonly described as an Acme thread coupler.
- If the cylinder comes with a dust plug, place it on the cylinder valve outlet whenever the cylinder is not in use. Only install the type of dust cap on the cylinder valve outlet that is provided with the cylinder valve. Other types of caps or plugs may result in leakage of propane.

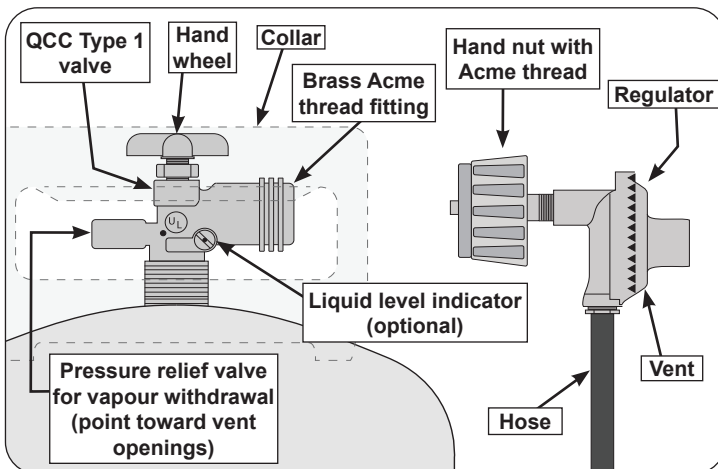


Fig. 5-1 Type I Acme thread coupler

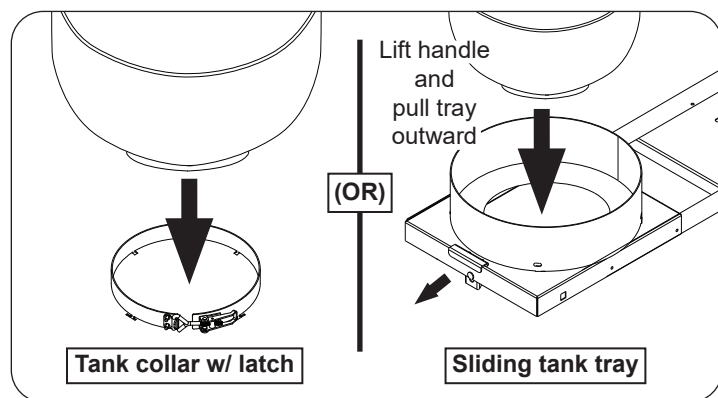


Fig. 5-2 Place cylinder

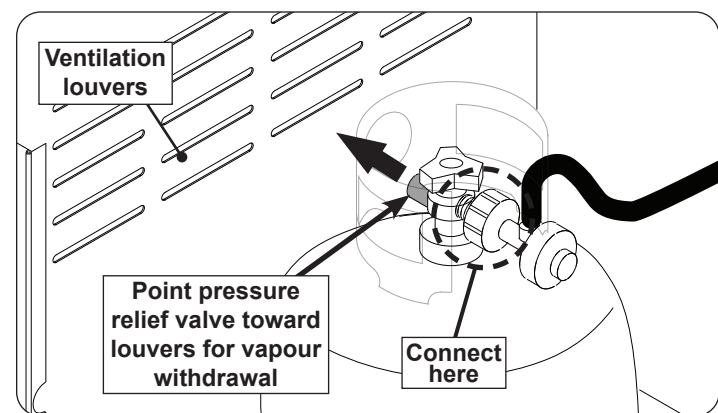


Fig. 5-3 Position for proper vapour withdrawal

COUPLER OPERATION

To connect the regulator/hose assembly to the propane-gas cylinder valve fitting: Press the hand nut on the regulator over the Acme thread fitting on the cylinder valve. Turn the hand nut clockwise to engage the threads and tighten until snug. The use of pliers or a wrench should not be necessary. Only cylinders marked "propane" may be used.

To disconnect: Turn the hand nut counterclockwise until detached (Fig. 5-1).

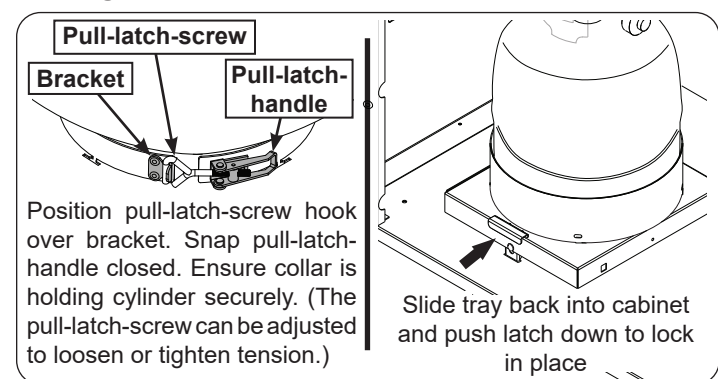


Fig. 5-4 Lock cylinder in place

SAFE USE & MAINTENANCE OF PROPANE GAS CYLINDERS (Cont.)

Important: Before using the unit, and after each time the cylinder is removed and reattached, check the hose for wear (see a.) and check all connections for leaks. Turn off the unit valves and open the main cylinder valve, then check connections with soapy water. **NEVER USE A FLAME TO CHECK FOR LEAKS.** Repair any leaks before lighting the unit.

CAUTION: Always turn the propane cylinder main valve off after each use, and before moving the unit and cylinder or disconnecting the coupling. This valve must remain closed and the cylinder disconnected while the appliance is not in use, even though the gas flow is stopped by a safety feature when the coupler is disconnected.

Carefully inspect the hose assembly each time before the gas is turned on. A cracked or frayed hose must be replaced immediately.

If the appliance is stored indoors, the cylinder must be disconnected and removed. Disconnected cylinders must be stored outdoors, out of the reach of children, with threaded valve plugs tightly installed, and must not be stored in a building, garage, or any other enclosed area.

FOR YOUR SAFETY

- A. DO NOT store a spare propane-gas cylinder under or near this appliance.
- B. NEVER fill the cylinder beyond 80-percent full.
- C. IF THE INFORMATION IN a. AND b. IS NOT FOLLOWED EXACTLY, A FIRE CAUSING DEATH OR SERIOUS INJURY MAY OCCUR.
- D. **CGA 791 connections on LP gas cylinders:** The cylinder face elastomeric face seal element on these devices could, over time, show marked and visible damage or deterioration that might cause a leak even with the connection tightened. A visual inspection for the seal must be carried out every time a LP gas cylinder is replaced or refilled. Any LP gas cylinder showing signs of damage or deterioration as illustrated in Fig. 6-1, including visible cracks and pitting, must be replaced.

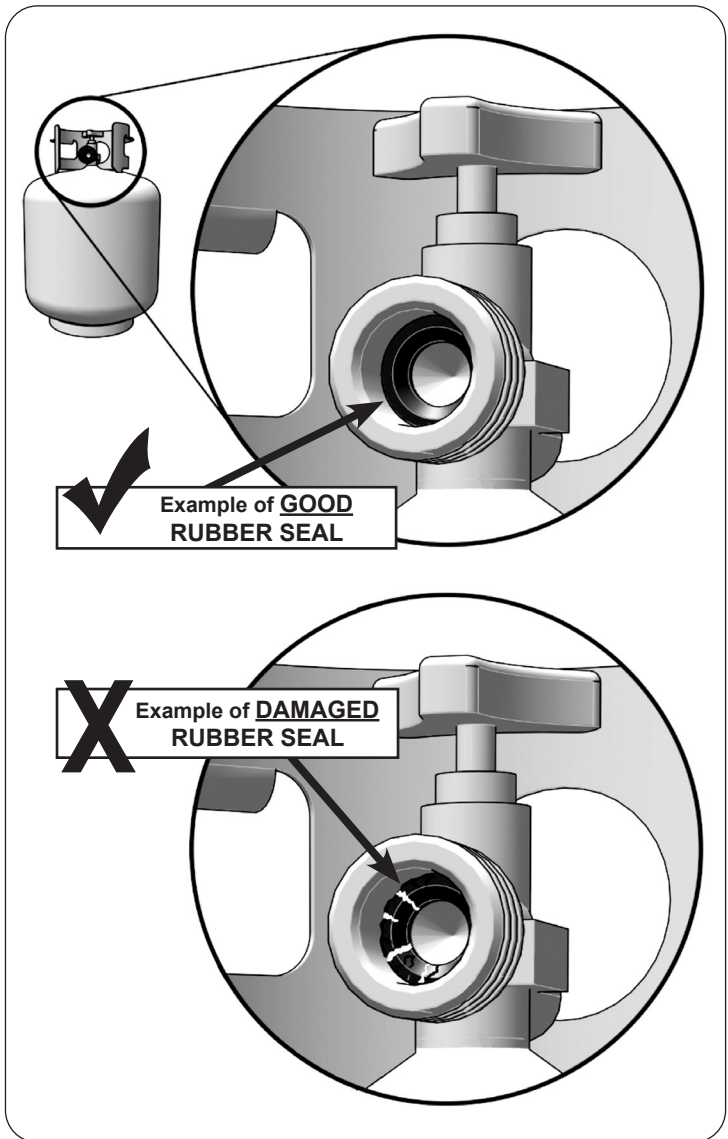
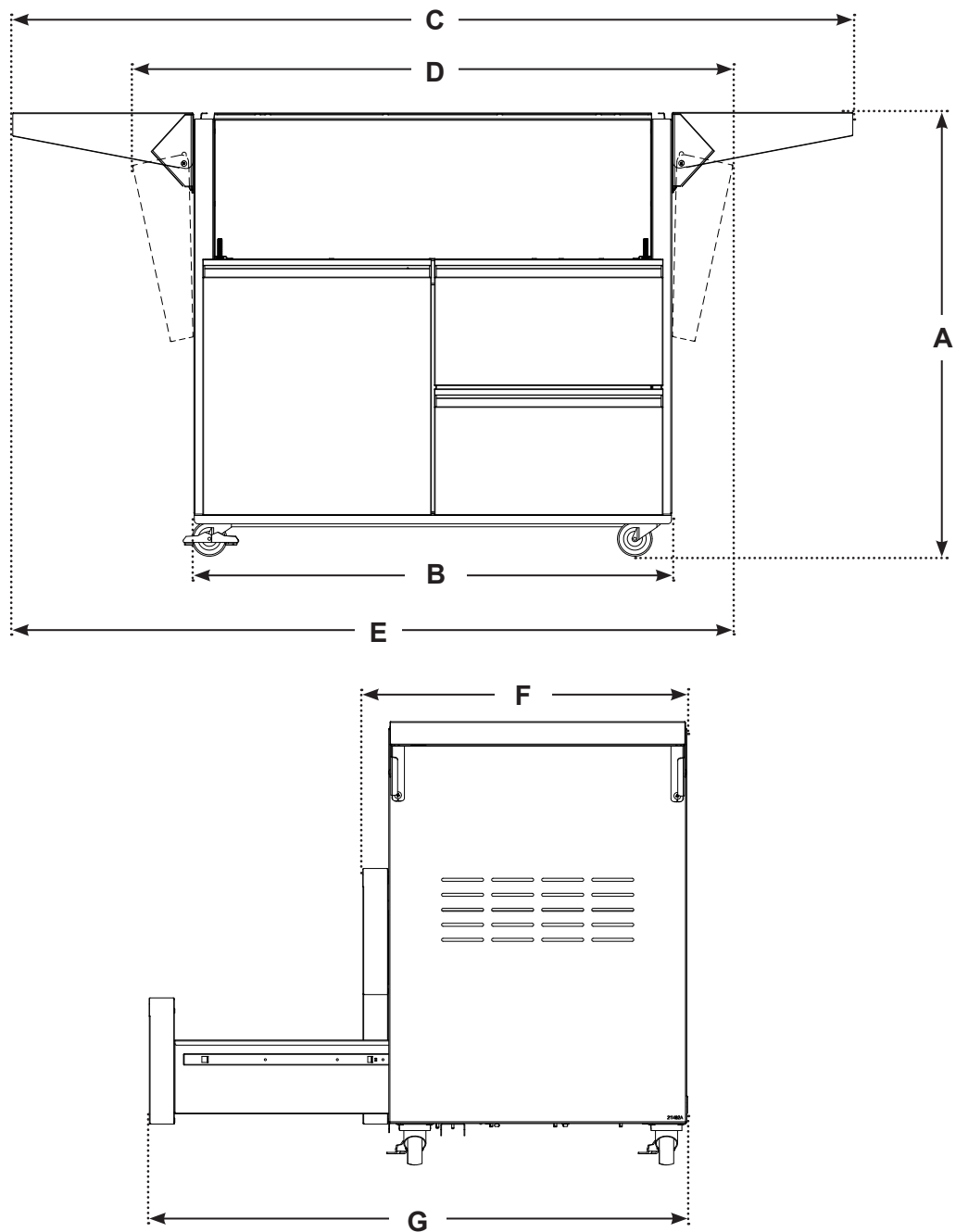


Fig. 6-1 Inspect rubber seal

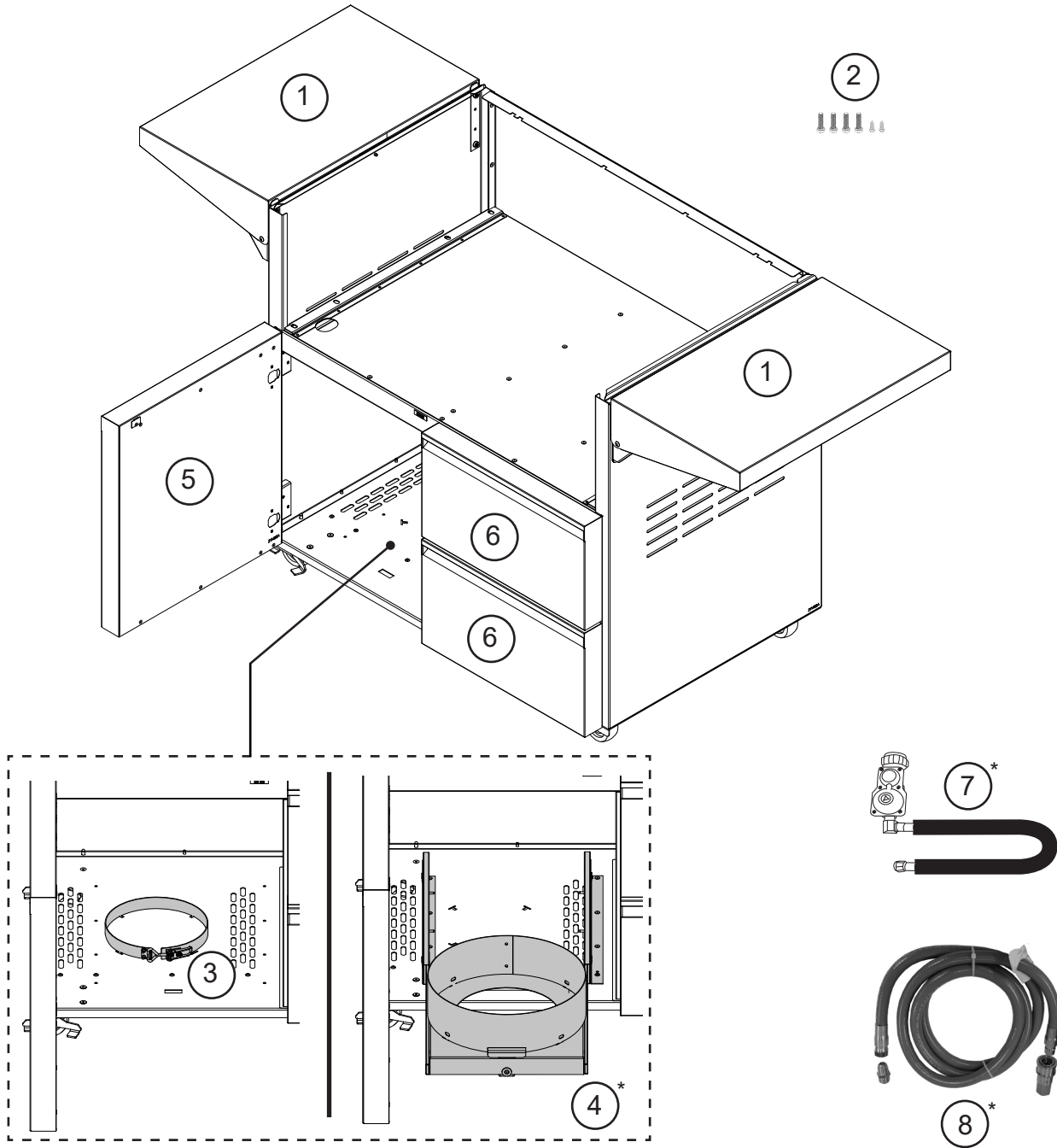
MODEL SPECIFICATIONS

Model	Height	Width				Depth		
	Floor to top of shelf (A)	Left to right					Front to back	
		Cart base (B)	(with shelves)			Cart base (F)	Maximum outer (G)	
			Up (C)	Down (D)	1 Up / 1 Down (E)			
660-SC24	37 1/2"	34 1/8"	64 1/4"	44 1/4"	54 1/4"	27"	44 3/4"	
790-SC24	37 1/2"	39 3/4"	70"	50"	60"	27"	44 3/4"	

Table 3 - Cart Base Dimensions



FIRE MAGIC GRILL CART BASE REPLACEMENT PARTS LIST



Item	Description	660-SC24		790-SC24	
		Part No.	Qty.	Part No.	Qty.
1.	Folding shelf (w/ hardware)	24336-24	2	24336-24	2
2.	Mounting screw pack (4) 1/4"-20 x 5/8" bolt, (2) #10 x 1/2" hex screw	MS-3	1	MS-3	1
3.	Propane tank collar w/ latch	5110-35	1	5110-35	1
4.	Propane tank sliding tray *	24336-36	1	24336-36	1
5.	Cabinet door w/ soft-close hinges	24394-50	1	24394-50	1
6.	Drawer w/ soft-close slides	24394-53	2	24389-53	2
7.	Propane regulator hose *	5110-15	1	5110-15	1
8.	Natural gas / Remote LP quick disconnect hose *	5110-03	1	5110-03	1

* Optional, sold separately

INSTALLATION

PREPARE CART BASE

Prepare Location

Prepare a flat, level surface capable of supporting the weight of the appliance with cart base and ensure it is conveniently located near the gas supply source if applicable.

Unpack Cart Base

1. Remove the bottom staples from the perimeter of the pallet and (with two people) lift the top box upward and off. See Fig. 9-1.
2. Remove all protective foam pieces, the accessory box, and any other loose items.
3. Remove the top and bottom drawers:
 - a. Pull the top drawer outward completely until the slides stop.
 - b. Release the drawer from the drawer slides by pressing the black lever down on the right side, and up on the left side and pull the drawer free from the slides. See Fig. 9-3.
 - c. Repeat this process for the bottom drawer.

Note: Do not re-attach the drawers at this point, set them aside for later installation.

4. Open the cabinet door. Using a Phillips head screwdriver, remove the two front mounting screws and washers to detach the cart base from the pallet. See Fig. 9-3.
5. Lift cart base from pallet and place in designated area for installation.

Lock Wheel Casters

Important: Ensure the casters are locked securely when installing the appliance to the cart base.

To lock a caster, press down on the side of the lever with the word "ON" stamped on it until it stops and the caster will not turn. See Fig. 9-4. To unlock, press down on the side stamped "OFF."

Install Sliding L.P. Tank Tray (if applicable)

If this option was purchased, removal of the existing propane tank collar will be required before installing the tank tray.

1. Using pliers, bend the tabs straight and guide them through the slots.
 - This process is easiest done if the cart base is gently rested on its back on a soft protected surface.
 - Confirm that the latch is unfastened during this process to ensure the collar becomes pliable for removal.
2. Once the collar is removed, follow the instructions packed with the tank tray to install it to the cart base.

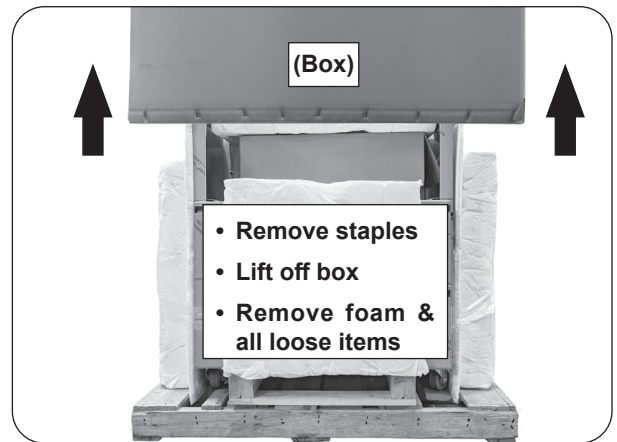


Fig. 9-1 Unpack cart base

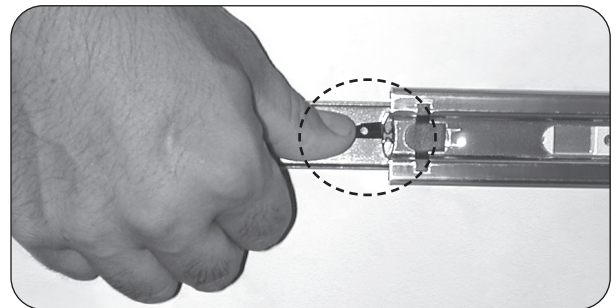


Fig. 9-2 Remove drawers

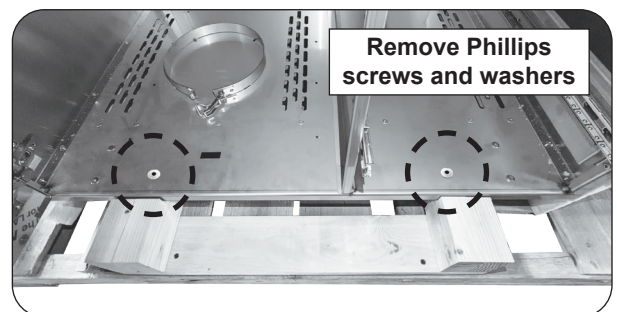


Fig. 9-3 Remove two front screws/washers

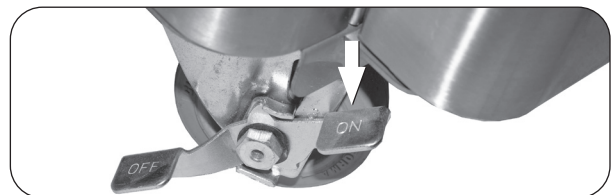


Fig. 9-4 Lock wheels

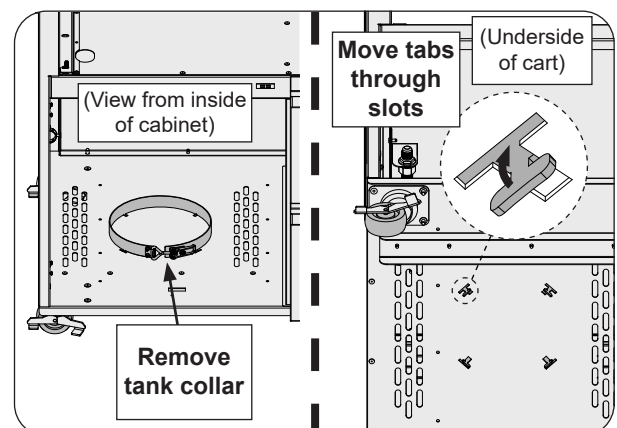


Fig. 9-5 Remove tank collar (if applicable)

PREPARE APPLIANCE

- Unpack and prepare the appliance for installation per the owner's manual included with the appliance.
- Remove the drip tray (if equipped).
- Remove the left and right support adjustment bolts located on the bottom front of the appliance (if applicable). See Fig. 10-1.
- Using pliers or your hands (wear gloves), bend the face support tabs inward until they align flush with the sides. See Fig. 10-2.
- If applicable, cut the zip tie that is securing the wire harness to the side body.
- If the power supply is pre-connected to the appliance, disconnect the power supply. Similarly, if a wire harness extension exists linking between the appliance and power supply, detach the extension and set it aside as it won't be used for this installation. See Fig. 10-3.

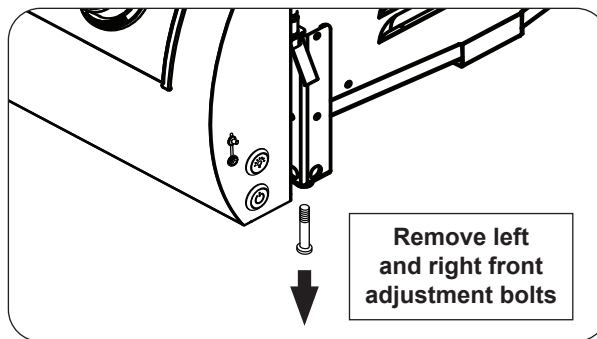


Fig. 10-1 Remove adjustment bolts

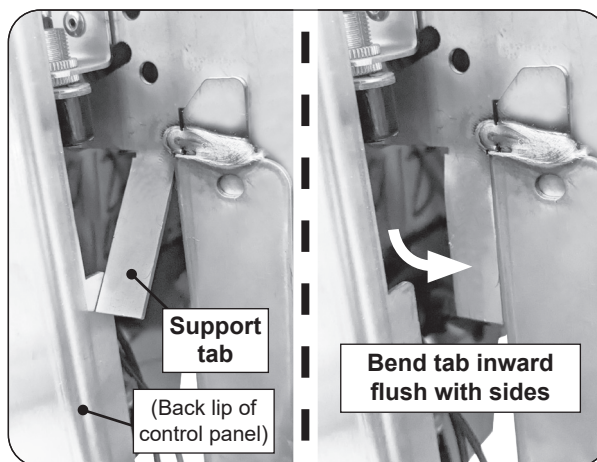


Fig. 10-2 Bend support tabs

MOUNT POWER SUPPLY TO CART BASE

1. Insert the rear end of the power supply against the tabs on the cabinet ceiling flange (Fig. 10-4, A). Use the provided screws with a flathead screwdriver or 5/16" hex nut driver to secure the power supply into place. See Fig. 10-4, B.
2. Route the power cord down the right side of the unit between the slide rail supports and right wall, and feed it through the hole to exit the cart. See Fig. 10-5.
3. Install the included power cord grommet (with flexible covering).
4. Use a provided zip tie to secure the power cord in place as shown in See Fig. 10-5. Cut off the excess tie.

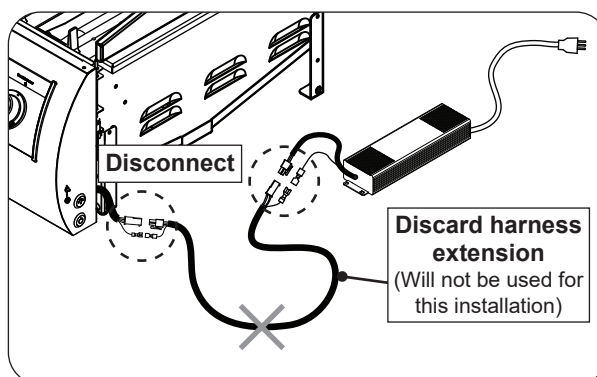


Fig. 10-3 Detach power supply (if applicable)

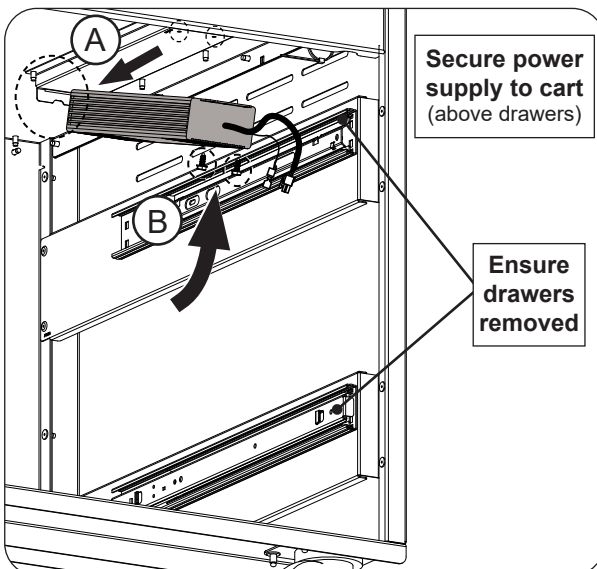


Fig. 10-4 Mount power supply

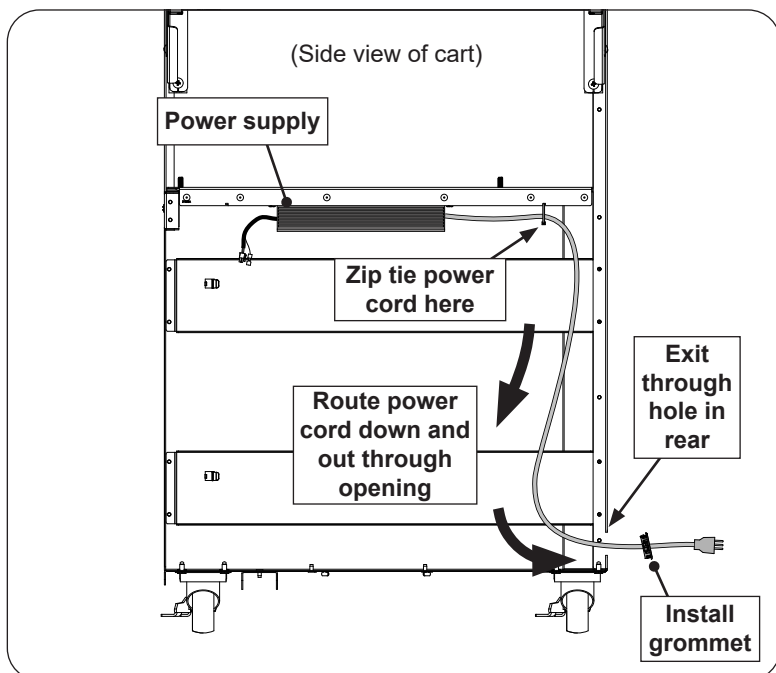


Fig. 10-5 Route power cord down and out

INSTALL APPLIANCE TO CART BASE

It is not required to remove the control panel (or knobs, if equipped) to install this unit.

DO NOT lift the unit from the control panel when installing.

CAUTION: THE APPLIANCE IS HEAVY AND REQUIRES TWO OR MORE PEOPLE FOR SAFE HANDLING.

Note: When inserting the appliance, it is advisable to have extra assistance to keep the cart stable in place.

1. Carefully rest the rear end of the appliance over the cart opening and begin to slide the unit inward. **DO NOT SLIDE THE UNIT IN COMPLETELY!** **While installing** (Fig. 11-1, A), be sure to simultaneously route the flex connector downward through the rounded hole on the front left portion of the cavity floor. See Fig. 11-1, B.

Note: Only lift the appliance from the locations indicated on Fig. 11-1. Do not lift the unit from the control panel.

2. **While installing**, insert the wire harness into the open cavity on the right side of the cart base. Ensure to route the wire harness on the left side of the grill front leg while inserting (see Fig. 11-2, C). Routing the wire harness on the right side of the grill front leg will cause pinching and damage of wiring.

3. Slide in the appliance completely until the back portion of the unit drops slightly, the hangers are resting evenly on the cart body, and the unit reaches its full stopping point.

Important: Ensure the wire harness electrical and gas connections are clear from pinching, undamaged, and the appliance is completely inserted into the cart base cavity.

4. Connect the appliance wire harness to the power supply. See Fig. 11-3, D.
5. Install a provided zip tie as shown in Fig. 11-3 to keep the electrical connections securely in place.
6. Open the cabinet door. Fasten the four included screws to the appliance's front and rear legs from inside the cabinet using a Phillips head screw driver. See Fig. 11-4. Tighten securely.

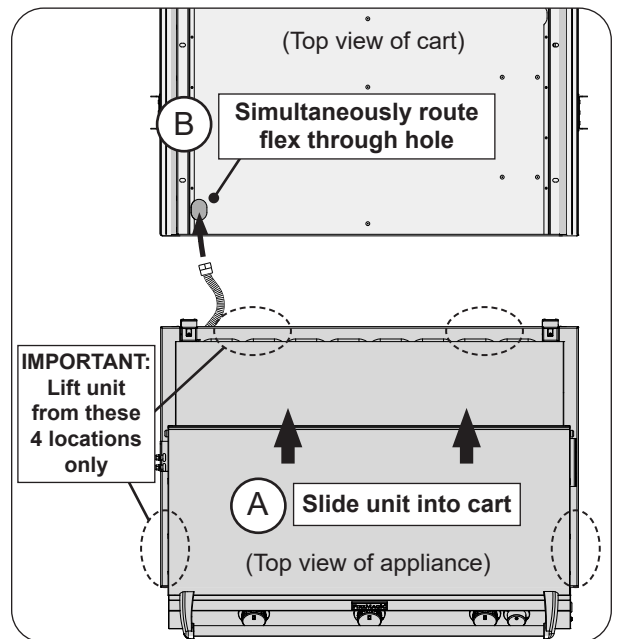


Fig. 11-1 Begin appliance installation

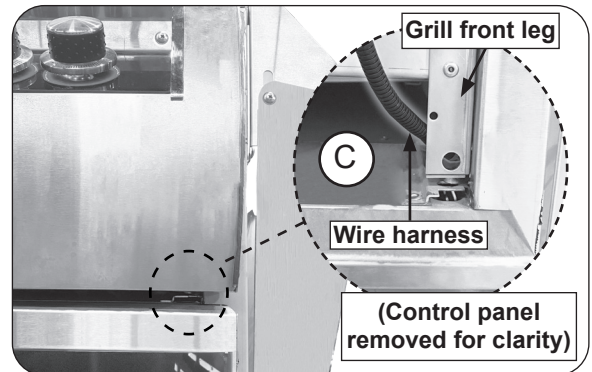


Fig. 11-2 Route wire harness

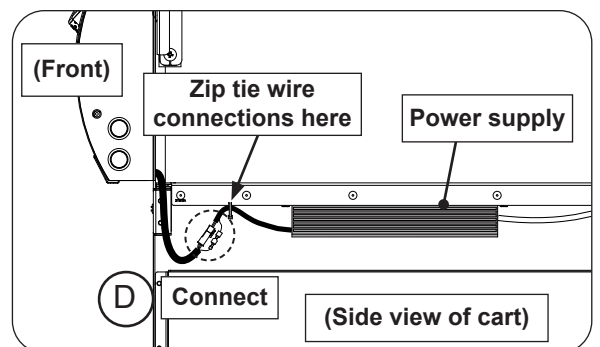


Fig. 11-3 Zip tie electrical connections

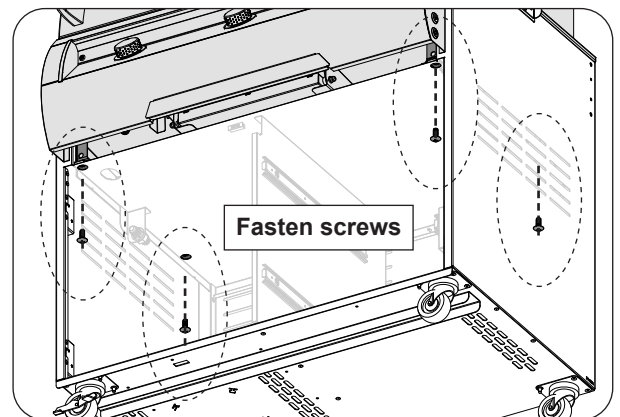


Fig. 11-4 Secure appliance to cart base

IMPORTANT:
THE SCREWS MUST BE USED TO PROPERLY SECURE THE APPLIANCE TO THE CART BASE.

IMPORTANT:
WALL CLEARANCES MUST BE MET. Refer to the appliance owner's manual for required clearances as applicable to your installation. Be sure to measure from the units hanger (with shelves down) to wall.

CONNECT GAS SUPPLY

Route the flex connector coming from the appliance to the adapter that is pre-mounted on the upper left side of the cabinet interior. Connect the flex connector to the adapter facing the rear of the cabinet. See Fig. 12-1, A & B. Then, secure the flex hose to the cart body using a provided zip tie (Fig. 12-1, C).

To Connect To Propane Cylinder:

- A regulator hose assembly designed for L.P. cylinders is available for purchase. See PARTS LIST and contact your dealer for ordering information.
- Read the safety warnings and follow the instructions in the SAFE USE AND MAINTENANCE OF PROPANE GAS CYLINDERS section, then connect the L.P. regulator hose to the opposite end of the pre-mounted adapter. See Fig. 12-1.

To Connect To Natural Or Household Propane Gas Supply:

- Before connecting the gas supply to your appliance, pressures MUST be tested and MUST NOT exceed 10.5" w.c. for Nat. gas and 13" w.c. for L.P. gas. An additional regulator may be required.
- Refer to the GAS SUPPLY PLUMBING REQUIREMENTS section of your appliance owner's manual for all details on the gas supply and its setup.
- For natural gas models, a quick disconnect hose is available for purchase and must connect to the pre-mounted adapter inside the cabinet. For household propane, an appropriate, C.S.A. approved, flexible hose or similar MUST be purchased to route from the gas line to the pre-mounted adapter inside the cabinet. The R.H.P. quick disconnect hose is recommended, and is discussed and illustrated here. See PARTS LIST and contact your dealer for ordering information. (If your setup varies from what is shown here, observe the National Fuel Gas Code and all local codes.)

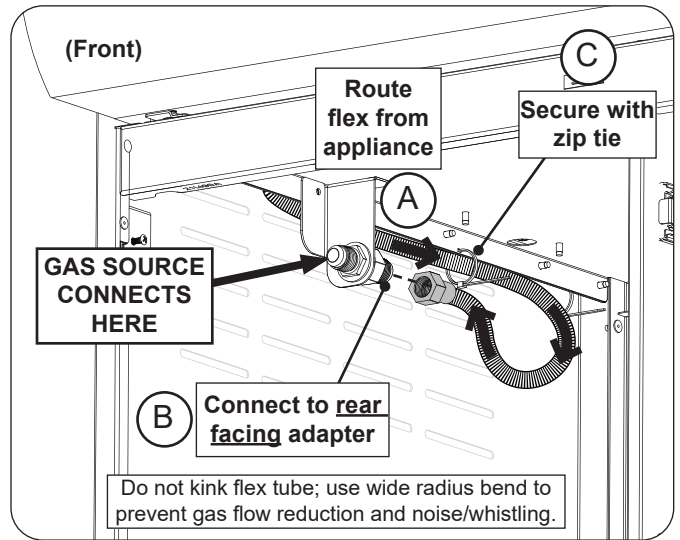


Fig. 12-1 Connect appliance flex to adapter

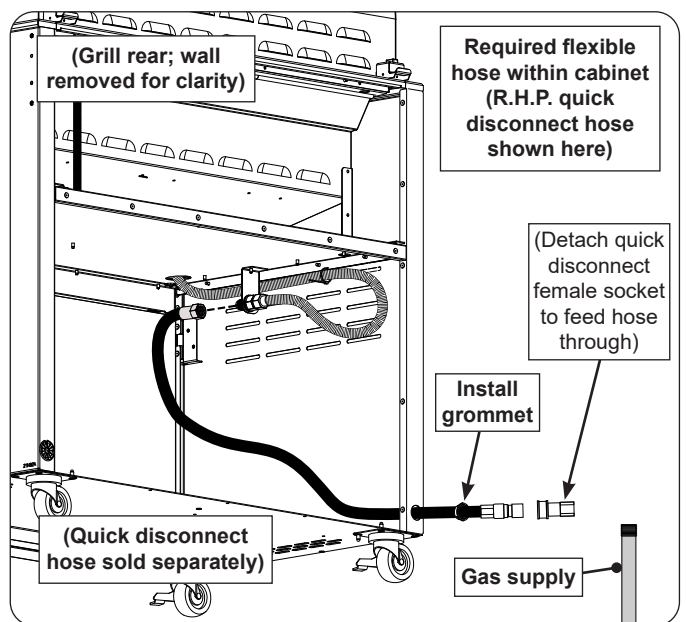


Fig. 12-2 Flexible hose assembly detail

1. Turn OFF gas supply at the source.
2. Install a quick disconnect hose or similar (purchased separately) to the adapter inside the cabinet. (An R.H.P. quick disconnect hose is recommended - see third bullet above.) Use a pipe joint compound resistant to all gasses on all NPT pipe fittings except flare fittings. Reference Fig. 12-2. Then proceed to step 3.
3. Install the included open-hole grommet to the hole in the rear bottom right of the cabinet, then route the quick disconnect hose (or similar) out of the hole, and to the gas supply (see Fig. 12-2).

Note: For quick disconnect hoses, the quick disconnect female socket will first need to be detached to allow the hose to feed through the hole.

4. A shut-off valve is required within 6 feet of the unit and must be easily accessible.

Connect the quick disconnect female socket to the shut-off valve OR gas supply (NPT) using a pipe joint compound resistant to all gasses (see Fig. 12-3). Tighten securely. Re-attach the hose to the disconnect female socket.

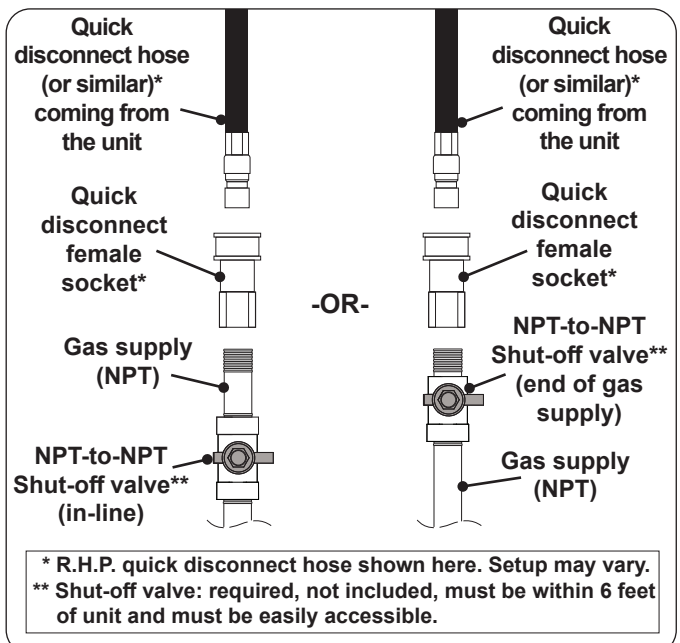


Fig. 12-3 Connecting to a gas line

* R.H.P. quick disconnect hose shown here. Setup may vary.
 ** Shut-off valve: required, not included, must be within 6 feet of unit and must be easily accessible.

LEAK TEST

Turn all burner valves to the **OFF** position. Turn on the gas supply, and test at all connections for leaks using a soapy water solution. If bubbles appear, a leak is present. Turn off the gas and tighten at all connections. Repeat until no leaks are present. If a leak persists, turn off the gas supply and contact the local gas company or dealer. **NEVER USE A FLAME TO CHECK FOR LEAKS.**

Once the leak test is complete, turn off the gas supply and proceed.

RE-INSTALL DRIP TRAY (if applicable)

Reinstall the drip tray to the appliance. For additional information, refer to the appliance owner's manual.

RE-INSTALL DRAWERS

1. Take a drawer and align the left and right side brackets to the slides.
2. Carefully push the drawer to the closed position. See Fig. 13-1.
3. Open the drawer to verify that it has locked in place.
4. Repeat this process for the second drawer.

INSTALL FOLDING SHELVES

1. Take a folding shelf and carefully align the mounting holes on the shelf bracket to the holes found on the upper left body of the cart base.

Note: Take caution to not scratch any stainless steel surfaces when aligning the shelf.

2. Using the provided Phillips head screws and lock washers (packaged with drawers), fasten the shelf bracket to the cart base. See Fig. 13-2. Tighten securely.

Easiest method of install: First fasten the top two holes of the bracket, set the shelf to the up-position (see next page for details), then fasten the two bottom holes.

3. Repeat this process for the right side.

CONNECT TO POWER

Connect the power cord to a **120VAC (15 AMP minimum) GFCI GROUNDED three-wire receptacle** (see Fig. 13-3). The GFCI receptacle must be a WEATHER-PROOF IN-USE COVERED RECEPTACLE.

WARNING: Electrical Grounding Instructions - This appliance is equipped with a three-pronged (grounding) plug for your protection against shock hazard and should be plugged directly into a properly grounded three-prong receptacle. Do not cut or remove the grounding prong from this plug.

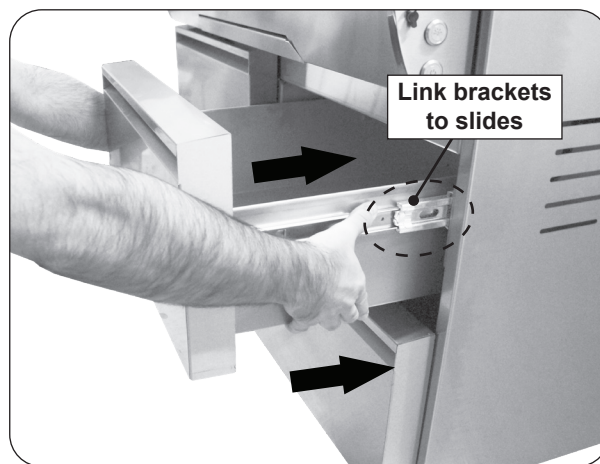


Fig. 13-1 Re-install Drawers



Fig. 13-2 Install folding shelves

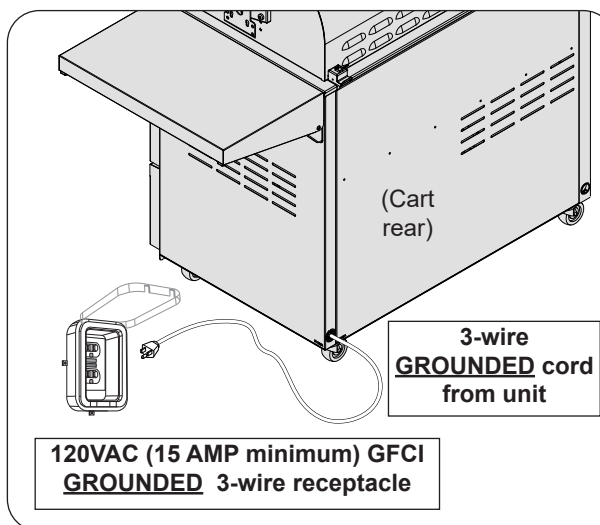


Fig. 13-3 Connect to power

Refer to the appliance owner's manual for any further instructions required to complete the installation of your appliance.

FOLDING SHELF OPERATION

CAUTION: DO NOT place fingers near hinge when opening or closing.

To lower the shelf: Grasp the middle of the shelf on both sides and lift upward so that the inner lip of the shelf lifts out of the locking slot. Then slowly rotate the shelf to the down position.

To raise the shelf: Grab the shelf bottom-end and raise to the horizontal position. Lift slightly upward from the center of the shelf on both sides, allowing the inner lip to drop down into the locking slot and lock the shelf safely into position.

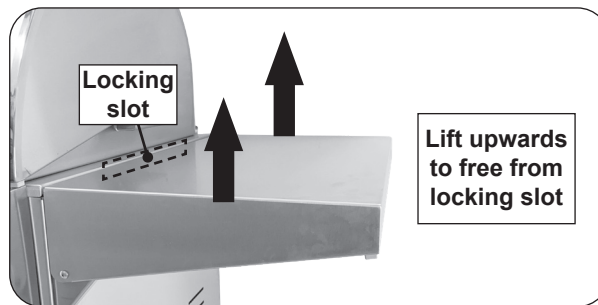


Fig. 14-1 Shelf in upward position

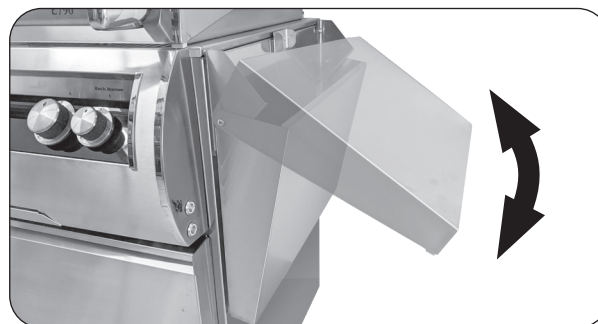


Fig. 14-2 Shelf lowering or raising

SOFT-CLOSE DOOR HINGE ADJUSTMENTS

Both soft-close hinges have three door adjustment capabilities. See below and reference Fig. 14-3 and Fig. 14-4.

Screw marked "A" adjusts the door left or right. Turn clockwise to move right and counter-clockwise to move left, on both hinges.

Screw marked "B" adjusts the door inward or outward. First loosen screw "B", adjust door as needed, then re-secure.

Screws marked "C" adjusts the door up or down. First loosen both "C" screws, adjust door as needed, then re-secure.

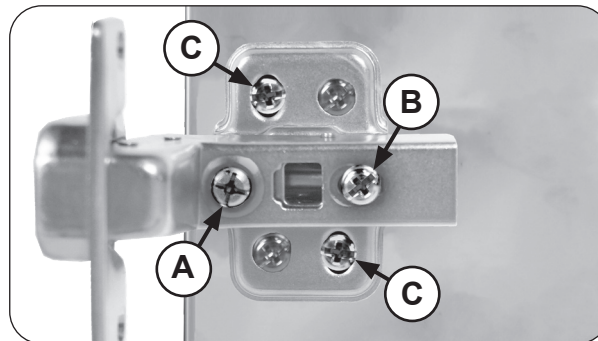


Fig. 14-3 Door hinge detail

DRAWER REMOVAL

1. Pull the top drawer outward completely until the slides stop.
2. Release the drawer from the drawer slides by pressing the black lever down on the right side, and up on the left side and pull the drawer free from the slides. See Fig. 14-5.
3. Repeat this process for the bottom drawer.

SERVICING AND CLEANING

Refer to the **SERVICING AND CLEANING** section of your appliance owner's manual for all information.

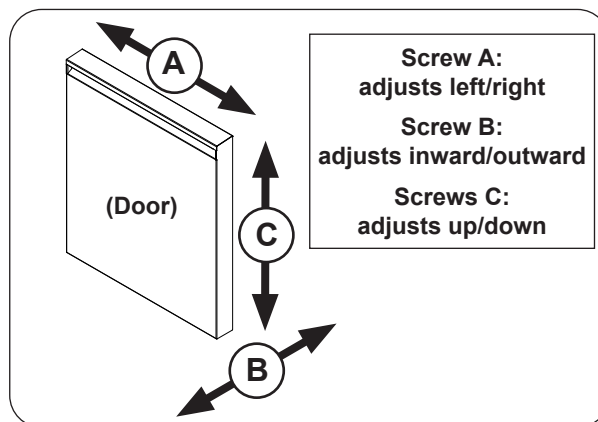


Fig. 14-4 Door hinge adjustments

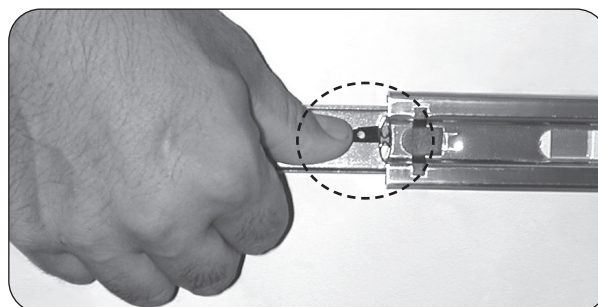


Fig. 14-5 Remove drawers