



# CUT & CLEAN COMBO

(CUTTING BOARD & TRASH CHUTE)

MODEL # 53816

**INSTALLER:** Leave these instructions with consumer.  
**CONSUMER:** Retain for future reference.



Item	Description	Qty.
1.	Stainless steel assembly	1
2.	Trash chute assembly	1
3.	Cutting board	1
4.	Trash can cover plate	1

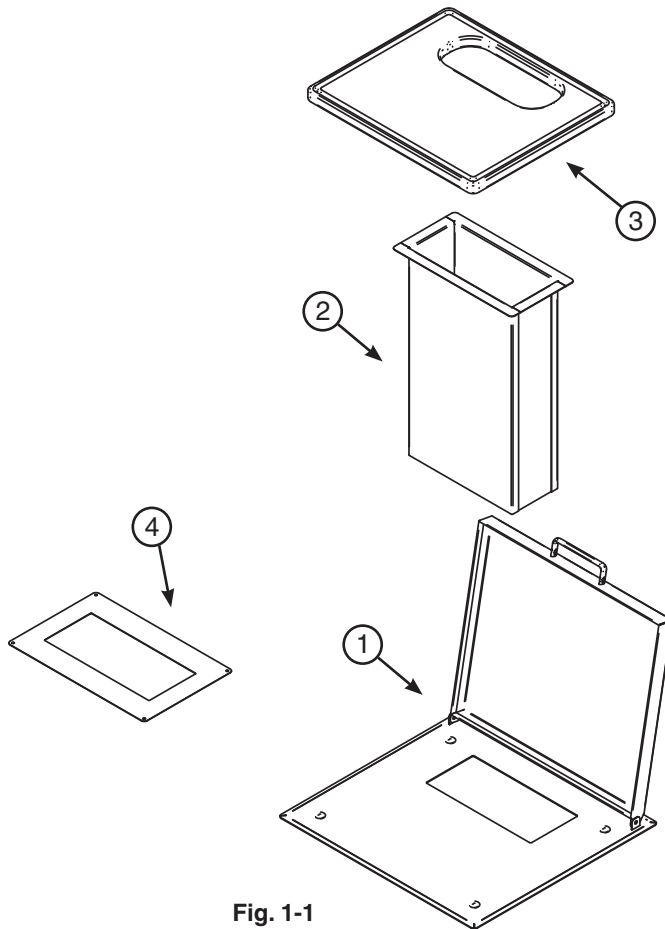


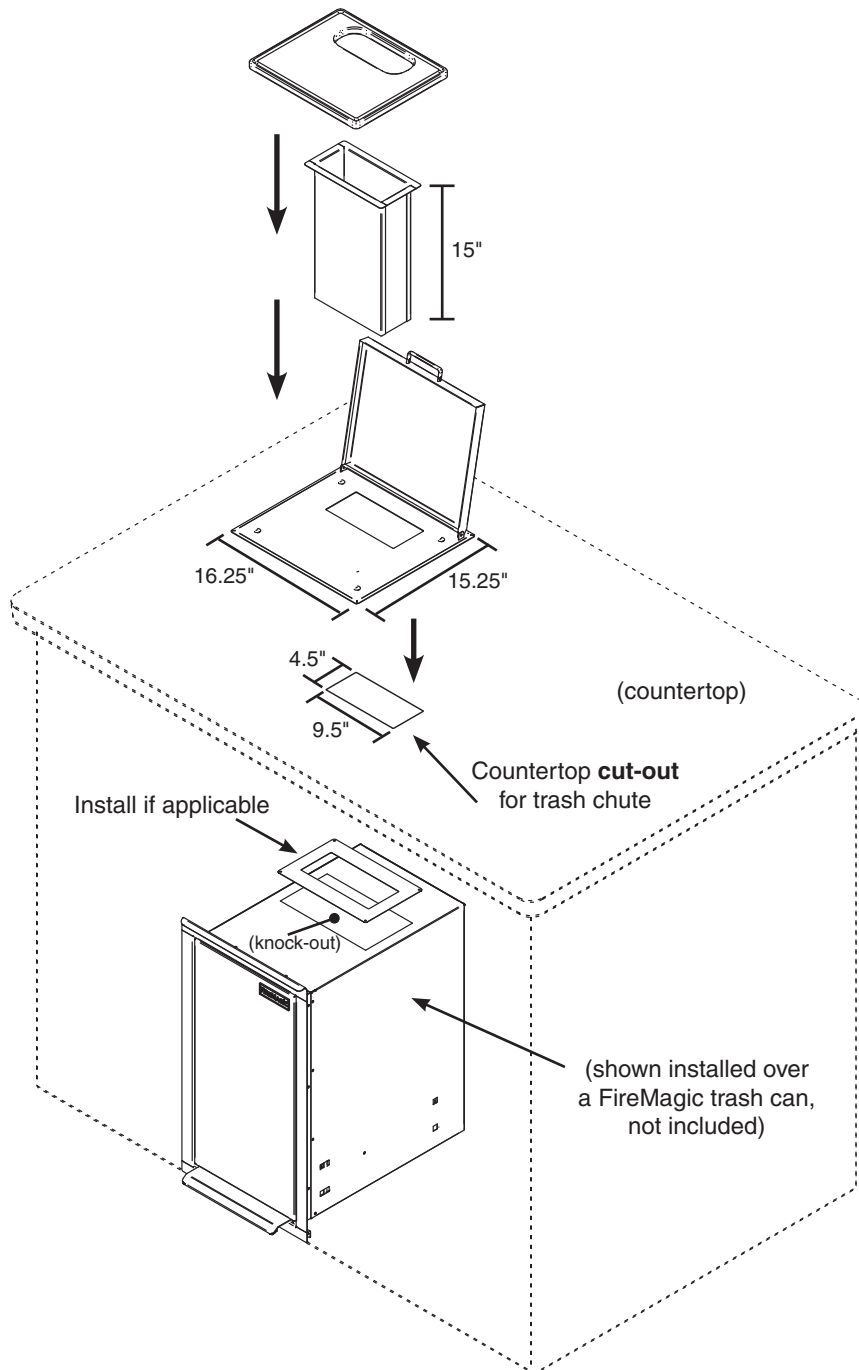
Fig. 1-1

## SPECIFICATIONS

Specification	Value
Unit width	16 1/4"
Unit length	15 1/4"
Unit (downward) depth	15"

Specification	Value
Cut-out width	9 1/2"
Cut-out length	4 1/2"

## ORIENTATION



## INSTALLATION

The Cut & Clean Combo was designed to be installed over a trash can. A built-in trash can is available from your FireMagic dealer.

Ensure a trash can is properly installed into your island, then proceed as instructed below.

1. Determine the location on the countertop that the cut-out (for the unit's trash chute) must be, based upon the location of the trash can below (Fig. 3-1).

**Note:** If your unit is to be installed over a FireMagic trash can; the cut-out must be directly above the opening found on the top of the trash can. The opening on the trash can must first be knocked-out. Fig. 3-1 illustrates this setup.

2. Once the countertop cut-out is created, drop the unit assembly into place (Fig. 3-2). Use silicone to secure the unit to the countertop.

3. Drop the trash chute into place (Fig. 3-3).

**Note:** If your unit is to be installed over a FireMagic trash can; the trash chute should properly and completely drop down into the opening of the trash can. The opening is larger than the trash chute to allow for tolerance during installation. A cover plate is supplied to close up any resulting gaps. Secure the cover plate around the trash chute, and onto the trash can by using silicone or appropriate screws. Reference the orientation drawing on the previous page.

4. Position the cutting board in place (Fig. 3-4).

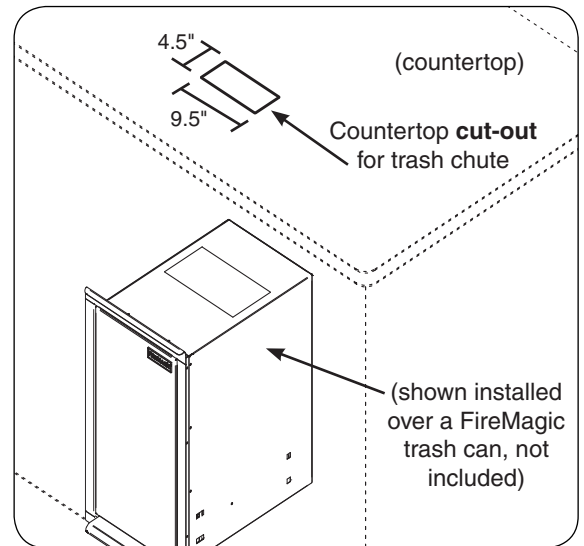


Fig. 3-1 Countertop cut-out



Fig. 3-2 Drop unit into place



Fig. 3-3 Drop trash chute into place



Fig. 3-4 Position cutting board in place

## CARE & CLEANING

The Cut & Clean Combo is exposed to raw foods and should be cleaned after each use.

The cutting board and trash chute are removable and should be washed thoroughly. They are dish-washer safe.

The interior surfaces of the unit should also be cleaned / disinfected with soapy water or an appropriate kitchen cleaner safe for stainless steel. Use caution not to treat the interior of the unit with chemicals that may come in contact with future food preparations. Always wipe with the grain.

The trash can below should be emptied regularly to prevent the trash chute from backing up.

The exterior of the unit should be cleaned by first using grill cleaner to remove grease and dirt. Always wipe with the grain (see Fig. 4-1). Next, use stainless steel cleaner to restore the stainless steel color. Finish by wiping your appliance down using polish wipes. Use caution not to treat the interior of the unit with chemicals that may come in contact with future food preparations.



**Fig. 4-1** Clean exterior, wipe with grain