

# FIREMAGIC®

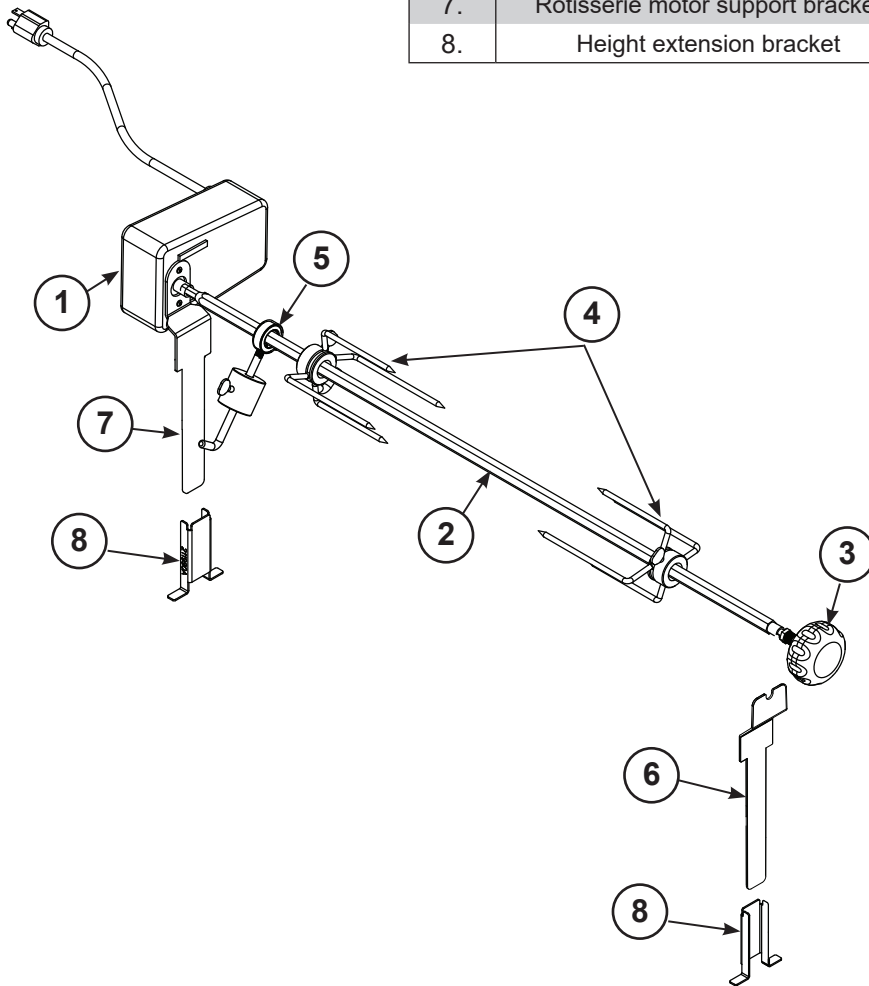
## ROTISSERIE KIT Model #: 3684A

**INSTALLER:** Leave these instructions with consumer.  
**CONSUMER:** Retain for future reference.

This kit is designed for use with Fire Magic Echelon E540d Countertop Grills. This kit features two height settings for rotisserie cooking. The rotisserie motor can support and rotate up to 35 lbs.

Item	Description	Part No.	Qty.
1.	Heavy-duty rotisserie motor	3600-02	1
2.	Heavy-duty rotisserie rod	3603-30	1
3.	Rotisserie knob	24187-16	1
4.	Meat holder (pair)	3613	1
5.	Counterbalance	3620E	1
6.	Spit rod support bracket	3600-70	1
7.	Rotisserie motor support bracket	3600-71	1
8.	Height extension bracket	3600-72	2

Specifications
120 VAC
9 Watts
60 Hz



# MOUNTING BRACKET INSTALLATION

## ROTISSERIE BRACKET KIT INSTALLATION

1. Slide the rotisserie motor with pre-installed support bracket into the rotisserie slot on the **left** side of your grill. See Fig. 2-1, A for reference.

**Note:** Ensure the motor and cord are facing outward away from the grill as shown in Fig. 2-2.

2. Slide the spit rod support bracket into the rotisserie slot on the **right** side of the grill.
3. Verify that each support bracket is secured into place.
4. Proceed to the ROTISSERIE INSTRUCTIONS section for rotisserie setup and use.

## HEIGHT EXTENSION BRACKET INSTALLATION

**Important:** For oven hood models only, keep the hood open while operating. Do not close the hood during use.

The height extension bracket is used to increase the rotisserie cooking height by 3".

1. Follow steps 1-4 above.
2. Lift a supporting bracket slightly, and install a height extension bracket. See Fig. 2-1, A and B.
3. Ensure that both brackets are fully inserted and secured into the extension bracket slots. See Fig. 2-1, C and Fig. 2-2.

Proceed to ROTISSERIE INSTRUCTIONS section for rotisserie setup and use.

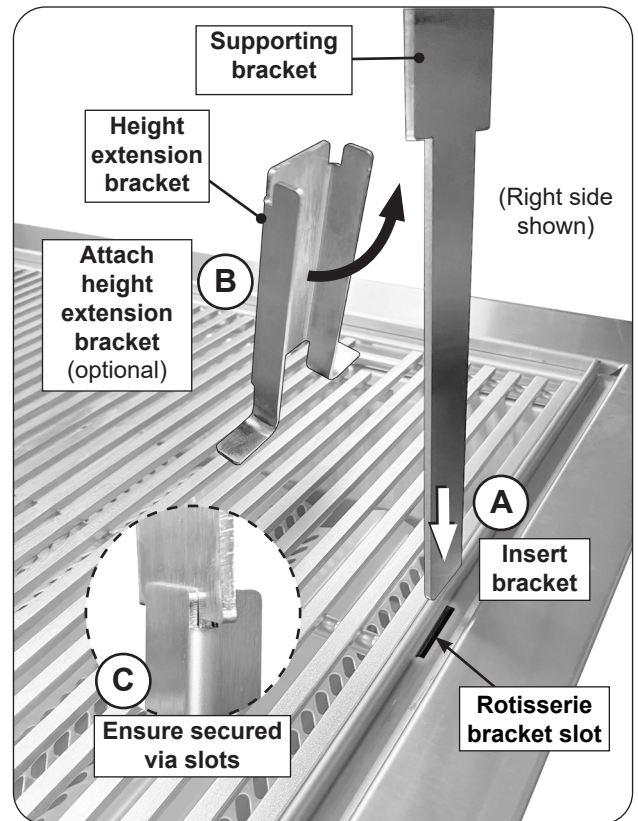


Fig. 2-1 Install brackets

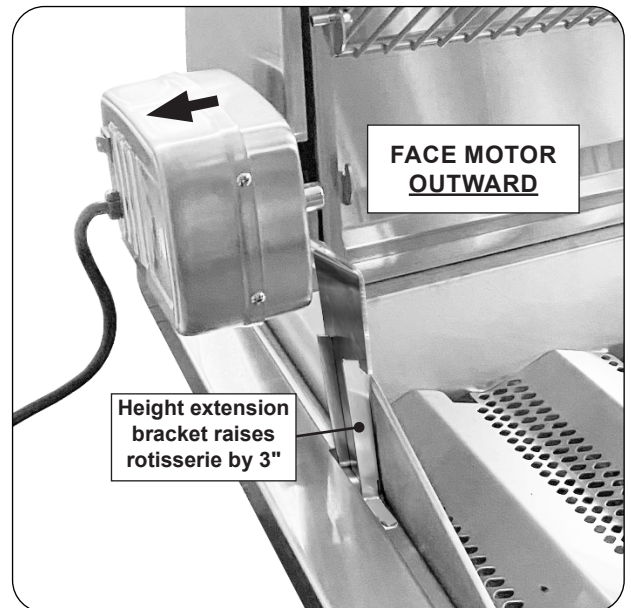
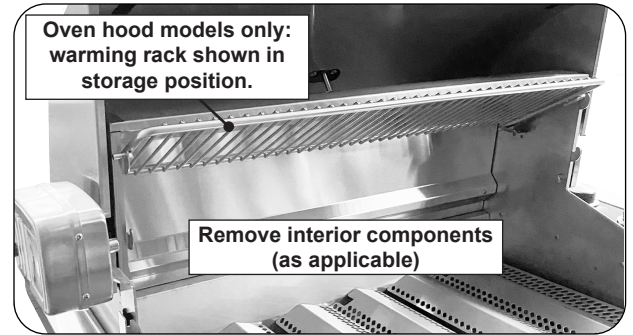


Fig. 2-2 Installation detail

# ROTISSERIE INSTRUCTIONS

1. **Oven hood models:** Set the warming rack to storage position (see Fig. 3-1). The warming rack may also be removed if needed.
2. Remove all cooking grids and set aside.
3. Connect the rotisserie motor to a power source (do not turn on).
4. Remove the rotisserie rod and meat holders from packaging and clean all components.
5. Follow steps A-D as shown in Fig. 3-2 to set up the rotisserie rod for rotisserie cooking.
6. For uneven weight distribution, a counterbalance is included for optional use. Follow the steps below when installing the counterbalance (see Fig. 3-2, E):
  - Hold both ends of the rod so it settles freely (**do not grip tightly**). Allow the rod to rotate until the heavy side of the meat hangs down naturally using gravity.
  - Point the counterbalance upward, opposite of the heavy side of the meat and install the counterbalance.
  - Tighten the counterbalance arm.



**Fig. 3-1** Prepare grill for rotisserie cooking

### CAUTION:

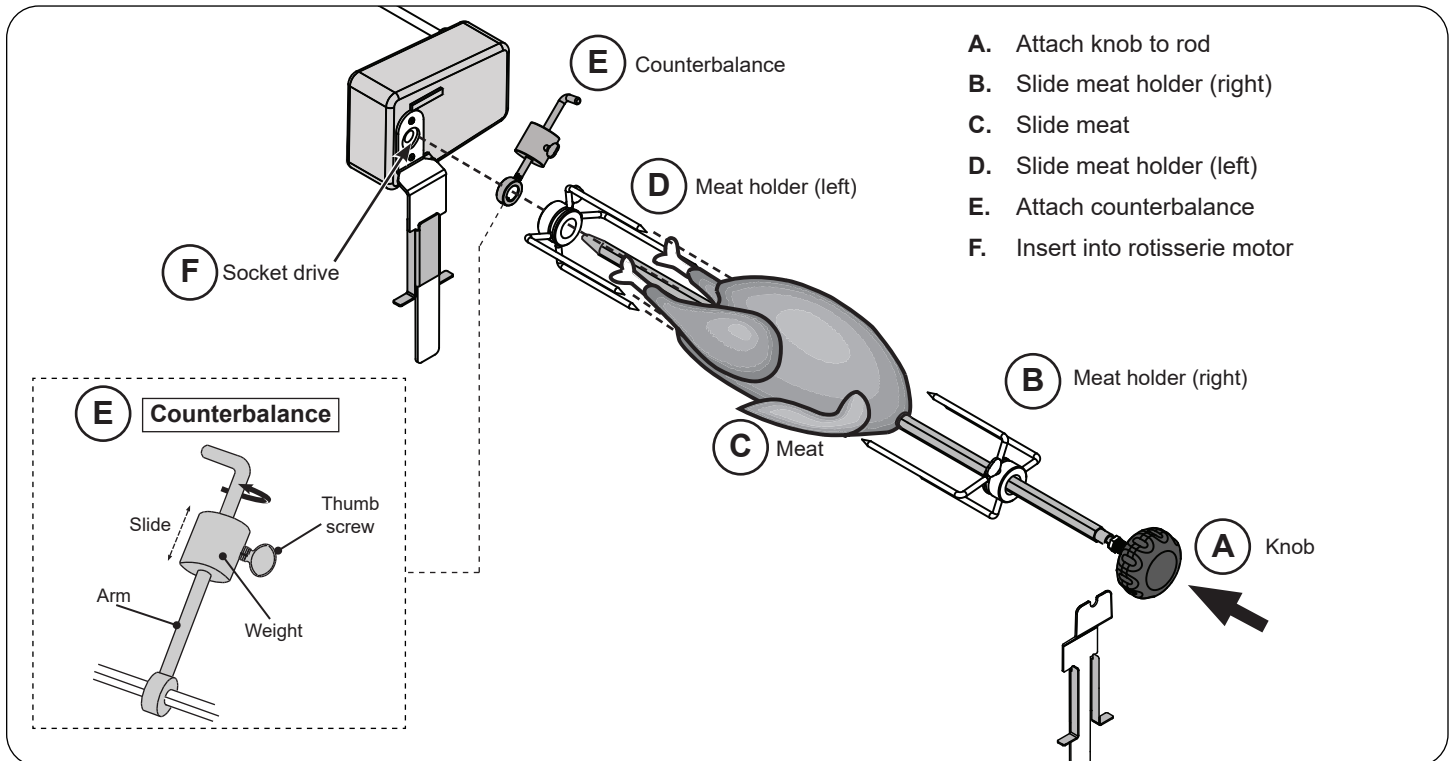
**Do not use the rotisserie motor in the rain. Do not leave the motor installed when not in use.**

**The oven hood cannot be closed when using the height extension brackets.**

**Important:** Heavy unbalanced meats can stress the rotisserie motor and may cause motor failure.

**Important:** Make sure the counterbalance will not strike the grill frame when the rotisserie has started.

7. Insert the pointed-end of the rod into the motor drive socket (see Fig. 3-2, F) and rest the handle-end of the rod onto the opposite bracket.
8. Press the motor power switch to start.
9. Inspect the rotation of the meat and adjust the counterbalance if needed:
  - Loosen the thumb screw and slide the weight along the counterbalance arm until the rod rotates most evenly for proper weight distribution as applicable. Then tighten the thumb screw. See Fig. 3-2, E.



**Fig. 3-2** Set up rotisserie rod

Please use this page to record any information that you may want to have at hand.