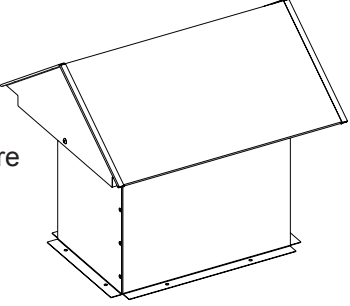
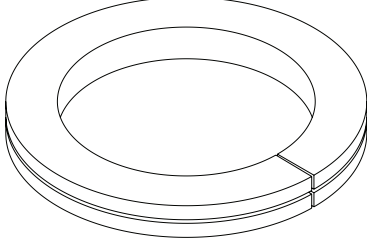
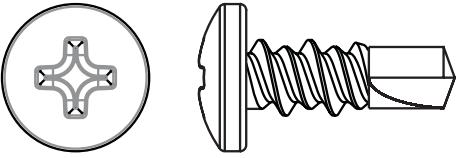
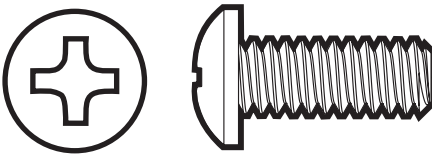
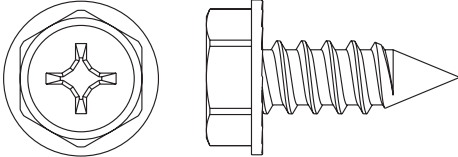
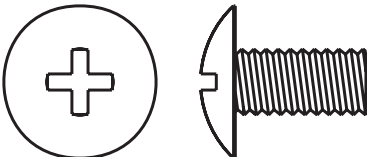


# DVKCV-1 VERTICAL CONVERSION INSTALLATION INSTRUCTIONS

FOR USE ON DVKPM-1 HORIZONTAL POWER VENT

INSTRUCTIONS MUST BE LEFT WITH THE OWNER FOR FUTURE REFERENCE AFTER INSTALLATION.

## CARTON CONTENTS AND HARDWARE PACKET IDENTIFICATION

<p>Sheet Metal (Shown Here) Assembled. For Exploded View, See Figure 12, Page 5.</p> 	<p>Items Not Shown To Scale</p> 
<p><b>Vertical Conversion Kit Sheet Metal - QTY (1)</b></p>	<p><b>Rope Gasket - QTY (1)</b></p>
	
<p><b>Phillips Screw 10-16 X 1/2 Inch - QTY (8)</b></p>	<p><b>Pan-Head Screw Ss, 10-24 X 1/2 Inch - QTY (6)</b></p>
	
<p><b>Hex Head Screw #10 X 1/2 Inch - QTY (2)</b></p>	<p><b>Pan-Head Screw Ss, 10-24 X 3/8 Inch - QTY (6)</b></p>

### TOOLS NEEDED:

- 5/16 inch nut driver or screw gun
- #2 Phillips driver or screw gun
- 300° F continuous exposure silicone sealant

### ⚠ CAUTION

Sharp edges. Use gloves when installing this kit.

## DETERMINING MINIMUM VENT HEIGHT ABOVE THE ROOF

### ⚠ WARNING

Major U.S. building codes specify minimum chimney and/or vent height above the roof top. These minimum heights are necessary in the interest of safety. These specifications are summarized in Figure 1.

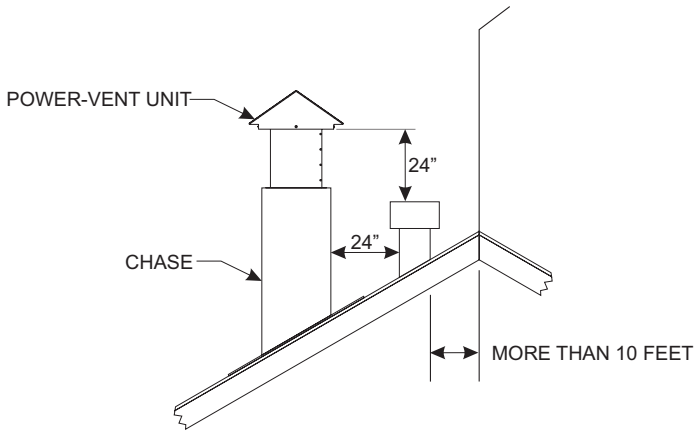


Figure 1

Note that for steep roof pitches, the vent height must be increased. In high wind conditions, nearby trees, adjoining roof lines, steep pitched roofs, and other similar factors can result in poor draft, or down-drafting. In these cases, increasing the vent height may solve this problem.

### THE DVKCV KIT MUST BE MOUNTED ON A FLAT SURFACE EITHER DIRECTLY ON A FLAT ROOF OR ON A CHASE.

Construct a chase or a framework on a flat roof with an opening that measures 14-1/2 inches wide and 9-1/2 inches deep as shown in Figure 2.

#### FRAMING DIMENSIONS DIAGRAM

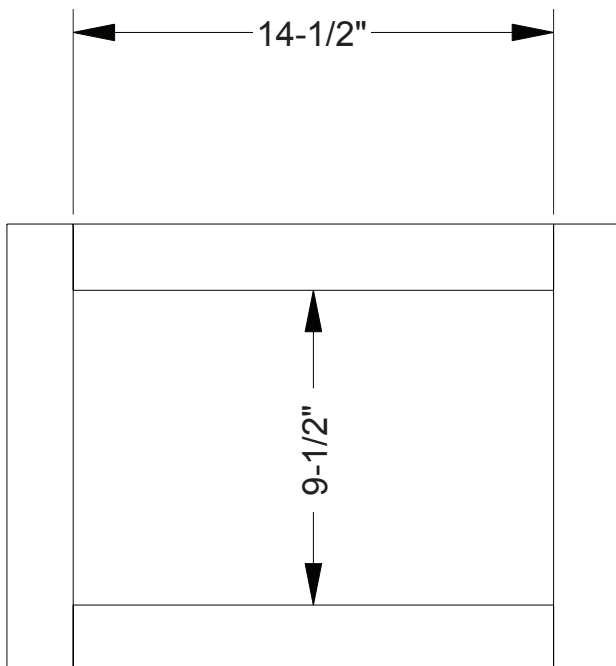


Figure 2

## INSTALLING THE VENT SYSTEM IN A CHASE

A chase is a vertical box-like structure built to enclose the gas fireplace and/or its vent system.

### ⚠ CAUTION

Treatment of firestop spacers and construction of the chase may vary with the type of building. These instructions are not substitutes for the requirements of local building codes. Check local building codes to determine the requirements for these steps.

**NOTICE:** Build the chase large enough to maintain the minimum clearance of combustible materials (including insulation) to the vent system. When installing the vent system in a chase, insulate the chase as you would the outside walls of your home. This is especially important in cold climates. Upon completion of chase framing, install the vent system by following the instructions in this manual.

The vertical termination cap for this fireplace must not be any closer than 24-in. to combustible materials.

If two vertical terminations are run near each other, they may be placed a minimum of 12 inches between them if they are at the same height. See Figure 3. If two vent terminations are not at the same height, they must be positioned at least 24 inches apart to minimize draft issues between them.

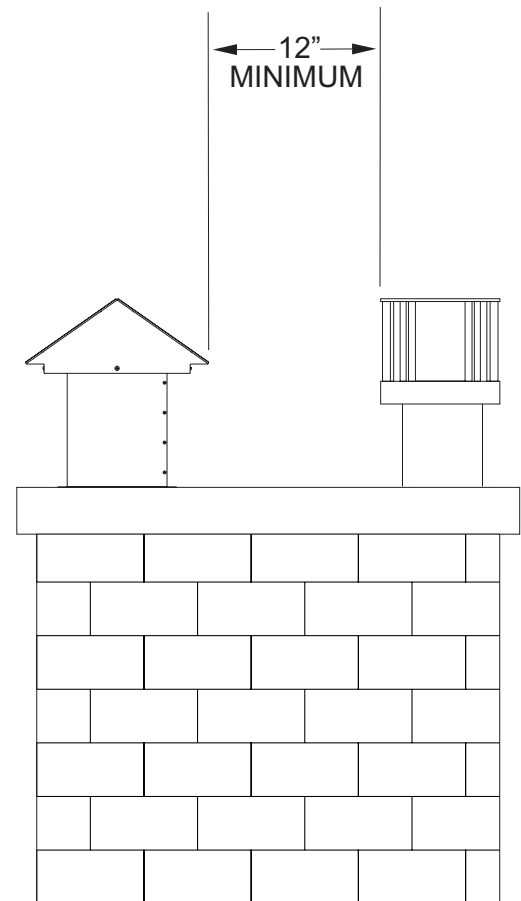
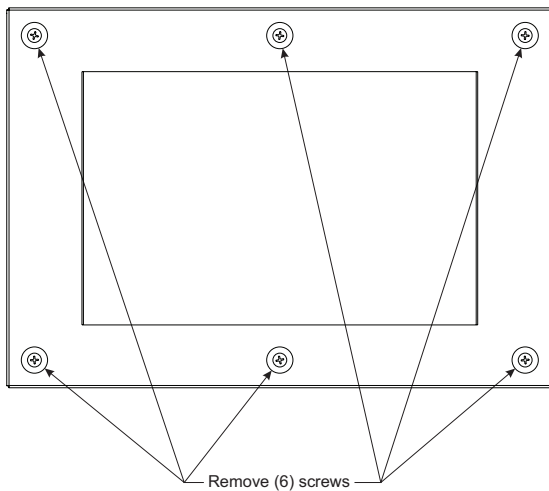


Figure 3

## PREPARING DVPKM HORIZONTAL POWER VENT

Remove the front fascia and foam gasket, by removing the 6 screws show in **Figure 4**. These will not be needed for vertical termination.



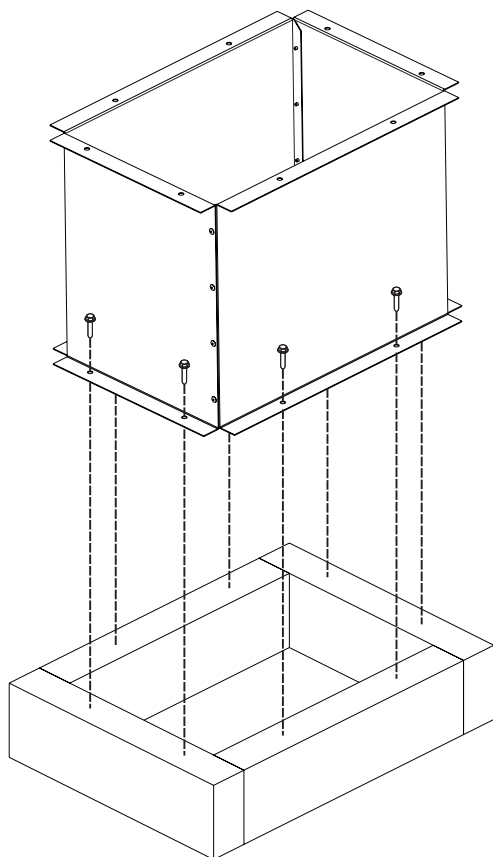
**Figure 4**

## INSTALLATION

Apply silicone sealant around the base of the vertical standoff then mount to the newly constructed framing with 8 screws (not provided) as show in **Figure 5**. Flash connection between the vertical stand off and the roof or chase so there is a water tight seal.

**NOTE:** Sealant must be rated for 300°F continuous exposure at minimum.

**FLASHING MUST BE PROVIDED BY INSTALLER**



**Figure 5**

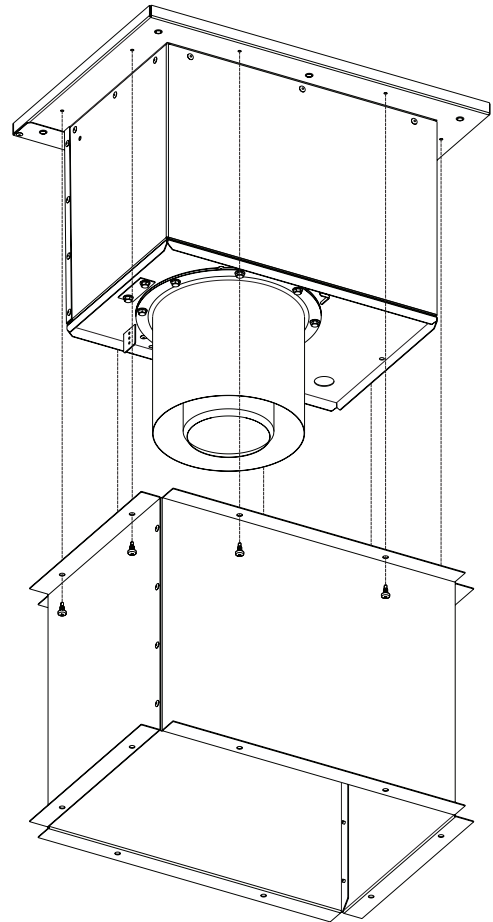
**NOTICE:** Size of the roof hole dimensions depend on the pitch of the roof. There must be a 1 inch clearance to the vertical pipe sections. This clearance is to all combustible material.

**NOTE:** A 12 inch vertical standoff is supplied with this kit, due to local building codes this height may need to be increased.

Apply silicone sealant to the top flange of the vertical standoff.

**NOTE:** Sealant must be rated for 300° F continuous exposure at minimum.

Slide the Power-Vent into the vertical standoff and attach with 8 #10X1/2 self-drilling screws as shown in **Figure 6**.

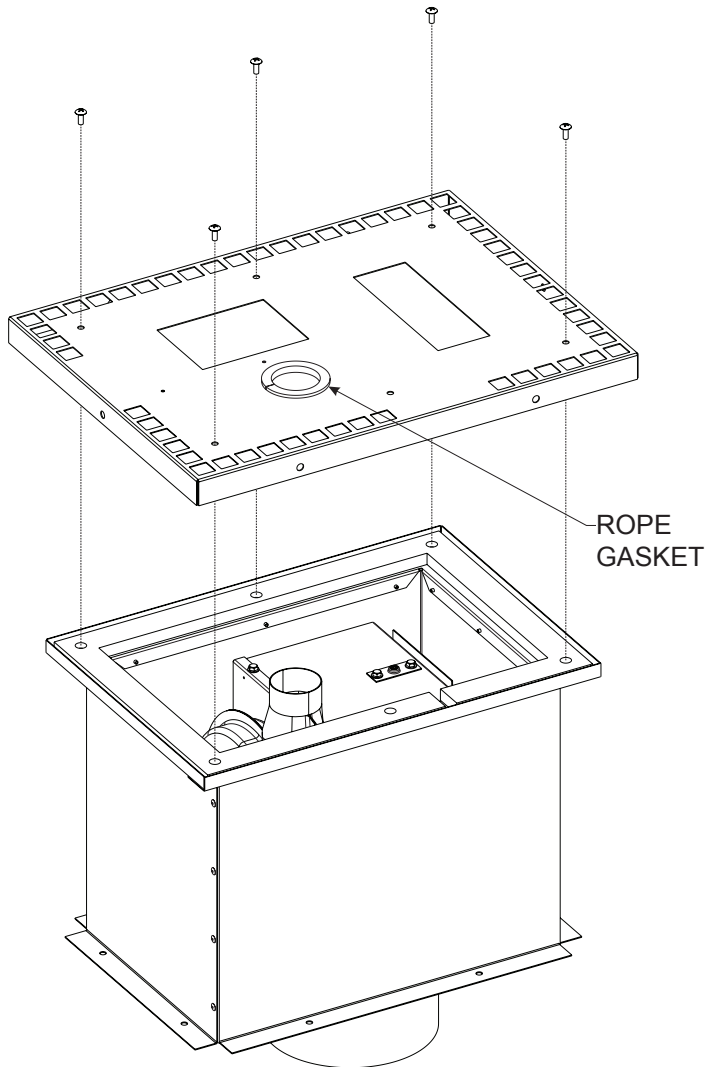


**Figure 6**

Verify that the damper door is adjusted to the correct setting according to the damper adjustment section of the power vent manual.

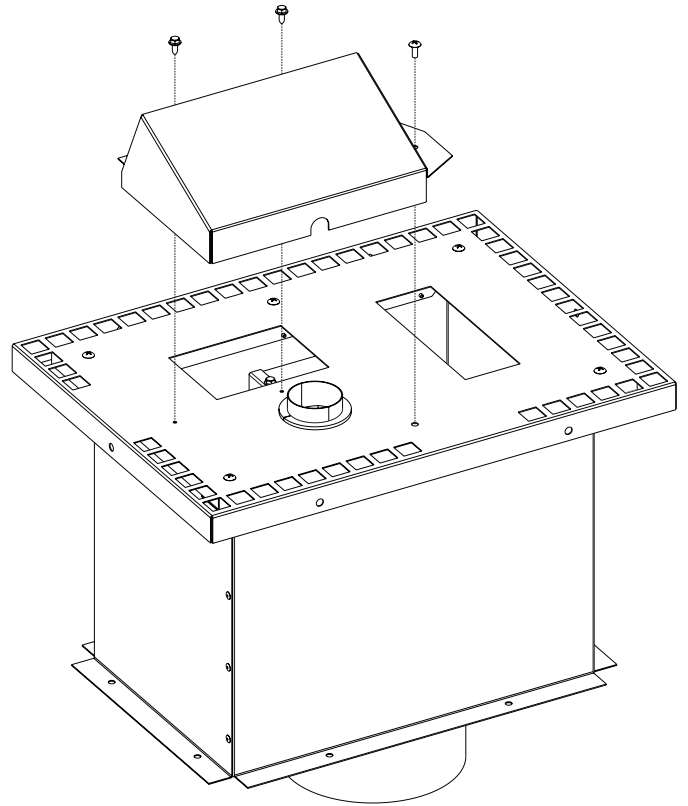
Peel the backing from the rope gasket. Attach the gasket to the inside of the flue outlet hole with 3/8 inch above and below the fascia plate. Fold the top and bottom over as shown in **Figure 9**.

Attach the vertical fascia plate to the power vent with 5 10-24 X 1/2 inch screws as shown in **Figure 9**.



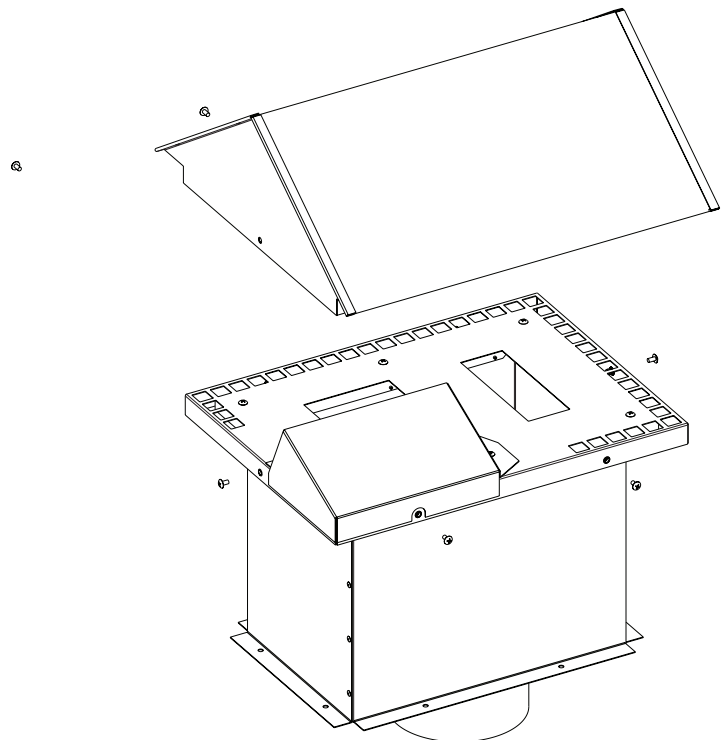
**Figure 9**

Attach the flue outlet hood with 2 #10 X 1/2 inch screws and 1 10-24 X 1/2 screw. As shown in **Figure 10**.

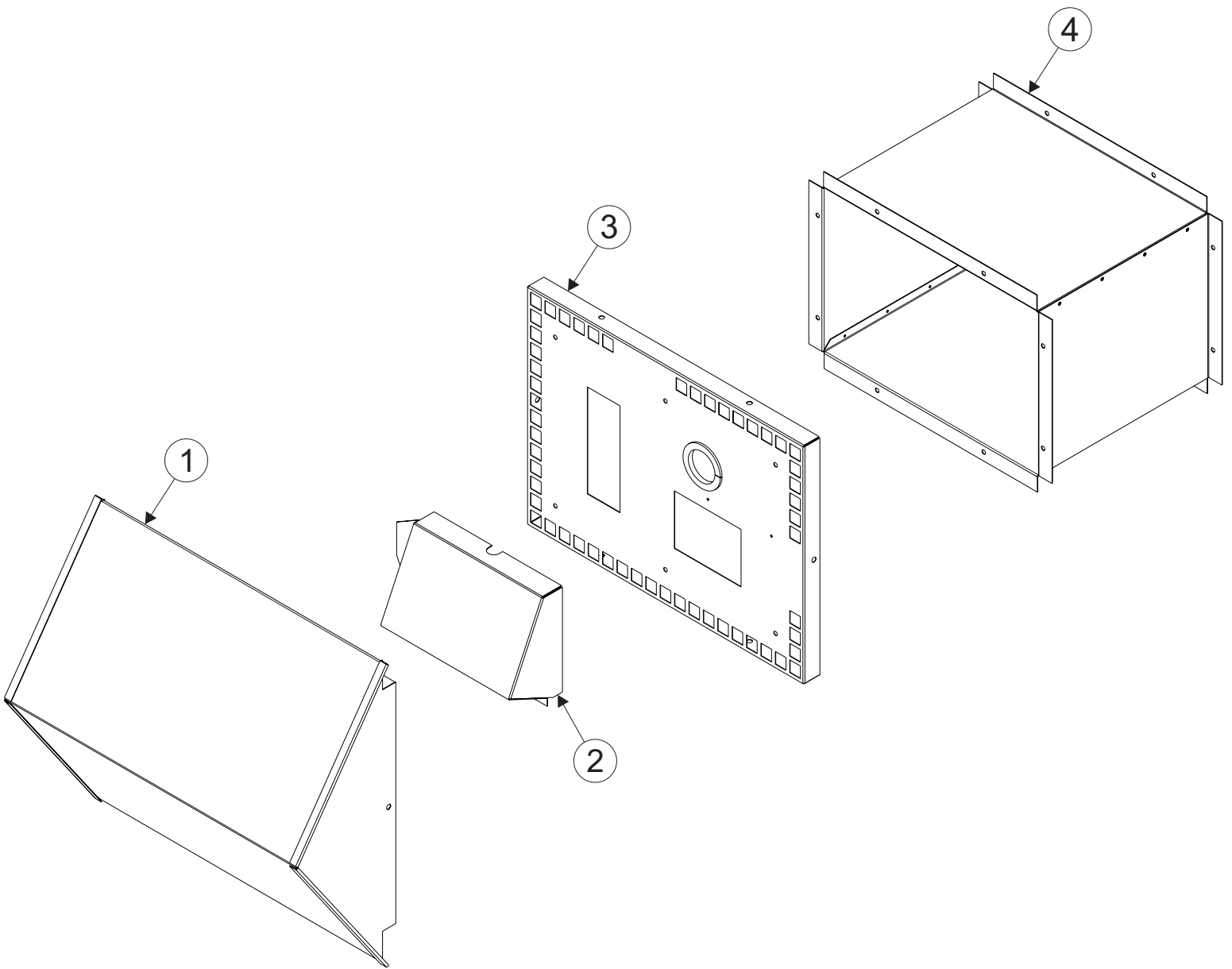


**Figure 10**

Attach the hood to the fascia plate with 6 10-24 X 3/8 screws as shown in **Figure 11**.



**Figure 11**



**Exploded View - Figure 12**

VERTICAL TERMINATION KIT		
Index No.	Description	Qty
1	Hood Assembly	1
2	Flue Outlet Duct-Vertical	1
3	Fascia Plate-Vertical	1
4	Vertical Standoff Assembly	1

**See Exploded View Figure 12.**

This page intentionally left blank.

This page intentionally left blank.



SINCE 1932

[www.empirecomfort.com](http://www.empirecomfort.com)

**Empire Comfort Systems Inc.**  
**Belleville, IL**

If you have a general question  
about our products, please e-mail  
us at [info@empirecomfort.com](mailto:info@empirecomfort.com).

If you have a service or repair  
question, please contact your dealer.