

# McKinley 60-inch Direct-Vent Fireplace DVCTL60



## INCLUDES

- Wrap around flame
- Recessed accent lighting
- Thermostatic variable remote control
- Invisimesh barrier screen

## REQUIRES

- Logs
- Liner
- Power Vent

## FRAMING DIMENSIONS

59 7/8" H x 75 1/8" W x 23 1/2" D

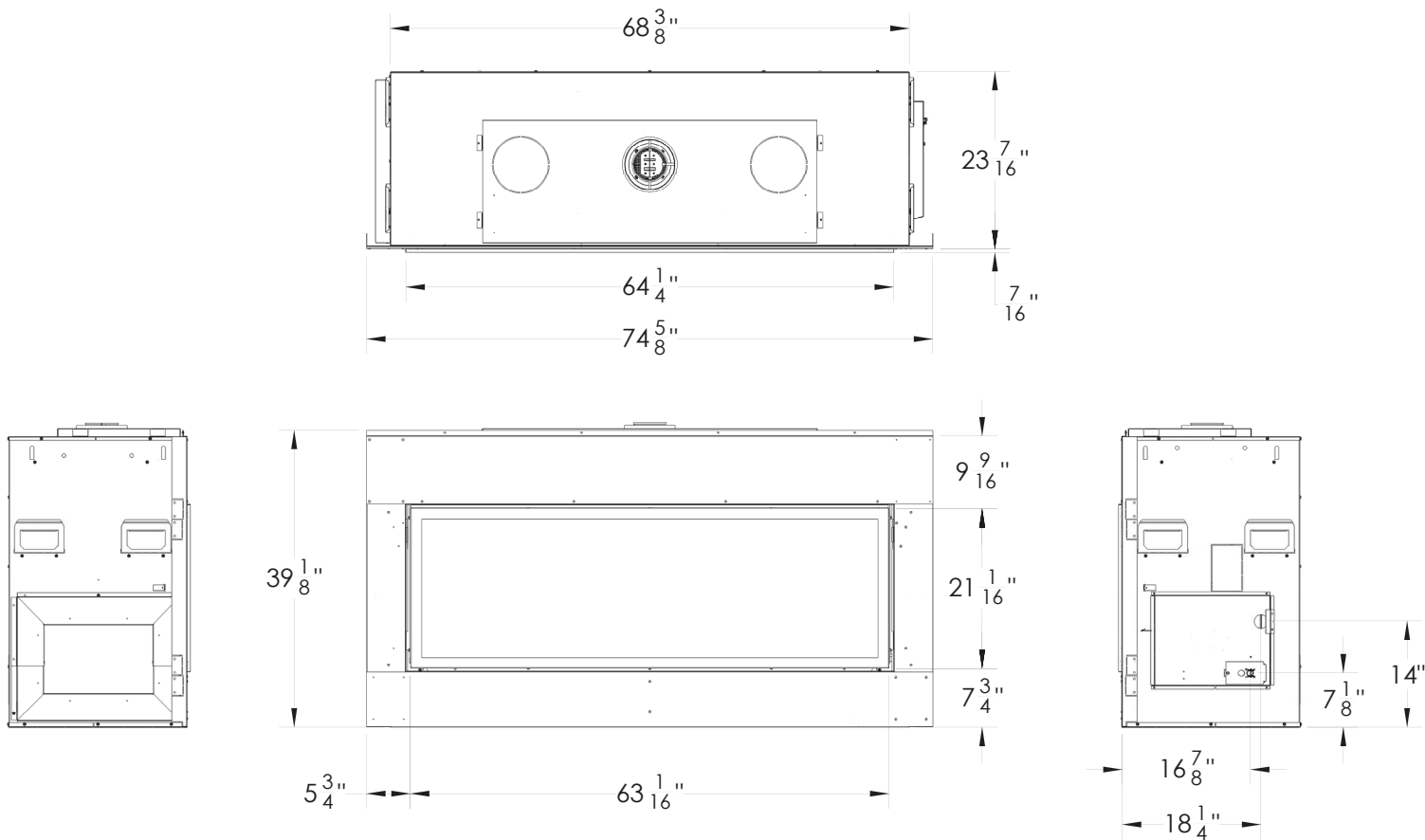
## TECHNICAL INFORMATION

- Maximum heat output:  
14,500 BTUs to 58,000 BTUs
- Weight: 260 lbs.
- Type of Gas: LP or Natural
- Iron Pipe Size: 1/2-inch
- Ignition Systems: Intermittent Pilot

## FIELD INSTALLED ACCESSORIES

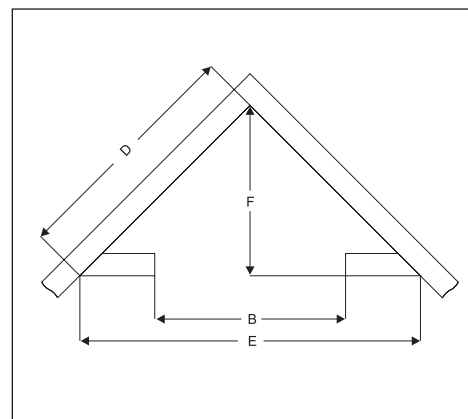
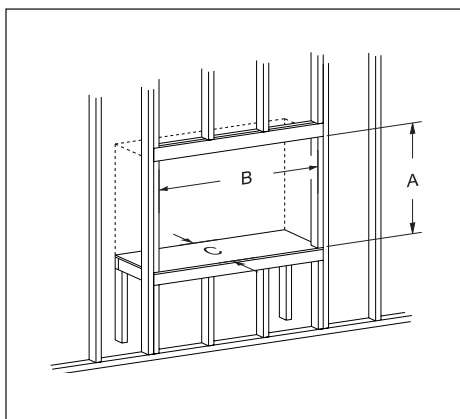
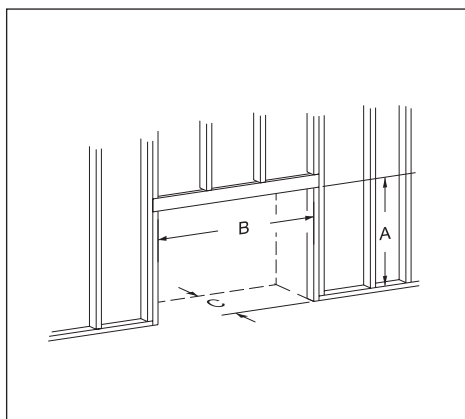
- Traditional or Birch Logset
- Fiber Liner or Black Glass Liner
- Decorative Fronts

# DVCTL60



Model	A	B	C	D	E	F
DVCTL60	59-7/8	75-1/8	23-1/2	85-5/16	115-1/2	57-3/4

Measurements given in inches. Dimensions may vary based on install. See manual.



Empire is committed to continuous product improvement; specifications are subject to change without notice. Dimensions in this brochure are approximate; read and follow the framing dimensions in the owners manual supplied with your Empire product. Flame size, shape, and color will vary from photos. Our mantels feature natural veneers and hand-rubbed finishes – wood grain and color will vary. Adjust light levels and use "natural light" incandescent bulbs to enhance the dramatic look for your wooden mantel.

Member of the following industry associations:



This appliance is design-certified to the ANSI standard by:



SINCE 1932

Empire Comfort Systems Inc.  
918 Freeburg Ave.  
Belleville, IL 62220-2623  
info@empirecomfort.com  
03/23

The Empire Comfort Systems and White Mountain Hearth names and logos are registered U.S. trademarks.