

INSTALLATION INSTRUCTIONS

(SEE HOMEOWNER MANUAL FOR OPERATING INSTRUCTIONS)

INSTALLER:

Leave this manual with the appliance.

CONSUMER:

Retain this manual for future reference.

⚠ WARNING

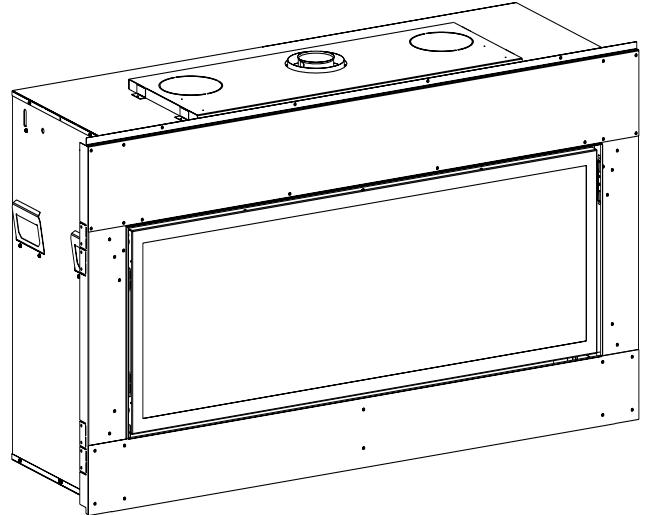
FIRE OR EXPLOSION HAZARD

Failure to follow safety warnings exactly could result in serious injury, death, or property damage.

- Do not store or use gasoline or other flammable vapors and liquids in the vicinity of this or any other appliance.
- **WHAT TO DO IF YOU SMELL GAS**
 - Do not try to light any appliance.
 - Do not touch any electrical switch; do not use any phone in your building.
 - Leave the building immediately.
 - Immediately call your gas supplier from a neighbor's phone. Follow the gas supplier's instructions.
 - If you cannot reach your gas supplier, call the fire department.
- Installation and service must be performed by a qualified installer, service agency or the gas supplier.

DIRECT-VENT ZERO CLEARANCE GAS FIREPLACE HEATER MODEL SERIES:

DVCTL60CFP95N



This appliance may be installed in an aftermarket, permanently located, manufactured home (USA only) or mobile home, where not prohibited by local codes.

This appliance is only for use with the type of gas indicated on the rating plate. This appliance is not convertible for use with other gases, unless a certified kit is used.

⚠ DANGER



**HOT GLASS WILL CAUSE BURNS.
DO NOT TOUCH GLASS UNTIL COOLED.
NEVER ALLOW CHILDREN TO TOUCH GLASS.**

A barrier designed to reduce the risk of burns from the hot viewing glass is provided with this appliance and must be installed for the protection of children and other at-risk individuals.

NATIONAL
FIREPLACE
INSTITUTE



www.nficertified.org

We suggest that our gas hearth products be installed and serviced by professionals who are certified in the U.S. by the National Fireplace Institute® (NFI) as NFI Gas Specialists.

GAS-FIRED



UL FILE NO. MH30033

This fireplace is design certified in accordance with American National Standard/CSA Standard ANSI Z21.88/CSA 2.33 and by Underwriters Laboratories as a Direct Vent Gas Fireplace Heater and shall be installed according to these instructions.

TABLE OF CONTENTS

SECTION	PAGE
Important Safety Information	3
Safety Information For Users Of Propane Gas	4
Requirements For Massachusetts.....	5
Introduction.....	6
Homeowner Reference Information	6
Attention Installer.....	7
Before You Start	8-9
Carton Contents And Hardware	10
Specifications	11
Accessories	11
Fireplace Dimensions.....	12
Locating Fireplace	13
Electrical Considerations.....	13
Blower Installation	14-15
Clearances	16
Vent Termination Clearances	17-18
Gas Supply.....	19
Accessing Valve Compartment	20
Testing The Gas Supply Pressure.....	21
Installation	22-24
Power Vent.....	25-32
High Wind Applications.....	32
Damper Adjustment.....	33
Air Shutter Adjustment.....	34
Multifunction Remote Operating Instructions	35-40
Control System Troubleshooting	41-42
Maintenance And Service.....	43-44
Component Wiring Diagram	45-46
Parts List	47
Exploded View.....	48
Master Parts Distributor List.....	49
How To Order Repair Parts	49
Warranty	50
Appliance Service History	51

IMPORTANT SAFETY INFORMATION

Before enclosing the vent pipe assembly, operate the appliance to ensure it is venting properly.

DO NOT OPERATE THIS APPLIANCE WITHOUT GLASS FRONT PANEL INSTALLED

WARNING

1. “Due to high temperatures, the appliance should be located out of traffic and away from furniture and draperies.”
2. “Children and adults should be alerted to the hazards of high surface temperature and should stay away to avoid burns or clothing ignition.”
3. “Young children should be carefully supervised when they are in the same room as the appliance. Toddlers, young children, and others may be susceptible to accidental contact burns. A physical barrier is recommended if there are at-risk individuals in the house. To restrict access to a fireplace or stove, install an adjustable safety gate to keep toddlers, young children, and other at-risk individuals out of the room and away from hot surfaces.”
4. For appliances requiring a barrier, as determined under Clause 5.15.4: “A barrier designed to reduce the risk of burns from the hot viewing glass is provided with this appliance and shall be installed for the protection of children and other at-risk individuals.”
5. “If the barrier becomes damaged, the barrier shall be replaced with the manufacturer’s barrier for this appliance.”
6. “Clothing or other flammable material should not be placed on or near the appliance.”
7. “Any safety screen, guard, or barrier removed for servicing an appliance must be replaced prior to operating the appliance” (see Clause 4.1.6).
8. “Installation and repair should be done by a qualified service person. The appliance should be inspected before use and at least annually by a professional service person. More frequent cleaning might be required due to excessive lint from carpeting, bedding material, et cetera. It is imperative that control compartments, burners, and circulating air passageways of the appliance be kept clean.”
9. The instructions for an appliance optionally for use with glass doors (or equivalent) shall state that, “Only doors certified with the appliance shall be used.”
10. The instructions for an appliance not intended for use with glass doors (or equivalent) shall emphasize that the appliance is not for use with glass doors.
11. Where applicable, provide a means by which the consumer can identify the barrier, (such as graphic representation, clear description, or reference marking).

WARNING

CARBON MONOXIDE POISONING HAZARD

Failure to follow the steps outlined below for each appliance connected to the venting system being placed into operation could result in carbon monoxide poisoning or death. The following steps shall be followed for each appliance connected to the venting system being placed into operation, while all other appliances connected to the venting system are not in operation:

1. Seal any unused openings in the venting system.
2. Inspect the venting system for proper size and horizontal pitch, as required in the *National Fuel Gas Code ANSI Z223.1/NFPA 54* or the *National Gas and Propane Installation Code CSA B149.1* and these instructions. Determine that there is no blockage or restriction, leakage, corrosion and other deficiencies which could cause an unsafe condition.
3. As far as practical, close all building doors and windows and all doors between the space in which the appliance(s) connected to the venting system are located and other spaces of the building.
4. Close fireplace dampers.
5. Turn on clothes dryers and any appliance not connected to the venting system. Turn on any exhaust fans, such as range hoods and bathroom exhausts, so they are operating at maximum speed. Do not operate a summer exhaust fan.
6. Follow the lighting instructions. Place the appliance being inspected into operation. Adjust the thermostat so appliance is operating continuously.
7. Test for spillage from draft hood equipped appliances at the draft hood relief opening after 5 minutes of main burner operation. Use the flame of a match or candle.
8. If improper venting is observed during any of the above tests, the venting system must be corrected in accordance with *National Fuel Gas Code, ANSI Z223.1/NFPA* and/or *National Gas and Propane Installation Code, CSA B149.1*.
9. After it has been determined that each appliance connected to the venting system properly vents when tested as outlined above, return doors, windows, exhaust fans, fireplace dampers and any other gas-fired burning appliance to their previous conditions of use.

SAFETY INFORMATION FOR USERS OF PROPANE GAS

Propane is a flammable gas which can cause fires and explosions. In its natural state, propane is odorless and colorless. You may not know all the following safety precautions which can protect both you and your family from an accident. Read them carefully now, then review them point by point with the members of your household. Someday when there may not be a minute to lose, everyone's safety will depend on knowing exactly what to do. If, after reading the following information, you feel you still need more information, please contact your gas supplier.

PROPANE GAS WARNING ODOR

If a gas leak happens, you should be able to smell the gas because of the odorant put in the Propane Gas. That's your signal to go into immediate action!

- Do not operate electric switches, light matches, use your phone. Do not do anything that could ignite the gas.
- Get everyone out of the building, vehicle, trailer, or area. Do that IMMEDIATELY.
- Close all gas tank or cylinder supply valves.
- Propane Gas is heavier than air and may settle in low areas such as basements. When you have reason to suspect a gas leak, keep out of basements and other low areas. Stay out until firefighters declare them to be safe.
- Use your neighbor's phone and call a trained Propane Gas service person and the fire department. Even though you may not continue to smell gas, do not turn on the gas again. Do not re-enter the building, vehicle, trailer, or area.
- **Finally**, let the service man and firefighters check for escaped gas. Have them air out the area before you return. Properly trained Propane Gas service people should repair the leak, then check and relight the gas appliance for you.

NO ODOR DETECTED - ODOR FADE

Some people cannot smell well. Some people cannot smell the odor of the chemical put into the gas. You must find out if you can smell the odorant in propane. Smoking can decrease your ability to smell. Being around an odor for a time can affect your sensitivity or ability to detect that odor. Sometimes other odors in the area mask the gas odor. People may not smell the gas odor or their minds are on something else. Thinking about smelling a gas odor can make it easier to smell.

The odorant in Propane Gas is colorless, and it can fade under some circumstances. For example, if there is an underground leak, the movement of the gas through soil can filter the odorant. Odorants in Propane Gas also are subject to oxidation. This fading can occur if there is rust inside the storage tank or in iron gas pipes.

The odorant in escaped gas can adsorb or absorb onto or into walls, masonry and other materials and fabrics in a room. That will take some of the odorant out of the gas, reducing its odor intensity.

Propane Gas may stratify in a closed area, and the odor intensity could vary at different levels. Since it is heavier than air, there may be more odor at lower levels. Always be sensitive to the slightest gas odor. If you detect any odor, treat it as a serious leak. Immediately go into action as instructed earlier.

SOME POINTS TO REMEMBER

- Learn to recognize the odor of Propane Gas. Your local Propane Gas Dealer can give you a "Scratch and Sniff" pamphlet. Use it to find out what the propane odor smells like. If you suspect that your Propane Gas has a weak or abnormal odor, call your Propane Gas Dealer.
- If you are not qualified, do not light pilot lights, perform service, or make adjustments to appliances on the Propane Gas system. If you are qualified, consciously think about the odor of Propane Gas prior to and while lighting pilot lights or performing service or making adjustments.
- Sometimes a basement or a closed-up house has a musty smell that can cover up the Propane Gas odor. Do not try to light pilot lights, perform service, or make adjustments in an area where the conditions are such that you may not detect the odor if there has been a leak of Propane Gas.
- Odor fade, due to oxidation by rust or adsorption on walls of new cylinders and tanks, is possible. Therefore, people should be particularly alert and careful when new tanks or cylinders are placed in service. Odor fade can occur in new tanks, or reinstalled old tanks, if they are filled and allowed to set too long before refilling. Cylinders and tanks which have been out of service for a time may develop internal rust which will cause odor fade. If such conditions are suspected to exist, a periodic sniff test of the gas is advisable. **If you have any question about the gas odor, call your Propane Gas Dealer. A periodic sniff test of the Propane Gas is a good safety measure under any condition.**
- If, at any time, you do not smell the Propane Gas odorant and you think you should, assume you have a leak. Then take the same immediate action recommended above for the occasion when you do detect the odorized Propane Gas.
- If you experience a complete "gas out," (the container is under no vapor pressure), turn the tank valve off immediately. If the container valve is left on, the container may draw in some air through openings such as pilot light orifices. If this occurs, some new internal rusting could occur. If the valve is left open, then treat the container as a new tank. Always be sure your container is under vapor pressure by turning it off at the container before it goes completely empty or having it refilled before it is completely empty.

REQUIREMENTS FOR MASSACHUSETTS

For all side wall horizontally vented gas fueled equipment installed in every dwelling, building or structure used in whole or in part for residential purposes, including those owned or operated by the Commonwealth and where the side wall exhaust vent termination is less than seven feet above finished grade in the area of the venting, including but not limited to decks and porches, the following requirements shall be satisfied:

1. **INSTALLATION OF CARBON MONOXIDE DETECTORS.** At the time of installation of the side wall horizontal vented gas fueled equipment, the installing plumber or gasfitter shall observe that a hard wired carbon monoxide detector with an alarm and battery back-up is installed on the floor level where the gas equipment is to be installed. In addition, the installing plumber or gasfitter shall observe that a battery operated or hard wired carbon monoxide detector with an alarm is installed on each additional level of the dwelling, building or structure served by the side wall horizontal vented gas fueled equipment. It shall be the responsibility of the property owner to secure the services of qualified licensed professionals for the installation of hard wired carbon monoxide detectors
 - a. In the event that the side wall horizontally vented gas fueled equipment is installed in a crawl space or an attic, the hard wired carbon monoxide detector with alarm and battery back-up may be installed on the next adjacent floor level.
 - b. In the event that the requirements of this subdivision can not be met at the time of completion of installation, the owner shall have a period of thirty days to comply with the above requirements; provided, however, that during said thirty day period, a battery operated carbon monoxide detector with an alarm shall be installed.
2. **APPROVED CARBON MONOXIDE DETECTORS.** Each carbon monoxide detector as required in accordance with the above provisions shall comply with NFPA 720 and be ANSI/UL 2034 listed and IAS certified.
3. **SIGNAGE.** A metal or plastic identification plate shall be permanently mounted to the exterior of the building at a minimum height of eight feet above grade directly in line with the exhaust vent termination for the horizontally vented gas fueled heating appliance or equipment. The sign shall read, in print size no less than 1/2 inch in size, **“GAS VENT DIRECTLY BELOW. KEEP CLEAR OF ALL OBSTRUCTIONS”**.
4. **INSPECTION.** The state or local gas inspector of the side wall horizontally vented gas fueled equipment shall not approve the installation unless, upon inspection, the inspector observes carbon monoxide detectors and signage installed in accordance with the provisions of 248 CMR 5.08(2)(a) 1 through 4.
 - (b) **EXEMPTIONS:** The following equipment is exempt from 248 CMR 5.08(2)(a)1 through 4:
 1. The equipment listed in Chapter 10 entitled “Equipment Not Required To Be Vented” in the most current edition of NFPA 54 as adopted by the Board; and
 2. Product Approved side wall horizontally vented gas fueled equipment installed in a room or structure separate from the dwelling, building or structure used in whole or in part for residential purposes.
 - (d) **MANUFACTURER REQUIREMENTS - GAS EQUIPMENT VENTING SYSTEM NOT PROVIDED.** When the manufacturer of a Product Approved side wall horizontally vented gas fueled equipment does not provide the parts for venting the flue gases, but identifies “special venting systems”, the following requirements shall be satisfied by the manufacturer:
 1. The referenced “special venting system” instructions shall be included with the appliance or equipment installation instructions; and
 2. The “special venting systems” shall be Product Approved by the Board, and the instructions for that system shall include a parts list and detailed installation instruction.
 - (e) A copy of all installation instructions for all Product Approved side wall horizontally vented gas fueled equipment, all venting instructions, all parts lists for venting instructions, and/or all venting design instructions shall remain with the appliance or equipment at the completion of the installation.

INTRODUCTION

The information in this manual pertains to all models and gas control systems unless otherwise noted.

Instructions To Installer

1. Leave this manual with Homeowner.
2. Have the homeowner complete the Product Registration Card or register online at www.empirecomfort.com
3. Show the homeowner how to start and operate the fireplace.

Notes To Installer

- This fireplace is designed to:
 - Operate with combustion air siphoned from outside of the building.
 - Expel all exhaust gases to the outside of the building.
- The installation must conform with local codes or, in the absence of local codes, with the National Fuel Gas Code ANSI Z223.1/NFPA 54* Natural Gas and Propane Installation Code, or CSA B149.1 in Canada. *Available from the American National Standards Institute, Inc. 11 West 42nd St., New York, N.Y. 10036
- Any alteration of the original design, installation other than as shown in these instructions, or use with a type of gas not shown on the rating plate is the responsibility of the person and company making the change.
- This fireplace is not for use with solid fuels.
- These fireplace models may be installed in a bedroom or bed-sitting room in the U.S.A. and Canada.

WARNING

Any change to this fireplace can be dangerous. Improper installation or use can cause serious injury or death from fire, burns, explosion or carbon monoxide poisoning.

Fireplace Certification

This fireplace is design certified in accordance with American National Standard/CSA Standard ANSI Z21.88/CSA 2.33 and by Underwriters Laboratories as a Direct Vent Gas Fireplace Heater and shall be installed according to these instructions.

Consult your local building code agency, prior to installation, to ensure compliance with local codes-including permits and inspections.

The fireplace, when installed, must be electrically grounded in accordance with local codes or, in absence of local codes, with the National Electric Code ANSI/NFPA 70 or Canadian Electric code, CSA C22.1, if an external electrical source is utilized.

Qualified Installing Agency

Installation and replacement of gas piping, gas utilization equipment or accessories and repair and servicing of equipment shall be performed only by a qualified agency. The term "qualified agency" means any individual, firm, corporation or company which either in person or through a representative is engaged in and is responsible for (a) the installation or replacement of gas piping or (b) the connection, installation, repair or servicing of equipment, who is experienced in such work, familiar with all precautions required and has complied with all the requirements of the authority having jurisdiction.

Commonwealth of Massachusetts: The installation must be made by a licensed plumber or gas fitter in the Commonwealth of Massachusetts.

High Altitude (USA)

When installing this fireplace at an elevation above 2000 feet (in the United States) it may be necessary to decrease the input rating by changing the existing burner orifice to a smaller size. Generally, input should be reduced 4 percent for each 1000 feet above sea level. However, if the heating value of the gas has been reduced, this general rule may not apply. Check with Empire Comfort System's local gas utility for proper orifice size identification.

High Altitude (CANADA)

Altitude: 0-4500 feet (0-1370 m)

When installing this fireplace at an elevation above 4500 feet (in Canada), check with local authorities.

Consult your local gas utility for assistance in determining the proper orifice for your location.

HOMEOWNER REFERENCE INFORMATION

We recommend that you record the following information about your fireplace.

Model Number: _____

Date purchased: _____

Serial Number: _____

Location of fireplace: _____

Dealer Name: _____

Dealer Phone: _____

Notes: _____

ATTENTION INSTALLER:

FOLLOW THIS STANDARD WORK CHECKLIST

This standard work checklist is to be used by the installer in conjunction with, not instead of, the instruction manual.

Customer: _____

Date Installed: _____

Lot/Address: _____

Fireplace Location: _____

Model: DVCTL60CFP95N

Installer: _____

Serial # _____

Dealer Phone #: _____

FIREPLACE INSTALLATION

Verified clearances to combustibles. (pg. 16)

COMMENTS

Fireplace is leveled and secured.

VENTING/CHIMNEY/PowerFlow™ HEAT DISTRIBUTION

Venting configuration complies to vent diagrams. (pgs. 28-29)

Venting installed, locked, secured in place with correct clearance.

Firestops installed.

Exterior wall/roof flashing installed and sealed.

Terminations installed and sealed. (pgs. 29-31)

Light unit and test venting before enclosing the fireplace.

ELECTRICAL (pgs. 45-46)

Unswitched power (110-120 VAC) provided to the appliance.

GAS (pg. 19)

Proper appliance for fuel type.

Was a conversion performed?.....

Yes No

Leak check performed and inlet pressure verified.....

FINISHING (pg. 23)

Non-combustible board used as required.....

Verified all clearances meet installation manual requirements.

Mantels and wall projections comply with installation manual requirements.

Granite or Clean Face finishing complete and complies with clearance requirements in installation manual.

Barrier screen for glass properly installed.

FIREPLACE SETUP

All packaging and protective materials removed (inside & outside of appliance)

Media installed correctly.

Firebox glass assembly cleaned, installed, and secured.

Accessories installed properly.

Manual envelope and all of its contents are removed from inside/outside the appliance and given to party responsible for use and operation.

Started Appliance and verified no gas leaks exist.

Empire recommends the following:

- Photograph the installation and copying this checklist for your file.
- Keep this checklist visible on the fireplace until the installation is complete.

Comments: Further description of the issues, who is responsible (Installer/Builder/Other, etc) and corrective action needed:

Comments communicated to party responsible _____ by _____ on _____

BEFORE YOU START

Samples, Warnings, and Definitions:

DANGER

Indicates a hazardous situation which, if not avoided, will result in death or serious injury.

WARNING

Indicates a hazardous situation which, if not avoided, could result in death or serious injury.

CAUTION

Indicates a hazardous situation which, if not avoided, could result in minor or moderate injury.

NOTICE: Addresses practices not related to personal injury.

Read all instructions before starting installation and follow them carefully to ensure safety. Failure to follow the instructions will void the warranty and may cause a fire hazard.

The warranty will be voided by, and the warranter disclaims any responsibility for the following actions:

- Installation by anyone other than the dealer or his agent.
- Installation of any damaged fireplace or component.
- Modification of the fireplace or direct vent system.
- Installation other than as instructed by Empire Comfort Systems.
- Improper positioning of logs, glass door, or accessories.
- Installation and/or use of any component part not manufactured or approved by Empire Comfort Systems.

All correspondence should refer to complete Model Number, Serial Number and type of gas. Fill out the Homeowner Reference Section on **(Page 6)**.

Unpacking The Fireplace

1. Remove the outer boards/crate by removing screws.
2. Cut away shrink-wrap material around the unit. Retain instruction manual and instruction sheets.
3. Get help to lift unit off of the pallet using the handles.
4. Remove non-combustible board from the pallet and place in a safe location. It will be needed for installation.
5. Ember bed may remain in unit until installation in wall. Instruction sheet from step #2 shows how to remove barrier screen and glass door.

Television Considerations

Installing a television above a fireplace has become increasingly popular; however, the area above any fireplace gets hot and most TV manufacturers recommend against placing their products near a heat source.

If you install a television above this fireplace, Empire Comfort Systems accepts no responsibility for damage or injuries. Follow the television manufacturer's installation instructions, including any recommendations regarding proximity to heat sources.

If you have a TV above your fireplace, turn off the fireplace and let it cool completely before servicing or touching any buttons on the TV.

BEFORE YOU START (CONT'D)

Preparation

This fireplace and its components are safe when installed in accordance with this Manual. Report any parts damaged in shipment to your dealer. Do not install the fireplace with damaged, incomplete or substitute parts.

Installation Considerations:

- Gas supply piping – right side entrance
- Electrical supply and connections
- 120V, 60Hz, 2 Amp
- Right side entrance
- Allowable fireplace mounting surfaces:
 - A flat, hard, combustible or non-combustible surface
 - A raised platform of combustible or non-combustible material.
- The four corners of the fireplace onto non-combustible material so that contact is made on all four perimeter edges on the bottom of the fireplace – such as on cinder blocks (where allowed by local codes).
- If the fireplace is installed directly on carpeting, tile or other combustible material other than wood flooring, it should be installed on a metal or wood panel extending the full width and depth of the fireplace.
- This fireplace is designed to be installed in a zero-clearance enclosure. Combustible material can come in contact with the side standoff spacers, and the fireplace can be secured to combustible framing with the framing brackets provided with the fireplace.

Planning The Installation

First determine where the fireplace will be located and what accessories will be installed.

Your location must allow for:

- Venting – either vertical or horizontal. Choose a vent configuration, **(See Pages 25-32)** and make sure the required access through attics and walls is not blocked by other utilities such as water lines, sewer vents, gas lines, etc. If access is blocked, you will need to move the utilities or relocate the fireplace.
- Gas supply piping (right side entrance) – see pipe size and specs on **(Page 19)**.
- Electrical supply requirements (120V, 60Hz, 1 Amp) (right side entrance)
- Proper framing required for installation of the fireplace. See framing dimensions on **(Page 22)**.
- Finishing the fireplace – drywall thickness, tile or stone thickness, and the desired decorative accessories can affect how you frame the opening and how you attach the nailing flanges to set the proper depth. **(See Page 23)** for finishing details, before you begin.

Accessories

Most accessories install much more easily before fitting the fireplace to the opening.

For example, it takes just 10-15 minutes to install the blower through the back of the unit. Once the fireplace is framed in, it takes up to an hour.

TrueFlame Technology

This fireplace is equipped with TrueFlame Technology for maximum flames and ember glow with minimum emissions. The system includes independently controlled front and rear burners set into a large ember bed plus a ceramic catalyst and externally adjustable baffle mounted at the top. Once adjusted by the dealer/technician at installation, the TrueFlame system requires no scheduled service.

CARTON CONTENTS AND HARDWARE

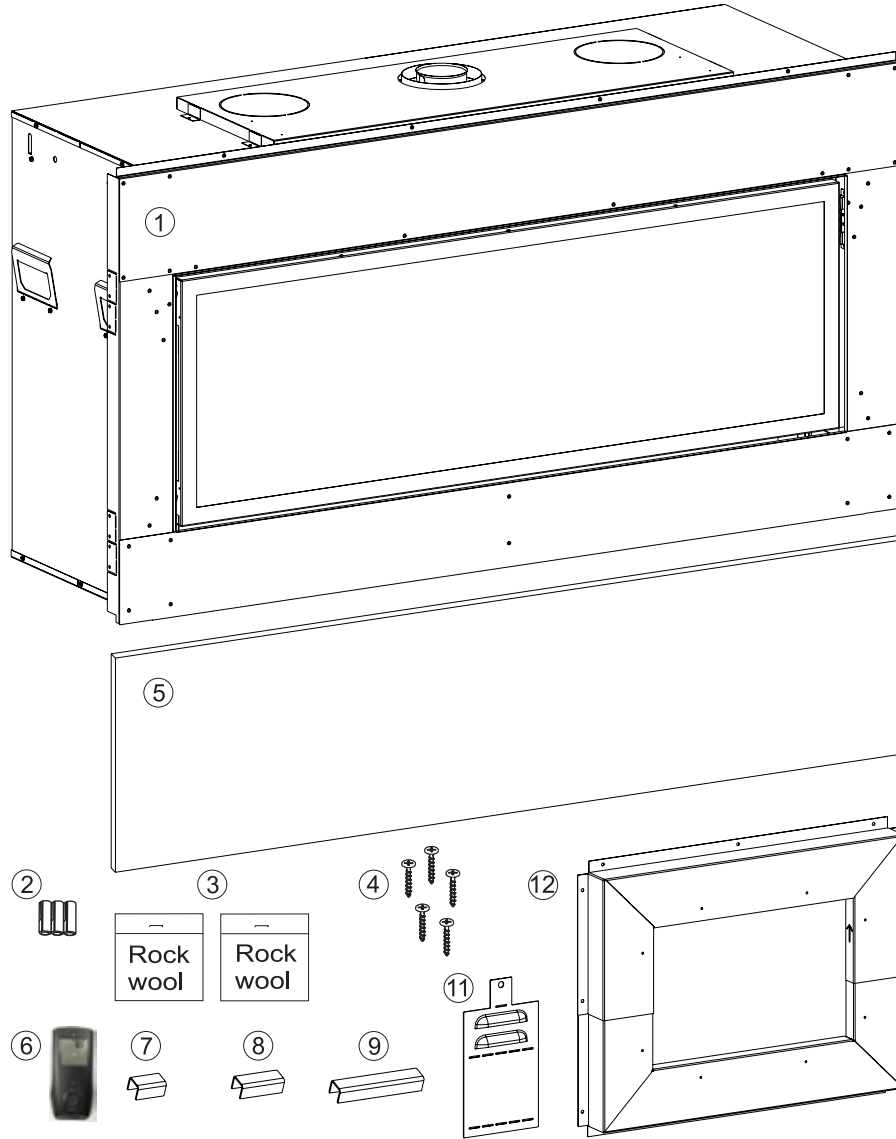


IMAGE NOT
TO SCALE

CARTON CONTENTS		
Index Number	Description	Quantity Supplied
1	Unit	1
2	AA Batteries	3
3	Rockwool	2
4	Drywall Screws	5
5	Non-Combustible Board (On Pallet)	1
6	Remote	1
7	Support, Rockwool 2 X 1	1
8	Support, Rockwool 3 X 1	2
9	Support, Rockwool 6 X 1	6
10	Ember Bed (Not Shown)	1
11	High Wind Shield	1
12	Combustible Standoff	1

See Parts Lists on page 43 for ordering replacement parts. Do not order batteries, bolts, screws, washers or nuts. They are standard hardware items and can be purchased at your local hardware store.

SPECIFICATIONS

MODEL NUMBER	DVCTL60
Input BTU/Hr Maximum (w/both burners on)	58,000
Input BTU/Hr Minumum (w/both burners on)	38,000
Input BTU/Hr Minumum (front burner on only)	14,500
KWH (Maximum)	17
KWH (Minimum)	11.14/4.25
Orifice - Front	#43
Orifice - Rear	3.1 mm
Air Shutter Opeining Front	Fully Closed
Air Shutter Opeining Rear	Fully Closed
Height (inches)	39-3/8"
Width (inches)	74-5/8"
Depth (inches)	23-5/8"
Gas Inlet Shut-Off Valve (pipe)	1/2 NPT

NOTE: Air shutter is at factory-minimum settings. Some vent configurations may require minor air shutter adjustments for optimum performance.

GAS SUPPLY PRESSURES (INCHES WATER COLUMN)			
Gas Type	Maximum	Minimum	Manifold
Natural	14	4.5	3.5
Propane	14	10.8	10

VENTING	LIGHT BULB REPLACEMENT
4 x 6-5/8" Power Vent System	35w Clear Halogen, Bi-Pin 6.35mm base, 120vac, UL

ACCESSORIES

The following accessory parts can be obtained from your Empire Comfort Systems dealer. For additional information beyond what your dealer can furnish, contact Empire Comfort Systems Inc., 918 Freeburg Ave., Belleville, Illinois 62220-2623.

ACCESSORIES	
Model Number	Description
DVP60PRFB	Liner, Red Fire Brick, Ceramic Fiber
DVP60PGFB	Liner, gray Fire Brick, Ceramic Fiber
DVP60TLKR	Liner, Black Reflective Glass
FBB21	Blower, Remote, Variable-Speed - Twin
DF60T2LBLX	Beveled Window Frame, Textured Black
DF60T2LBZT	Beveled Window Frame, Oil-Rubbed Bronze
DF60T2LBNB	Beveled Window Frame, Brushed Nickel
DFF60TLBL	Decorative Forged Front, Forged Iron Frame, Black
DFF60TLBZT	Decorative Front, Forged Iron Frame, Oil-Rubbed Bronze
DFF60TLHP	Decorative Front, Forged Iron Frame, Hammered Pewter

CONVERSION KIT	
Model Number	Description
43772	LP Conversion Kit (Natural to Propane)

LOG SETS	
Model Number	Description
LS60LTF	Log Set, Traditional Charred
LS60LBF	Log Set, Birch

TERMINATION KIT	
Model Number	Description
HMFA	External Heat Management Forced Air
DVKPMP	Horizontal Plaza Power Vent
DVKCVP	Vertical Conversion Vent Kit

FIREPLACE DIMENSIONS

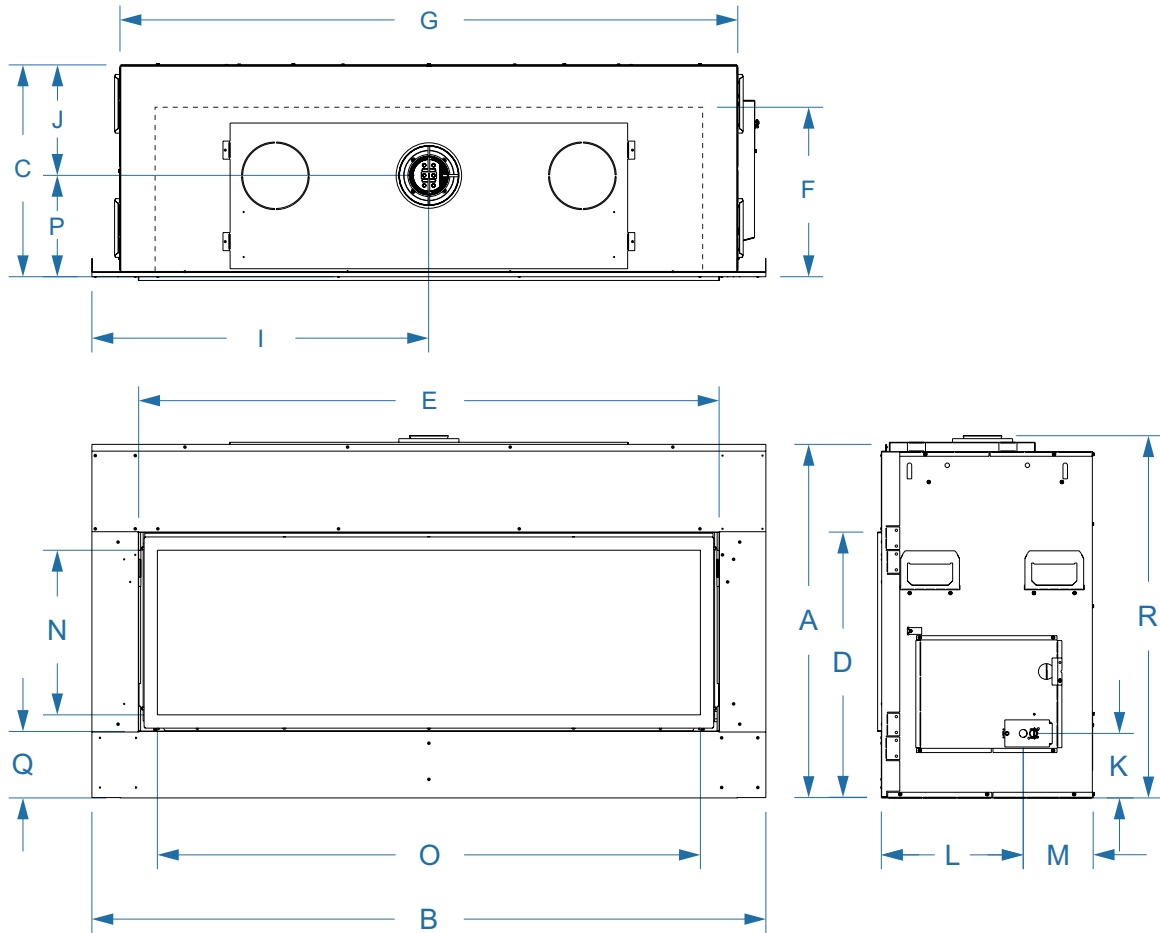


Figure 1

INDEX LETTER	DIMENSION DESCRIPTION	DIMENSIONS (IN INCHES)
		DVCTL60
A	The maximum height of fireplace face	38-3/8
B	The maximum width of the fireplace face	74-5/8
C	The maximum depth of the fireplace	23-5/8
D	The height of the fireplace opening	29-3/8
E	The width of the fireplace opening	64-1/4
F	The interior depth of the fireplace	18-1/4
G	The rear exterior width of the fireplace	68-3/8
H	The height of the fireplace standoffs	N/A
I	Width from the left side to the centerline of vent	37-5/16
J	Depth from back to centerline of top vent	12-3/8
K	Height from the bottom to the gas line opening	14
L	Depth from the front to gas line opening	18-1/4
M	Depth from rear to gas line opening	5-5/16
N	Glass height	18-1/4
O	Glass width	60-1/8
P	Depth from front to centerline of vent	11-1/4
Q	Distance from floor to fireplace opening	7-3/8
R	Height from floor to vent collar	40-1/8

LOCATING FIREPLACE

NOTICE: When installing this appliance against an exterior wall, insulate to applicable insulation codes.

NOTICE: Island and Room Divider installation is possible as long as the horizontal portion of the vent system does not exceed 18 feet with a minimum vertical run of 8 feet. See details in Venting Section.

When you install your Direct Vent Fireplace in room divider or flat on wall corner positions, maintain a minimum of 6 inches between the perpendicular wall and the opening of the appliance.

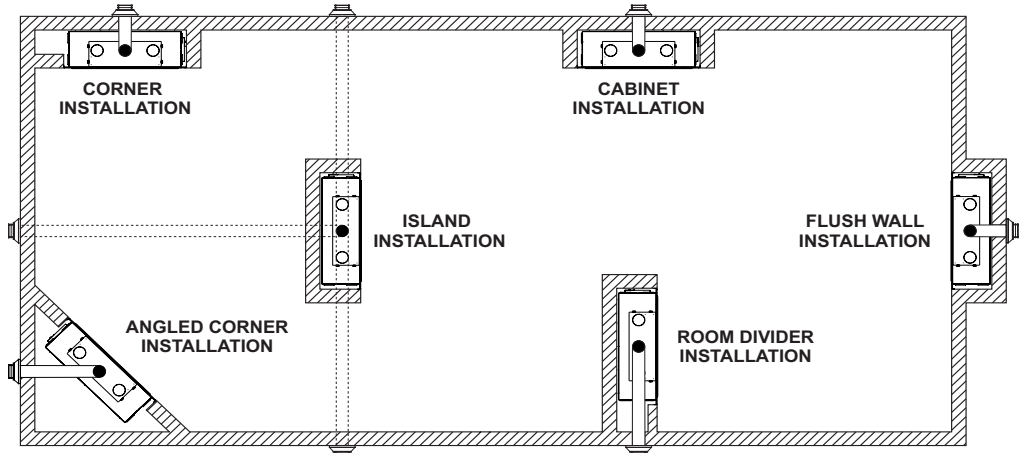


Figure 2

ELECTRICAL CONSIDERATIONS

⚠ CAUTION

All wiring should be done by a qualified electrician and shall be in compliance with all local, city and state building codes. Before making the electrical connection, make sure that the main power supply is disconnected. The appliance, when installed, must be electrically grounded in accordance with local codes, or in the absence of local codes, with the National Electrical Code ANSI/NFPA 70 (Latest Edition).

Junction Box

A factory-installed junction box is located on the lower right side of the fireplace. Wiring must be fed to the junction box and attached with wire nuts to the control module power leads already fed into the junction box.

Attach black to two black, white to white and power vent. The ground wire should be attached to the ground on the junction box and power vent. **See Figure 3.**

Extend red wire from unit to power vent.

NOTICE: If an auxiliary device is to be used, its wiring may be fed through the junction box strain relief. Auxiliary device amperage limit is 5 amps.

NOTICE: A one inch diameter hole should be use to pass wiring through studs.

JUNCTION BOX CONNECTIONS

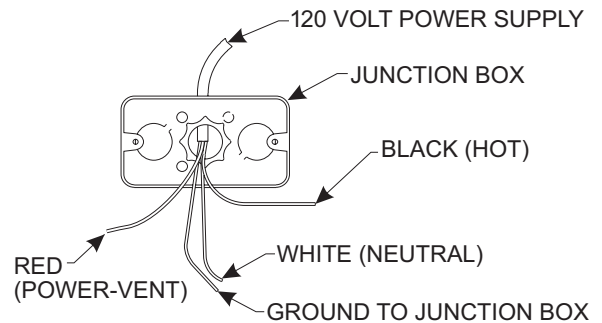


Figure 3

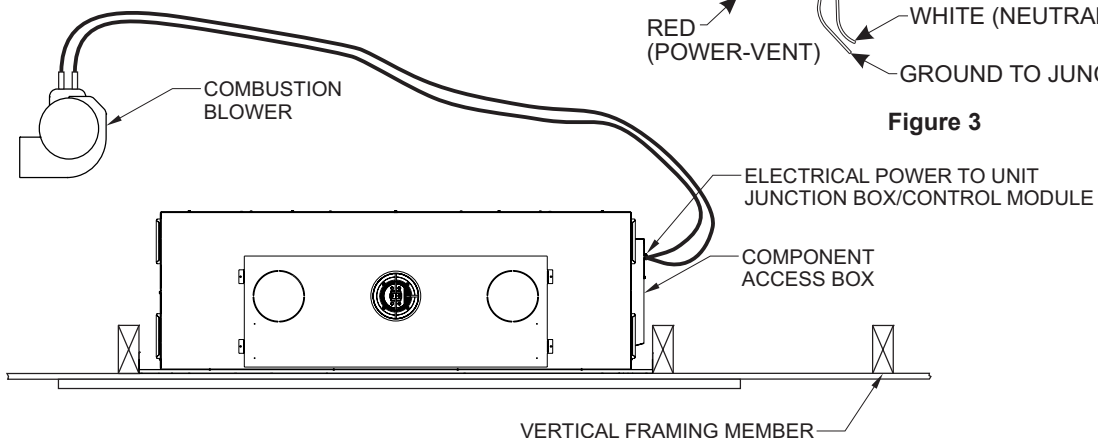


Figure 4

BLOWER INSTALLATION

⚠ CAUTION

Sharp edges. Use protective gloves when installing.

Bench Installation

1. Remove Blower Access Panels. See Figure 5.

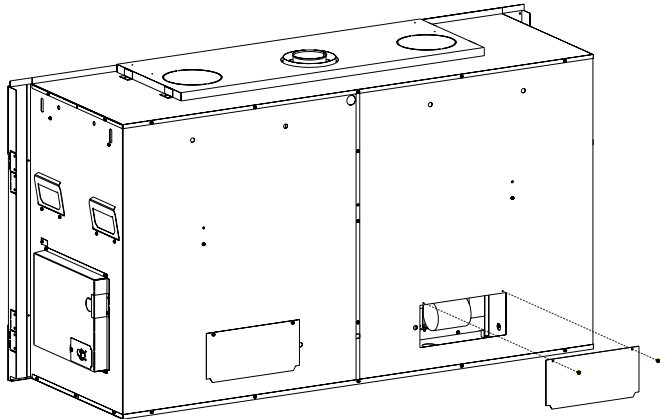


Figure 5

2. Place Blowers onto blower brackets. See Figure 6.

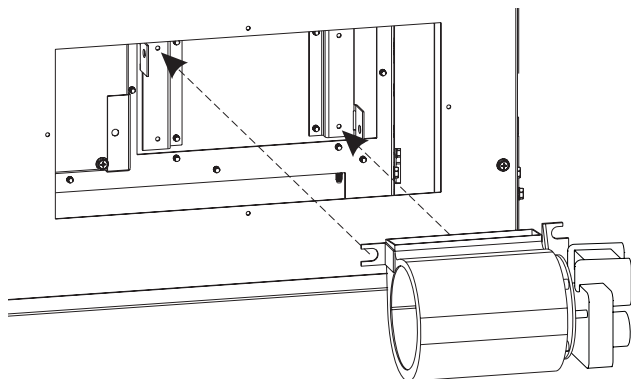


Figure 6

3. Bend tab as shown in Figure 7 and secure with (2) screws.

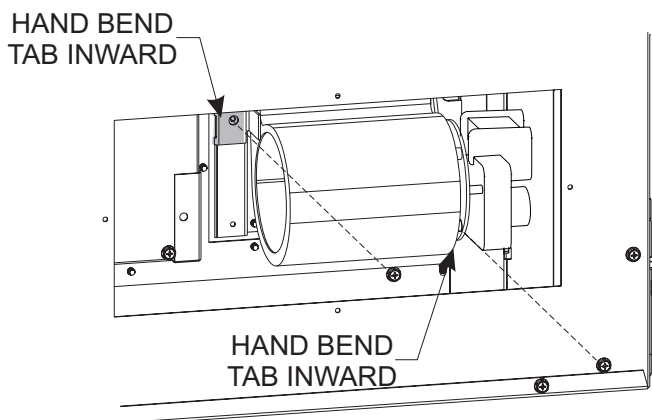
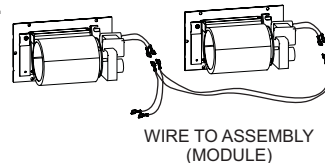
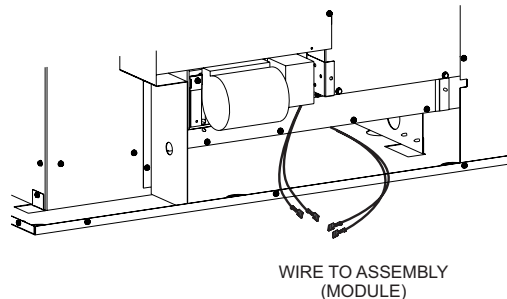


Figure 7

4. Remove protective connectors on Wire Assembly from fireplace and discard. Connect Wire Harness to both blowers and the other end to the Wire Assembly supplied with the fireplace. See Figure 8.



WIRE TO ASSEMBLY (MODULE)



WIRE TO ASSEMBLY (MODULE)

Figure 8

5. Replace Blower Access Panels removed in step 1. See Figure 5.

Installation After Placement Of Unit In Wall

1. Remove the following items. See Figure 9.
 - Screen Barrier (See Maintenance and Service section for instructions).
 - Glass Frame Assembly (See Maintenance and Service section for instructions).
 - Liners (See separate liner instruction document).

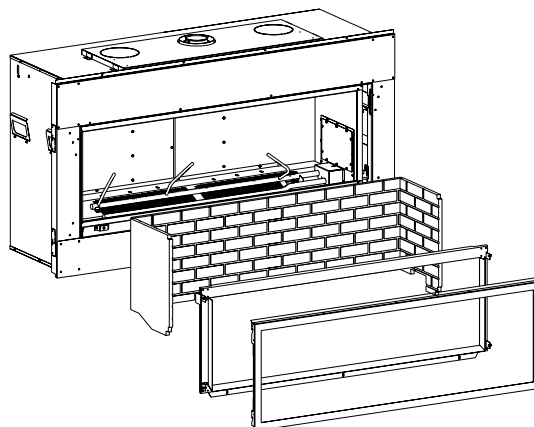


Figure 9

2. Remove front and rear burner. See Figure 10.

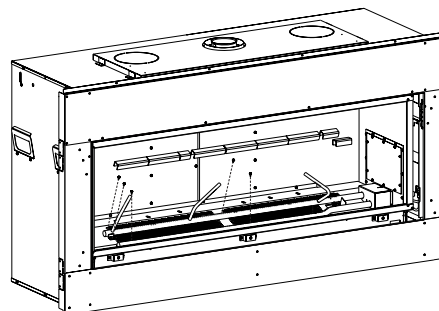


Figure 10

BLOWER INSTALLATION (CONT'D)

3. Remove burner base. See Figure 11.

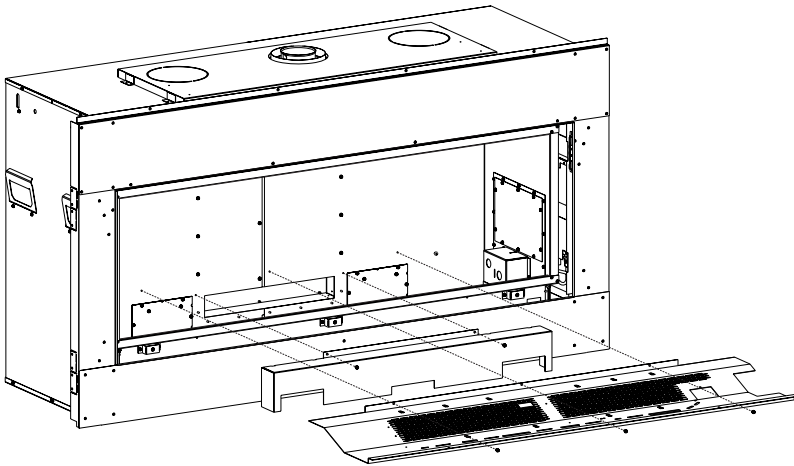


Figure 11

4. Remove Blower Brackets by taking out (6) screws each. See Figure 12.

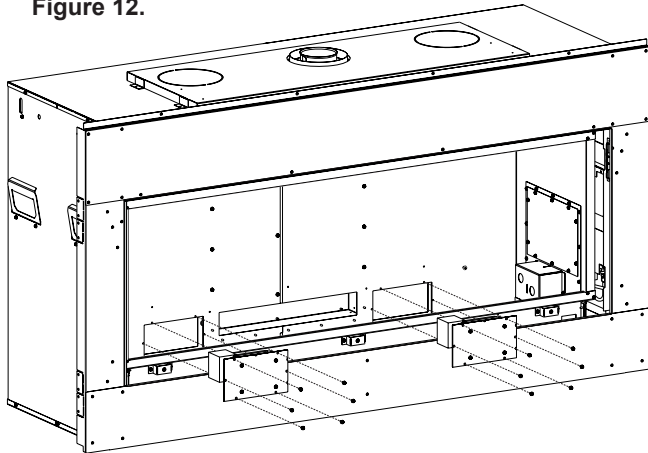


Figure 12

5. Place Blower onto Blower Brackets. See Figure 13.

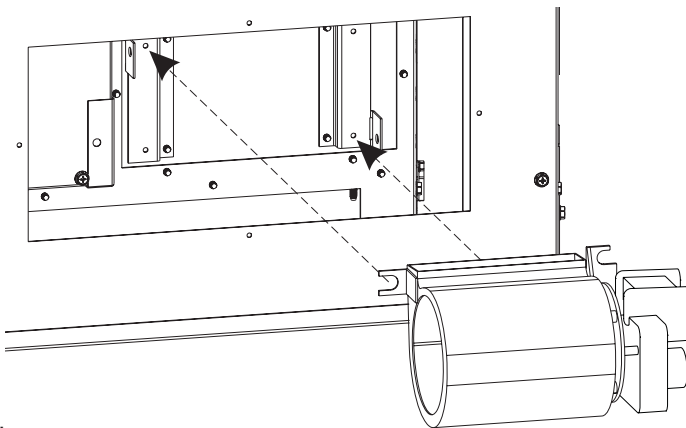


Figure 13

6. Bend tab as shown in Figure 14 and secure with (2) screws.

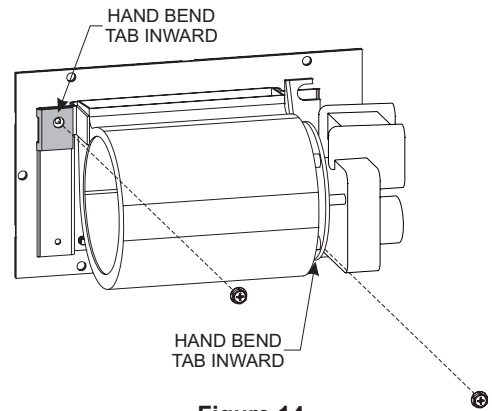


Figure 14

7. Remove protective connectors on Wire Assembly from fireplace and discard. Connect Wire Harness to both blowers and the other end to the Wire Assembly supplied with the fireplace. See Figure 15.

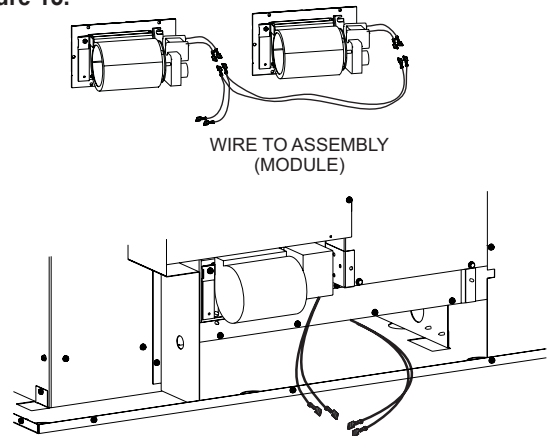


Figure 15

8. Replace Blower Bracket (w/ blowers attached) with (6) screws each. See Figure 16.

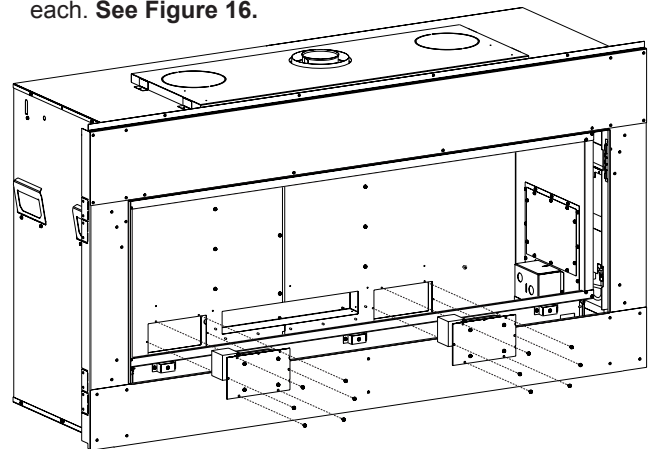


Figure 16

9. Replace Glass Frame, Screen Barrier, and liners removed in Step 1, Figure 9.

CLEARANCES

CLEARANCE TO COMBUSTIBLES DIMENSIONS (In Inches)	
Back	0
Side	3
Floor	0
Top of Unit	36

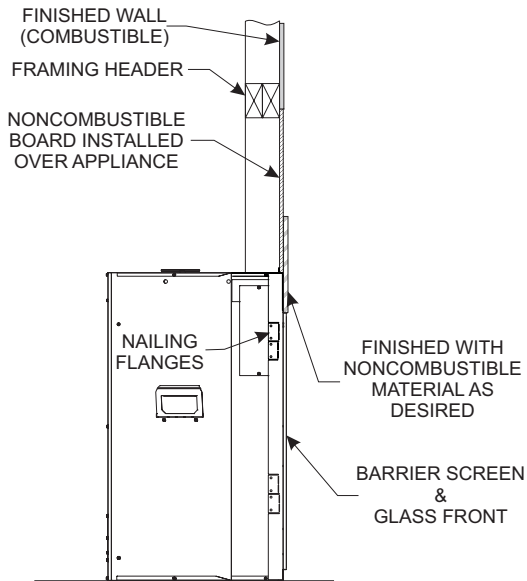


Figure 17

NOTICE: Use only non-combustible materials to finish the face of the fireplace.

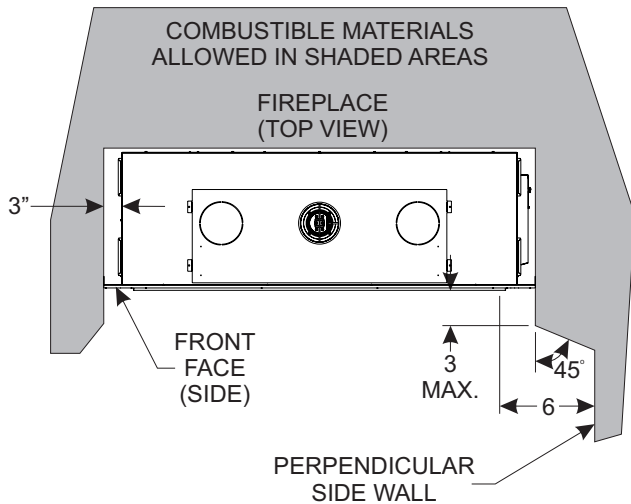
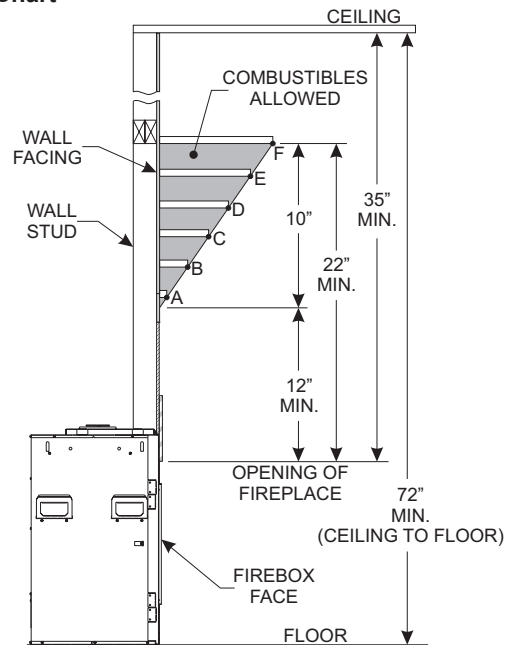


Figure 18

Mantel Chart



INDEX LETTER	DISTANCE FROM WALL FACING	DISTANCE FROM TOP OF OPENING
	Dimensions (In Inches)	
A	2	12
B	4	13-5/8
C	6	15-5/16
D	8	17
E	10	18-5/8
F	12	22

Figure 19

Clearances

Clearance from top opening of fireplace to ceiling is 35 inches.
Clearance from opening to adjacent sidewall is 6 inches.

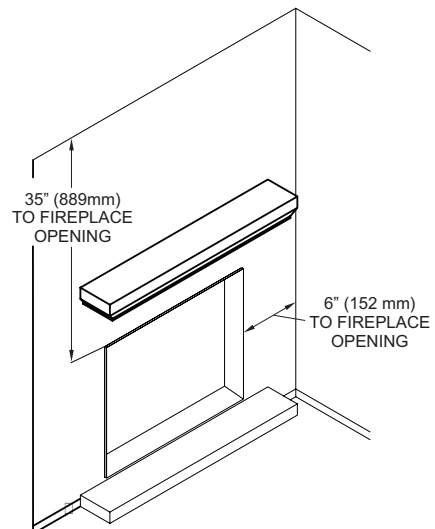


Figure 20

VENT TERMINATION CLEARANCES

TERMINATION CLEARANCE FOR BUILDINGS WITH COMBUSTIBLE AND NONCOMBUSTIBLE EXTERIORS.

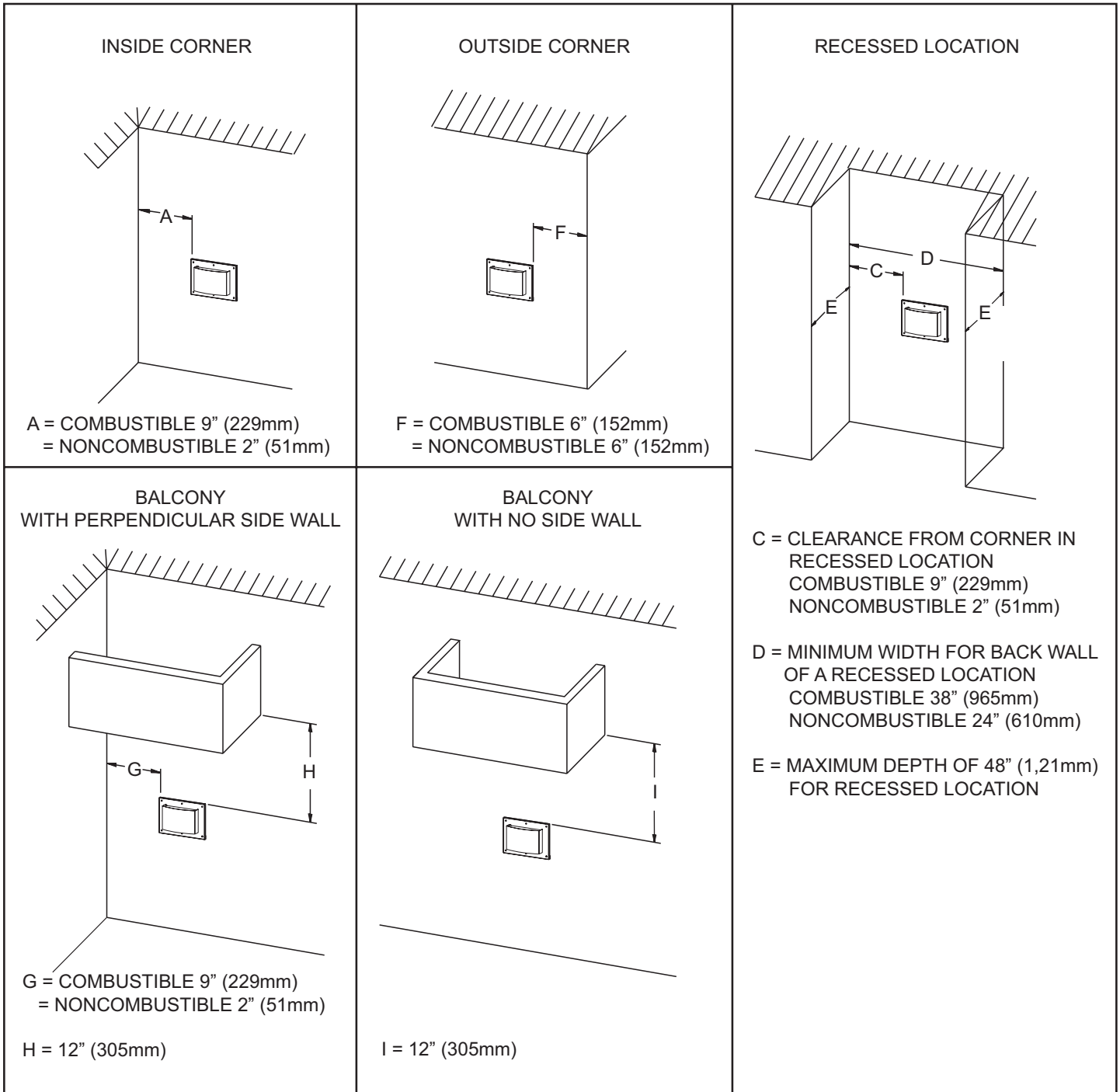
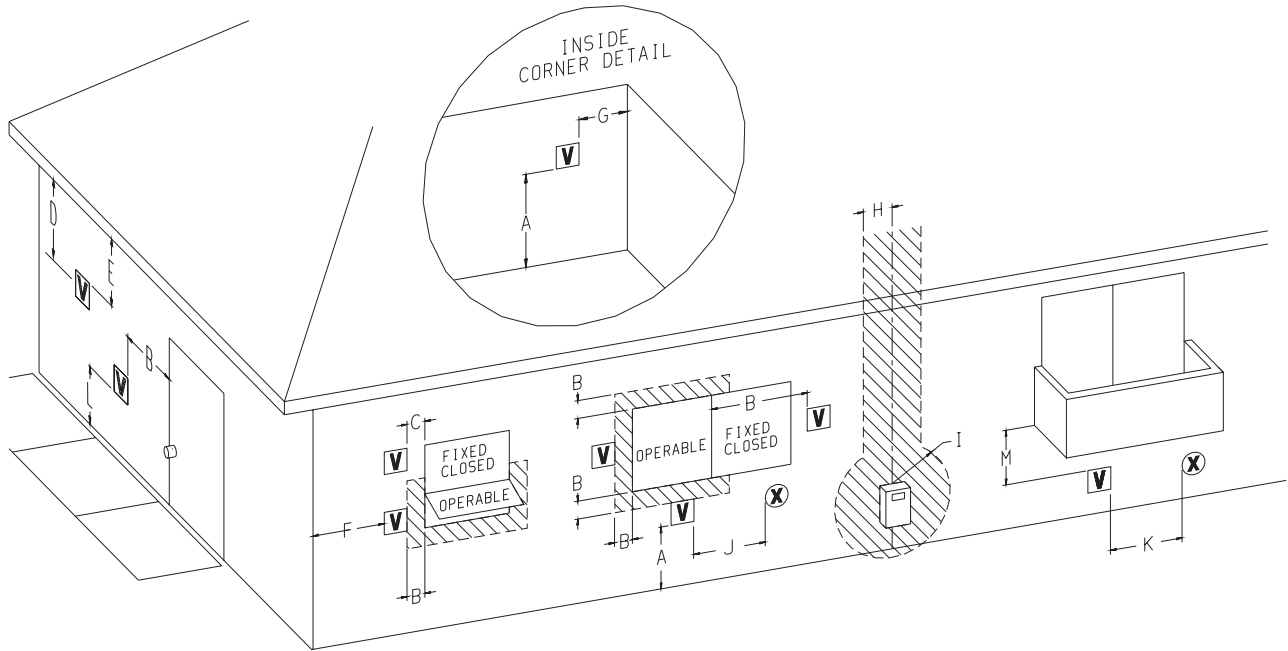


Figure 21

VENT TERMINATION CLEARANCES (CONT'D)



V VENT TERMINAL

X AIR SUPPLY INLET

AREA WHERE TERMINAL IS NOT PERMITTED

	Canadian Installations ¹	US Installations ²
A= Clearance above grade, veranda, porch, deck, or balcony	12 in (30 cm)	12 in (30cm)
B= Clearance to window or door that may be open	6 in (15 cm) for appliances ≤ 10,000 Btuh (3 kW), 12 in (30 cm) for appliances > 10,000 Btuh (3 kW) and ≤ 100,000 Btuh (30 kW), 36 in (91 cm) for appliances > 100,000 Btuh (30 kW)	6 in (15 cm) for appliances ≤ 10,000 Btuh (3 kW), 9 in (23 cm) for appliances > 10,000 Btuh (3 kW) and ≤ 50,000 Btuh (15 kW), 12 in (30 cm) for appliances > 50,000 Btuh (15 kW)
C= Clearance to permanently closed window	12 in (30 cm)	12 in (30 cm)
D= Vertical clearance ventilated soffit located above the terminal within a horizontal distance of 2 feet (61 cm) from the center line of the terminal	24 in (61 cm)	24 in (61 cm)
E= Clearance to unventilated soffit	12 in (30 cm)	12 in (30 cm)
F= Clearance to outside corner	6 in (15 cm)	6 in (15 cm)
G= Clearance inside corner	9 in (23 cm)	9 in (23 cm)
H= Clearance to each side of center line extended above meter/regulator assembly	3 ft (91 cm) within a height 15 ft (4.5 m) above the meter/regulator assembly	3 ft (91 cm)

	Canadian Installations ¹	US Installations ²
I= Clearance to service regulator vent outlet	3 ft (91 cm)	6 ft
J= Clearance to non-mechanical air supply inlet to building or the combustion air inlet to any other appliance	6 in (15 cm) for appliances ≤ 10,000 Btuh (3 kW), 12 in (30 cm) for appliances > 10,000 Btuh (3 kW) and ≤ 100,000 Btuh (30 kW), 36 in (91 cm) for appliances > 100,000 Btuh (30 kW)	6 in (15 cm) for appliances ≤ 10,000 Btuh (3 kW), 9 in (23 cm) for appliances > 10,000 Btuh (3 kW) and ≤ 50,000 Btuh (15 kW), 12 in (30 cm) for appliances > 50,000 Btuh (15 kW)
K= Clearance to a mechanical air supply inlet	6 ft (1.83 m)	3 ft (91 cm) above if within 10 ft (3 m) horizontally
L= Clearance above paved sidewalk or paved driveway located on public property	7 ft (2.13 m) †	7 ft (2.13 m) †
M= Clearance under veranda, porch deck, or balcony	12 in (30 cm) ‡	12 in (30 cm) ‡
1	In accordance with the current CSA B149.1, Natural Gas and Propane Installation Code	
2	In accordance with the current ANSI Z223.1/NFPA 54, National Fuel Gas Code	
†	A vent shall not terminate directly above a sidewalk or paved driveway that is located between two single family dwellings and serves both dwellings	

ATTENTION: Vinyl Soffit, Vinyl Ceiling, Vinyl Overhang Disclaimer

Clearances are to heat resistant material (i.e. wood, metal). This does not include vinyl. Empire Comfort Systems Inc. will not be held responsible for heat damage caused from terminating under vinyl overhangs, vinyl ceilings or vinyl ventilated/unventilated soffits.

‡ Permitted only if veranda, porch, deck, or balcony is fully open on a minimum of two sides beneath the floor.
 * For clearances not specified in ANSI Z223.1/NFPA 54 or CSA B149.1, one of the following shall be indicated:

Clearance in accordance with local installation codes and the requirements of the gas supplier.

GAS SUPPLY

The gas pipeline can be brought in through the right side of the fireplace. The fireplace has a Flexline with shut-off valve located on the right side when facing the fireplace. **See Figures 22 and 23.** Consult the current National Fuel Gas Code, ANSI Z223.1 CAN/CGA-B149 (.1 or .2) installation code.

RECOMMENDED GAS PIPE DIAMETER				
Pipe Length (Dimensions in feet)	Schedule 40 Pipe Inside Diameter		Tubing, Type L Outside Diameter	
	Dimensions (In Inches)			
	Natural	Propane	Natural	Propane
0-10	1/2	3/8	1/2	3/8
11-40	1/2	1/2	5/8	1/2
41-100	1/2	1/2	3/4	1/2
101-150	3/4	1/2	7/8	3/4

CAUTION: Never use plastic pipe. Check to confirm whether your local codes allow copper or galvanized tubing.

NOTICE: Some municipalities have additional local codes. Consult your local authority and installation code.

The use of the following gas connectors is recommended:

- ANSI Z21.24 Fireplace Connectors of Corrugated Metal Tubing and Fittings.
- ANSI Z21.45 Assembled Flexible Fireplace Connectors of Other Than All-Metal Construction

The above connectors may be used if acceptable by the authority having jurisdiction. The Commonwealth of Massachusetts requires that a flexible fireplace connector cannot exceed three feet in length.

FLEXIBLE GAS LINE CONNECTION

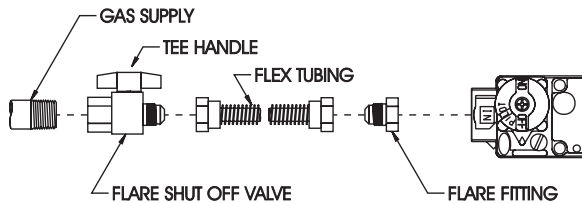


Figure 22

Installing The Main Gas Shut-Off

Each fireplace should have its own manual gas shut-off. A manual main gas shut-off should be located in the vicinity of the fireplace and can be easily accessed. Where none exists, or where its size or location is not adequate, contact your local authorized installer for installation or relocation.

Compounds used on threaded joints of gas piping shall be resistant to the action of liquefied petroleum gases. The gas lines must be checked for leaks by the installer. Testing for leaks on all exposed connections should be done with leak test solution or a soap solution. After testing is complete, all solution should be cleaned off. On unexposed connections, a pressure test should be made.

⚠ WARNING

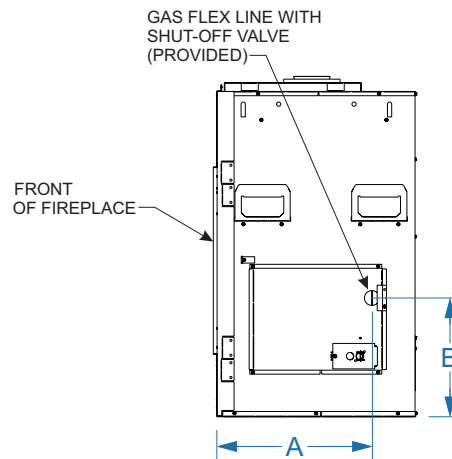
Never use an exposed flame to check for leaks. Fireplace must be disconnected from piping at inlet of control valve and pipe capped or plugged for pressure test. Never pressure test with fireplace connected; control valve will sustain damage.

NOTICE: The gas controls are equipped with a captured screw-type pressure test point. It is not necessary to provide a 1/8-inch test point up stream of the control.

When using copper or flex connector use only approved fittings. The fireplace and its individual shut-off valve must be disconnected from supply piping system during any pressure testing of that system at test pressures in excess of 1/2 psig (3.5kPa). The fireplace must be isolated from the gas supply piping system by closing its individual manual shut-off valve during any pressure testing of the gas supply piping system at test pressures equal to or less than 1/2 psig (3.5kPa).

⚠ WARNING

If one of the procedures results in pressures in excess of 1/2 psig (14 inches w.c.) (3.5 kPa) on the fireplace gas valve, it will result in a hazardous condition.



DIMENSION	DVCTL60 - DIMENSIONS (In Inches)
A	18-1/4
B	14

Figure 23

A gas valve and ground joint union should be installed in the gas line upstream of the gas control to aid in servicing. The National Fuel Gas Code requires that a drip leg be installed near the gas inlet. **See Figure 24.** This should consist of a vertical length of pipe tee connected into the gas line that is capped on the bottom in which condensation and foreign particles may collect.

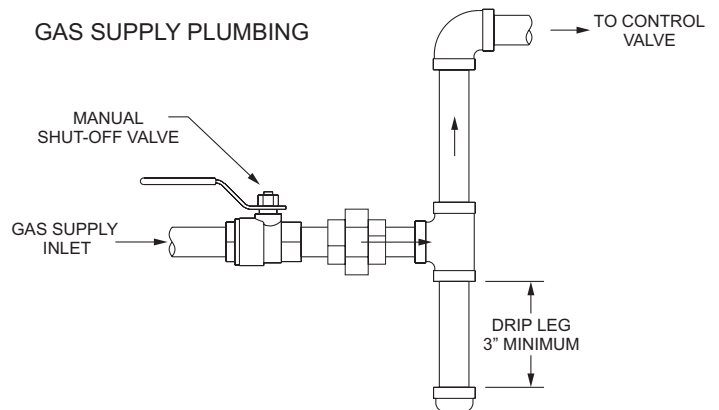


Figure 24

ACCESSING VALVE COMPARTMENT

Accessing Valve Compartment

1. Remove the following items: **See Figure 25.**
 - Barrier Screen (See Maintenance and Service section for Instructions).
 - Glass Frame Assembly (See Maintenance and Service section for Instructions).

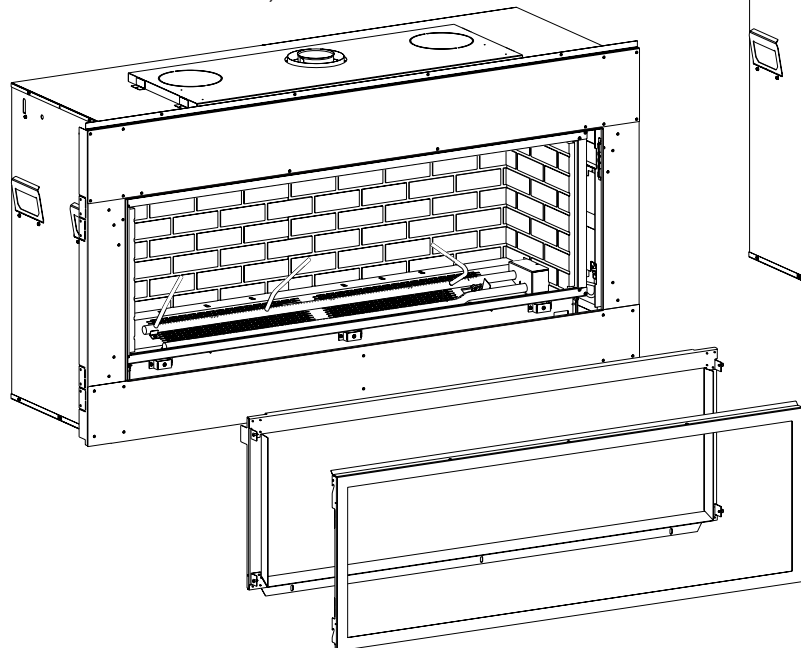


Figure 25

2. Remove the log set and set aside.
3. Remove right liner panel. **See Figure 26.**

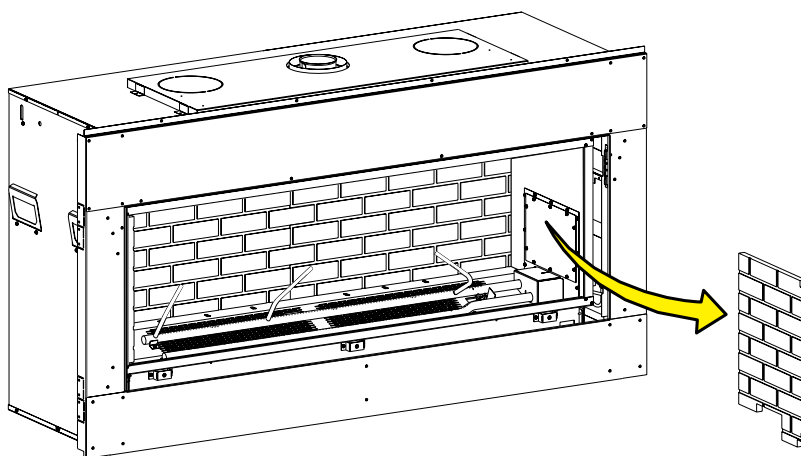


Figure 26

4. Remove Access Panel. **See Figure 27.**

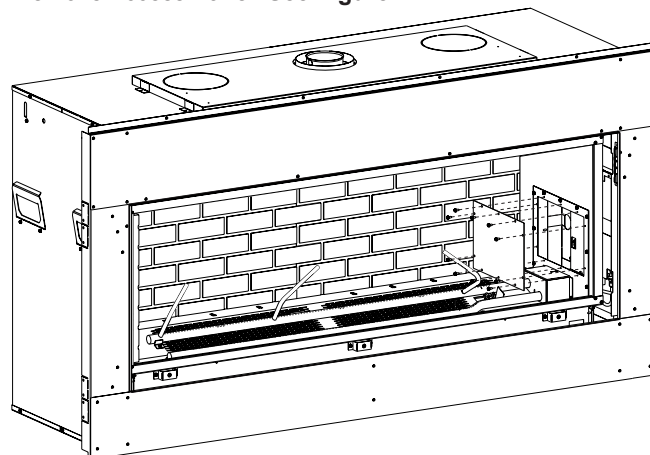


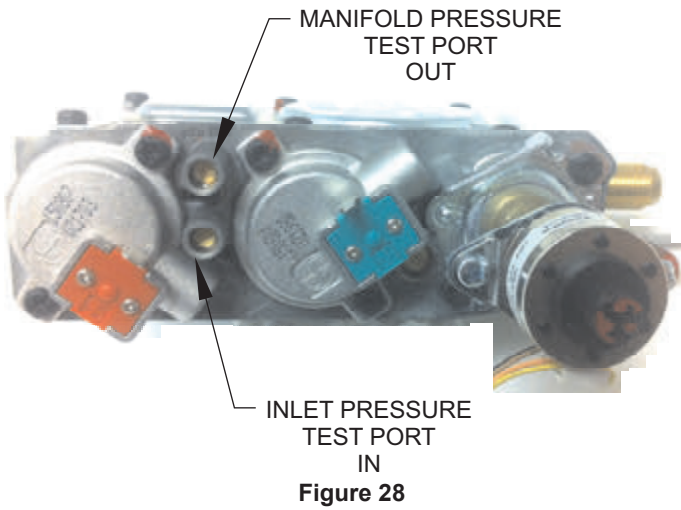
Figure 27

TESTING THE GAS SUPPLY PRESSURE

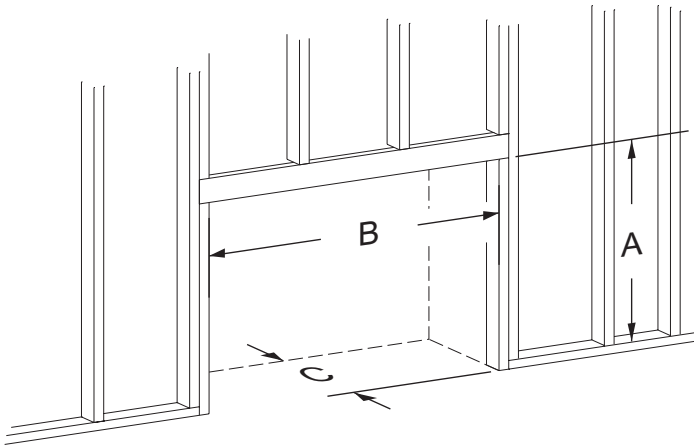
Natural Gas will have a manifold pressure of approximately 3.5 inches w.c. at the pressure regulator outlet with the inlet pressure to the pressure regulator from a minimum of 4.5 inches w.c. for the purpose of input adjustment to a maximum of 14 inches w.c.

Propane Gas will have a manifold pressure approximately 10.0 inches w.c. at the pressure regulator outlet with the inlet pressure to the pressure regulator from a minimum of 11.0 inches w.c. for the purpose of input adjustment to a maximum of 14.0 inches w.c.

GAS SUPPLY PRESSURES (INCHES WATER COLUMN)			
GAS TYPE	MAXIMUM	MINIMUM	MANIFOLD
Natural	14	4.5	3.5
Propane	14	11	10

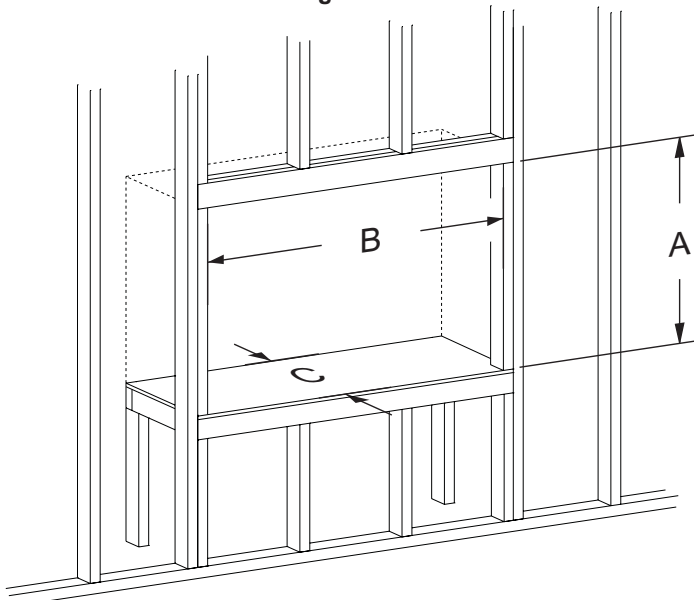


INSTALLATION



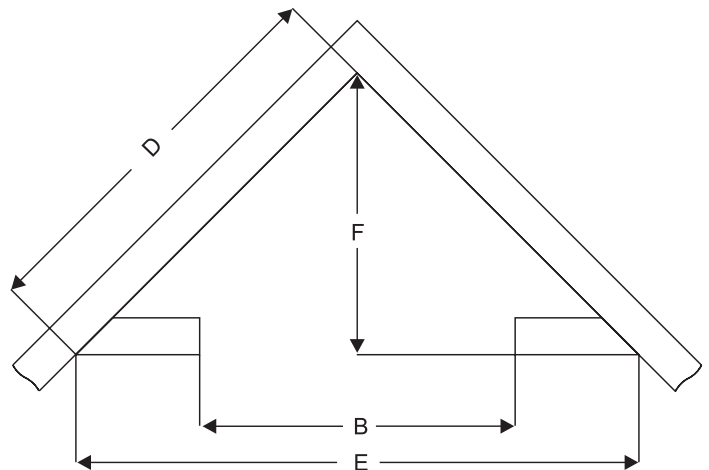
Rough Opening For Floor Level Installation

Figure 29



Rough Opening For Elevated Installation

Figure 30



Rough Opening For Installing In Corner

Figure 31

The fireplace can be mounted on any of the following surfaces:

1. A flat, hard combustible or non-combustible surface.
2. A raised wooden platform.
3. Four corner supports. (Example: Four concrete masonry blocks.) These supports must be positioned so they contact all four perimeter edges on the bottom of the fireplace, if allowed by local codes.

NOTICE: Verify the gas supply and electrical considerations before beginning the framing.

Framing Information

Fireplace framing can be built before or after the fireplace is set in place. Position framing to accommodate wall covering and fireplace facing material. Construct the fireplace framing with 2 x 4 lumber or heavier. Refer to the **INSTALLATION TABLE** below for minimum framing dimensions.

⚠ CAUTION

Before construction begins, measure fireplace dimensions and verify framing methods and wall covering details.

INSTALLATION TABLE - MINIMUM DIMENSIONS (In Inches)

Model	A	B	C	D	E	F
DVCTL60	59-7/8	75-1/8	23-1/2	85-5/16	115-1/2	57-3/4

INSTALLATION (CONT'D)

NAILING FLANGES

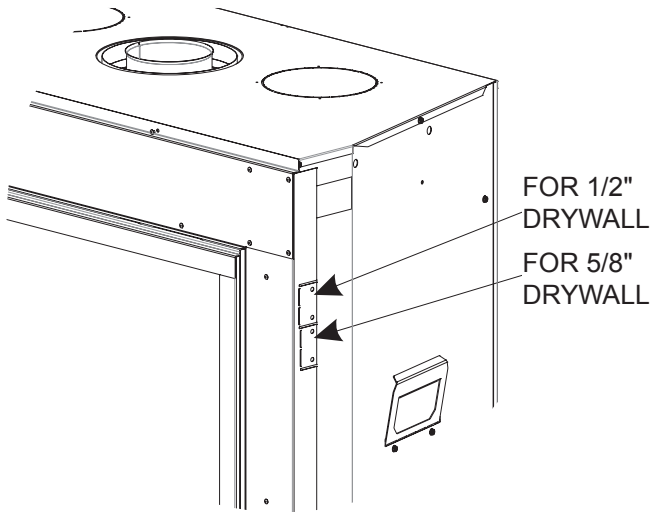


Figure 32

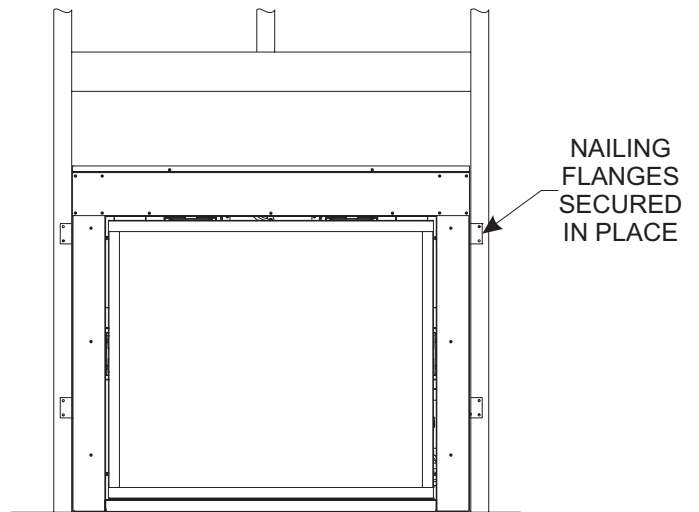


Figure 33

FLUSH WALL INSTALLATION

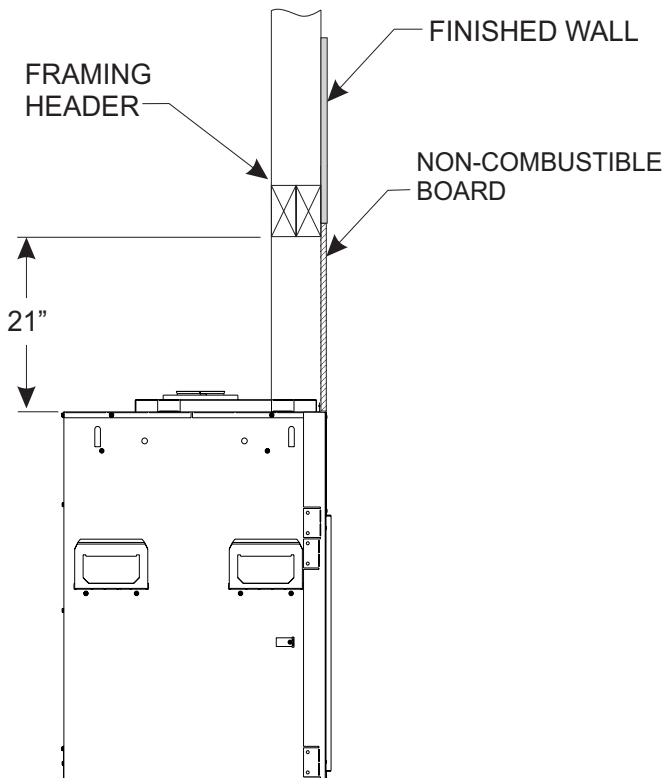


Figure 34

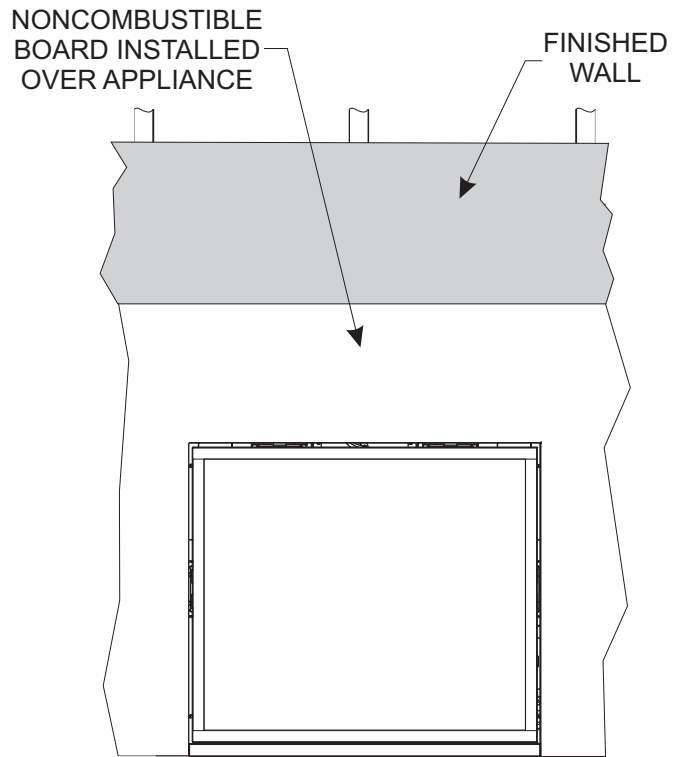


Figure 35

⚠ WARNING

When finishing the fireplace never obstruct or modify the gap around the glass frame in any manner. Provide adequate clearances around air openings into the combustion chamber.

⚠ CAUTION

If the joints between the finished wall and the fireplace surround (top and sides) are sealed, a 300°F minimum sealant material must be used. These joints are not required to be sealed. Only non-combustible material (using 300°F minimum adhesive if needed) can be applied as facing to the fireplace surround.

INSTALLATION (CONT'D)

Horizontal Vent Clearance

For horizontal vent, maintain 1 inch of clearance to the bottom and sides of vent, and 3 inches of clearance to combustibles above the vent pipe. See Figure 37.

Vertical Vent Clearance

For vertical vent, maintain a minimum 1 of inch clearance to combustibles.

NOTICE: Maintain 1 of inch of clearance to combustibles around vertical vent pipe. See Figure 36. For horizontal vent systems, maintain a minimum 1 inch of clearance from the bottom and sides of the vent to combustibles and a 3 inches of clearance above the vent pipe to combustibles. See Figures 36 and 37.

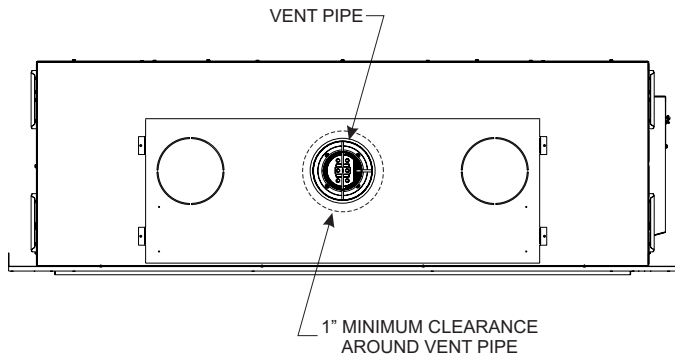


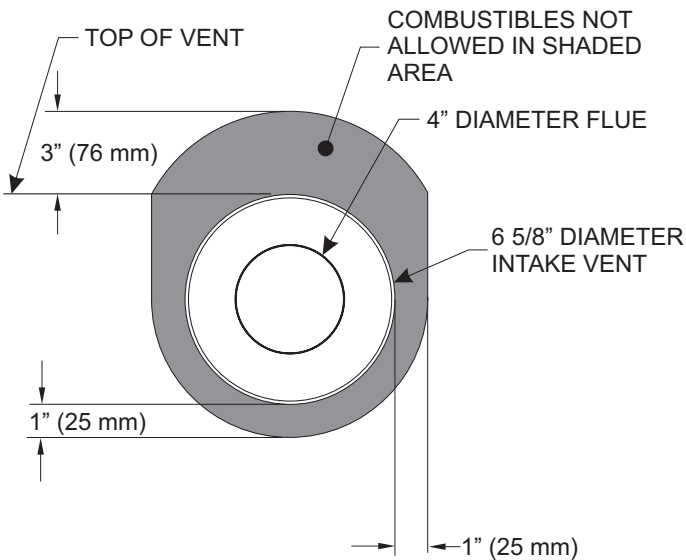
Figure 36

Vent Runs

In planning the installation, you must install certain components before the fireplace is secured in position. These include the direct-vent system, gas piping, and the electrical wiring.

The appliance can be mounted on any of the following surfaces:

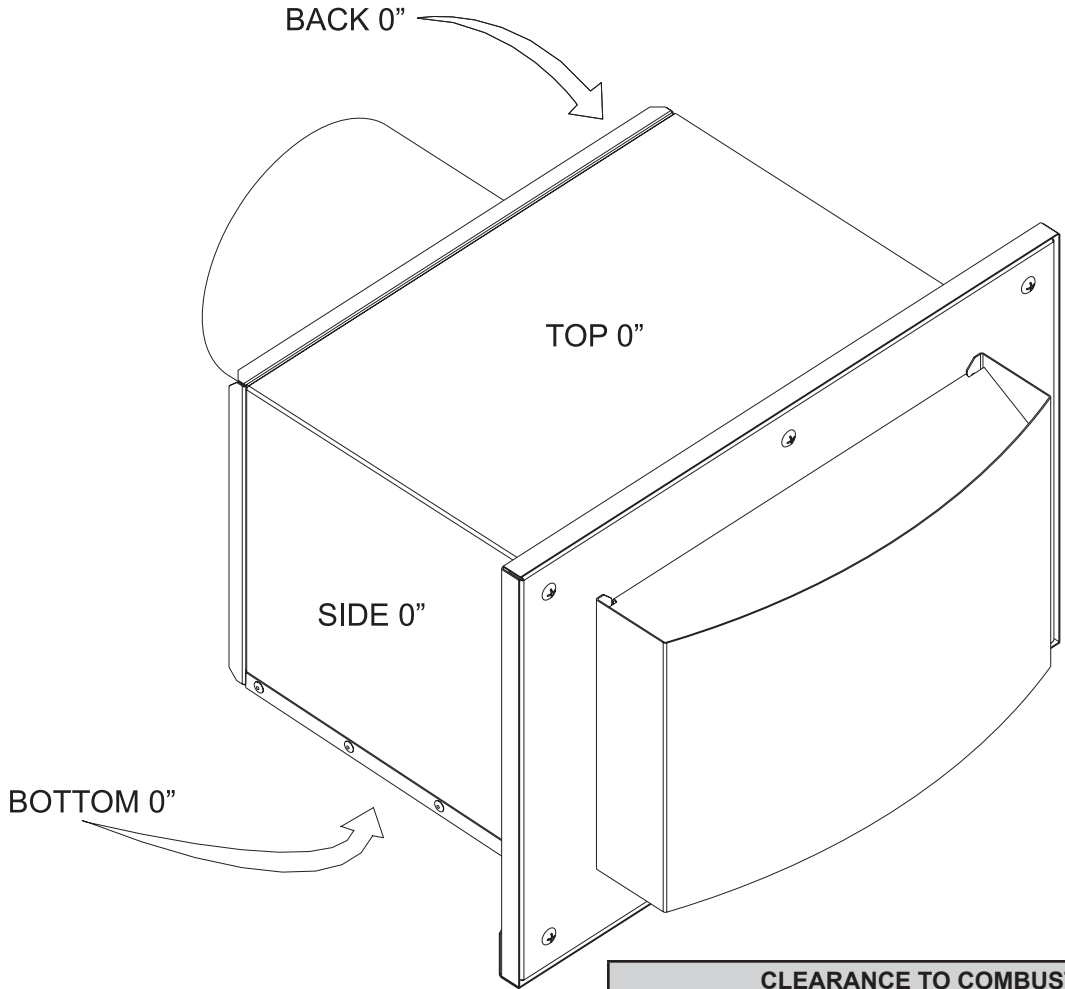
1. A flat, hard combustible or non-combustible surface.
2. A raised wooden platform.
3. Four corner supports (such as masonry blocks). These supports must be positioned so they contact all four perimeter edges on the bottom of the unit.



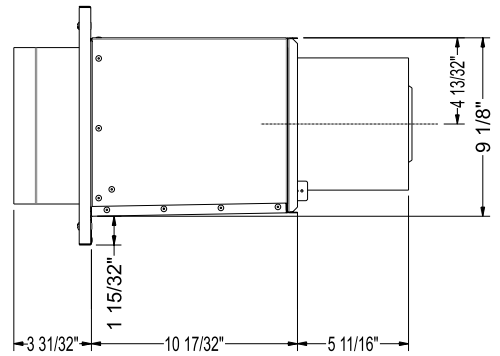
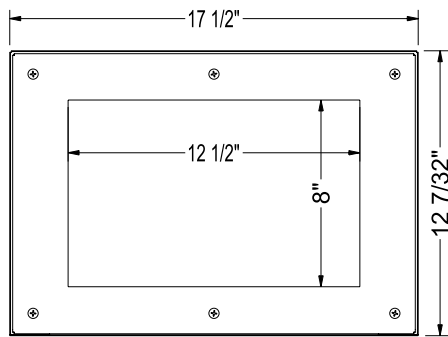
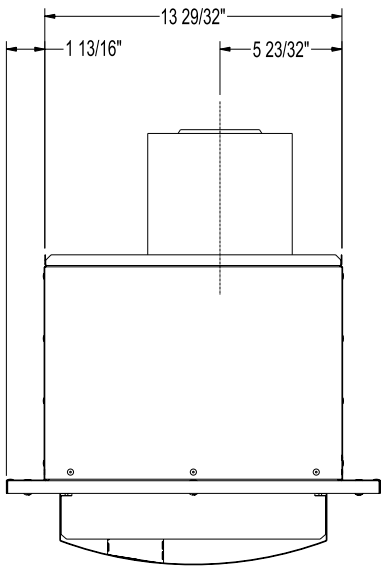
Horizontal Vent Clearances - Figure 37

ATTENTION: Cold climate installation recommendation: When installing this unit against an exterior wall, the exterior wall must be insulated to conform to applicable insulation codes. The fireplace outer wrapper is not considered a thermal barrier and can allow air infiltration. Care should be taken to properly seal the chase area so air infiltration is kept to a minimum and drafts do not occur through the fireplace.

POWER VENT



CLEARANCE TO COMBUSTIBLES
Back 0 inch
Sides 0 inch
Top/Bottom 0 inch



POWER VENT

ELECTRICAL CONNECTIONS ON FIREPLACE

⚠ CAUTION

All wiring should be done by a qualified electrician and shall be in compliance with all local, city and state building codes. Before making the electrical connection, make sure that the main power supply is disconnected. The fireplace, when installed, must be electrically grounded in accordance with local codes, or in the absence of local codes, with the National Electrical Code ANSI/NFPA 70 (Latest Edition).

Locate the factory installed electrical junction box located on the right side of the fireplace shown in **Figure 38**. Installer must supply a minimum 18-2 power cable to supply power from junction box to power-vent. See wiring diagram on page 16.

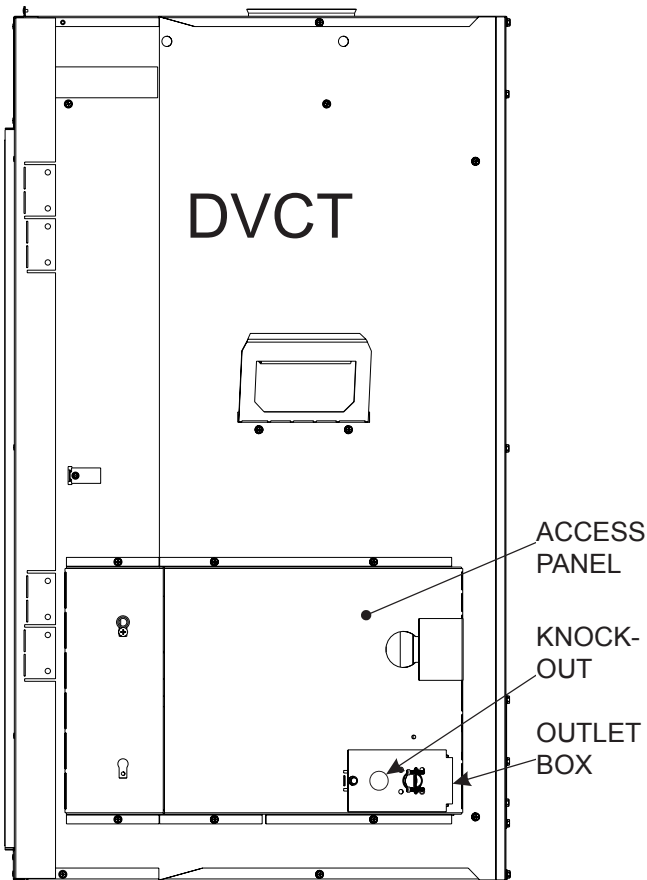


Figure 38

POWER VENT

VENT INFORMATION

Begin the vent system installation by identifying the path the vent will take from the fireplace to the power-vent. Verify clearances are met throughout the entire path of the venting system.

Determine how the vent system will be terminated, (vertically or horizontally). Verify clearances for the termination.

NOTICE: If terminated vertically, DVKCVP (Vertical Conversion Kit) is required.

NOTICE: This Power-Vent can only be used with DuraVent Direct Vent Pro® 4 X 6-5/8 inch piping.

NOTICE: All outer connection joints must be sealed with aluminum tape or silicone sealant rated above 300°F/149°C. The inner flue joints do not require any sealant.

THIS POWER VENT CAN BE ROUTED IN ANY PATH AS LONG AS IT MEETS THE FOLLOWING REQUIREMENTS:

- Maximum vertical distance above Fireplace floor=50 ft
- Maximum effective length = 50 ft (effective length calculations shown below in **Equation 1**).
- Minimum effective length = 10 ft for Natural and 15 ft for Propane
 - The fireplace damper door fully open for any run less than 25 ft.
- Maximum 6-90° elbows or 12-45° elbows
- Maximum 5 ft below the base of the fireplace
- Maximum drop of 12 ft from highest point in run.
- If vent pipe runs downward it cannot turn back upward.

1. Remove the rear panel and flue box of the Power-Vent by removing the six #10-24 X 3/8-inch screws shown in **Figure 39** below.

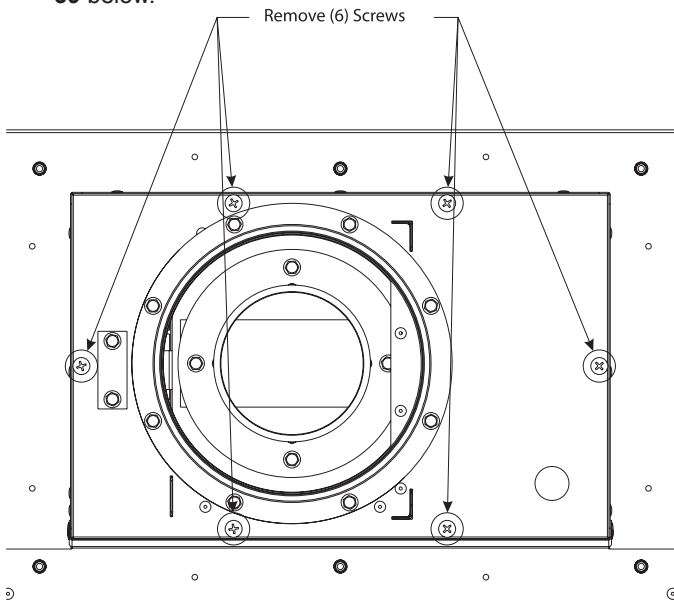


Figure 39

2. Insert a strain relief bushing through the 7/8 inch hole on the rear panel and insert minimum 18 gauge wiring (field supplied). **See Figure 40** below.

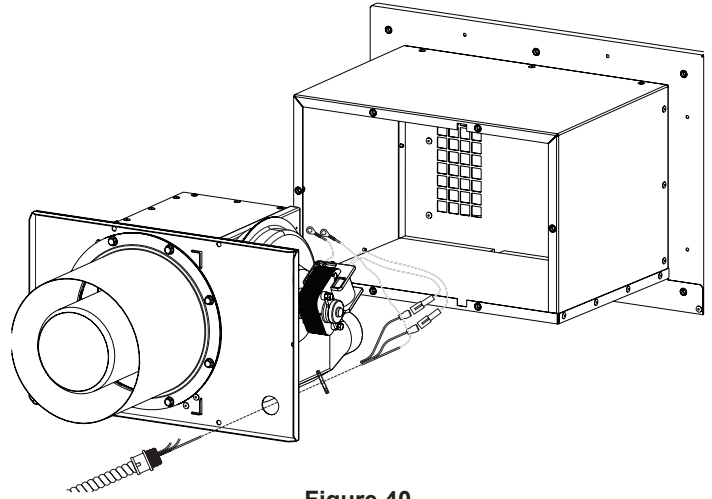


Figure 40

3. Attach #10 ring terminal to the ground wire. Remove the top #10 X 1/2 inch screw on the front of the flue box and attach the green/yellow wire from the inducer motor and the ground wire from the power supply with the screw as shown in **Figure 41** below.

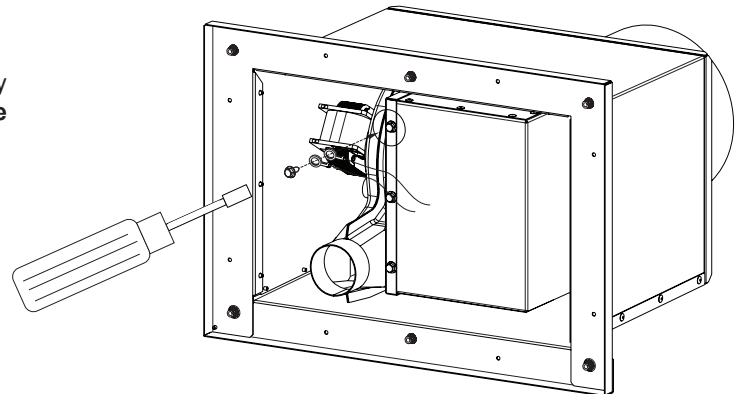


Figure 41

4. Re-attach the rear panel and flue box to the Power-Vent outer box with six #10 X 3/8 inch screws.

POWER VENT

EFFECTIVE LENGTH IS CALCULATED BY THE FOLLOWING EQUATION:

Equation 1

Effective length=Vertical Run Up + (2 × Vertical Run Down) + Horizontal Run + (3 × # of 90° elbows) +(1.5 × # of 45° elbows)

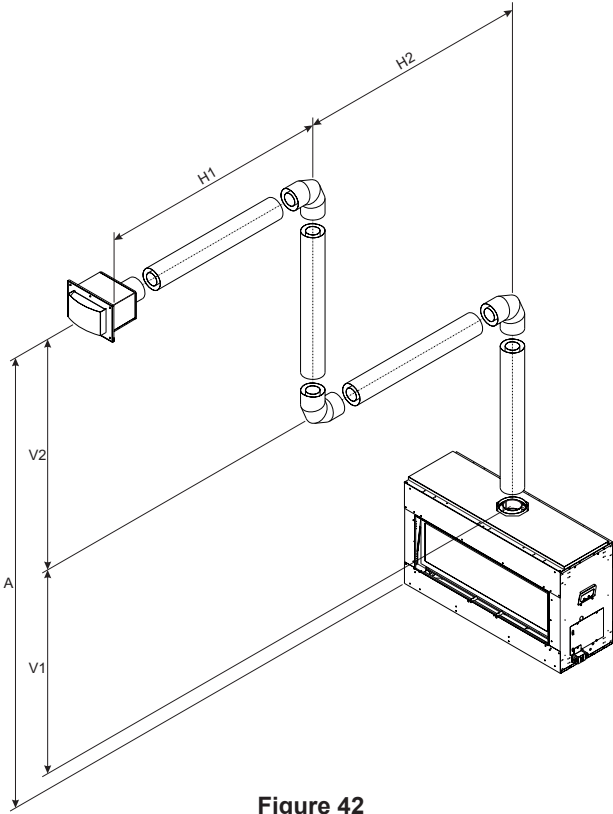


Figure 42

EXAMPLE 1						
Fireplace Height	V1	V2	H1	H2	Elbows	Total Effective Length
4 ft	5 ft	10 ft	5 ft	10 ft	3	43 ft

Vertical Run Up = (Fireplace Height + V1 + V2) = 4 ft. + 5 ft. + 10 ft. = 19 ft.

Vertical Run Down = 0 ft.

Horizontal Run = (H1 + H2) = (5 ft. + 10 ft.) = 15 ft.

Number of Elbows = 3

Effective Length = Vertical Run Up + (2 x Vertical Run Down) + Horizontal Run + (3 x # of 90° Elbows) + (1.5 x # of 45° Elbows)

Effective Length = 19 ft. + (2 x 0 ft.) + 15 ft. + (3 x 3 Elbows) + (1.5 x 0 Elbows)

Effective Length = 43 ft.

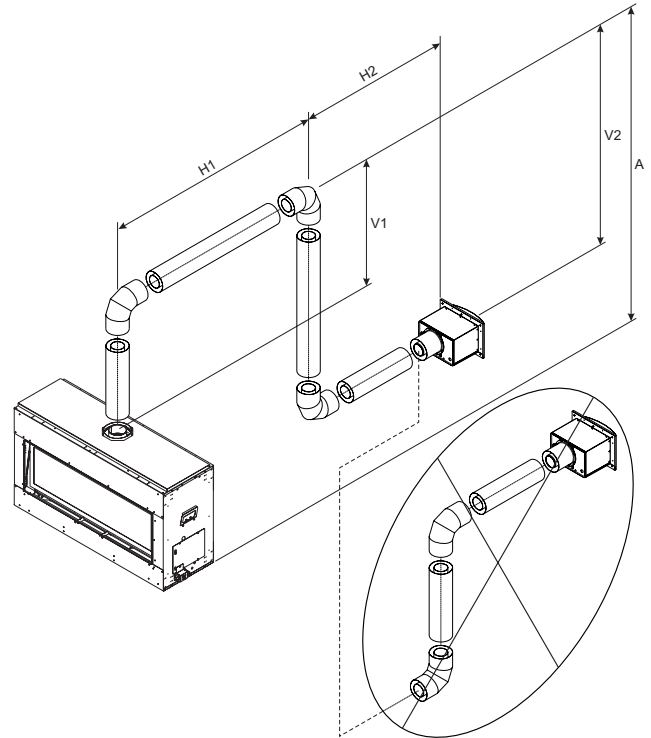


Figure 43

EXAMPLE 2						
Fireplace Height	V1	V2	H1	H2	Elbows	Total Effective Length
4 ft	5 ft	10 ft	10 ft	5 ft	3	53 ft

Vertical Run Up = (Fireplace Height + V1) = (4 ft. + 5 ft.) = 9 ft.

Vertical Run Down = 10 ft.

Horizontal Run = (H1 + H2) = (10 ft. + 5 ft.) = 15 ft.

Number of Elbows = 3

Effective Length = Vertical Run Up + (2 x Vertical Run Down) + Horizontal Run + (3 x # of 90° Elbows) + (1.5 x # of 45° Elbows)

Effective Length = 9 ft. + (2 x 10 ft.) + 15 ft. + (3 x 3 Elbows) + (1.5 x 0 Elbows)

Effective Length = 53 ft.

NOTICE: Once vent runs in downward direction it cannot turn back upward.

NOTICE: If this Power-Vent will be serviced from the rear side a minimum of 12 inches of vent pipe must be removable to gain clearance for removal of the rear panel. This can be achieved with an adjustable pipe that will collapse to clear the Power-Vent connector flange and then be removed. This can also be achieved by breaking the connection at the nearest elbow and removing that section of pipe.

Ensure the sidewall venting clearances are observed. If venting system is installed below ground, we recommend a window well with adequate and proper drainage to be installed around the termination area.

POWER VENT

MINIMUM EFFECTIVE LENGTH

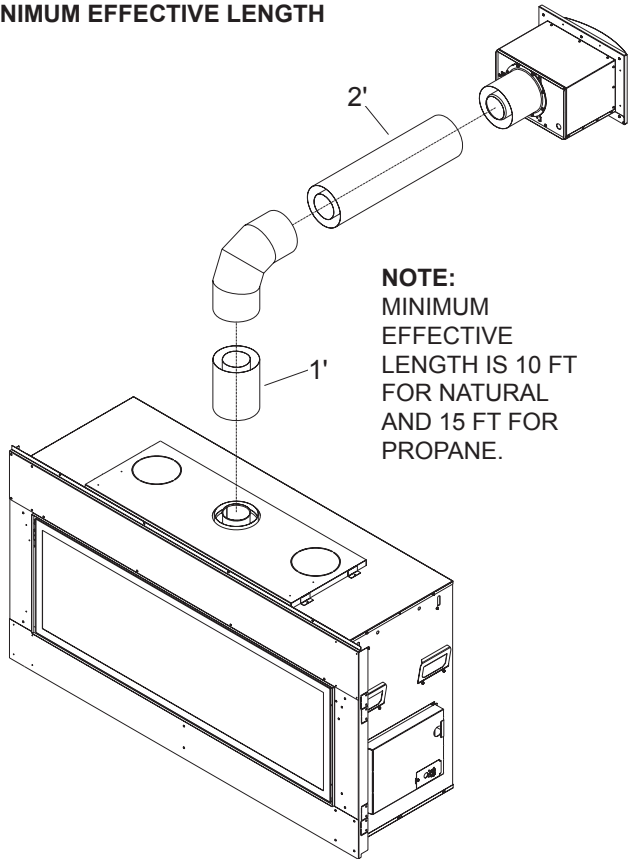


Figure 44

TYPICAL BASEMENT INSTALLATION

Installing Support Brackets

A horizontal pipe support **MUST BE** used for each 3 feet of horizontal run. The pipe supports should be placed around the pipe and nailed in place to framing members. There **MUST BE** a 3 inch clearance to combustibles above 6-5/8 inch diameter pipe and elbows and 1 inch clearance on both sides and bottom of 6-5/8 inch pipe to combustibles on all horizontal pipe sections and elbows.

Vertical runs of this vent systems must be supported every 4 feet above the appliance flue outlet by wall brackets attached to the 6-5/8 inch vent pipe and secured with nails or screws to structural framing members.

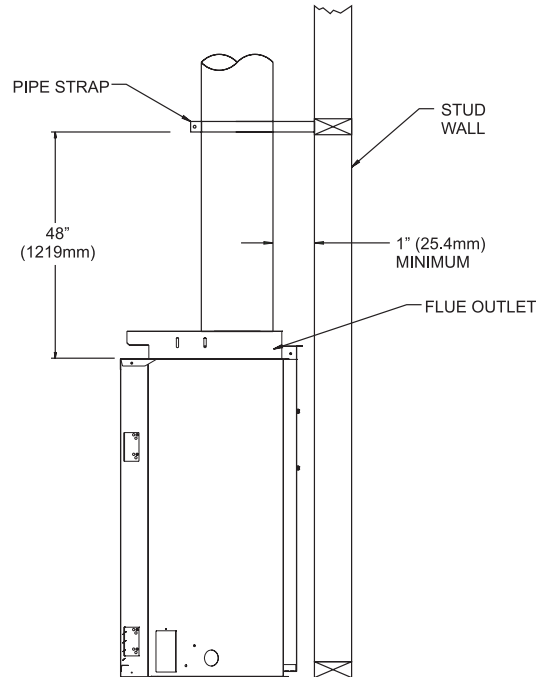


Figure 45

INSTALLING FIRESTOPS

Firestops are required for safety whenever the vent system passes through an interior wall, an exterior wall, or a ceiling. These firestops act as a firebreak heat shield and as a means to insure that minimum clearances are maintained to the vent system.

Horizontal runs in the vent system which pass through either interior or exterior walls, require the use of wall firestops on both sides of the wall through which the vent passes.

Position the firestops on both sides of the 10 x 11 inch hole, previously cut. Secure with nails or screws. The heat shields of the firestops **MUST BE** placed towards the top of the hole. Continue the vent run through the firestops. **See Figure 46.**

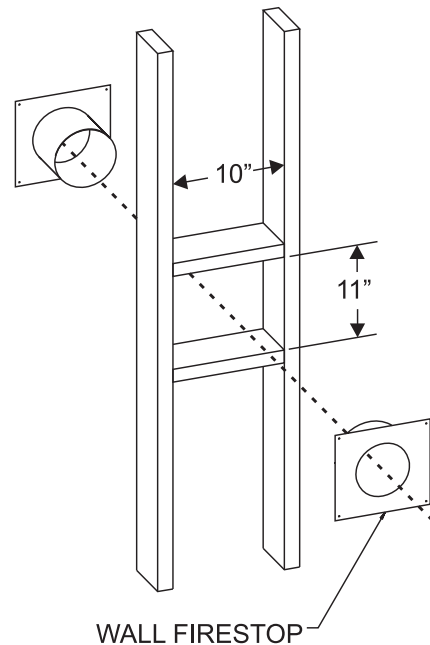


Figure 46

POWER VENT

Vertical runs of this system which pass through ceilings require the use of one ceiling firestop at the hole in each ceiling through which the vent passes.

Position a plumb bob directly over the center of the vertical vent component and mark the ceiling to establish the center point of the vent. Drill a hole or drive a nail through this center point and check the floor above for any obstructions such as wiring or plumbing runs. Reposition the appliance and vent system, if necessary, to accommodate ceiling joists and/or obstructions.

Cut a 10 inch x 10 inch hole through the ceiling, using the center point previously marked. Frame the hole with framing lumber the same size as the ceiling joists. **See Figure 47.** If the area above the ceiling is NOT an attic, position and secure the ceiling firestop on the ceiling side of the previously cut and framed hole. **See Figure 48.** If the area above the ceiling is an attic, position and secure the firestop on top of the previously framed hole. **See Figure 49.**

NOTE: Remove insulation from the framed area in the attic before installing the firestop and/or vent pipes.

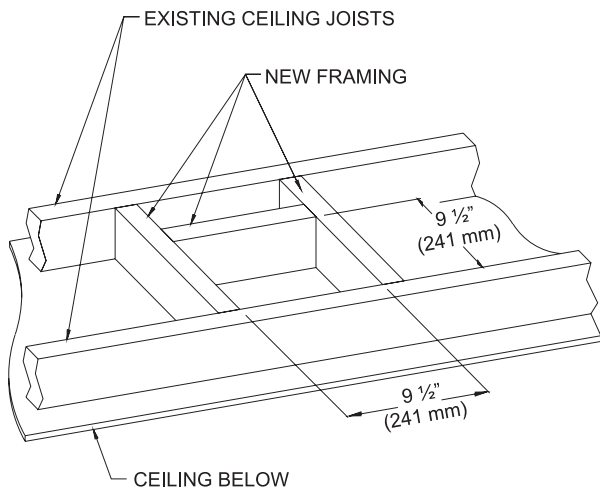


Figure 47

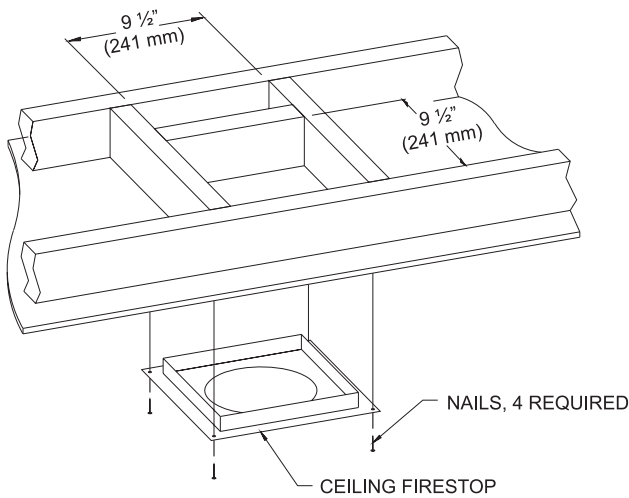


Figure 48

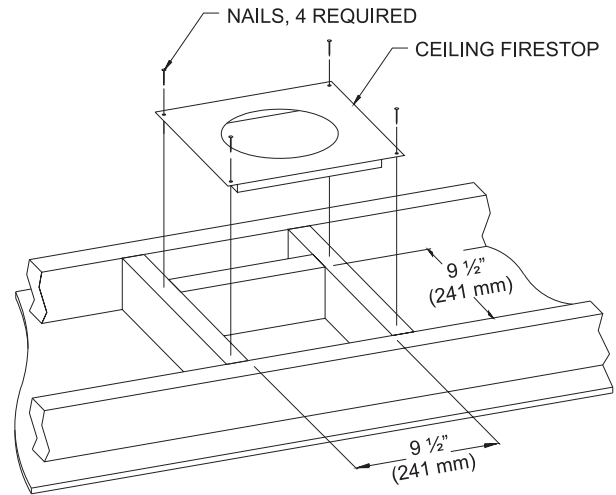


Figure 49

VENT PIPE CLEARANCE

NOTICE: Maintain one inch of clearance around vertical vent pipe. **See Figure 50.**

For horizontal vent, maintain a minimum 1 inch clearance to the bottom and sides of the vent, and 3 inch clearance to combustibles above the vent pipe. **See Figure 51.**

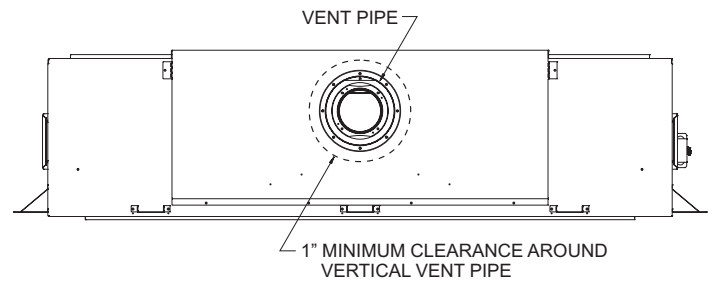


Figure 50

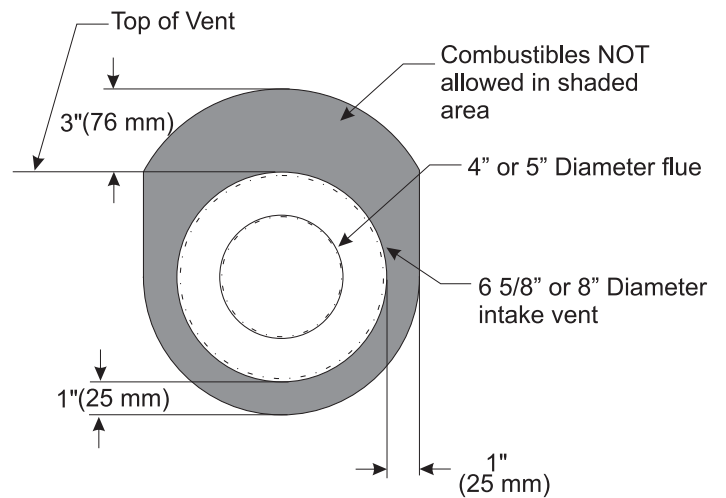


Figure 51

POWER VENT

INSTALLATION

Framing

1. Once termination location has been determined build a frame with material that has the same dimensions as the current wall. As shown in **Figure 52**. The box must be 9-1/2 inches tall by 14-1/2 inches wide.

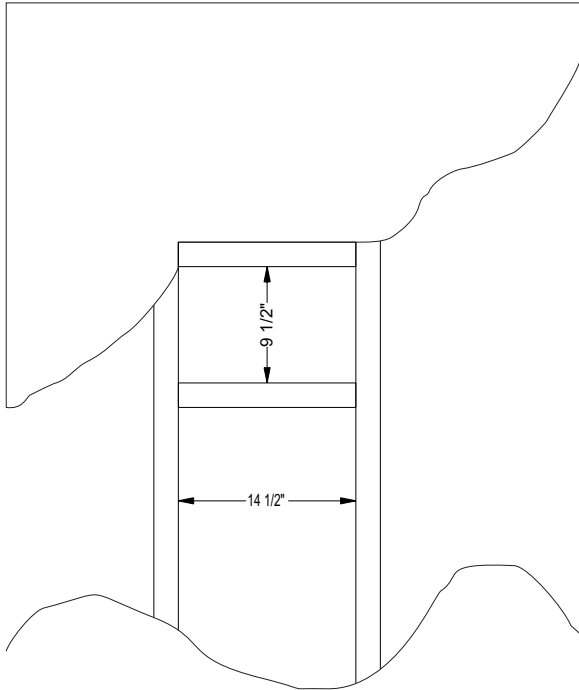


Figure 52

2. Cut a 9-1/2 inches tall by 14-1/2 inches wide hole into the wall, be sure to stay inside the new framing.
3. Remove the front fascia by removing the (6) #10-24 X 3/8 inch screws shown in **Figures 53 and 54**. Set front fascia and foam gasket aside.

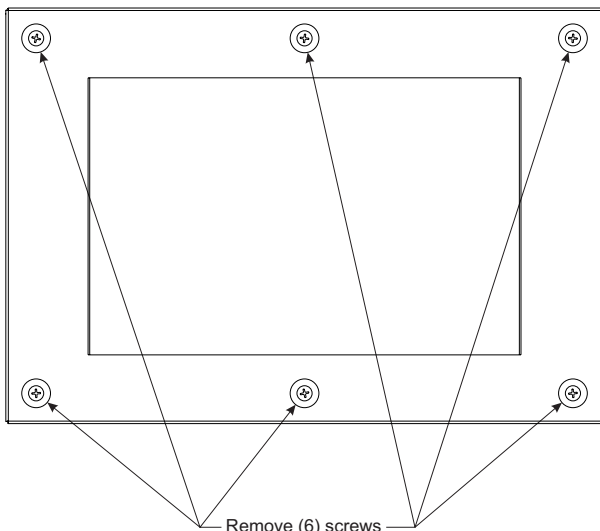


Figure 53

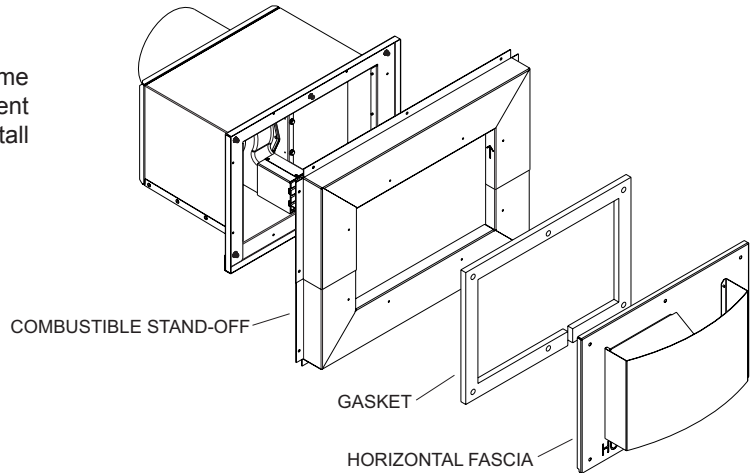


Figure 54

4. Set the Power-Vent on its face and apply a bead of silicone sealant to the rear surface of the flange to create a weather tight seal between the mounting flange and the combustible standoff. Then attach the Power-Vent to the standoff with (8) #10 sheet metal screws.

NOTE: Sealant must be rated for 300° F continuous exposure at minimum.

5. Apply a bead of silicone to the flange of the standoff. Place the Power-Vent into the hole with the inducer outlet toward the bottom and secure with (8) #10 X 1 inch screws as shown in **Figure 55**.

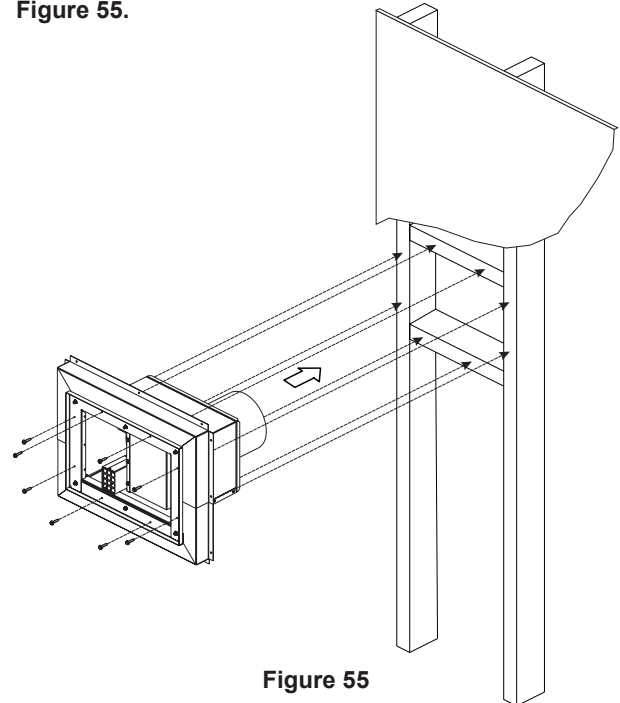


Figure 55

6. Apply a bead of silicone sealant to create a watertight seal between finishing material and the standoff flange.
7. Reinstall foam gasket with the cutout on the bottom and front fascia with (6) #10-24 X 3/8 inch screws.

NOTE: For non-combustible walls, standoff is not required.

POWER VENT

MAINTENANCE AND SERVICE

This Power-Vent has no user-serviceable mechanical components. Contact your dealer or a qualified gas appliance service technician for all service and repair.

CHECK VENT SYSTEM

The fireplace and venting system should be inspected before initial use and at least annually by a qualified service person. Inspect the external vent cap on a regular basis to make sure that no debris is interfering with the air flow.

PAINTING POWER-VENT

Front fascia and inlet air box can be painted if desired. All surfaces to be painted must be thoroughly cleaned and scuffed with steel wool. Paint must have temperature rating over 750° F.

GENERAL INFORMATION

NOTE: The Power-vent inducer fan will run for 15 seconds after the fireplace is turned on. After this pre-purge time the ignition sequence will be initiated.

NOTE: The Power-vent inducer fan will run for 120 seconds after the fireplace is turned off to purge the system of exhaust gases.

HIGH WIND APPLICATIONS

FOR HIGH WIND APPLICATIONS, A WIND SHIELD IS PROVIDED WITH THE UNIT.

1. Remove the front fascia by removing (6) #10-24 X 3/8 inch screws. **See Figure 53.**
2. Turn fascia over and attach wind shield with (1) #8 X 1/4 inch screw, as shown in **Figures 56 and 57.**

3. Make 3 hand bends on wind shield as shown below in **Figures 58, 59, and 60.**

FASCIA SHIELD REMOVED FOR CLARITY

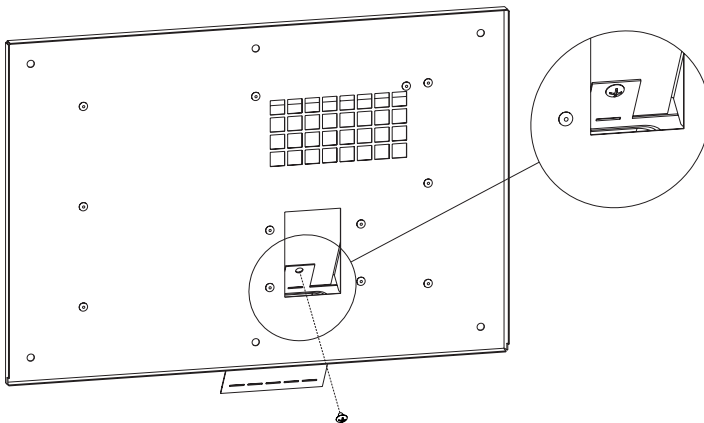


Figure 56

FASCIA SHIELD REMOVED FOR CLARITY

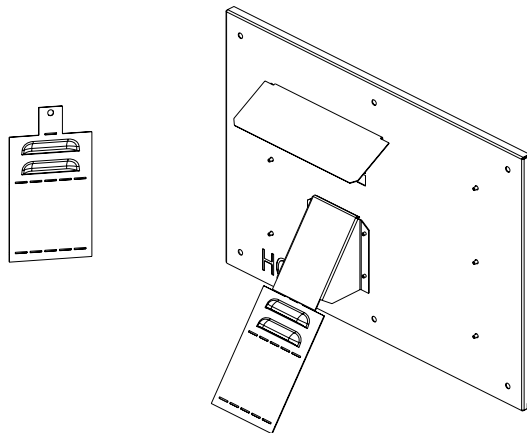


Figure 57

FASCIA SHIELD REMOVED FOR CLARITY

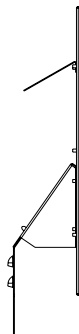


Figure 58

FASCIA SHIELD REMOVED FOR CLARITY

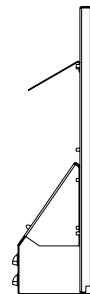


Figure 59

FASCIA SHIELD REMOVED FOR CLARITY

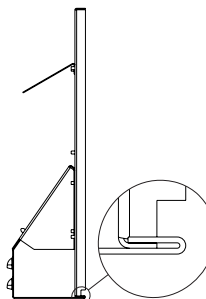


Figure 60

DAMPER ADJUSTMENT

Damper Adjustment

This unit has an adjustable damper for use with vertically terminated units only. The damper is shipped in a fully open position and may be adjusted per installation. To adjust, loosen the Phillip screw and rotate handle towards the left to close. We recommend a 1/3 closed on installations above 30 ft. See Figures 61 to 63.

WARNING

Adjust damper for vertically terminated units only. Do not adjust for horizontally terminated units.

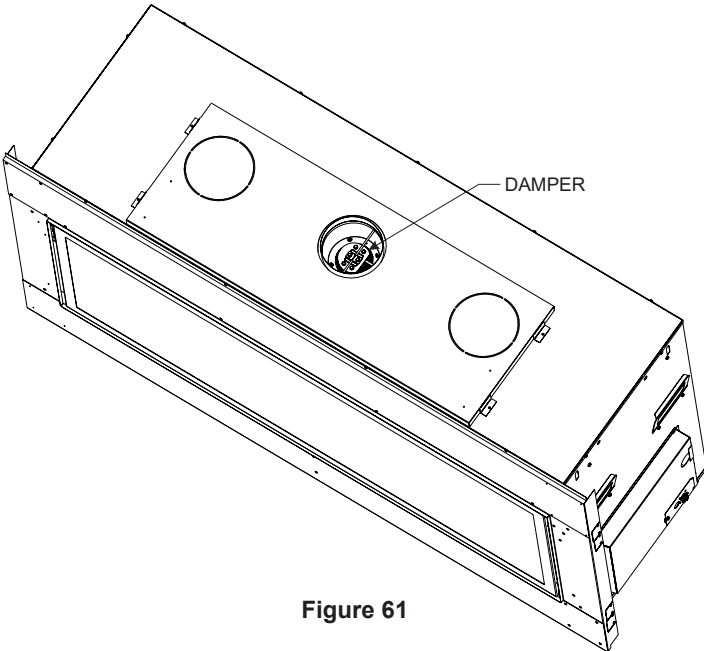


Figure 61

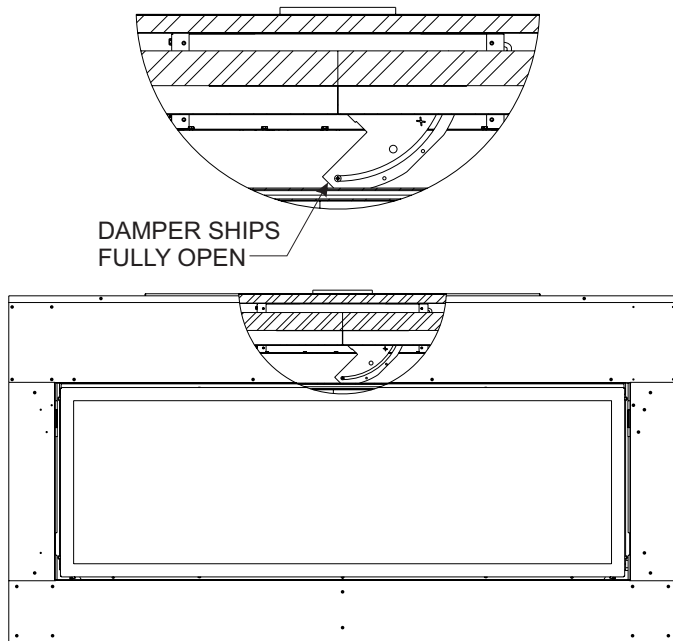


Figure 62

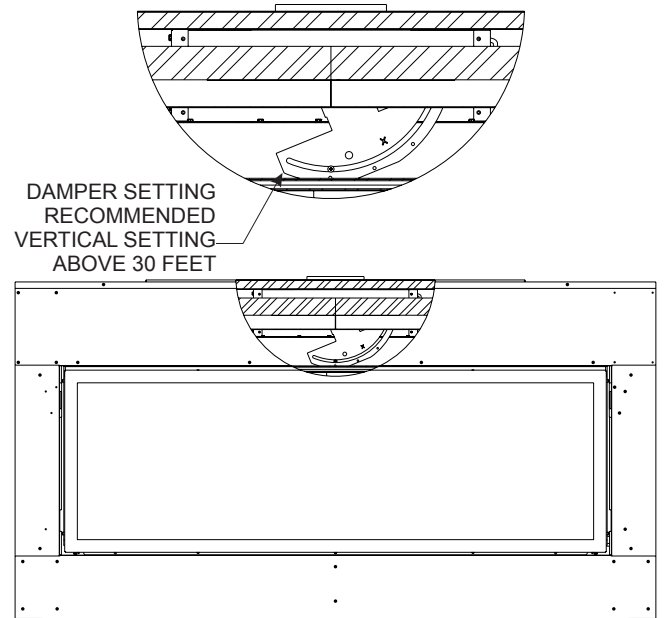


Figure 63

AIR SHUTTER ADJUSTMENT

This Unit Is Equipped With Adjustable Air Shutters (2).

The air shutters may be adjusted externally while unit is burning. The unit is sent out with the recommended setting, but may need to be fine tuned by installer.

NOTE: Fireplace must be turned off and cool to the touch before proceeding.

1. Remove barrier screen and glass door. See maintenance and service section of this manual. **See Figure 64.**

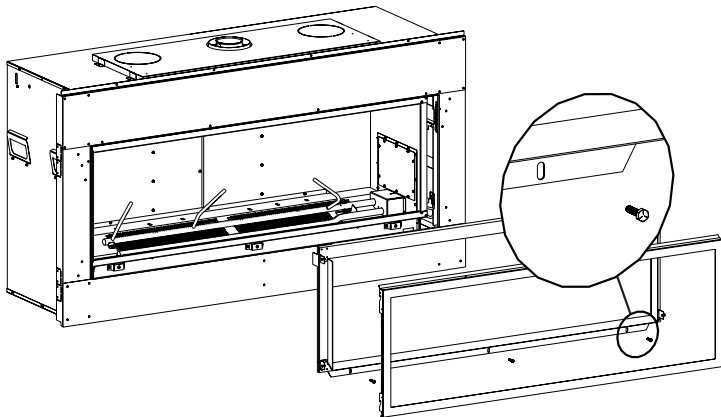


Figure 64

2. Loosen screws (2) that lock the air shutter handles. **See Figure 65.**

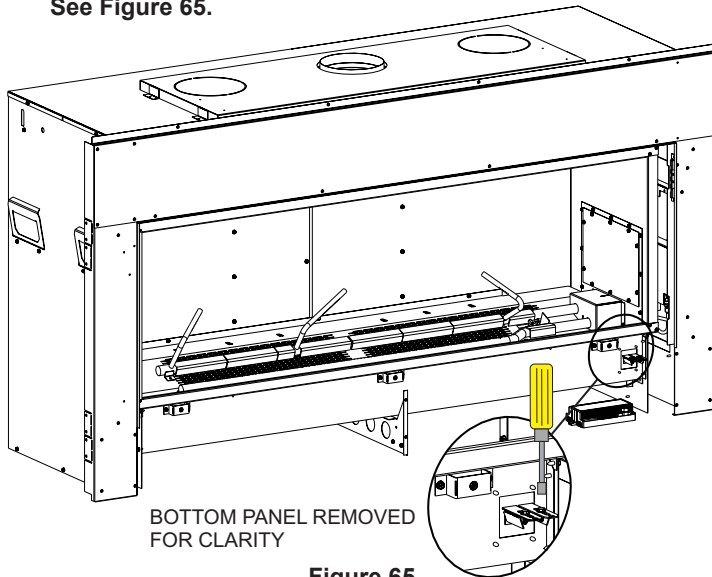


Figure 65

3. Replace glass door. See maintenance and service section of this manual.
4. Turn unit on, see operating instructions in home owner's instructions, allow unit to warm up from 15-30 minutes to obtain it's full flame appearance.
5. You may now adjust the air shutters. The right air shutter handle adjusts the rear air shutter and the left air shutter handle adjusts the front air shutter. Slide the air shutter handle towards unit to close and pull out to open. **See Figure 66.**

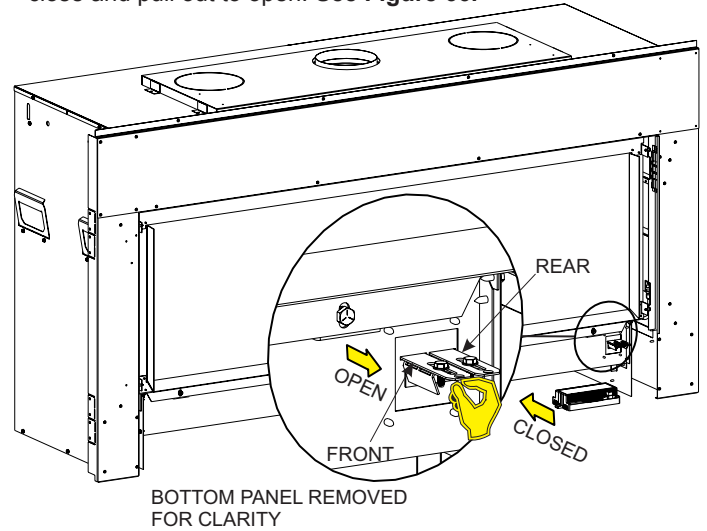


Figure 66

6. Turn off unit and allow to cool before replacing the barrier screen. See maintenance and service section of this manual.

MULTIFUNCTION REMOTE OPERATING INSTRUCTIONS

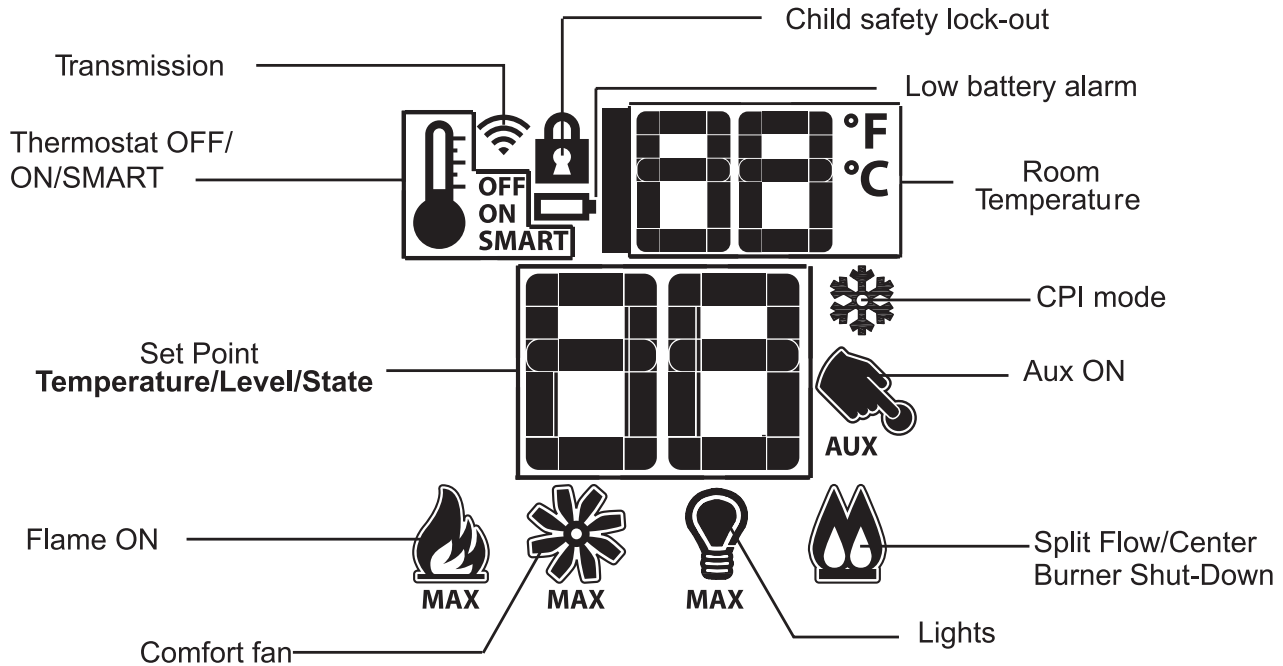


Figure 67

TECHNICAL DATA	
Remote Control	
Supply Voltage	4.5 V (three 1.5 V AAA batteries)
Ambient Temperature Ratings	0-50°C (32 - 122°F)
Radio Frequency	315 MHz

⚠ WARNING

The transmitter and receiver are radio frequency devices. Placing the receiver in or near metal may severely reduce the signal range.

⚠ WARNING

Turn "off" the main gas supply and electrical supply to the appliance during installation and/or maintenance of the receiver device.

⚠ WARNING

FIRE HAZARD. CAN CAUSE SEVERE INJURY OR DEATH.
The Receiver causes ignition of the appliance. The appliance can turn on suddenly. Keep away from the appliance burner when operating the remote system or activating manual bypass of the remote system.

⚠ CAUTION

PROPERTY DAMAGE HAZARD. EXCESSIVE HEAT CAN CAUSE PROPERTY DAMAGE.
The appliance can stay lit for many hours. Turn off the appliance if it is not going to be attended for any length of time. Always place the Transmitter where children can not reach it.

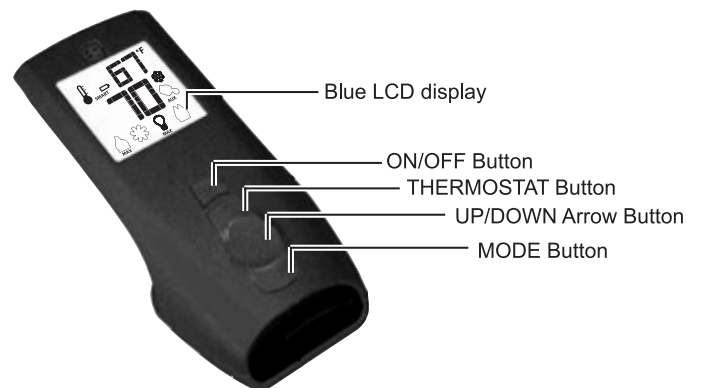


Figure 68

NOTICE: Replace all Batteries at least once each year, preferably before at the beginning of the season.

⚠ CAUTION

FIRE OR EXPLOSION HAZARD.
Can cause property damage, sever injury or death. Do not attempt to take apart the gas control or to clean it. Improper assembly and cleaning can cause unreliable operation.

MULTIFUNCTION REMOTE OPERATING INSTRUCTIONS

Temperature Indication Display °C or °F

With the system in the “OFF” position, press the Thermostat Button and the Mode Button at the same time. Look at the LCD screen on the Transmitter to verify that a °C or °F is visible to the right of the Room Temperature display. **See Figures 69 and 70.**

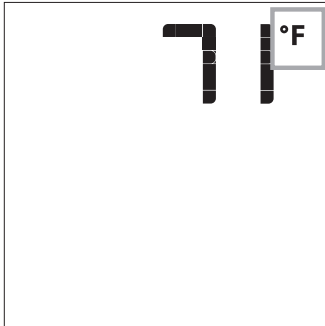


Figure 69

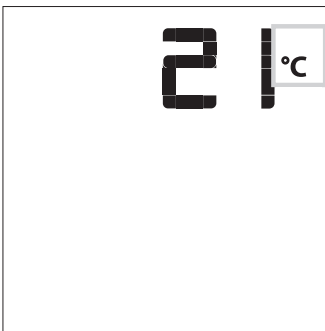


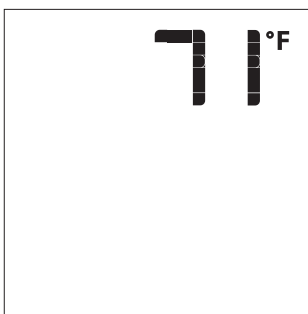
Figure 70

Turn On The Appliance

With the system OFF, press the ON/OFF Button on the Transmitter. The Transmitter display will show some other active Icons on the screen. At the same time the Receiver will activate the appliance. A single “beep” from the Receiver will confirm reception of the command.

Turn Off The Appliance

With the system ON, press the ON/OFF Button on the Transmitter. The Transmitter LCD display will only show the room temperature. **See Figure 71.** At the same time the Receiver will turn off the appliance. A single “beep” from the Receiver confirms reception of the command.



Remote Control Display - Figure 71

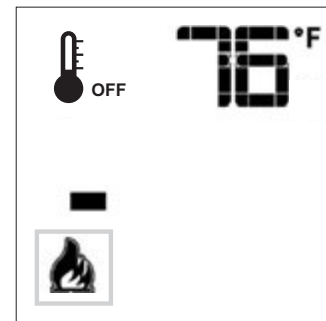
Remote Flame Control

The Proflame has six flame levels. With the system on, and the flame level at the maximum in the appliance, pressing the Down Arrow Button once will reduce the flame height by one step until the flame is turned off.

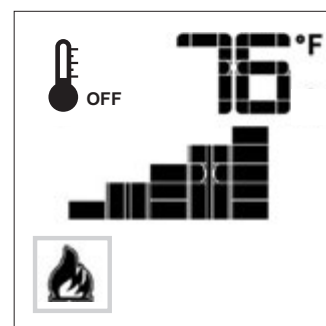
The Up Arrow Button will increase the flame height each time it is pressed. If the Up Arrow Button is pressed while the system is on but the flame is off, the flame will come on in the high position. **See Figures 72 through 75.** A single “beep” will confirm reception of the command.



Flame Off - Figure 72

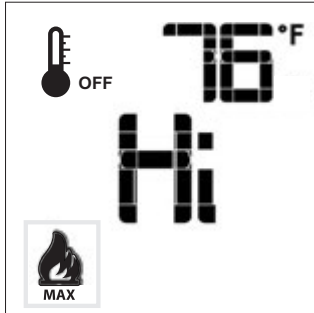


Flame Level 1 - Figure 73



Flame Level 5 - Figure 74

MULTIFUNCTION REMOTE OPERATING INSTRUCTIONS



Flame Level Maximum - Figure 75

The Thermostat Feature May Be Disabled If Desired.

With all three AAA type batteries installed:

1. Take out one AAA battery.
2. While re-inserting the AAA battery, Push and hold down the thermostat button. This will disable the thermostat feature on the transmitter.

Room Thermostat (Transmitter Operation)

The Remote Control can operate as a room thermostat. The thermostat can be set to a desired temperature to control the comfort level in a room. To activate this function, press the Thermostat Button. See Figure 68. The LCD display on the Transmitter will change to show that the room thermostat is "ON" and the set temperature is now displayed. See Figure 76. To adjust the set temperature, press the Up or Down Arrow Buttons until the desired set temperature is displayed on the LCD screen of the Transmitter. See Figure 77.

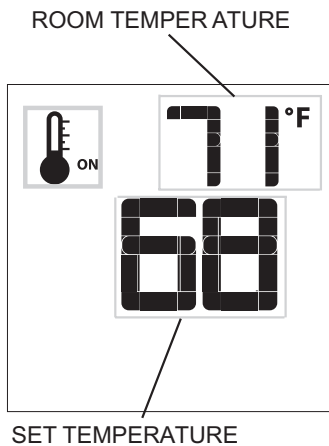


Figure 76

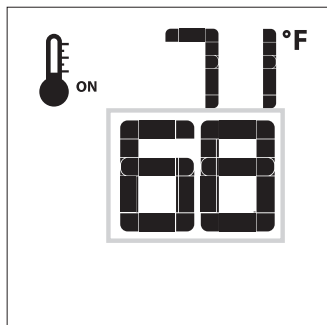


Figure 77

Smart Thermostat (Transmitter Operation)

The Smart Thermostat function adjusts the flame height in accordance to the difference between the set point temperature and the actual room temperatures. As the room temperature gets closer to the set point the Smart Function will modulate the flame down. To activate this function, press the Thermostat Button until the word "SMART" appears to the right of the temperature bulb graphic. See Figure 78. To adjust the set temperature, press the Up or Down Arrow Buttons until the desired set temperature is displayed on the LCD screen of the Transmitter. See Figure 79.

NOTE: When Smart Thermostat is activated, manual flame height adjustment is disabled.

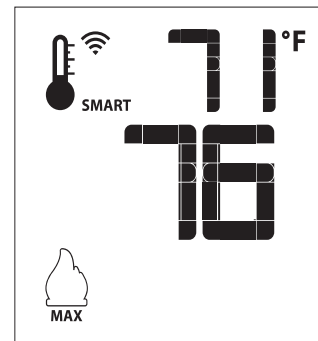


Figure 78

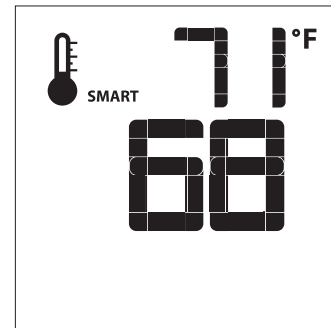


Figure 79

MULTIFUNCTION REMOTE OPERATING INSTRUCTIONS

Blower Control (Fan)

If the appliance is equipped with a hot air circulating fan, the speed of the fan can be controlled by the Proflame system. The fan speed can be adjusted through six speeds. To activate this function, use the Mode Button **Figure 68** to index the fan control icon. **See Figure 80.** Use the Up/Down Arrow Buttons **Figure 68** to turn on off or adjust the fan speed. **See Figure 81.** A single “beep” will confirm reception of the command.



Figure 80

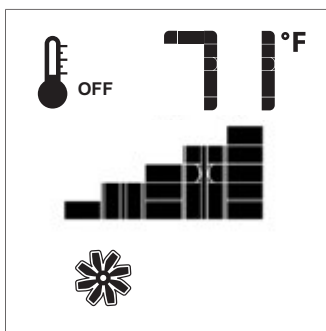


Figure 81

Remote Dimmer Control (Light)

The auxiliary function controls the power light outlet by the dimmable light control. To activate this function, use the Mode Button **Figure 68** to index to the light icon. **See Figures 82 and 83.**

The intensity of the output can be adjusted through six levels. Use the Up/Down Arrow Buttons **Figure 68** to adjust the output level. A single “beep” will confirm reception of the command.

NOTE: This function is available only with the IFC control Module.

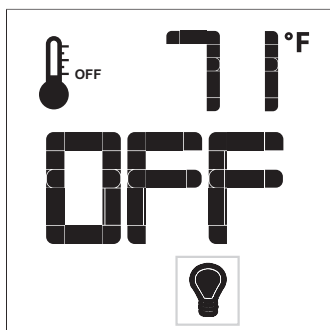


Figure 82

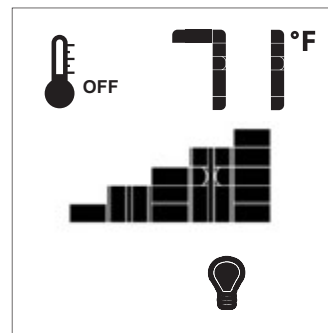


Figure 83

Split Flow Control

The secondary burner is controlled by the split Flow. To activate this function use the Mode Button **Figure 68** to index to the SPLIT FLOW mode icon. **See Figures 84 and 85.**

Pressing the Up Arrow Button will activate the secondary burner. Pressing the Down Arrow Button will turn the secondary burner off. A single “beep” will confirm the reception of the command.

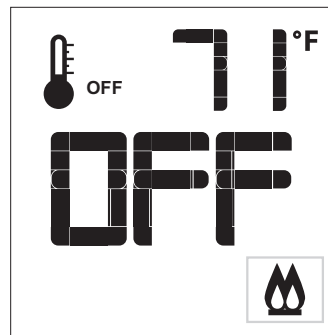


Figure 84

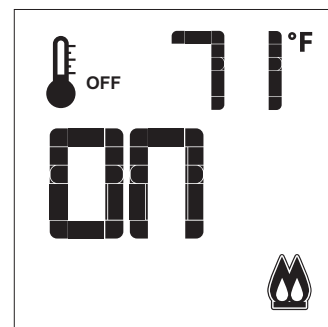


Figure 85

MULTIFUNCTION REMOTE OPERATING INSTRUCTIONS

Remote Auxiliary Relay Control (optional with this fireplace)

The auxiliary function controls the AUX relay outlet. To activate this function use the Mode Button **Figure 68** to index to the AUX icon **Figures 86 and 87**. Pressing the Up Arrow Button will activate the outlet. Pressing the Down Arrow Button will turn the outlet off. A single “beep” will confirm the reception of the command.



Figure 86

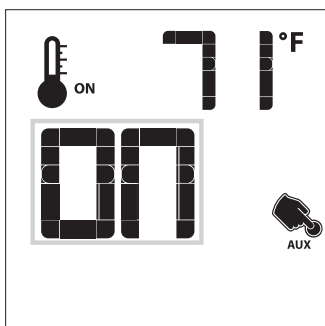


Figure 87

Button Lock

This function will lock the Buttons to avoid unsupervised operation. To activate this function, press the MODE and UP Buttons at the same time. **See Figure 88.**

To deactivate this function, press the MODE and UP Buttons at the same time.

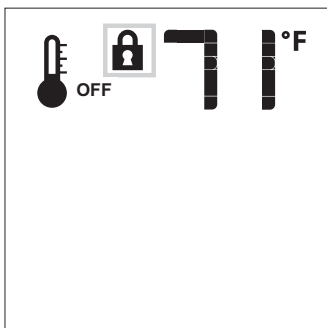


Figure 88

Low Battery Power Detection - Transmitter

The life span of the remote control batteries depends on various factors: quality of the batteries used, the number of ignitions of the appliance, the number of changes to the room thermostat set point, etc.

When the transmitter batteries are low, an Icon will appear on the LCD display of the transmitter **See Figure 89** before all battery power is lost. When the batteries are replaced this Icon will disappear.

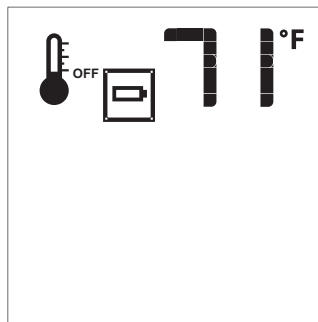


Figure 89

MULTIFUNCTION REMOTE OPERATING INSTRUCTIONS

Lockout State Definition

A lockout state is reached when an ignition error occurs. The lockout state will remain set in memory as long as the power supplies are applied.

This could mean both an irregular flame detection and/or too many unsuccessful ignition attempts.

This state is a safe condition for the appliance and is entered automatically by the IFC board.

When the IFC board gets into lockout state:

1. both the Pilot and the Main Burner solenoids in the gas valve are de-energized;
2. a diagnostic code is sent through the diagnostic red LED.
3. the IFC board will ignore any burner ignition command and remain in the OFF state unless the unlock command sequence is met.

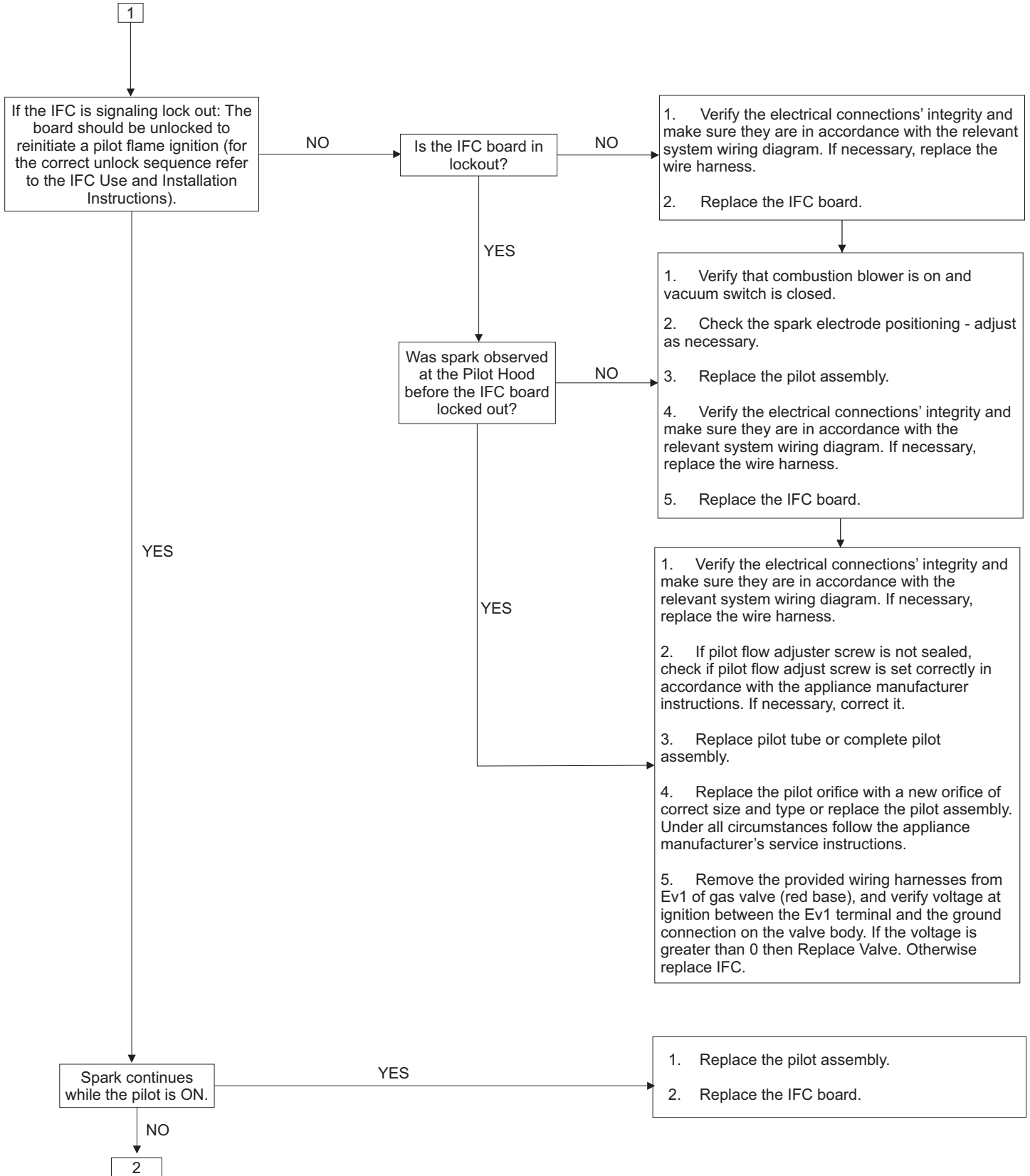
The causes of lockout must be investigated under safe conditions by the user and/or the service personnel.

To reset the IFC from a lockout state, perform the following procedure:

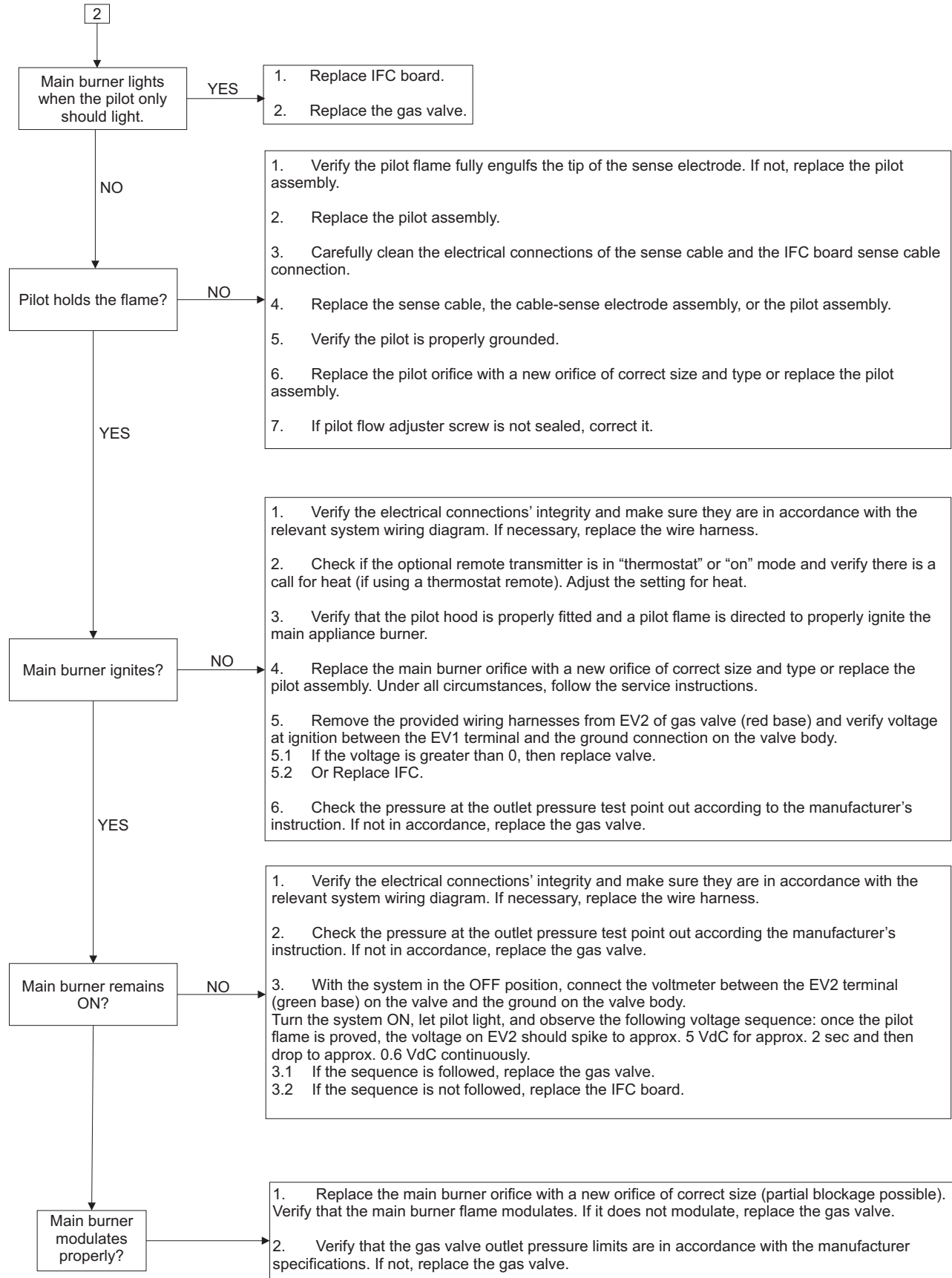
Turning the system power supplies (to the wall control or remote control) OFF for two or three seconds and then restoring a power supply back on.

The return of the system to normal operation must be checked under safe conditions by the user and/or service personnel.

CONTROL SYSTEM TROUBLESHOOTING



CONTROL SYSTEM TROUBLESHOOTING (CONT'D)



MAINTENANCE AND SERVICE

Glass And Barrier Removal

1. Lift barrier screen and pull towards you.
2. Remove 3 bolts at the bottom edge of the glass frame using a 9/16" socket. Tilt the bottom of the Glass Frame towards you and pull upwards to remove it from the unit. **See Figures 90 and 91.**

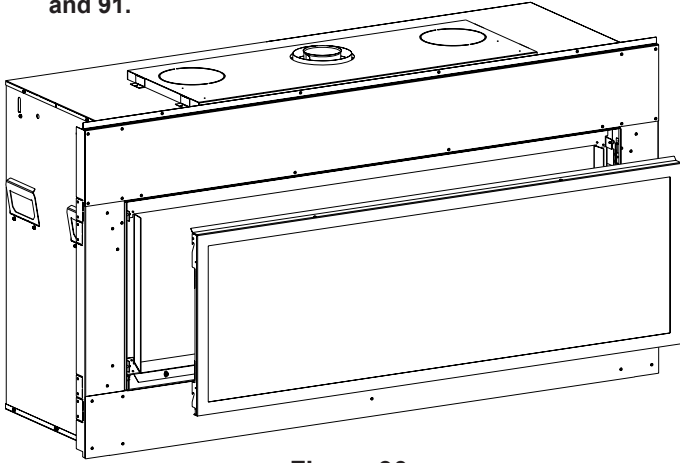


Figure 90

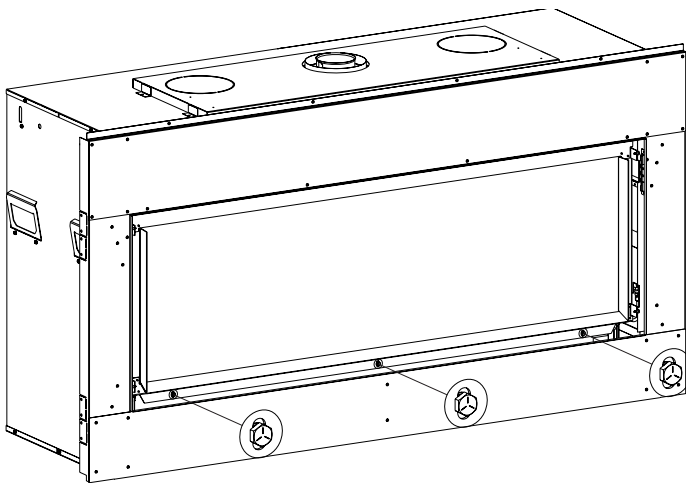


Figure 91

Light Bulb(s) Replacement

1. Remove the following items:
 - Screen Barrier
 - Glass Frame Assembly

This unit comes standard with two lights that are attached to the roof of the fireplace. To access the light bulb you will remove the following items by removing four screws per light: **See Figure 92.**

- Metal Bezel
- Glass
- Gasket

NOTE: Use gloves when handling light bulb, oils on your hand will diminish the life span of the light bulb.

2. Remove old light bulb and replace with a new one. **See Figure 93.**

NOTE: You may order light bulbs from your local Empire dealer or purchase them from your local hardware store.

LIGHT BULB SPECIFICATIONS

35w Clear Halogen, Bi-Pin 6.35mm base, 120vac, UL

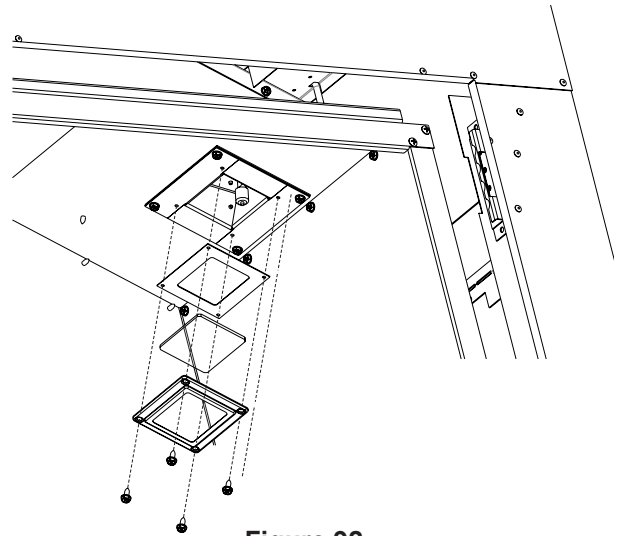


Figure 92

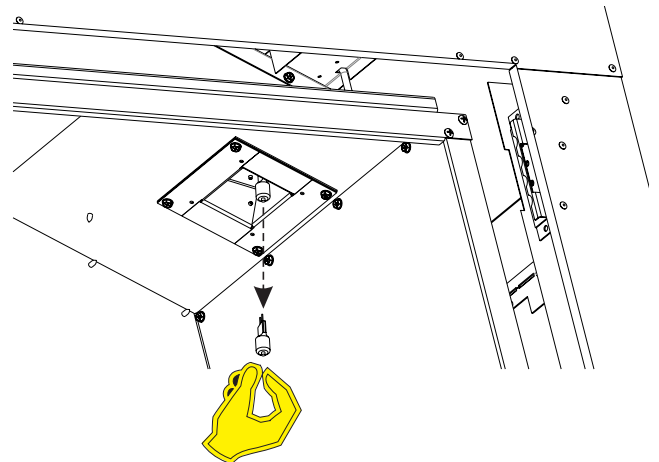


Figure 93

MAINTENANCE AND SERVICE (CONT'D)

Maintenance Precautions

Installation and repair should be done by a qualified service person. The fireplace should be inspected before use and at least annually by a qualified service person. More frequent cleaning might be required due to excessive lint from carpeting, bedding material, etc. It is imperative that control compartments, burners and circulating air passageways of the fireplace be kept clean.

Keep burner and control compartment clean.

Examine venting system periodically and replace damaged parts. Make a periodic visual check of pilot and burners. Clean and replace damaged parts.

Damaged Fireplace

Do not use this fireplace if any part has been under water. Immediately call a qualified service technician to inspect the fireplace and to replace any part of the control system and any gas control which has been under water.

In the event of a natural disaster (tornado, earthquake, fire, etc.) have a qualified technician inspect the fireplace for damage or potential gas leaks. Repair or replace any damaged components before operating this fireplace.

FOR INSTALLER

Annual Inspection

- Have the fireplace inspected annually before use.
- More frequent inspection and cleaning may be required if the fireplace is installed in an area exposed to pet hair or dust, or to excessive lint from new carpeting or bedding materials.

During The Annual Checkup, The Technician Will:

- Inspect the pilot (flame safety system) and burner(s) for proper operation and replace any damaged parts.
- Test and measure the flame failure response time of the flame safety system. It must de-energize the safety shut-off in no more than 30 seconds.
- Vacuum and clean any foreign debris in the firebox that is not supposed to be there.
- Inspect and ensure that the lighting of the main burner occurs within 4 seconds of the gas valve opening. Visual inspection should match the information illustrated in the manual. Inspect primary air openings for blockage.
- Check the glass and gasket for proper seal.
- Clean Glass with a suitable fireplace glass cleaner. Abrasive cleaners must not be used. Be careful not to scratch the glass when cleaning.
- Check the barrier screen for fit and structural integrity. **See Figure 64.**
- Inspect the log set (if applicable) and decorative media (if applicable) for debris or damage.
- Freshen up the glowing embers if applicable.
- Replace batteries in the remote transmitter and receiver if applicable.
- Inspect the venting and vent termination cap for damage, corrosion, sooting, or obstruction and correct if present.
- Check all accessible gas-carrying tubes, connections, pipes and other components for leaks.
- *In addition, clean and inspect the fireplace following any remodeling work in your home.*

COMPONENT WIRING DIAGRAM

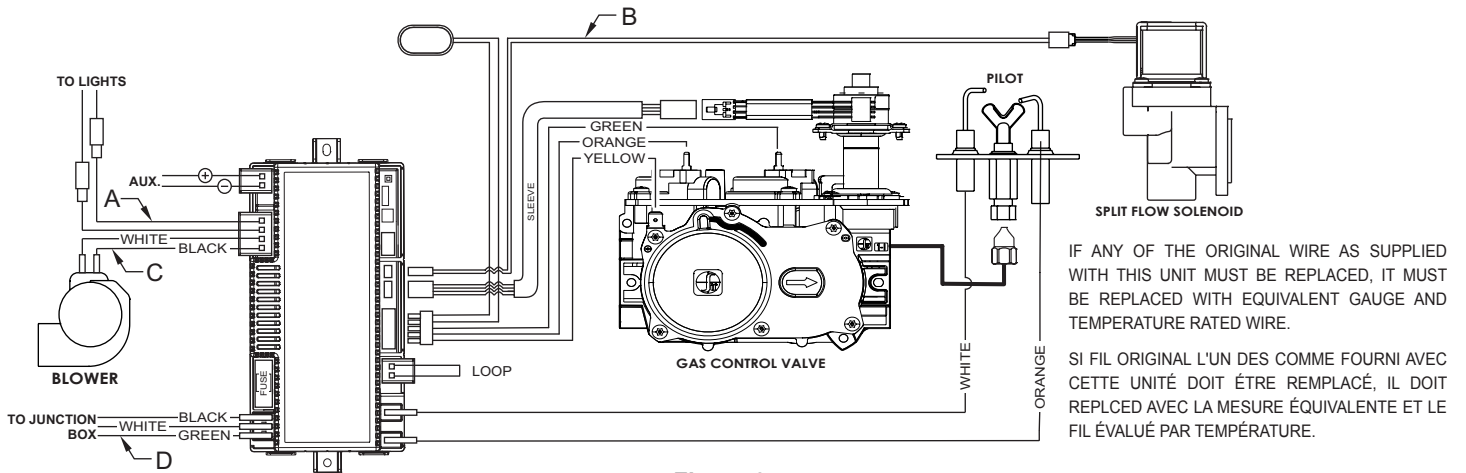
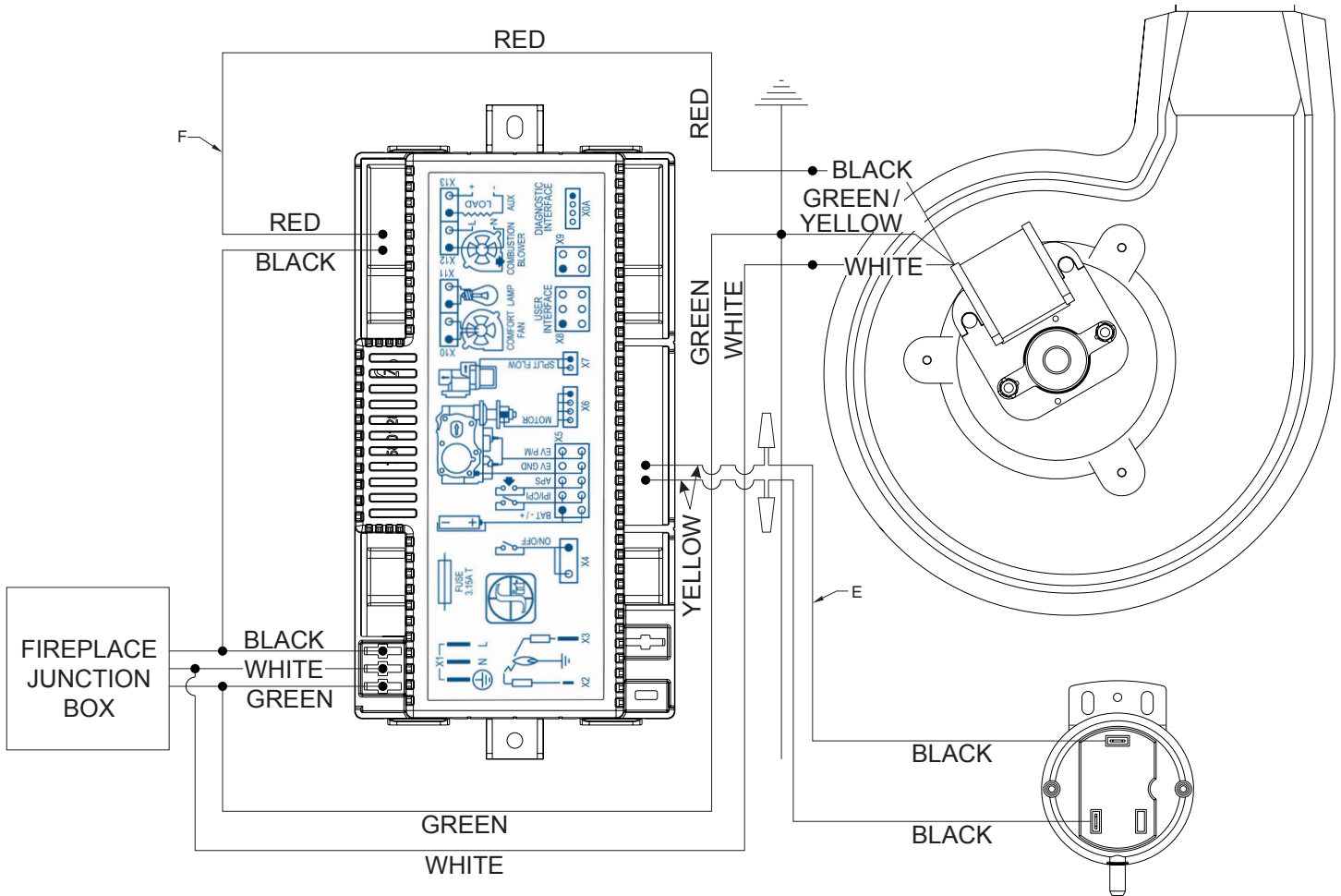


Figure 94

INDEX NUMBER	DESCRIPTION	PART NUMBER
A	Wire Harness, Accent Light Termination	R12269
B	Wire Harness, Proflame2	R11551
C	Wire Assembly (Blower)	R12256
D	Wire Harness, Module To Junction Box	R11730
*E	Wire Harness, Pressure Switch	R13381
*F	Wire Harness, Power Vent	R13382

*E and F in power vent wiring graphic.

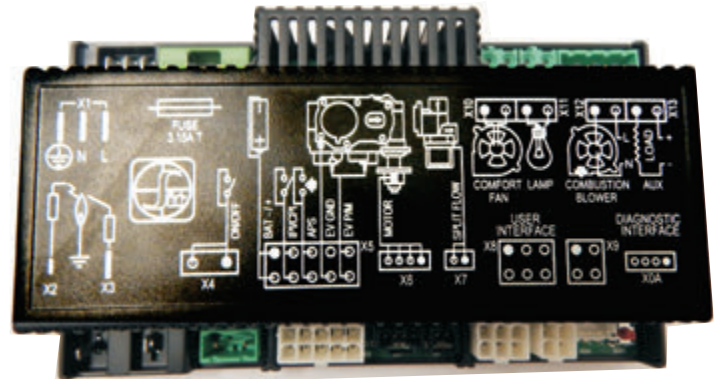
COMPONENT WIRING DIAGRAM (CONT'D)



Power Vent Wiring Diagram
Figure 95



Bottom of Receiver Module
Figure 96



Top of Receiver Module
Figure 97

PARTS LIST

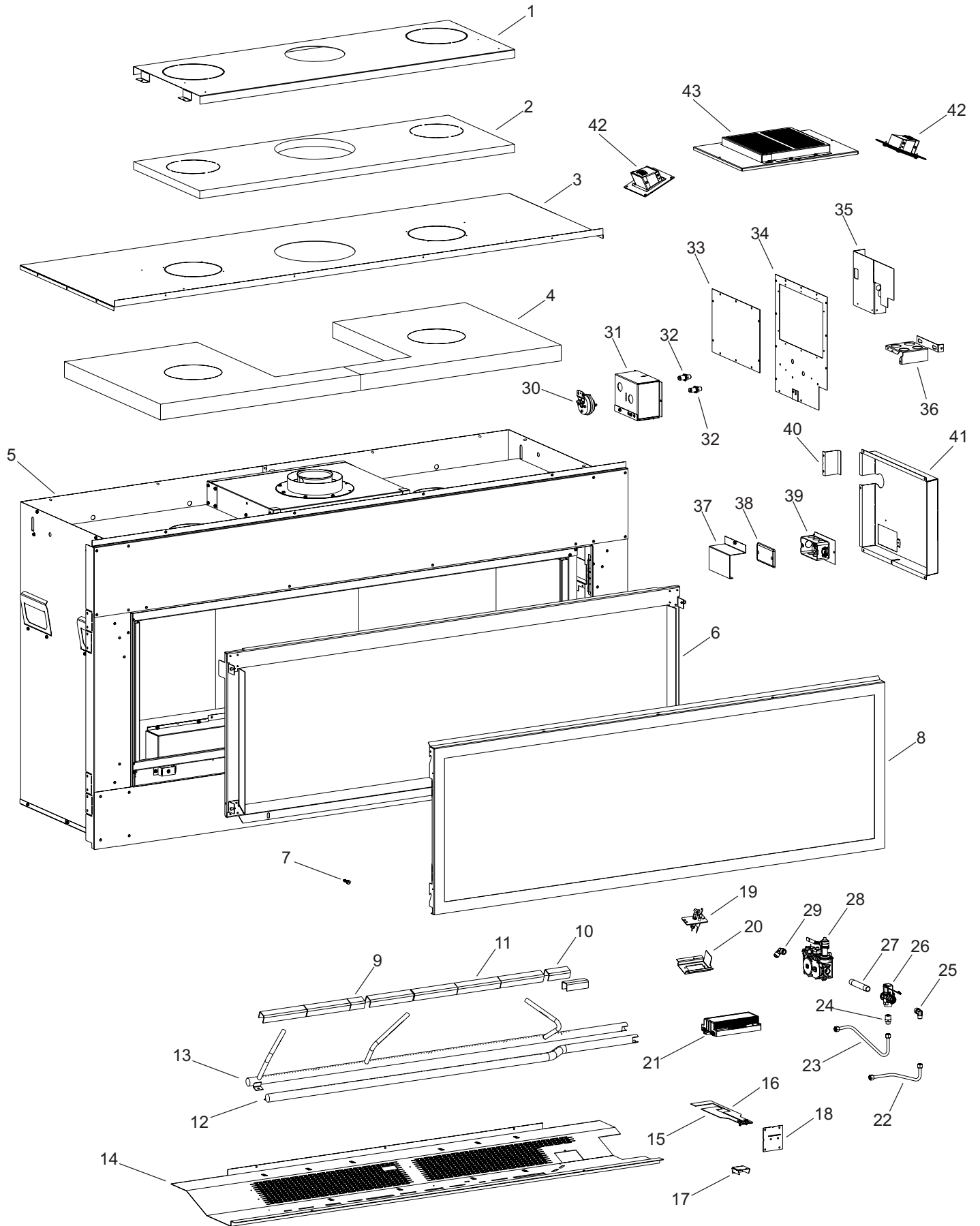
INDEX NO.	DVCTL60 PART#	DESCRIPTION
1	43951	Heat Shield, Top
2	R11963	Insulation
3	43723	Outer Top
4	R13378	Insulation (2)
5	N/A	Fireplace Painted Assembly
6	43741	Glass Frame Assembly
7	R13327	Bolt (3)
8	43746	Screen Frame Assembly
9	42984	Rockwool Support 2"
10	42883	Rockwool Support 3" (2)
11	42985	Rockwool Support 6" (6)
12	R13324	Burner - Front
13	R13325	Burner - Rear
14	43760	Burner Base
15	43757	Air Shutter Slide-Front
16	43758	Air Shutter Slide-Rear
17	43756	Air Shutter Slide-Base
18	43759	Base, Air Shutter
19	R13326	Pilot Assembly
20	43754	Pilot Bracket
21	43960	Control Module
22	43730	Tubing Assembly-Front
23	43731	Tubing Assembly-Rear
24	R2423	Male Adaptor
25	R6207	Elbow
26	R12278	Solenoid
27	P133	Pipe Nipple
28	R11233	Gas Valve
29	R10882	Elbow
30	R12576	Vacuum Switch
31	43732	Air Box, Orifice Assembly
32	P212	Orifice Holder (2)

INDEX NO.	DVCTL60 PART#	DESCRIPTION
33	43729	Burner Wall Access Plate
34	43728	Burner Wall
35	30947	Valve Bracket
36	34741	Valve Bracket-Support
37	33332	Junction Box Heat Shield
38	R11243	Junction Box Cover
39	17162	Junction Box Assembly
40	38248	Gas Line Access Plate
41	38229	Access Box
42	43737	Accent Light, Box Assembly (2)
43	43750	Catalyst Box Assembly
N/S	P181	Orifice-Front #43
N/S	P296	Orifice-Rear 3.1mm
N/S	15496	Rockwool
N/S	R9641	Glass, Accent Lamp
N/S	R9642	Bezel, Accent Lamp
N/S	R11524	Wire Harness, Receiver
N/S	R11545	Light-Blower Terminal Block
N/S	R11730	Wire Harness, Module To Junction Box
N/S	R12256	Wire Assembly (Blower)
N/S	R12269	Wire Harness, Accent Light Termination
N/S	R12270	Jumper Wire, Module
N/S	R7591	Flex Line, 3/8 X 12 Inch With Shut-Off Valve
N/S	R11550	Remote
N/S	R13237	Light Bulb (2)

N/S = NOT SHOWN

*Also order a R12270 Jumper Wire. **NOTE:** The Jumper Wire must be connected to the "X4" terminal pins on the Proflame II Control Module.

EXPLODED VIEW



MASTER PARTS DISTRIBUTOR LIST

To Order Parts Under Warranty, please contact your local Empire dealer. See the dealer locator at www.empirecomfort.com. To provide warranty service, your dealer will need your name and address, purchase date and serial number, and the nature of the problem with the unit.

To Order Parts After the Warranty Period, please contact your dealer or one of the Master Parts Distributors listed below. This list changes from time to time. For the current list, please click on the Master Parts button at www.empirecomfort.com.

Please note: Master Parts Distributors are independent businesses that stock the most commonly ordered Original Equipment repair parts for Heaters, Grills, and Fireplaces manufactured by Empire Comfort Systems Inc.

Dey Distributing

1401 Willow Lake Boulevard
Vadnais Heights, MN 55101

Phone: 651-490-9191

Toll Free: 800-397-1339

Website: www.deydistributing.com

Parts: Heater, Hearth and Grills

F. W. Webb Company

200 Locust Street
Hartford, CT 06114

Phone: 860-722-2433

Toll Free: 800-243-9360

Fax: 860-293-0479

Toll Free Fax: 800-274-2004

Websites: www.fwwebb.com & www.victormfg.com

Parts: Heater, Hearth and Grills

East Coast Energy Products

10 East Route 36
West Long Branch, NJ 07764

Phone: 732-870-8809

Toll Free: 800-755-8809

Fax: 732-870-8811

Website: www.eastcoastenergy.com

Parts: Heater, Hearth and Grills

HOW TO ORDER REPAIR PARTS

Parts Not Under Warranty

Parts can be ordered through your Service Person, Dealer, or a Master Parts Distributor. See this page for the Master Parts Distributors list. For best results, the **service person or dealer** should order parts through the distributor. Parts can be shipped directly to the **service person/dealer**.

Warranty Parts

Warranty parts will need a proof of purchase and can be ordered by your Service Person or Dealer. Proof of purchase is **required** for warranty parts.

All parts listed in the Parts List have a Part Number. When ordering parts, first obtain the Model Number and Serial Number from the name plate on your equipment. Then determine the Part Number (**not** the Index Number) and the Description of each part from the following illustration and part list. Be sure to give all this information . . .

Appliance Model Number _____

Part Description _____

Appliance Serial Number _____

Part Number _____

Type of Gas (Propane or Natural) _____

Do not order bolts, screws, washers or nuts. They are standard hardware items and can be purchased at any local hardware store.

Shipments contingent upon strikes, fires and all causes beyond our control.

WARRANTY

Empire Comfort Systems Inc. warrants this hearth product to be free from defects at the time of purchase and for the periods specified below. Hearth products must be installed by a qualified technician and must be maintained and operated safely, in accordance with the instructions in the owner's manual. This warranty applies to the original purchaser only and is not transferable. All warranty repairs must be accomplished by a qualified gas appliance technician.

Limited Lifetime Parts Warranty – Combustion Chamber, Heat Exchanger, and Factory-Installed Glass

If the combustion chamber, heat exchanger (see parts list) or factory-installed glass fails because of defective workmanship or material, Empire will repair or replace at Empire's option.

Limited Three-Year Parts Warranty – All Other Components

(Except Remote Controls, Thermostats, Accessories and Replacement Parts)

Should any part fail because of defective workmanship or material within three years from the date of purchase, Empire will repair or replace at Empire's option..

Limited One-Year Parts Warranty – Remote Controls, Thermostats, Lighting System, Accessories, and Parts

Should any remote control, thermostat, lighting system, accessory, or other part fail because of defective workmanship within one year from the date of purchase, Empire will repair or replace at Empire's option.

Duties of the Owner

The appliance must be installed by a qualified installer and operated in accordance with the instructions furnished with the appliance. A bill of sale, canceled check, or payment record should be kept to verify purchase date and establish warranty period. Ready access to the appliance for service.

What Is Not Covered

Damages that might result from the use, misuse, or improper installation of this appliance.
Travel, diagnostic costs and freight charges on warranted parts to and from the factory.
Claims that do not involve defective workmanship or materials.
Unauthorized service or parts replacements.
Removal and reinstallation cost.
Inoperable due to improper or lack of maintenance.

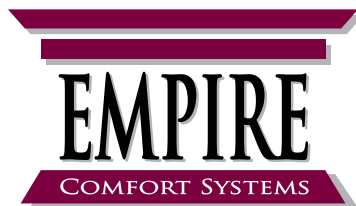
How To Get Service

To make a claim under this warranty, please have your receipt available and contact your installing dealer. Provide the dealer with the model number, serial number, type of gas, and purchase verification. The installing dealer is responsible for providing service and will contact the factory to initiate any warranted parts replacements. Empire will make replacement parts available at the factory. Shipping expenses are not covered.

If, after contacting your Empire dealer, service received has not been satisfactory, contact: Consumer Relations Department, Empire Comfort Systems Inc., PO Box 529, Belleville, Illinois 62222, or send an e-mail to info@empirecomfort.com with "Consumer Relations" in the subject line.

Your Rights Under State Law

This warranty gives you specific legal rights, and you may also have other rights, which vary from state to state.



SINCE 1932

www.empirecomfort.com

**Empire Comfort Systems Inc.
Belleville, IL**

If you have a general question
about our products, please e-mail
us at info@empirecomfort.com.

If you have a service or repair
question, please contact your dealer.

INSTRUCTIONS D'INSTALLATION

(VOIR LE MANUEL DU PROPRIÉTAIRE POUR LES INSTRUCTIONS D'UTILISATION)

INSTALLATEUR :

Laisser ce guide avec l'appareil.

ACHETEUR :

Conservez ce manuel pour référence Itérieure.

⚠ AVERTISSEMENT

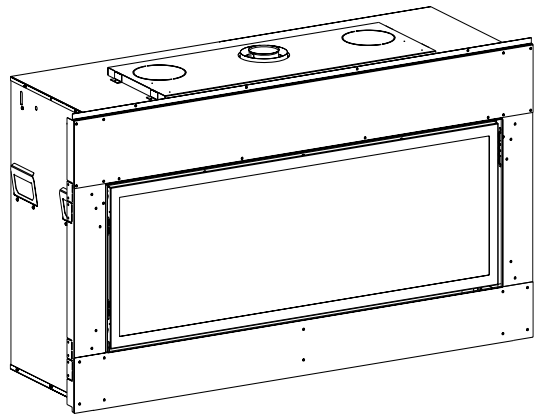
RISQUE D'INCENDIE OU D'EXPLOSION

Veiller à respecter scrupuleusement les mises en garde, sous peine de blessures graves, de mort ou de dégâts matériels.

- Ne pas entreposer ni utiliser d'essence ou autres vapeurs et liquides inflammables au voisinage de cet appareil ou d'autres.
- QUE FAIRE EN CAS D'ODEUR DE GAZ
 - Ne pas tenter d'allumer un appareil, quel qu'il soit.
 - Ne toucher aucun interrupteur électrique; ne pas utiliser de téléphone dans le bâtiment.
 - Quitter le bâtiment immédiatement.
 - Téléphoner immédiatement au fournisseur de gaz depuis une maison voisine. Suivre les instructions du fournisseur de gaz.
 - S'il est impossible de joindre le fournisseur de gaz, appeler le service d'incendie.
- L'installation et l'entretien doivent être exécutés par un installateur qualifié, une agence de service ou par le fournisseur de gaz.

ZÉRO À VENTILATION DIRECTE SÉRIE DE MODÈLES DE CHAUFFAGE DE CHEMINÉE À GAZ:

DVCTL60CFP95N



Cet appareil peut être posé dans une maison préfabriquée (États-Unis uniquement) ou une maison mobile installée de façon permanente et de seconde main, lorsque cela n'est pas interdit par la réglementation en vigueur.

Cet appareil doit être utilisé uniquement avec le type de gaz indiqué sur la plaque signalétique. Cet appareil n'est pas convertible pour fonctionner avec d'autres gaz, sauf si un nécessaire de conversion certifié est utilisé.

⚠ DANGER



**VITRE CHAUDE – RISQUE DE
BRÛLURES.
NE TOUCHEZ PAS UNE VITRE
NON REFROIDIE.
NE LAISSEZ JAMAIS UN
ENFANT TOUCHER LA VITRE.**

L'écran pare-étincelles fourni avec ce foyer réduit le risque de brûlure en cas de contact accidentel avec la vitre chaude et doit être installé pour la protection des enfants et des personnes à risques.

NATIONAL
FIREPLACE
INSTITUTE



CERTIFIED

www.nficertified.org

Nous suggérons que nos produits Gas Hearth soient installés et entretenus par des professionnels certifiés aux États-Unis par le National Fireplace Institute® (NFI) en tant que spécialistes du gaz NFI.

GAS-FIRED



DOSSIER UL N° MH30033

Ce foyer est conçu certifié conforme aux normes American National Standard/ CSA ANSI Z.21-88/CSA 2.33 et par Underwriters Laboratories en tant qu'appareil de chauffage au gaz à évacuation directe et doit être installé conformément à ces instructions.

TABLE DES MATIÈRES

SECTION	PAGE
Informations de sécurité importantes	3
Consignes de sécurité pour les utilisateurs de gaz Propane	4
Exigences pour le Massachusetts.....	5
Introduction.....	6
Information de référence pour le propriétaire	6
À l'attention de l'installateur.....	7
Avant de commencer	8-9
Contenu de l'emballage et de la trousse de quincaillerie	10
Spécifications	11
Accessoires	11
Dimensions du foyer.....	12
Placement du foyer	13
Considérations concernant l'électricité.....	13
Installation de la soufflerie.....	14-15
Dégagements	16
Dégagements de l'extrémité d'évacuation	17-18
Alimentation en gaz.....	19
Accès au compartiment du robinet.....	20
Essai de pression de l'alimentation en gaz	21
Installation	22-24
Évacuation forcée.....	25-32
Applications pour grands vents	32
Réglage du registre	33
Réglage de l'obturateur d'air	34
Instructions d'utilisation de la télécommande multifonction.....	35-40
Dépannage du système de commande.....	41-42
Entretien et réparation.....	43-44
Schéma de câblage des composants	45-46
Nomenclature des pièces.....	47
Vue éclatée.....	48
Liste des principaux distributeurs de pièces.....	49
Comment commander des pièces de rechange.....	49
Garantie.....	50
Historique de l'entretien de l'appareil	51

CONSIGNES DE SÉCURITÉ IMPORTANTES

Avant d'emmurer le conduit d'évacuation, faire fonctionner l'appareil pour s'assurer que l'évacuation des gaz brûlés se fait correctement.

NE PAS FAIRE FONCTIONNER CET APPAREIL SANS SA VITRE FRONTALE EN PLACE

AVERTISSEMENT

- « En raison des températures élevées, l'appareil doit être placé hors des points de passage et à l'écart du mobilier et des rideaux. »
- « Les enfants et les adultes doivent être avertis du danger des hautes températures de surface et être tenus à l'écart pour éviter de se brûler ou d'enflammer des vêtements. »
- « Les jeunes enfants doivent être surveillés avec attention lorsqu'ils sont dans la même pièce que l'appareil. Les tout-petits, les jeunes enfants et autres sont susceptibles de se brûler par contact accidentel. Une barrière physique est recommandée s'il y a des personnes à risque dans la maison. Pour restreindre l'accès à un foyer ou un poêle, poser un portillon de sécurité ajustable de manière à garder les tout-petits, les jeunes enfants et autres personnes à risque hors de la pièce et à l'écart des surfaces chaudes. »
- Pour les appareils nécessitant une barrière, comme déterminé sous la Clause 5.15.4 : « Un écran de protection conçu pour réduire le risque de brûlures au contact de la vitre est fourni avec cet appareil et doit être installé afin de protéger les enfants et les autres personnes à risque. »
- « Si l'écran est endommagé, il doit être remplacé par un écran conçu par le fabricant pour cet appareil. »
- « Ne pas placer de vêtements ou autres matières inflammables sur ou à proximité de l'appareil. »
- « Tout écran, grille ou barrière de sécurité enlevé lors de l'entretien de l'appareil doit être remis en place avant d'utiliser l'appareil » (voir Clause 4.1.6).
- « L'installation et les réparations doivent être effectuées par un technicien d'entretien qualifié. L'appareil doit être inspecté avant l'utilisation et au moins une fois par an par un technicien d'entretien qualifié. Un nettoyage plus fréquent peut être nécessaire en cas de présence excessive de peluches de moquette, de matériaux de literie, etc. Il est impératif que les compartiments de commande, les brûleurs et les ouvertures de circulation d'air de l'appareil restent bien propres. »
- Les instructions pour un appareil conçu pour l'utilisation de portes vitrées (ou équivalent) en option devront indiquer : « Utiliser uniquement des portes homologuées pour cet appareil. »
- Les instructions pour un appareil non conçu pour l'utilisation de portes vitrées (ou équivalent) devront souligner le fait que l'appareil ne doit pas être utilisé avec des portes vitrées.
- S'il y a lieu, prévoir un moyen permettant à l'utilisateur d'identifier la barrière de protection (représentation graphique, description claire ou marquage de référence).

AVERTISSEMENT

RISQUE D'INTOXICATION AU MONOXYDE DE CARBONE

Pour écarter les risques d'intoxication au monoxyde de carbone et de mort, veiller à bien respecter les instructions ci-dessous pour chaque appareil mis en service et raccordé au système d'évacuation. Les instructions suivantes doivent être exécutées pour chaque appareil raccordé au système d'évacuation et étant mis en service, alors que tous les autres appareils raccordés au système d'évacuation ne sont pas en marche :

- Fermer hermétiquement toutes les ouvertures inutilisées du système d'évacuation.
- Vérifier que la taille du système d'évacuation et la pente des portions horizontales sont conformes au *National Fuel Gas Code ANSI Z223.1/NFPA 54* ou au *Code d'installation du gaz naturel et du propane CSA B149.1* et à ces instructions. S'assurer qu'il n'y a aucune obstruction, restriction, fuite, corrosion ou autre faiblesse susceptible de créer une situation dangereuse.
- Dans la mesure du possible, fermer toutes les portes et fenêtres du bâtiment et toutes les portes entre l'espace dans lequel le ou les appareils raccordés au système d'évacuation sont installés et les autres espaces du bâtiment.
- Fermer les registres de cheminée.
- Mettre en marche les sècheuses de linge et tout appareil non raccordé au système d'évacuation. Mettre en marche les ventilateurs d'extraction, tels que hottes de cuisine et extracteurs de salle de bain, sont en marche à leur vitesse maximale. Ne pas faire fonctionner de ventilateur d'extraction d'été.
- Suivre les instructions d'allumage. Mettre l'appareil à contrôler en marche. Régler le thermostat de manière à faire fonctionner l'appareil en continu.
- Vérifier l'absence de débordement des appareils équipés de coupe-tirage au niveau de l'ouverture de décharge du coupe-tirage après 5 minutes de marche du brûleur principal. Utiliser la flamme d'une allumette ou d'une bougie.
- Si un problème d'évacuation est observé au cours de l'un des essais ci-dessus, le système d'évacuation doit être corrigé conformément au *National Fuel Gas Code, ANSI Z223.1/NFPA*, ou au *Code d'installation du gaz naturel et du propane, CSA B149.1*.
- Après qu'il a été déterminé que chaque appareil raccordé au système d'évacuation évacue correctement les gaz brûlés lors des essais décrits ci-dessus, remettre les portes, fenêtres, ventilateurs d'extraction, registres de cheminée et tout autre appareil au gaz dans leur état d'utilisation antérieur.

CONSIGNES DE SÉCURITÉ POUR LES UTILISATEURS DE GAZ PROPANE

Le propane est un gaz inflammable pouvant provoquer des incendies et des explosions. À l'état naturel, le propane est inodore et incolore. Vous ne connaissez peut-être pas toutes les mesures de précautions suivantes, qui peuvent vous protéger, vous et votre famille, contre les accidents. Veuillez les lire attentivement maintenant, puis les relire point par point avec les membres de votre famille. Un jour lorsqu'il n'y aura pas une minute à perdre, la sécurité de tout le monde dépendra du savoir-faire exact. Si après avoir lu les informations ci-dessous, vous croyez avoir besoin de plus d'information, veuillez contacter votre fournisseur de gaz.

ODEUR CARACTÉRISTIQUE DU PROPANE

En cas de fuite de gaz, une odeur de gaz doit être perceptible parce que le gaz propane contient un odorisant. C'est un signal qui demande une action immédiate!

- Ne pas actionner d'interrupteur électrique, allumer d'allumette, ni utiliser le téléphone. Ne faites rien qui pourrait allumer le gaz.
- Faire sortir tout le monde du bâtiment, du véhicule, de la caravane ou de la zone. Faire cela IMMÉDIATEMENT.
- Fermer tous les robinets de réservoir ou de bouteille de gaz.
- Le gaz propane est plus lourd que l'air et peut s'accumuler dans les zones basses telles que les sous-sols. Si une fuite de gaz est soupçonnée, rester hors des sous-sols et de toute autre zone basse. Rester à l'extérieur jusqu'à ce que les pompiers déclarent les lieux sans danger.
- Depuis une maison voisine, téléphoner à un réparateur spécialisé en propane et aux pompiers. Ne pas rouvrir le gaz, même si l'odeur n'est plus perceptible. Ne pas rentrer dans le bâtiment, le véhicule, la caravane ou la zone.
- Enfin, laisser le réparateur et les pompiers vérifier l'absence de gaz. Leur faire aérer la zone avant d'y revenir. Du personnel de réparation formé au gaz propane devra réparer la fuite, puis contrôler et rallumer l'appareil au gaz.

AUCUNE ODEUR DÉTECTÉE - AFFAIBLISSEMENT DE L'ODEUR

Certaines personnes ont l'odorat peu développé. Certaines personnes ne sentent pas l'odeur de l'additif intégré au gaz. Veiller à déterminer si on parvient à sentir l'odorisant dans le propane. La cigarette peut réduire le sens de l'odorat. La présence d'une odeur pendant un certain temps peut altérer la sensibilité ou la capacité à détecter cette odeur. Parfois, d'autres odeurs présentes masquent l'odeur de gaz. Il est possible qu'on ne sente pas l'odeur de gaz ou qu'on ait l'esprit ailleurs. Le fait de penser à l'odeur du gaz peut rendre la tâche plus facile.

L'odorisant dans le gaz propane est incolore et peut s'estomper sous certaines conditions. Par exemple, en cas de fuite souterraine, le passage du gaz à travers le sol peut filtrer l'odorisant. Les odorisants du propane peuvent aussi s'oxyder. L'affaiblissement peut se produire en présence de rouille dans la cuve ou dans les conduites de gaz en fonte. L'odorisant présent dans le gaz échappé peut être absorbé ou absorbé dans les murs, la maçonnerie et autres matériaux ou tissus dans la pièce. Cela réduit la quantité d'odorisant dans le gaz et donc l'intensité de l'odeur.

Le gaz propane peut s'accumuler par couches dans les espaces clos et l'odeur peut varier avec la hauteur. Comme il est plus lourd que l'air, l'odeur peut être plus forte aux niveaux inférieurs. Veiller à toujours être sensible à la moindre odeur de gaz. Si une odeur est détectée, la considérer comme une fuite grave. Réagir immédiatement comme indiqué plus haut.

CERTAINS POINTS À GARDER À L'ESPRIT

- **Apprendre à reconnaître l'odeur du gaz propane.** Le fournisseur de gaz propane local peut fournir une brochure « gratter pour sentir ». Veiller à s'en servir pour apprendre à reconnaître l'odeur du propane. Si le gaz propane utilisé semble avoir une odeur faible ou anormale, appeler le fournisseur de gaz.
- Ne pas allumer de veilleuse, effectuer d'entretien ni modifier de réglage sur des appareils au propane si on n'est pas qualifié pour cela. Si on est qualifié, bien penser à l'odeur de gaz propane avant et pendant l'allumage de veilleuses, l'entretien ou la modification de réglages.
- Les sous-sols et les maisons non aérées peuvent avoir une odeur de moisi pouvant masquer l'odeur du gaz propane. Ne pas tenter d'allumer des veilleuses ni d'effectuer d'entretien ou de réglage dans un endroit où les conditions sont telles que l'odeur peut ne pas être détectable en cas de fuite de gaz propane.
- L'affaiblissement de l'odeur, par oxydation sur la rouille ou adsorption par les parois de bouteilles ou de cuves neuves, est possible. Il importe donc d'être particulièrement vigilant et prudent lors de la mise en service de bouteilles ou cuves neuves. L'affaiblissement d'odeur peut se produire dans les cuves neuves ou remises en service, si elles sont remplies et laissées comme telles trop longtemps avant le remplissage suivant. Les bouteilles et les cuves mises hors service pendant un certain temps peuvent développer de la rouille à l'intérieur, causant un affaiblissement d'odeur. Si une telle situation est suspectée, il est conseillé de vérifier s'il y a une odeur du gaz à intervalles réguliers. **Pour toute question concernant l'odeur du gaz, appeler le fournisseur de gaz propane. Un contrôle périodique de l'odeur du gaz propane est une bonne mesure de précaution dans toutes circonstances.**
- Si, à tout moment, l'odeur de l'odorisant du gaz propane n'est pas perceptible alors qu'elle devrait l'être, présumer qu'il y a une fuite. Prendre les mêmes mesures immédiates que celle préconisée plus haut lorsque le gaz propane odorisé est détecté.
- En cas « d'épuisement total du gaz » (plus de pression de vapeur dans le réservoir), fermer immédiatement le robinet du réservoir. Si le robinet est laissé ouvert, le réservoir peut aspirer de l'air à travers des ouvertures telles les orifices de la veilleuse. Cela peut causer une nouvelle formation de rouille à l'intérieur. Lorsque le robinet a été laissé ouvert, traiter le réservoir comme une cuve neuve. Pour s'assurer que le réservoir est toujours sous pression de vapeur, fermer le robinet ou refaire le plein du réservoir avant qu'il soit complètement vide.

EXIGENCES POUR LE MASSACHUSETTS

Pour tout appareil au gaz à ventilation horizontale murale posé dans des habitations, bâtiments ou structures utilisés exclusivement ou partiellement à des fins résidentielles, y compris ceux détenus ou exploités par le Commonwealth et pour lesquels la bouche d'évacuation murale est à moins de sept pi au-dessus du niveau fini du sol dans la zone de ventilation, y compris sans toutefois s'y limiter, les terrasses et vérandas, les exigences suivantes doivent être satisfaites :

1. POSE DE DÉTECTEURS DE MONOXYDE DE CARBONE. Lors de l'installation du matériel alimenté au gaz à évacuation horizontale latérale, le plombier ou l'installateur-chauffagiste doit s'assurer qu'un détecteur de monoxyde de carbone câblé sur le secteur avec alarme et pile de secours est installé à l'étage où doit être posé le matériel au gaz. En outre, le plombier ou l'installateur-chauffagiste doit s'assurer qu'un détecteur de monoxyde de carbone à pile ou câblé sur le secteur avec alarme est installé à chaque autre étage de l'habitation, du bâtiment ou de la structure desservie par le matériel au gaz à évacuation horizontale murale. Il incombe au propriétaire immobilier de s'assurer les services de professionnels qualifiés et agréés pour l'installation des détecteurs de monoxyde de carbone câblés.

- a. Si l'équipement au gaz à évacuation horizontale murale est installé dans un vide sanitaire ou un grenier, le détecteur de monoxyde de carbone câblé avec alarme et pile de secours doit être posé à l'étage immédiatement adjacent.
- b. Si les exigences de la présente sous-section ne peuvent pas être satisfaites à l'achèvement de la pose, le propriétaire devra disposer d'une période de trente jours pour se conformer aux exigences ci-dessus pour autant, toutefois, que durant ladite période de trente jours, un détecteur de monoxyde de carbone à pile et alarme soit posé.

2. DÉTECTEURS DE MONOXYDE DE CARBONE HOMOLOGUÉS. Chaque détecteur de monoxyde de carbone prévu par les dispositions ci-dessus doit être conforme à la norme NFPA 720 et être homologué ANSI/UL 2034 et certifié IAS.

3. SIGNALÉTIQUE. Une plaque signalétique en métal ou en plastique devra être apposée en permanence à l'extérieur du bâtiment à une hauteur minimale de huit pi au-dessus du sol directement en ligne avec la terminaison d'évacuation pour l'appareil ou le matériel de chauffage au gaz ventilé horizontalement. La plaque doit porter, en caractères d'au moins 1/2 po (13 mm), l'inscription « **ÉVACUATION DE GAZ DIRECTEMENT CI-DESSOUS. ÉVITER TOUTE OBSTRUCTION.** »

4. INSPECTION. L'inspecteur local de gaz de l'équipement au gaz à évacuation horizontale murale n'approuvera pas l'installation à moins que, lors de l'inspection, l'inspecteur observe des détecteurs de monoxyde de carbone et une signalisation installés conformément aux provisions de 248 CMR 5.08(2)(a) 1 à 4.

(b) EXEMPTIONS : L'équipement suivant est exempt de 248 CMR 5.08(2)(a) 1 à 4 :

1. Le matériel spécifié au Chapitre 10 « Équipement ne nécessitant pas d'évacuation » de l'édition la plus récente de NFPA 54 adoptée le Conseil ; et
2. Le matériel au gaz à évacuation horizontale latérale agréé installé dans un local ou une structure séparés de l'habitation, bâtiment ou structure utilisée exclusivement ou partiellement à des fins résidentielles.

(d) EXIGENCES DU FABRICANT - SYSTÈME D'ÉVACUATION DE MATÉRIEL AU GAZ NON FOURNI. Lorsqu'un fabricant d'équipement au gaz à évacuation horizontale murale agréé ne fournit pas les pièces pour évacuer les gaz brûlés, mais identifie des « systèmes d'évacuation spéciaux », les exigences suivantes doivent être satisfaites par le fabricant :

1. Les instructions relatives au « système d'évacuation spécial » indiqué doivent être incluses aux instructions d'installation de l'appareil ou de l'équipement ; et
2. Le « système d'évacuation spécial » doit être agréé par le Conseil et les instructions pour ce système doivent inclure une nomenclature des pièces et des instructions de pose détaillées.

(e) Une copie de toutes les instructions d'installation de tout équipement au gaz à évacuation horizontale murale, de toutes les instructions d'évacuation, de toutes les listes de pièces pour des instructions d'évacuation et/ou de toutes les instructions de configuration d'évacuation doivent rester avec l'appareil ou le matériel à l'achèvement de l'installation.

INTRODUCTION

Les renseignements contenus dans ce manuel s'appliquent à tous les modèles et à tous les systèmes de commande du gaz, sauf indication contraire.

Instructions pour l'installateur

1. Laisser ce manuel au propriétaire.
2. Demander au propriétaire de remplir la Carte d'enregistrement du produit ou d'effectuer l'enregistrement en ligne à www.empirecomfort.com.
3. Montrer au propriétaire comment démarrer et faire fonctionner le foyer.

Notes à l'installateur

- Ce foyer est conçu pour :
 - Fonctionner avec de l'air de combustion prélevé de l'extérieur du bâtiment.
 - Évacuer tous les gaz de combustion hors du bâtiment.
- L'installation doit être conforme aux codes locaux ou, en l'absence de codes locaux, au National Fuel Gas Code ANSI Z223.1/NFPA 54* ou au Code d'installation du gaz naturel et du propane, CSA B149.1 au Canada. * Disponible auprès de l'American National Standards Institute, Inc. 11 West 42nd St., New York, N.Y. 10036.
- Toute modification de la configuration d'origine, installation autre que celles présentées dans ces instructions ou utilisation d'un type de gaz non spécifié sur la plaque signalétique relève de la responsabilité de la personne ou de l'entreprise effectuant la modification.
- Ce foyer n'est pas conçu pour brûler des combustibles solides.
- Ces modèles peuvent être posés dans une chambre à coucher ou dans une chambre-salon aux États-Unis et au Canada.

AVERTISSEMENT

Toute modification de ce foyer peut être dangereuse. Une installation ou une utilisation incorrecte du foyer peut provoquer des blessures graves ou la mort par incendie, des brûlures, une explosion ou une intoxication au monoxyde de carbone.

Certification de l'appareil

La conception de ce foyer est certifiée conforme aux normes American National Standard/CSA ANSI Z21.88/CSA 2.33 par Underwriters Laboratories en tant qu'appareil de chauffage au gaz à évacuation directe et l'appareil doit être installé conformément aux présentes instructions.

Consulter les autorités compétentes en matière de code du bâtiment avant la pose, pour assurer la conformité avec les codes en vigueur, notamment concernant les permis et inspections.

Le foyer, lors de son installation, doit être électriquement relié à la terre en conformité avec les codes locaux ou, en l'absence de codes locaux, avec le National Electric Code ANSI/NFPA 70 ou le Code canadien de l'électricité, CSA C22.1, si une source électrique externe est utilisée.

Service d'installation qualifié

L'installation et le remplacement de conduites de gaz, d'appareils alimentés au gaz ou d'accessoires et la réparation et l'entretien du matériel doivent être confiés à un service qualifié. Le terme « service qualifié » fait référence à toute personne, firme, société ou entreprise qui, soit en personne soit par l'intermédiaire d'un représentant, exécute et est responsable (a) de l'installation ou du remplacement de conduites de gaz ou (b) du raccordement, de l'installation, de la réparation ou de l'entretien de matériel, qui est expérimentée dans ce domaine, familiarisée avec toutes les mesures de précaution requises et qui s'est conformée à toutes les exigences réglementaires en vigueur.

Commonwealth du Massachusetts : L'installation doit être effectuée par un plombier ou un installateur-chauffagiste agréé dans le Commonwealth du Massachusetts.

Haute altitude (États-Unis)

Lors de la pose du foyer à une altitude de plus de 2 000 pi (610 m) (aux États-Unis), il peut être nécessaire de réduire la capacité d'entrée en remplaçant l'orifice de brûleur par un modèle plus petit. Habituellement, l'entrée doit être réduite de 4 % pour chaque augmentation d'altitude de 1 000 pi (305 m) au-dessus du niveau de la mer. Toutefois, si le pouvoir calorifique du gaz a été réduit, cette règle générale ne s'applique pas. Consulter la compagnie de gaz locale utilisée par Empire Comfort System pour connaître la taille d'orifice qui convient.

Haute altitude (CANADA)

Altitude : 0 - 4 500 pi (0 - 1 370 m)

Lors de l'installation de ce foyer à une altitude supérieure à 4 500 pi (1 370 m) (au Canada), vérifier auprès des autorités locales. Obtenir l'assistance de la compagnie de gaz locale pour déterminer l'orifice qui convient pour le lieu.

INFORMATION DE RÉFÉRENCE DU PROPRIÉTAIRE

Nous vous recommandons d'enregistrer les informations suivantes concernant votre foyer.

Numéro de modèle: _____ Date d'achat: _____

Numéro de série: _____ Emplacement de la cheminée: _____

Le nom du revendeur: _____ Téléphone du concessionnaire: _____

Remarques: _____

À L'ATTENTION DE L'INSTALLATEUR

LISTE DE VÉRIFICATION D'INSTALLATION DU FOYER

Utiliser cette liste de vérification en conjonction avec les instructions de ce manuel.

Client : _____ Date d'installation : _____
Lot/adresse : _____ Emplacement du foyer : _____
Modèle : **DVCTL60CFP95N** Installateur : _____
N° de série : _____ N° tél. revendeur : _____

INSTALLATION DU FOYER

Vérifié les dégagements par rapport aux matières combustibles (p. 16) _____
Le foyer est de niveau et solidement attaché _____

ÉVACUATION/CHEMINÉE/DISTRIBUTION DE CHALEUR PowerFlow™

La configuration de l'évacuation est conforme aux diagrammes (p. 28 et 29) _____
Évacuation installée, calée, solidement fixée avec les dégagements corrects _____
Coupe-feu installés _____
Solin de toit ou mur extérieur installé et scellé _____
Évents d'extrémité installés et scellés (p. 29 et 31) _____
Allumer l'appareil et vérifier l'évacuation avant d'enfermer le foyer _____

INSTALLATION ÉLECTRIQUE (p. 45 et 46)

Alimentation non commutée (110-120 V CA) fournie au foyer _____

GAZ (p. 19)

Appareil approprié pour le type de combustible _____
Une conversion a-t-elle été effectuée? Oui Non
Essai d'étanchéité effectué et pression d'admission vérifiée _____

FINITION (p. 23)

Vérifié que tous les dégagements sont conformes aux indications du manuel d'installation _____
Manteaux et projections murales conformes aux exigences _____
Finition Granit ou Clean Face conforme écran exigences de dégagement _____
Protection de vitre frontale correctement installée _____

MISE EN SERVICE DU FOYER

Tous les matériaux d'emballage et de protection retirés (à l'intérieur et l'extérieur du foyer) _____
Matériau installé correctement _____
Porte vitrée du foyer nettoyée, mise en place et fixée _____
Accessoires montés correctement _____
Démarré le foyer et vérifié l'absence de fuites de gaz _____
Enveloppe du manuel et tout son contenu sortis du foyer et remis au propriétaire _____

Empire recommande ce qui suit :

- Garder cette liste de vérification bien en vue sur le foyer jusqu'à ce que l'installation soit terminée.
- Photographier l'installation et conserver une copie cette liste de vérification dûment remplie.

Observations : Description supplémentaire de tout problème, du responsable (installateur/entrepreneur/autre, etc) et les mesures correctives nécessaires :

Observations communiquées à la partie responsable _____ par _____ le _____

AVANT DE COMMENCER

Exemples, Mises en Garde et Définitions :

DANGER

Indique une situation dangereuse qui, si elle n'est pas évitée, provoquera la mort ou des blessures graves.

AVERTISSEMENT

Indique une situation dangereuse qui, si elle n'est pas évitée, pourrait provoquer la mort ou des blessures graves.

ATTENTION

Indique une situation dangereuse qui, si elle n'est pas évitée, pourrait provoquer des blessures bénignes ou légères.

AVIS : Concerne des pratiques sans rapport avec des blessures corporelles.

Lire toutes les instructions avant de commencer l'installation et les suivre avec attention pour assurer la sécurité. Le non-respect des instructions invalide la garantie et peut présenter un risque d'incendie.

La garantie est annulée par les actions suivantes, pour lesquelles le garant décline toute responsabilité :

- Installation par toute autre entité que le détaillant ou son représentant.
- Installation d'un foyer endommagé ou comprenant un élément endommagé.
- Modification du foyer ou du système d'évacuation directe.
- Installation non conforme aux instructions d'Empire Comfort Systems.
- Mauvais positionnement des bûches, de la porte vitrée ou des accessoires.
- Installation et/ou utilisation de tout élément non fabriqué ni approuvé par Empire Comfort Systems.

Toute correspondance doit comporter le numéro de modèle complet, le numéro de série et le type de gaz. Remplir la section Information de référence pour le propriétaire à la page 6.

Déballage du foyer

1. Enlever les panneaux extérieurs ou la caisse en retirant les vis.
2. Couper et retirer le matériau d'emballage rétrécissable autour de l'appareil. Conserver le manuel ainsi que les feuilles d'instructions.
3. Se faire aider pour soulever l'appareil de la palette à l'aide des poignées.
4. Enlever le panneau non combustible de la palette et le placer dans un endroit sûr. Il sera nécessaire pour l'installation.
5. Le lit de braises peut demeurer dans l'appareil jusqu'à son installation dans le mur. La feuille d'instructions à partir de l'étape 2 montre la manière de retirer l'écran de protection et la porte en verre.

Considérations Concernant les Téléviseurs

L'installation d'un téléviseur au-dessus d'un foyer est devenue de plus en plus populaire; cependant, l'espace au-dessus de tout foyer devient chaud et la plupart des fabricants de téléviseurs déconseillent d'installer leurs produits à proximité d'une source de chaleur.

Si un téléviseur est installé au-dessus de ce foyer, noter qu'Empire Comfort Systems décline toute responsabilité en cas de dommage ou blessures. Observer les instructions d'installation du fabricant du téléviseur, ainsi que toutes les recommandations concernant la proximité avec les sources de chaleur.

Si un téléviseur est placé au-dessus du foyer, éteindre le foyer et le laisser refroidir complètement avant de faire l'entretien ou de toucher les boutons du téléviseur.

AVANT DE COMMENCER (SUITE)

Préparation

Le foyer et ses composants sont sans danger s'ils sont installés conformément aux instructions du présent manuel. Déclarer au revendeur tous les dommages subis durant le transport. Ne pas installer le foyer à l'aide de pièces endommagées, incomplètes ou de substitution.

Considérations concernant l'installation :

- Conduites d'alimentation de gaz – entrée à droite
- Alimentation électrique et branchements
- 120 V, 60 Hz, 2 A
- Entrée à droite
- Surfaces de montage autorisées pour le foyer :
- Une surface combustible ou non combustible dure et plate
- Une plateforme surélevée de matériau combustible ou non combustible.
- Les quatre coins du foyer doivent reposer sur un matériau non combustible pour que le contact s'effectue sur les quatre bords du périmètre de la base du foyer, comme sur des blocs de béton (si cela est autorisé par les codes locaux).
- Si le foyer est posé directement sur de la moquette, du carrelage ou autre matériau combustible autre qu'un plancher en bois, poser le foyer sur un panneau en métal ou en bois couvrant la largeur et la profondeur entières du foyer.
- La conception de l'enceinte de ce foyer permet de l'installer sans dégagement des matériaux combustibles. Cela signifie qu'un matériau combustible peut être en contact avec les entretoises sur le côté et que le foyer peut être fixé à une charpente combustible à l'aide des supports pour charpente fournis.

Préparer l'installation

Déterminer d'abord l'emplacement du foyer et les accessoires à installer.

L'emplacement doit permettre ce qui suit :

- Évacuation en sortie verticale ou horizontale. Choisir une configuration d'évacuation (**voir pages 25 à 32**) et s'assurer que l'accès nécessaire à travers le grenier ou les murs n'est pas bloqué par d'autres services comme les tuyaux d'eau, les évènements d'égout, les conduites de gaz, etc. Si l'accès est bloqué, il faudra déplacer ces services ou trouver un autre emplacement pour le foyer.
- Conduites d'alimentation de gaz (entrée à droite) – consulter les dimensions de conduite et les spécifications à la **page 19**.
- Alimentation électrique (120 V, 60 Hz, 1 A) (entrée à droite)
- Charpente adéquate nécessaire pour installer le foyer. Se reporter aux dimensions de charpente à la **page 22**.
- Finition du foyer – L'épaisseur de la cloison sèche, des carreaux ou de la pierre ainsi que les garnitures décoratives en option peuvent influencer sur la façon de construire l'ossature de l'ouverture et la manière de fixer les brides de clouage pour établir la bonne profondeur. Avant de commencer, voir les détails de finition à la **page 23**.

Accessoires

La plupart des accessoires se posent beaucoup plus facilement avant de positionner le foyer dans l'ouverture.

Par exemple, le temps requis pour monter la soufflerie à travers l'arrière de l'appareil est de 10 à 15 minutes, tandis que cela prendrait jusqu'à une heure après son enchâssement.

Technologie TrueFlame

Ce foyer est équipé de la technologie TrueFlame, qui produit un maximum de flammes et de rougeoiement de braises pour un minimum d'émissions. Le système comporte des brûleurs avant et arrière à commande indépendante placés dans un grand lit de braises, en plus d'un catalyseur en céramique et d'un déflecteur ajustable de l'extérieur au sommet. Une fois ajusté par le revendeur ou technicien au moment de l'installation, le système TrueFlame ne nécessite aucun ajustement ultérieur.

CONTENU DU CARTON ET QUINCAILLERIE

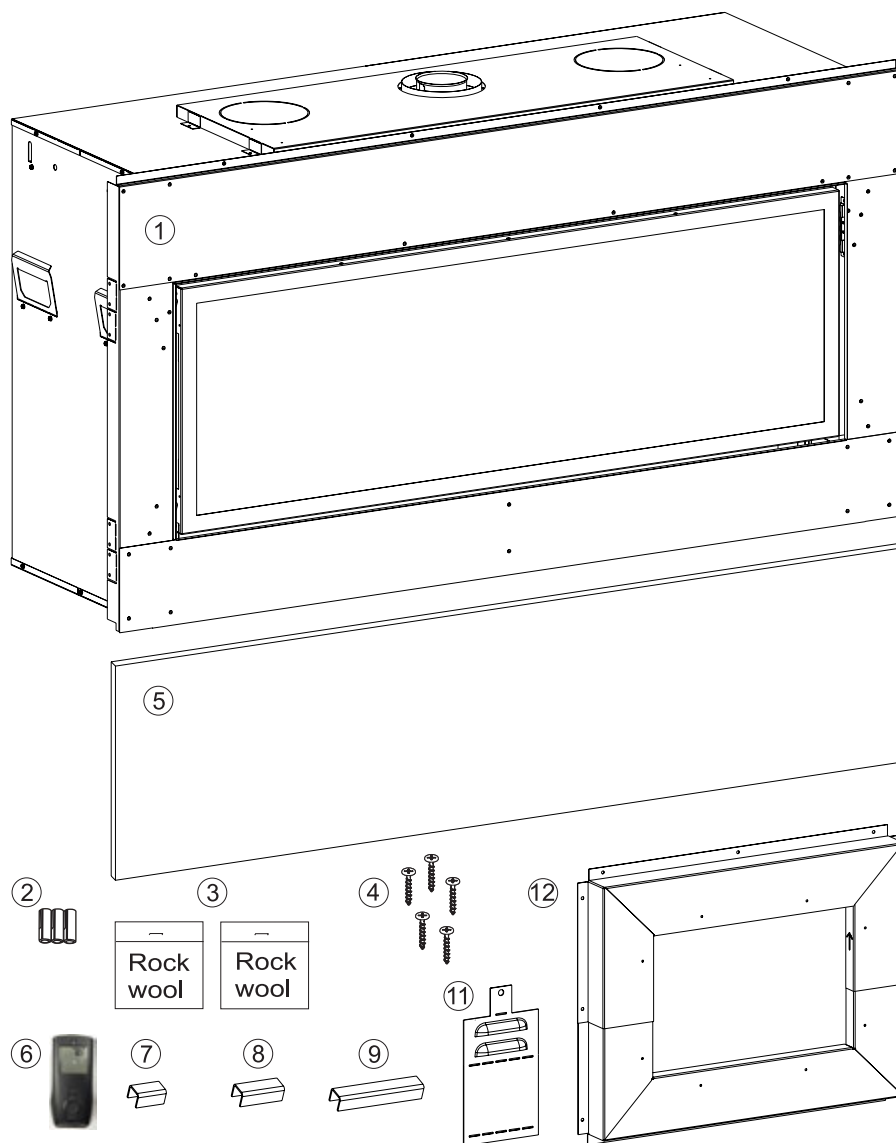


IMAGE NON
A L'ECHELLE

CONTENU DU CARTON		
Numéro d'index	La description	Quantité fournie
1	Unité	1
2	Piles AA	3
3	Rockwool	2
4	Vis à cloison sèche	5
5	Planche non combustible (sur palette)	1
6	Télécommande	1
7	Soutien, Rockwool 2 X 1	1
8	Soutien, Rockwool 3 X 1	2
9	Soutien, Rockwool 6 X 1	6
10	Lit de braises (non illustré)	1
11	Bouclier de vent élevé	1
12	Entretoise combustible	1

Voir Listes de pièces à la page 43 pour commander des pièces de rechange. Ne commandez pas de piles, boulons, vis, rondelles ou écrous. Ce sont des articles de quincaillerie standard et peuvent être achetés dans votre quincaillerie locale.

CARACTÉRISTIQUES

NUMÉRO DE MODÈLE	DVCTL60
Entrée BTU/h maximum (avec les deux brûleurs allumés)	58,000
Entrée BTU/h minimum (avec les deux brûleurs allumés)	38,000
Entrée BTU/h minimum (brûleur avant allumé uniquement)	14,500
KWH (Maximum)	17
KWH (Minimum)	11.14/4.25
Orifice - Avant	#43
Orifice - Arrière	3.1 mm
Ouverture de l'obturateur d'air avant	Entièrement fermé
Ouverture de l'obturateur d'air arrière	Entièrement fermé
Hauteur (po)	39-3/8" (990.6 mm)
Largeur (po)	74-5/8" (1879.6 mm)
Profondeur (po)	23-5/8" (584.2 mm)
Vanne d'arrêt d'admission de gaz (tuyau)	1/2 NPT

REMARQUE : L'obturateur d'air est réglé au minimum en usine. Certaines configurations de ventilation peuvent nécessiter des ajustements mineurs de l'obturateur d'air pour des performances optimales.

PRESSIONS D'ALIMENTATION EN GAZ (POUCES COLONNE D'EAU)			
Type de gaz	Maximum	Minimum	Collecteur
Naturel	14" (355.6 mm)	4.5" (114.3 mm)	3.5" (88.9 mm)
Propane	14" (355.6 mm)	10.8" (274.32 mm)	10" (254 mm)

VENTILATION	REMPACEMENT DE L'AMPOULE
4 x 6-5/8" Système de ventilation électrique	Halogène clair 35w, base bi-broches 6,35 mm, 120vac, UL

ACCESSOIRES

Les pièces accessoires suivantes peuvent être obtenues auprès de votre revendeur Empire Comfort Systems. Pour plus d'informations au-delà de ce que votre revendeur peut fournir, contactez Empire Comfort Systems Inc., 918 Freeburg Ave., Belleville, Illinois 62220-2623.

ACCESSOIRES	
Numéro De Modèle	La Description
DVP60PRFB	Doubleur, brique réfractaire rouge, fibre de céramique
DVP60PGFB	Doubleur, brique réfractaire grise, fibre de céramique
DVP60TLKR	Doubleur, verre réfléchissant noir
FBB21	Souffleur, à distance, à vitesse variable - Double
DF60T2LBLX	Cadre de fenêtre biseauté, noir texturé
DF60T2LBZT	Cadre de fenêtre biseauté, bronze huilé
DF60T2LBNB	Cadre de fenêtre biseauté, nickel brossé
DFF60TLBL	Façade décorative forgée, forgée Cadre en fer, noir
DFF60TLBZT	Façade décorative, cadre en fer forgé, Bronze huilé
DFF60TLHP	Façade décorative, cadre en fer forgé, Étain martelé

KIT DE CONVERSION	
Numéro De Modèle	La Description
43772	Kit de conversion LP (Naturel au Propane)

ENSEMBLES DE BÛCHES	
Numéro De Modèle	La Description
LS60LTF	Ensemble de bûches, traditionnel carbonisé
LS60LBF	Ensemble de bûches, Birch

TROUSSE DE RÉSILIATION	
Numéro De Modèle	La Description
HMFA	Gestion externe de la chaleur Air forcé
DVKPMP	Évent électrique horizontal Plaza
DVKCVP	Kit d'évent de conversion verticale

DIMENSIONS DU FOYER

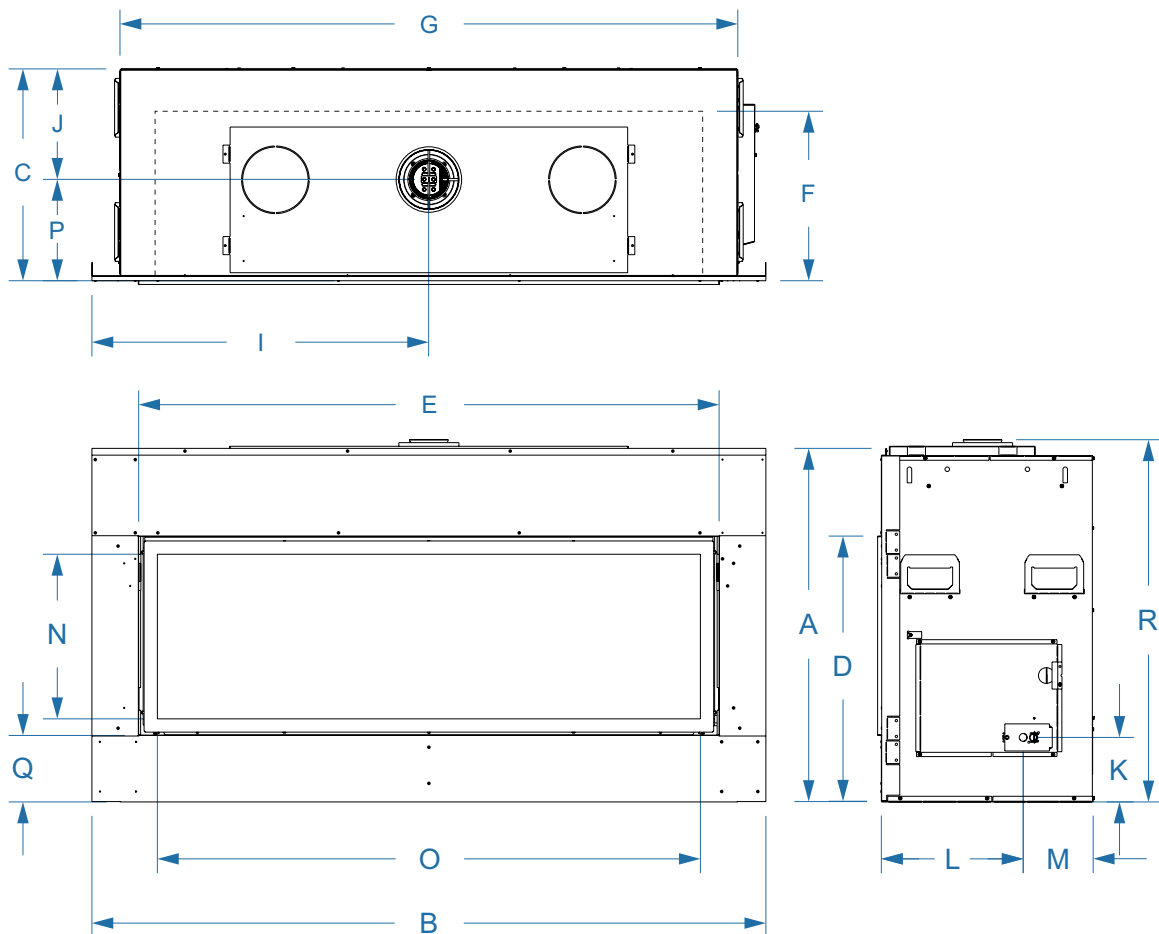


Figure 1

INDICE LETTRE	DIMENSIONS DESCRIPTIF	DIMENSIONS (EN PO)
		DVCTL60
A	La hauteur maximale de la façade du foyer	38-3/8 (965.2 mm)
B	La largeur maximale de la façade du foyer	74-5/8 (1879.6 mm)
C	La profondeur maximale de la cheminée	23-5/8 (584.2 mm)
D	La hauteur de l'ouverture de la cheminée	29-3/8 (736.6 mm)
E	La largeur de l'ouverture du foyer	64-1/4 (1625.6 mm)
F	La profondeur intérieure de la cheminée	18-1/4 (457.2 mm)
G	La largeur extérieure arrière du foyer	68-3/8 (1727.2 mm)
H	La hauteur des entretoises de cheminée	N/A
I	Largeur du côté gauche jusqu'à la ligne médiane de l'évent	37-5/16 (939.8 mm)
J	Profondeur de l'arrière à la ligne médiane de l'évent supérieur	12-3/8 (304.8 mm)
K	Hauteur du bas à l'ouverture de la conduite de gaz	14 (355.6 mm)
L	Profondeur de l'avant à l'ouverture de la conduite de gaz	18-1/4 (457.2 mm)
M	Profondeur de l'arrière à l'ouverture de la conduite de gaz	5-5/16 (127 mm)
N	Hauteur du verre	18-1/4 (457.2 mm)
O	Largeur du verre	60-1/8 (1524 mm)
P	Profondeur de l'avant à la ligne médiane de l'évent	11-1/4 (279.4 mm)
Q	Distance du sol à l'ouverture du foyer	7-3/8 (177.8 mm)
R	Hauteur du sol au col de ventilation	40-1/8 (1016 mm)

EMPLACEMENT DU FOYER

AVIS : Lors de l'installation de cet appareil contre un mur extérieur, isolez conformément aux codes d'isolation applicables.

AVIS : L'installation de l'îlot et du diviseur de pièce est possible tant que la partie horizontale du système de ventilation ne dépasse pas 18 pieds avec une longueur verticale minimale de 8 pieds. Voir les détails dans la section Ventilation.

Lorsque vous installez votre foyer à évacuation directe dans un séparateur de pièce ou à plat sur des positions de coin de mur, maintenez un minimum de 6 pouces entre le mur perpendiculaire et l'ouverture de l'appareil.

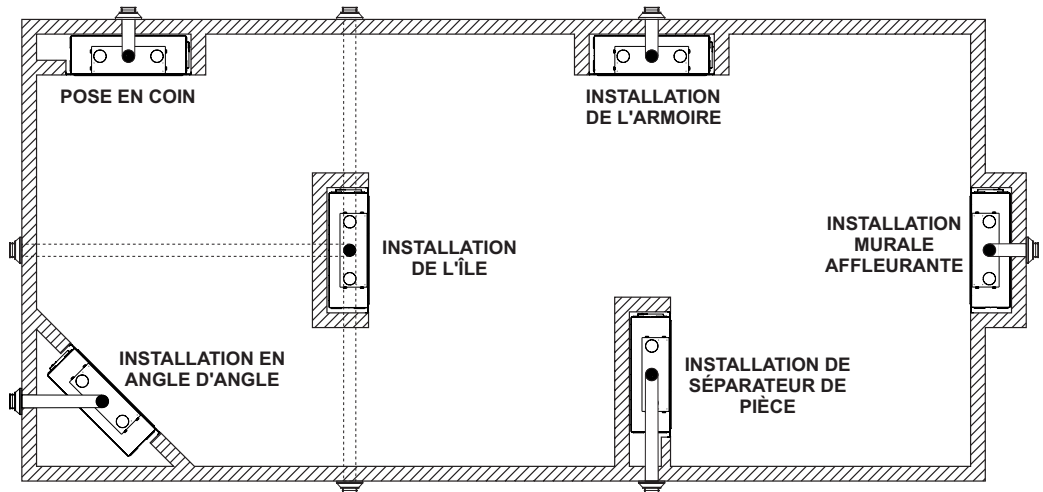


Figure 2

CONSIDÉRATIONS ÉLECTRIQUES

⚠ ATTENTION

Tout le câblage doit être effectué par un électricien qualifié et doit être conforme à tous les codes du bâtiment locaux, municipaux et nationaux. Avant d'effectuer le raccordement électrique, assurez-vous que l'alimentation électrique principale est débranchée. L'appareil, lorsqu'il est installé, doit être mis à la terre conformément aux codes locaux, ou en l'absence de codes locaux, avec le National Electrical Code ANSI/NFPA 70 (dernière édition).

Boîte de dérivation

Une boîte de jonction installée en usine est située sur le côté inférieur droit du foyer. Le câblage doit être acheminé vers la boîte de jonction et fixé avec des serre-fils aux fils d'alimentation du module de commande déjà introduits dans la boîte de jonction.

Fixez le noir à deux noir, le blanc au blanc et l'évent électrique. Le fil de terre doit être attaché à la terre sur la boîte de jonction et l'évent électrique. **Voir la figure 3.**

Étendez le fil rouge de l'unité à l'évent électrique.

AVIS : Si un appareil auxiliaire doit être utilisé, son câblage peut passer par le réducteur de tension de la boîte de jonction. La limite d'ampérage du dispositif auxiliaire est de 5 ampères.

AVIS : Un trou d'un pouce de diamètre doit être utilisé pour faire passer le câblage à travers les goujons.

CONNEXIONS DE LA BOÎTE DE JONCTION

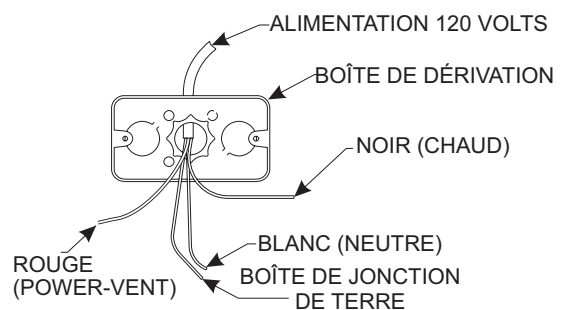


Figure 3

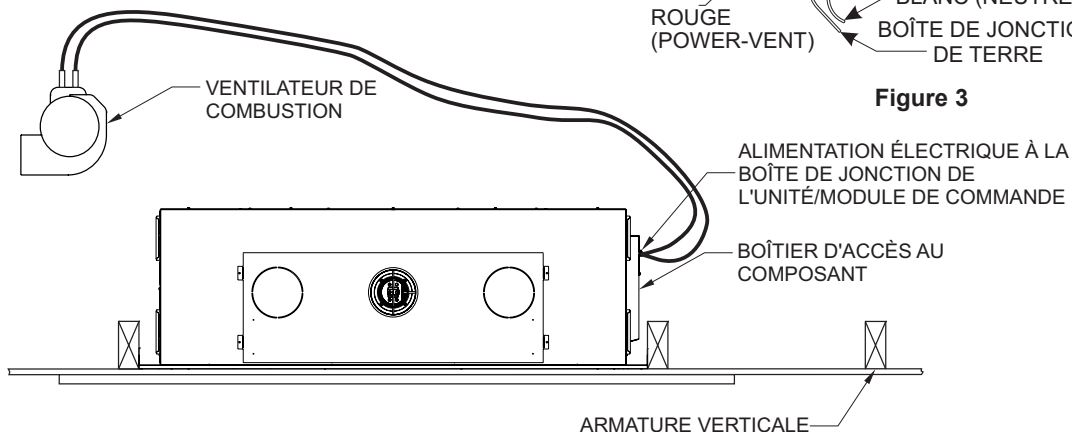


Figure 4

INSTALLATION DE LA VENTILATEUR

ATTENTION

Bords tranchants. Porter des gants protecteurs durant la pose.

Installation sur établi

1. Déposer les panneaux d'accès pour soufflerie. **Voir Figure 5.**

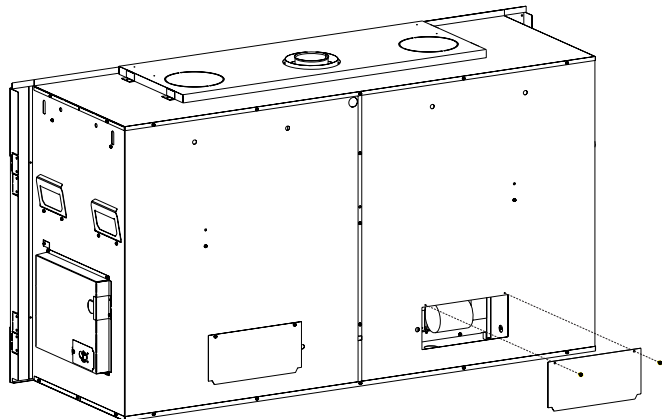


Figure 5

2. Placer les souffleries sur les supports de soufflerie. **Voir Figure 6.**

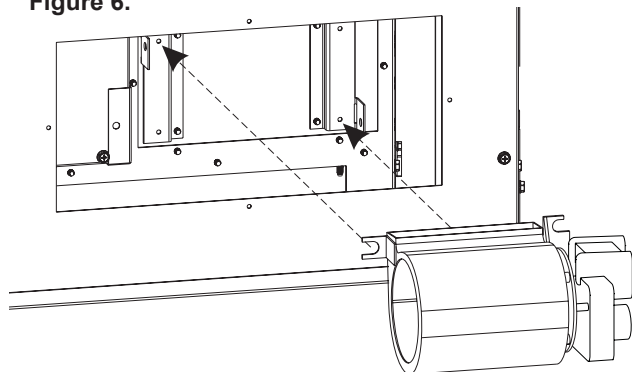


Figure 6

3. Plier la patte, tel qu'illustré à la **Figure 7** et la fixer solidement à l'aide de deux (2) vis.

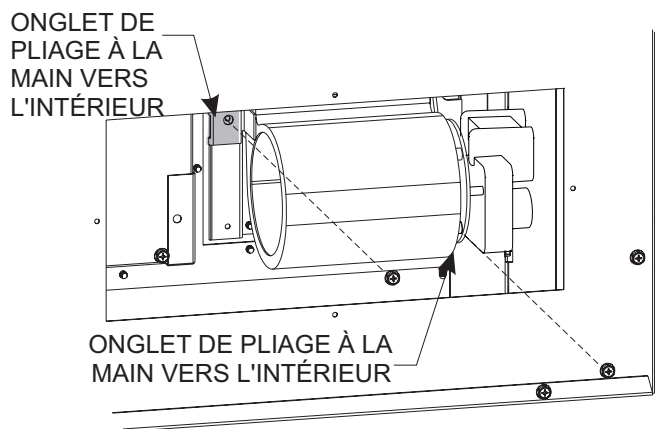
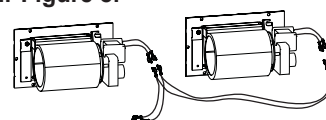
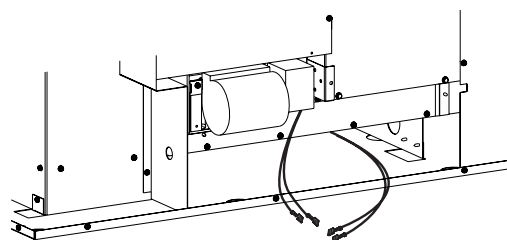


Figure 7

4. Retirer les connecteurs de protection sur le câblage du foyer et les jeter. Raccorder le faisceau de câbles aux deux souffleries et l'autre extrémité à l'ensemble de câblage fourni avec le foyer. **Voir Figure 8.**



FIL À ASSEMBLER (MODULE)



FIL À ASSEMBLER (MODULE)

Figure 8

5. Remettre en place les panneaux d'accès de soufflerie déposés à l'étape 1. **Voir Figure 5.**

Installation après que l'appareil soit installé dans le mur

1. Démontez les éléments suivants : **Voir Figure 9.**
 - Écran de protection (consulter les instructions de la section *Entretien et réparation*).
 - Encadrement de vitre (consulter les instructions de la section *Entretien et réparation*).
 - Doublures (consulter le document d'instructions distinct).

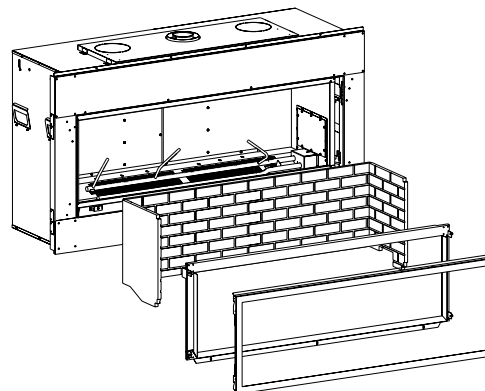


Figure 9

2. Déposer l'unité des brûleurs avant et arrière. **Voir Figure 10.**

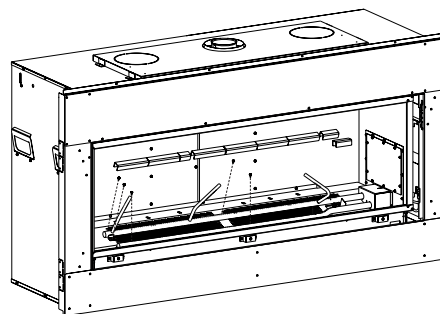


Figure 10

INSTALLATION DE LA VENTILATEUR (SUITE)

3. Déposer la plaque sous le brûleur. Voir Figure 11.

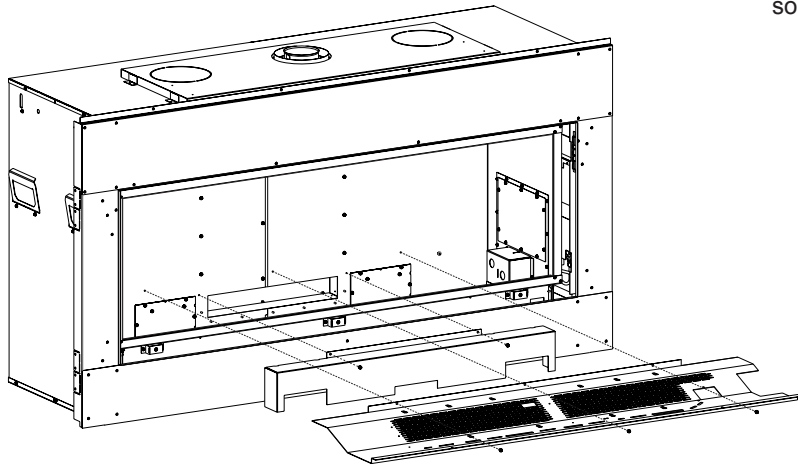


Figure 11

4. Retirer les supports de soufflerie en déposant six (6) vis sur chacune d'entre elles. Voir Figure 12.

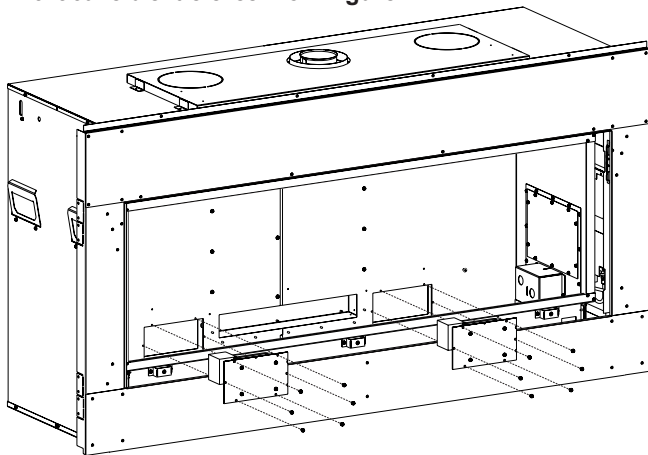


Figure 12

5. Placer la soufflerie sur ses supports. Voir Figure 13.

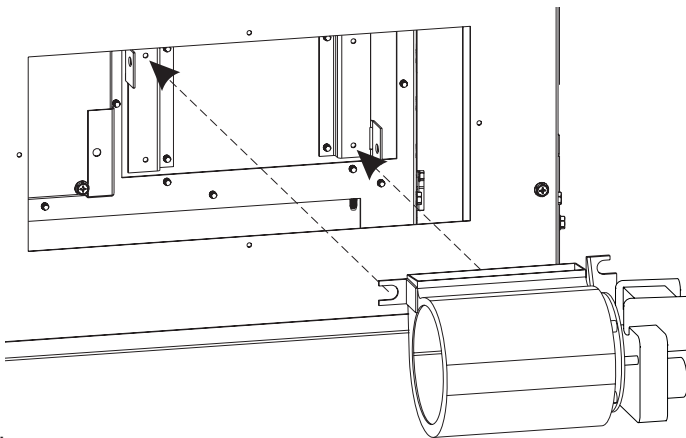


Figure 13

6. Plier la patte, tel qu'illustré à la Figure 14 et la fixer solidement à l'aide de deux (2) vis.

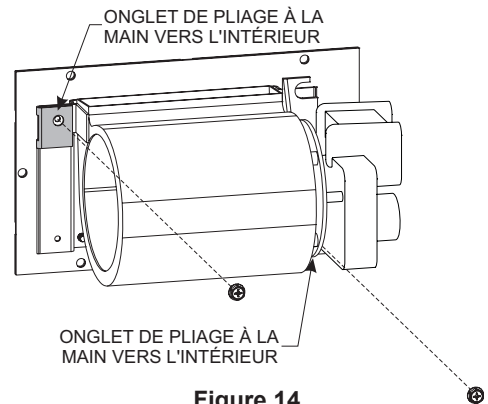


Figure 14

7. Retirer les connecteurs de protection sur le câblage du foyer et les jeter. Raccorder le faisceau de câbles aux deux souffleries et l'autre extrémité à l'ensemble de câblage fourni avec le foyer. Voir Figure 15.

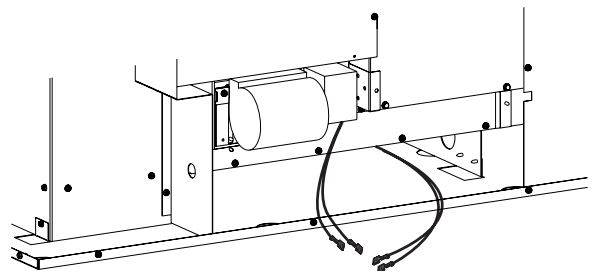
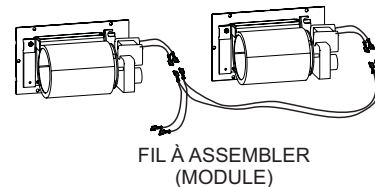


Figure 15

8. Remettre en place le support de soufflerie (les souffleries y étant fixées) à l'aide de six (6) vis chacune. Voir Figure 16.

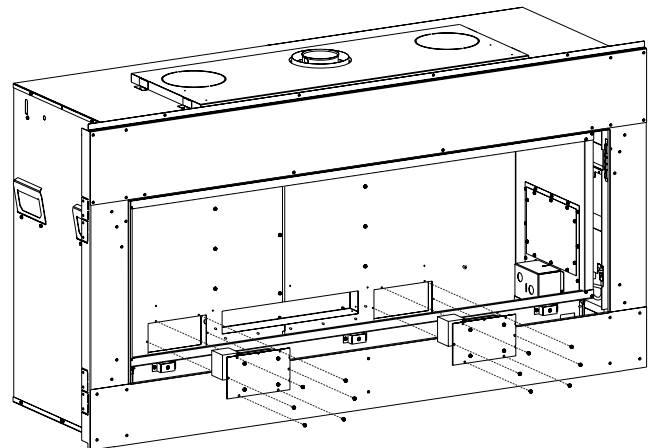


Figure 16

9. Remettre en place l'encadrement de verre, l'écran de protection et les doublures retirées à l'étape 1, Figure 9.

DÉGAGEMENTS

DÉGAGEMENT AUX COMBUSTIBLES DIMENSIONS (en pouces)

Arrière	0
Côté	3 (76.2 mm)
Sol	0
Haut de l'unité	36 (914.4 mm)

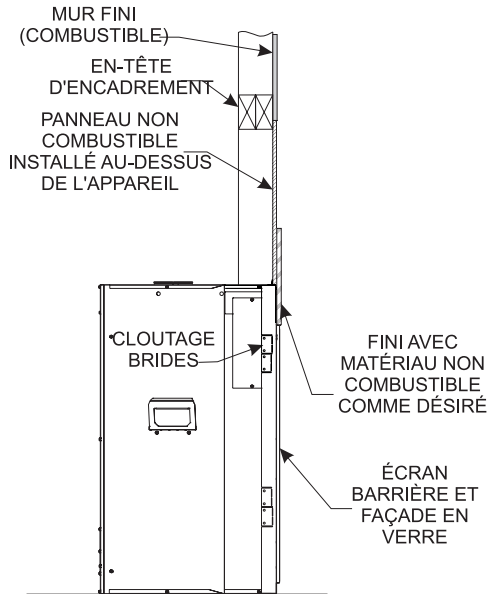


Figure 17

AVIS : Utilisez uniquement des matériaux non combustibles pour finir la façade du foyer.

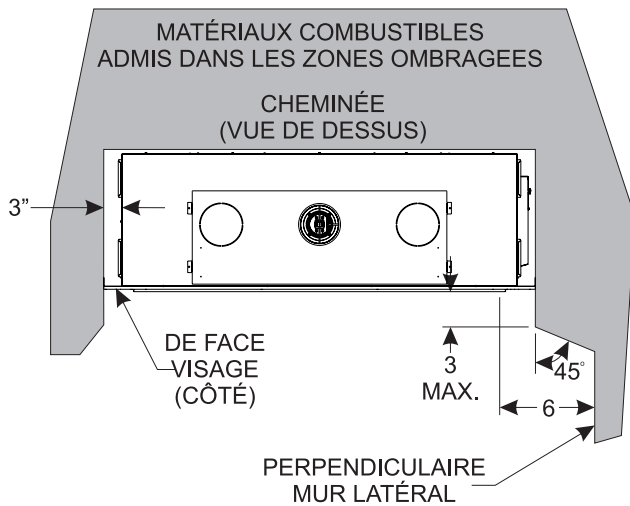
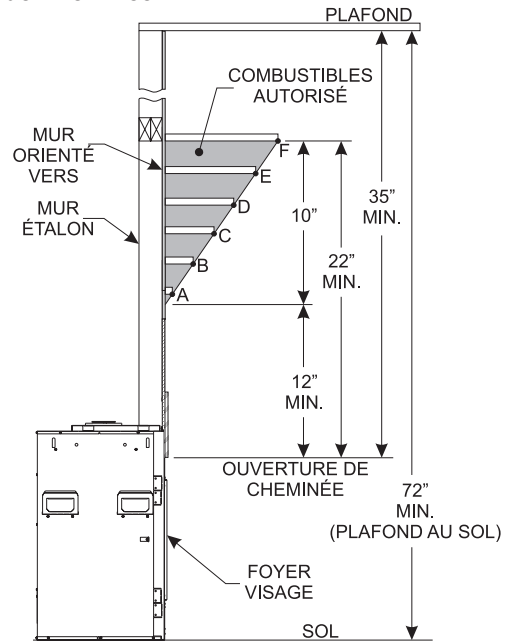


Figure 18

Tableau de Cheminée



LETTRE D'INDEX	DISTANCE DE FACE AU MUR	DISTANCE DU SOMMET D'OUVERTURE
	Dimensions (en pouces)	
A	2	12 (304.8 mm)
B	4	13-5/8 (330.2 mm)
C	6	15-5/16 (381 mm)
D	8	17 (431.8 mm)
E	10	18-5/8 (457.2 mm)
F	12	22 (558.8 mm)

Figure 19

Liquidations

Le dégagement entre l'ouverture supérieure du foyer et le plafond est de 35 pouces.

Le dégagement entre l'ouverture et la paroi latérale adjacente est de 6 pouces.

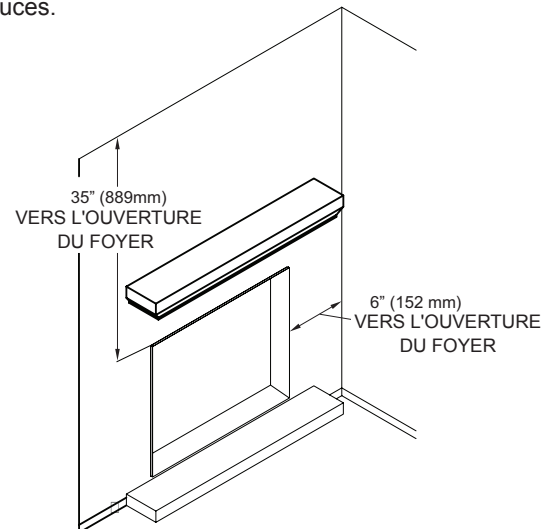


Figure 20

DÉGAGEMENTS DE TERMINAISON D'ÉVENT

DÉGAGEMENTS À LA SORTIE D'ÉVACUATION POUR LES BÂTIMENTS À PAREMENT EXTÉRIEURS COMBUSTIBLES ET NON COMBUSTIBLES.

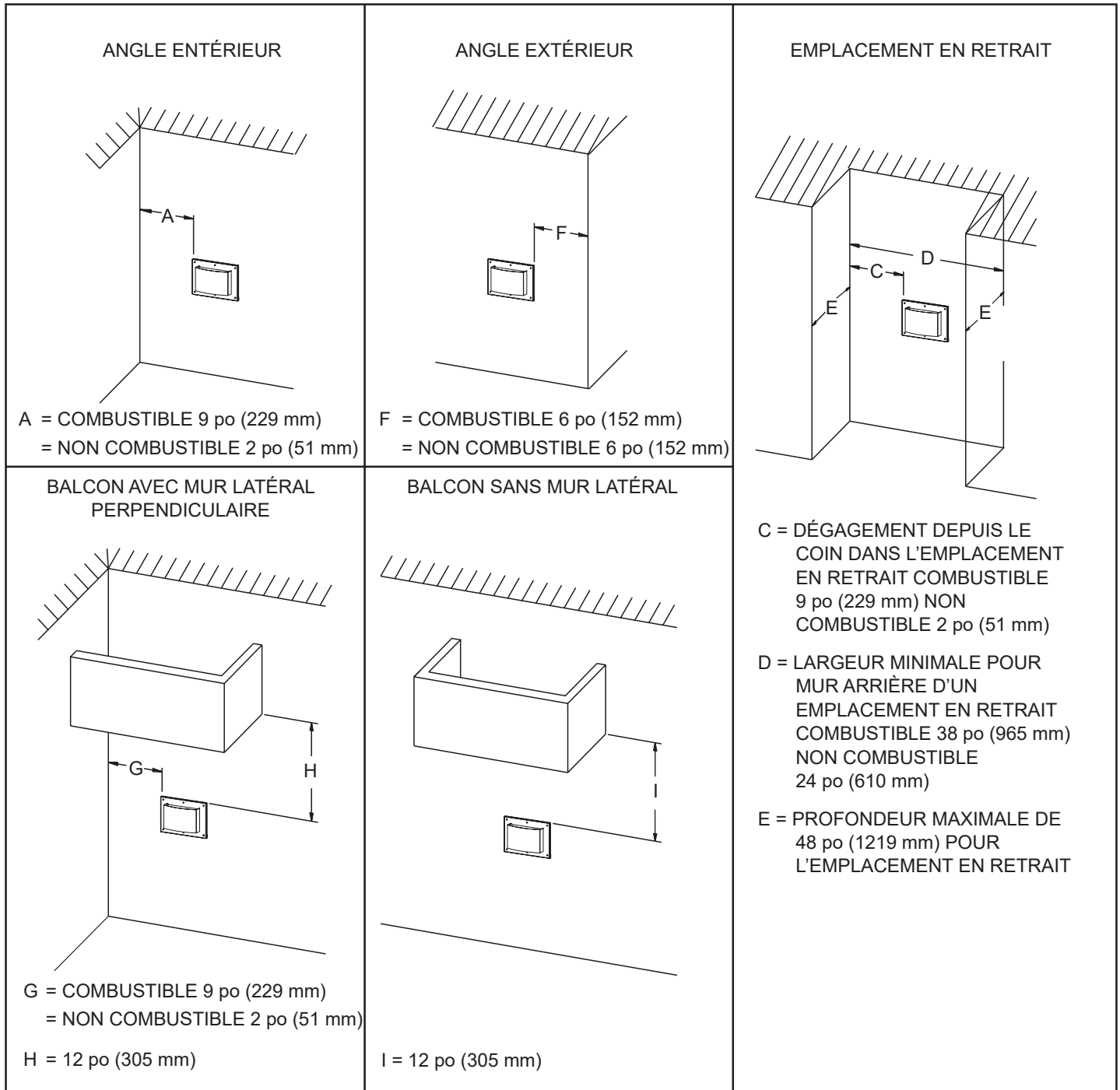
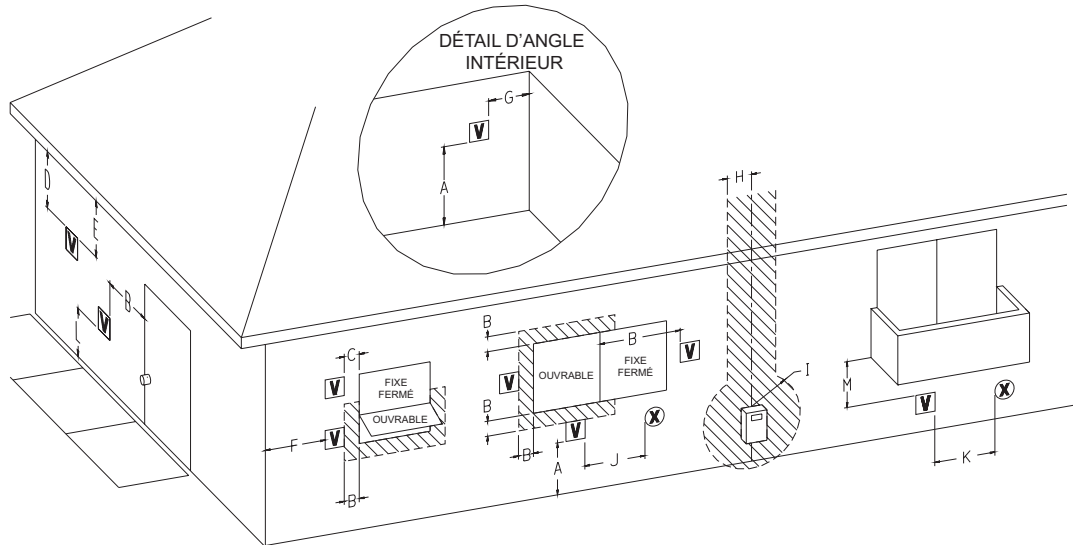


Figure 21

DÉGAGEMENTS DE TERMINAISON D'ÉVENT (SUITE)



V BOUCHE DE VENTILATION **X** BOUCHE D'ADMISSION D'AIR ZONE INTERDITE À UNE BOUCHE D'AIR

	Installations au Canada1	Installations aux États-Unis2
A = Dégagement au-dessus du sol, véranda, galerie, terrasse ou balcon	12 po (30 cm)	12 po (30 cm)
B = Dégagement jusqu'aux fenêtres ou portes qui s'ouvrent	6 po (15 cm) pour les appareils ≤ 10 000 BTU/h (3 kW), 12 po (30 cm) pour les appareils > 10 000 BTU/h (3 kW) et ≤ 100 000 BTU/h (30 kW), 36 po (91 cm) pour les appareils > 100 000 BTU/h (30 kW)	6 po (15 cm) pour les appareils ≤ 10 000 BTU/h (3 kW), 9 po (23 cm) pour les appareils > 10 000 BTU/h (3 kW) et ≤ 50 000 BTU/h (15 kW), 12 po (30 cm) pour les appareils > 50 000 BTU/h (15 kW)
C = Dégagement jusqu'aux fenêtres fermées en permanence	12 po (30 cm)	12 po (30 cm)
D = Dégagement vertical jusqu'à un soffite ventilé situé au-dessus du chapeau à une distance horizontale de moins de 2 pi (60 cm) de l'axe du chapeau	24 po (61 cm)	24 po (61 cm)
E = Dégagement jusqu'à un soffite non ventilé	12 po (30 cm)	12 po (30 cm)
F = Dégagement jusqu'au coin extérieur	6 po (15 cm)	6 po (15 cm)
G = Dégagement jusqu'au coin intérieur	9 po (23 cm)	9 po (23 cm)
H = Dégagement jusqu'à chaque côté de la ligne d'axe projetée au-dessus d'un compteur/régulateur	3 pi (91 cm) jusqu'à une hauteur de 15 pi (4,6 m) au-dessus du compteur/régulateur	3 pi (91 cm)

	Installations au Canada1	Installations aux États-Unis2
I = Dégagement jusqu'à une sortie d'évacuation de régulateur de service	3 pi (91 cm)	6 pi (1,83 m)
J = Dégagement jusqu'à une bouche d'admission d'air non mécanique dans le bâtiment ou l'entrée d'air de combustion de tout autre appareil	6 po (15 cm) pour les appareils ≤ 10 000 BTU/h (3 kW), 12 po (30 cm) pour les appareils > 10 000 BTU/h (3 kW) et ≤ 100 000 BTU/h (30 kW), 36 po (91 cm) pour les appareils > 100 000 BTU/h (30 kW)	6 po (15 cm) pour les appareils ≤ 10 000 BTU/h (3 kW), 9 po (23 cm) pour les appareils > 10 000 BTU/h (3 kW) et ≤ 50 000 BTU/h (15 kW), 12 po (30 cm) pour les appareils > 50 000 BTU/h (15 kW)
K = Dégagement jusqu'à une bouche d'admission d'air mécanique	6 pi (1,83 m)	3 pi (91 cm) au-dessus de l'entrée à moins de 10 pi (3 m) horizontalement
L = Dégagement au-dessus d'un trottoir ou d'une entrée de garage pavée située sur la voie publique	7 pi (2,13 m) †	7 pi (2,13 m) †
M = Dégagement sous une véranda, une galerie, une terrasse ou un balcon	12 po (30 cm) ‡	12 po (30 cm) ‡
1	En conformité avec le Code d'installation du gaz naturel et du propane, CSA B149.1	
2	En conformité avec le Code national du gaz de chauffage ANSI Z223.1/NFPA 54	
†	L'extrémité d'un tuyau d'évent ne doit pas se trouver directement au-dessus d'un trottoir ou d'une entrée de garage pavée situés entre deux habitations individuelles et desservant les deux habitations	

ATTENTION : Avertissement concernant les soffites en vinyle, plafonds en vinyle et surplombs en vinyle

Les dégagements sont jusqu'à des matériaux résistants à la chaleur (par ex. bois, métal). Cela ne comprend pas le vinyle. Empire Comfort Systems Inc. ne sera pas tenu responsable des dommages de la chaleur causée par les extrémités d'évacuation débouchant sous des surplombs en vinyle, des plafonds en vinyle ou des soffites en vinyle ventilés ou non ventilés.

‡ Autorisé uniquement si la véranda, la galerie, la terrasse ou le balcon est totalement ouvert(e) sur un minimum de 2 côtés sous le sol.

* Pour les dégagements non spécifiés dans ANSI Z223.1/NFPA 54 ou dans CSA B149.1, consulter les codes locaux.

Prévoir des dégagements en conformité avec les codes d'installation locaux et les exigences du fournisseur de gaz.

ALIMENTATION DE GAZ

La conduite de gaz peut pénétrer par le côté droit du foyer. Le foyer comporte une conduite flexible à robinet d'arrêt sur le côté droit, vu depuis l'avant du foyer. **Voir Figures 22 et 23.** Consulter le code d'installation du National Fuel Gas Code, ANSI Z223.1 CAN/CGA-B149 (.1 ou .2).

DIAMÈTRE DE TUYAU DE GAZ RECOMMANDÉ				
Longueur de tuyau (dimensions en pi)	Tuyau de nomenclature 40 Diamètre intérieur		Tube de type L Diamètre extérieur	
	Dimensions (en pouces / mm)			
	Naturel	Propane	Naturel	Propane
0-10	1/2 (12,7)	3/8 (9,5)	1/2 (12,7)	3/8 (9,5)
11-40	1/2 (12,7)	1/2 (12,7)	5/8 (16)	1/2 (12,7)
41-100	1/2 (12,7)	1/2 (12,7)	3/4 (19)	1/2 (12,7)
101-150	3/4 (19)	1/2 (12,7)	7/8 (22)	3/4 (19)

ATTENTION: Ne jamais utiliser de tuyau en plastique. Vérifier si la réglementation locale autorise l'emploi de tuyaux en cuivre ou galvanisés.

AVIS: Certaines municipalités ayant des codes locaux supplémentaires, il est préférable de consulter les autorités et le code d'installation locaux. L'emploi des raccords de gaz ci-dessous est conseillé :

- ANSI Z21.24 - Connecteurs de foyer pour tubes et raccords en métal ondulé.
- ANSI Z21.45 - Connecteurs de foyer flexibles assemblés en matériaux non entièrement métalliques.

Les connecteurs ci-dessus peuvent être utilisés s'ils sont jugés admissibles par l'autorité compétente. Le Commonwealth du Massachusetts prévoit qu'un connecteur de foyer flexible ne doit pas dépasser 3 pi (914 mm) de long.

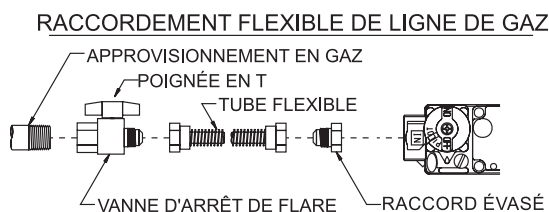


Figure 22

Installer le robinet d'arrêt principal de gaz

Chaque foyer doit avoir son propre robinet manuel d'arrêt de gaz. Un robinet d'arrêt principal de gaz manuel doit être placé à proximité du foyer et être facile d'accès. Lorsqu'il n'y en a pas ou si sa taille ou son emplacement ne conviennent pas, communiquer avec un installateur agréé pour installer ou déplacer le robinet.

Les pâtes d'étanchéité utilisées sur les raccords filetés de conduites de gaz doivent résister à l'action des gaz de pétrole liquéfiés. L'installateur doit vérifier l'absence de fuites sur les conduites de gaz. L'essai d'étanchéité de tous les raccords apparents doit être effectué à l'aide d'une solution de détection des fuites ou solution savonneuse. Après avoir terminé l'essai, il faut nettoyer toute la solution. Un essai de pression doit être effectué sur tous les raccords non apparents.

⚠ AVERTISSEMENT

Ne jamais utiliser de flamme nue pour détecter les fuites. Pour effectuer l'essai de pression, débrancher le foyer de la conduite à l'entrée de la vanne de régulation et poser un bouchon sur la conduite. Ne jamais effectuer d'essai de pression avec le foyer raccordé, cela endommagerait la vanne de régulation.

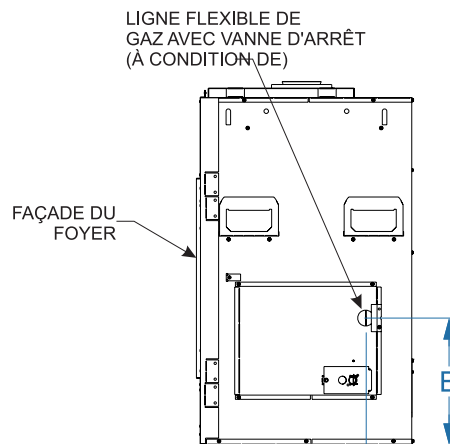
AVIS : Les commandes de gaz comportent un point d'essai de pression à vis captive, par conséquent il n'est pas nécessaire de prévoir un point d'essai de 1/8 po (3 mm) en amont de la commande. En cas d'utilisation d'un connecteur en cuivre ou flexible, utiliser uniquement un raccord homologué.

Le foyer et son robinet d'arrêt individuel doivent être débranchés du circuit d'arrivée de gaz durant tout essai de pression de ce circuit à des pressions d'essai supérieures à 0,5 psig (3,5 kPa).

Le foyer doit être isolé du circuit d'arrivée de gaz par la fermeture de son robinet d'arrêt individuel durant tout essai de pression du circuit d'alimentation en gaz à des pressions d'essai inférieures ou égales à 0,5 psig (3,5 kPa).

⚠ AVERTISSEMENT

Si une procédure soumet la vanne de gaz du foyer à des pressions supérieures à 0,5 psig (14 po CE) (3,5 kPa), cela crée une situation dangereuse.



DIMENSION	DVCTL60 - DIMENSIONS (EN POUCES)
A	18-1/4 (457.2 mm)
B	14 (355.6 mm)

Figure 23

Poser une vanne de gaz et un raccord à joint rodé sur la conduite de gaz en amont de la vanne de régulation pour faciliter l'entretien. Le National Fuel Gas Code prévoit la pose d'une conduite de collecte à proximité de l'arrivée de gaz. **Voir Figure 24.** Il doit s'agir d'une portion verticale de conduite en T posée sur la conduite de gaz et bouchée à la base, servant à recueillir la condensation et les matières étrangères.

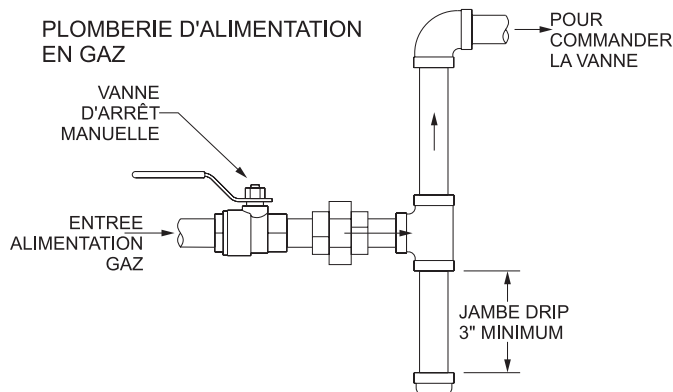


Figure 24

ACCÈS AU COMPARTIMENT VANNE

Accès au compartiment des vannes

1. Retirez les éléments suivants : **Voir Figure 25.**
 - Écran de barrière (Voir la section Entretien et service pour les instructions).
 - Assemblage du cadre en verre (voir la section Entretien et service pour les instructions).

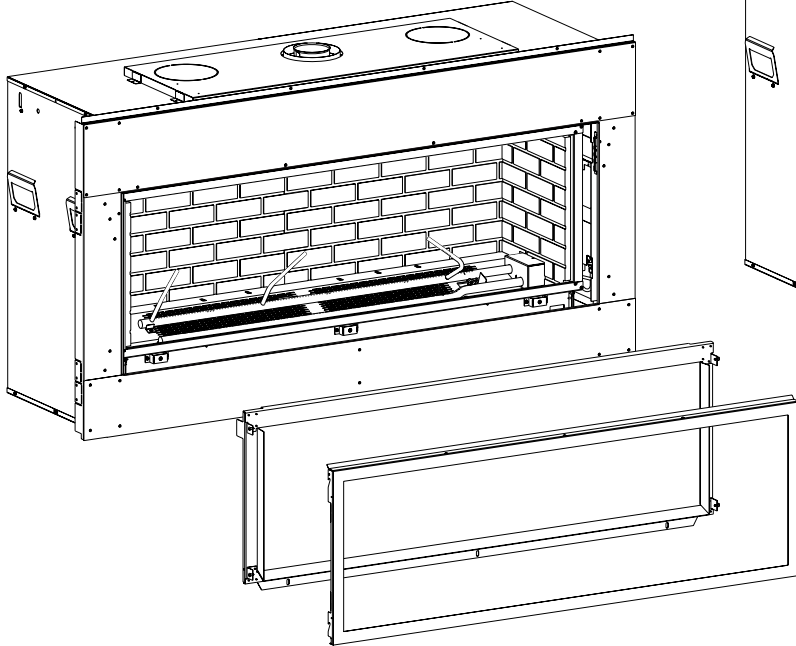


Figure 25

2. Retirez le jeu de bûches et mettez-le de côté.
3. Retirez le panneau de revêtement droit. **Voir la Figure 26.**

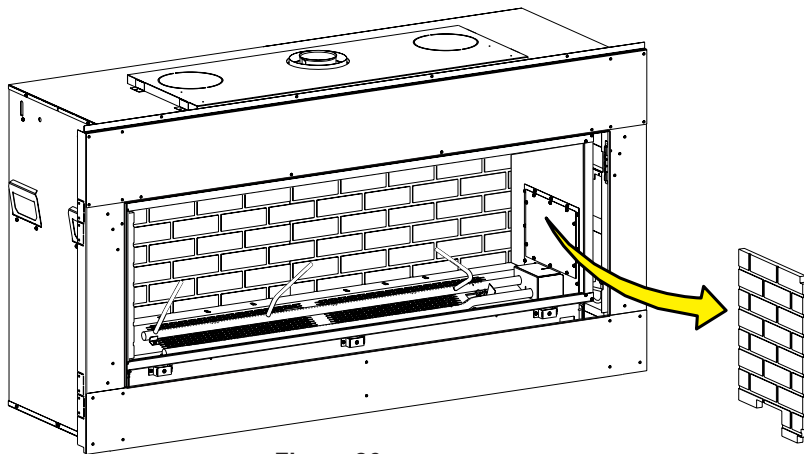


Figure 26

4. Retirez le panneau d'accès. **Voir la Figure 27.**

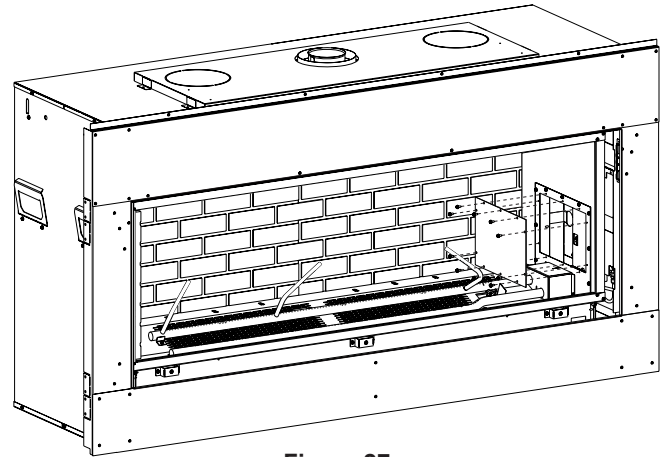


Figure 27

TESTER LA PRESSION D'ALIMENTATION EN GAZ

Le gaz Naturel aura une pression d'admission d'environ 3.5 pouces w.c. à la sortie du régulateur de pression avec une pression d'entrée au régulateur de pression d'un minimum de 4.5 pouces w.c. à des fins d'ajustement de l'entrée à un maximum de 14 pouces w.c.

Le gaz Propane aura une pression d'admission d'environ 10.0 pouces w.c. à la sortie du régulateur de pression avec une pression d'entrée au régulateur de pression d'un minimum de 11.0 pouces w.c. dans le but d'ajuster l'entrée à un maximum de 14.0 pouces w.c.

PRESSIONS D'ALIMENTATION EN GAZ (POUCES COLONNE D'EAU)			
TYPE DE GAZ	MAXIMUM	LE MINIMUM	COLLECTEUR
Naturel	14 (355.6 mm)	4.5 (114.3 mm)	3.5 (88.9 mm)
Propane	14 (355.6 mm)	11 (279.4 mm)	10 (254 mm)

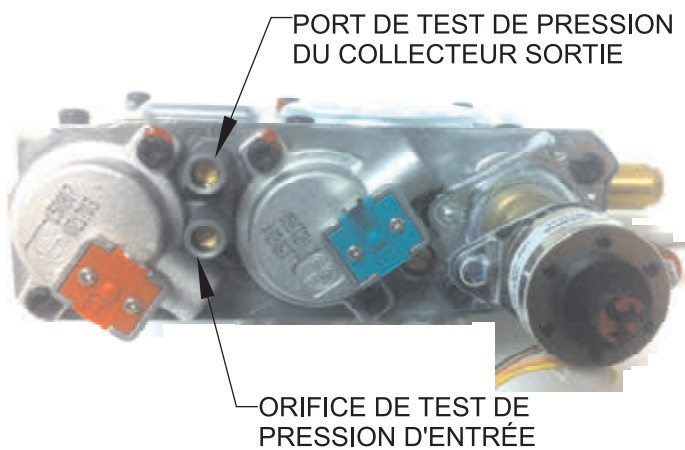
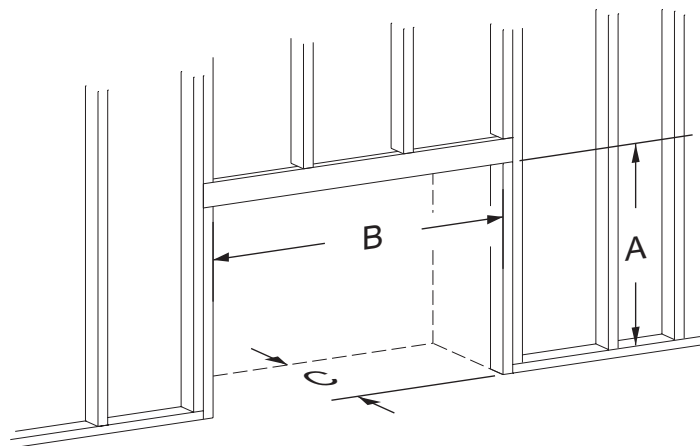


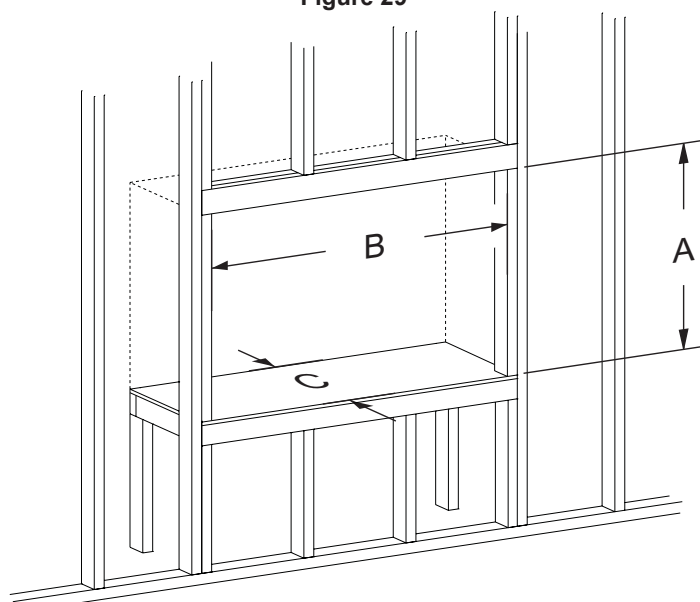
Figure 28

INSTALLATION



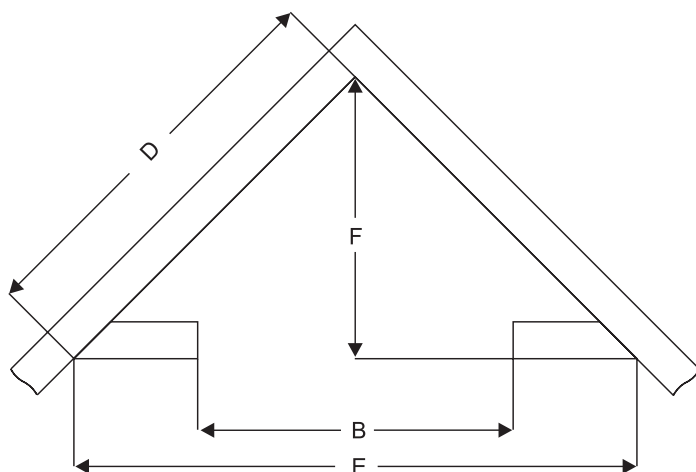
Ouverture brute pour une installation au niveau du sol

Figure 29



Ouverture brute pour une installation surélevée

Figure 30



Ouverture brute pour l'installation dans le coin

Figure 31

Le foyer peut être monté sur l'une des surfaces suivantes :

1. Une surface plane, dure, combustible ou non combustible.
2. Une plate-forme en bois surélevée.
3. Quatre supports d'angle. (Exemple : quatre blocs de maçonnerie en béton.) Ces supports doivent être positionnés de manière à toucher les quatre bords du périmètre au bas du foyer, si les codes locaux le permettent.

AVIS : Vérifiez l'alimentation en gaz et les considérations électriques avant de commencer le cadrage.

Informations de cadrage

La charpente du foyer peut être construite avant ou après la mise en place du foyer. Positionnez la charpente pour accueillir le revêtement mural et le matériau de revêtement du foyer. Construisez la charpente du foyer avec 2 x 4 bois ou plus lourd. Reportez-vous au **TABLEAU D'INSTALLATION** ci-dessous pour les dimensions minimales de l'encadrement.

⚠ ATTENTION

Avant le début de la construction, mesurez les dimensions du foyer et vérifiez les méthodes de charpente et les détails du revêtement mural.

TABLEAU D'INSTALLATION -
DIMENSIONS MINIMALES (EN POUCHES)

Modèle	A	B	C	D	E	F
DVCTL60	59-7/8 (1498.6 mm)	75-1/8 (1905 mm)	23-1/2 (584.2 mm)	85-5/16 (2159 mm)	115-1/2 (2921 mm)	57-3/4 (1447.8 mm)

INSTALLATION (SUITE)

BRIDES DE CLOUAGE

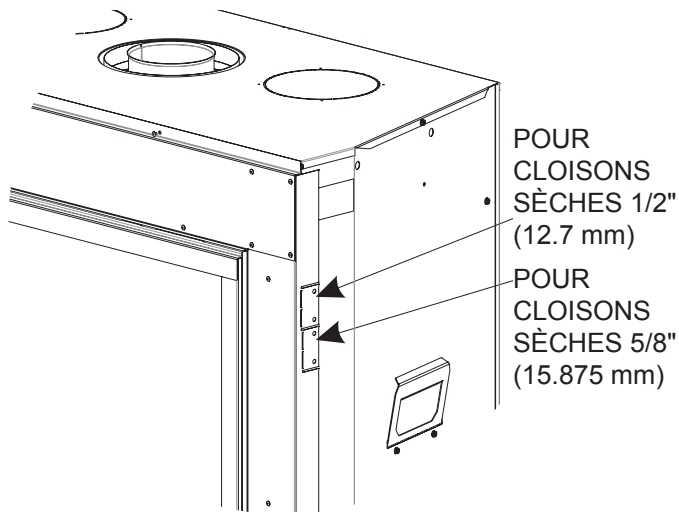


Figure 32

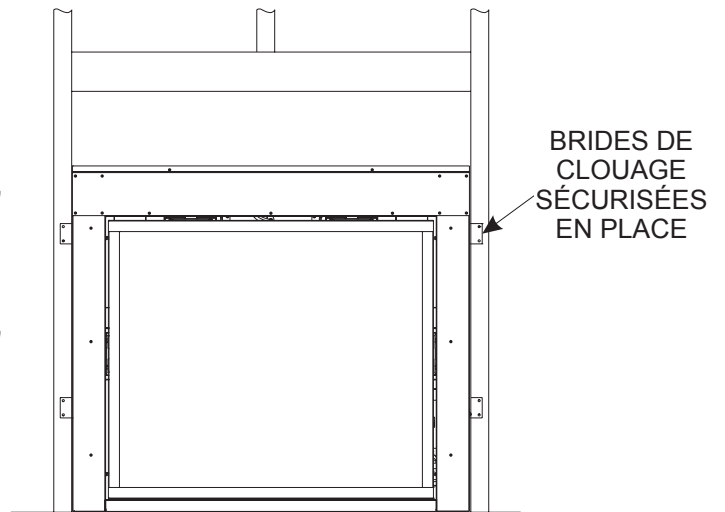


Figure 33

INSTALLATION MURALE AFFLEURANTE

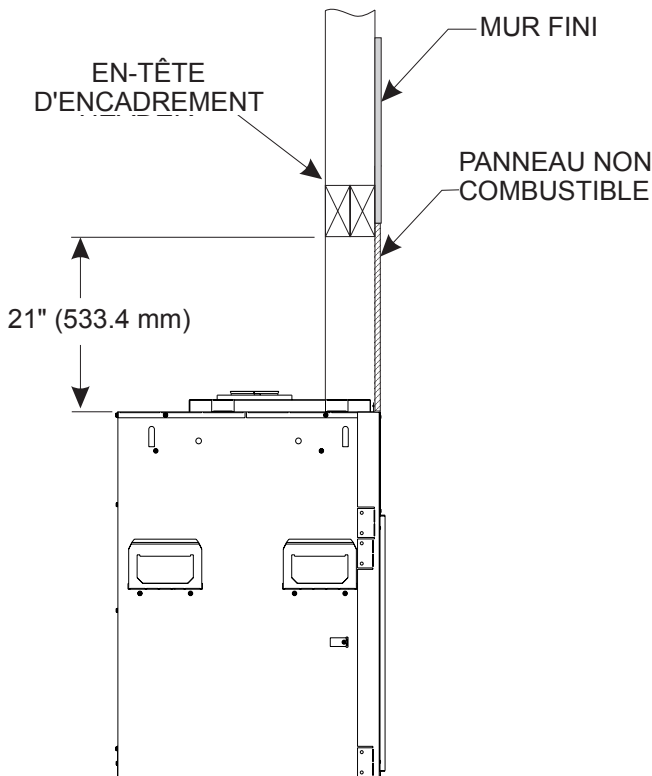


Figure 34

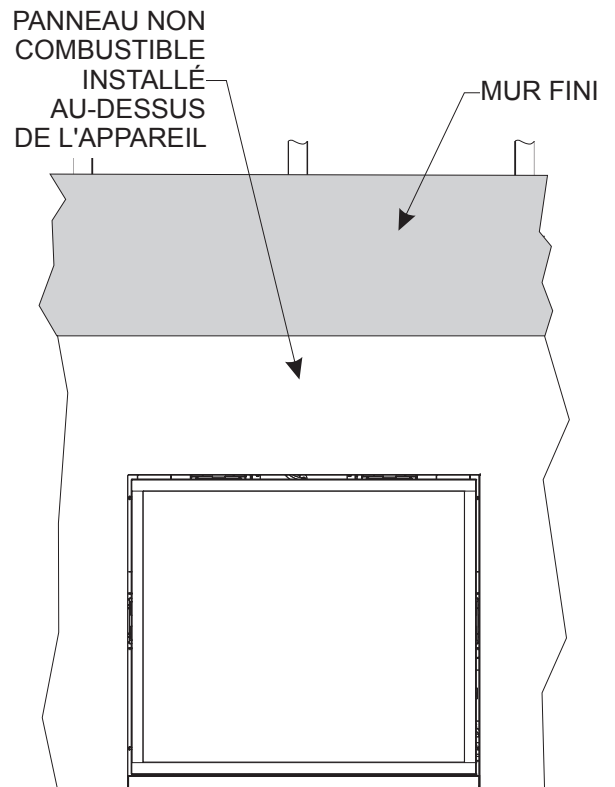


Figure 35

⚠ AVERTISSEMENT

Lors de la finition du foyer, ne jamais obstruer ou modifier l'espace autour du cadre en verre de quelque manière que ce soit. Prévoir des dégagements adéquats autour des ouvertures d'air dans la chambre de combustion.

⚠ ATTENTION

Si les joints entre le mur fini et le cadre du foyer (dessus et côtés) sont scellés, un matériau d'étanchéité minimum de 300 ° F doit être utilisé. Ces joints ne doivent pas être scellés. Seul un matériau incombustible (en utilisant un adhésif minimum de 300 ° F si nécessaire) peut être appliqué en face du cadre du foyer.

INSTALLATION (SUITE)

Dégagement d'évent horizontal

Pour un évent horizontal, maintenez un dégagement de 1 pouce au bas et sur les côtés de l'évent et de 3 pouces aux matériaux combustibles au-dessus du tuyau d'évent. **Voir la Figure 37.**

Dégagement vertical de l'évent

Pour un évent vertical, maintenez un dégagement d'au moins 1 pouce par rapport aux matériaux combustibles.

AVIS : Maintenez un dégagement de 1 pouce par rapport aux matériaux combustibles autour du tuyau d'évacuation vertical. **Voir la Figure 36.** Pour les systèmes d'évacuation horizontaux, maintenez un dégagement minimum de 1 pouce entre le bas et les côtés de l'évent par rapport aux combustibles et un dégagement de 3 pouces au-dessus du tuyau d'évacuation par rapport aux combustibles. **Voir les Figures 36 et 37.**

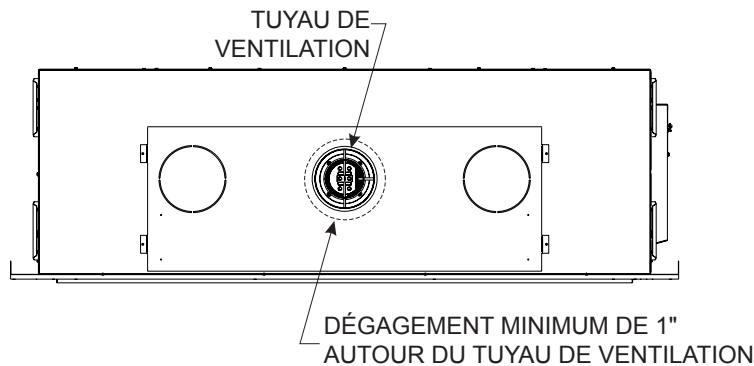
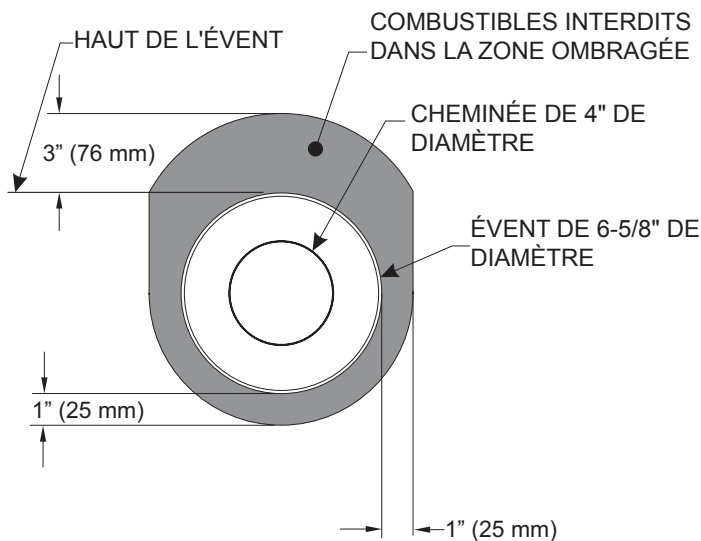


Figure 36



Dégagements horizontaux de ventilation - Figure 37

ATTENTION : Recommandation d'installation par temps froid : Lors de l'installation de cet appareil contre un mur extérieur, le mur extérieur doit être isolé pour se conformer aux codes d'isolation applicables. L'enveloppe extérieure du foyer n'est pas considérée comme une barrière thermique et peut permettre l'infiltration d'air. Des précautions doivent être prises pour sceller correctement la zone de chasse afin que l'infiltration d'air soit réduite au minimum et que les courants d'air ne se produisent pas à travers le foyer.

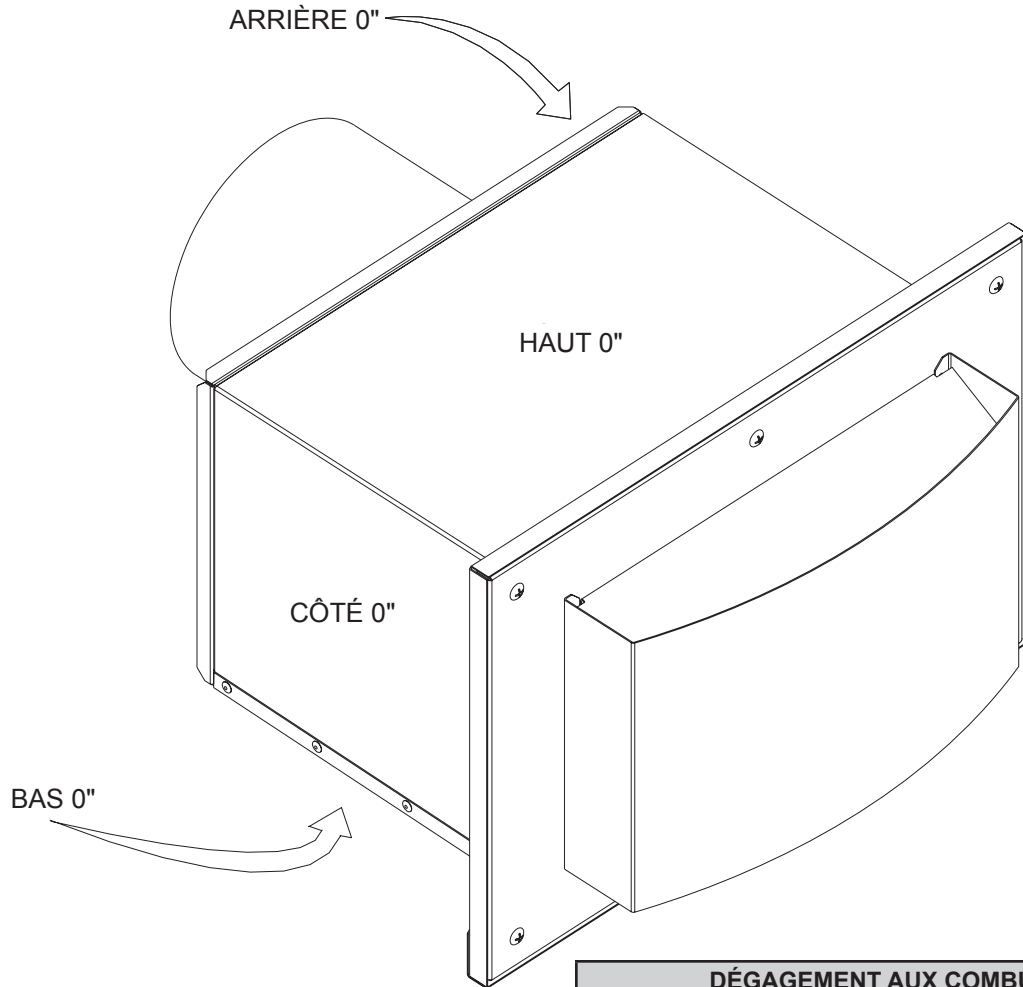
Conduites d'aération

Lors de la planification de l'installation, vous devez installer certains composants avant que le foyer ne soit fixé en position. Ceux-ci incluent le système d'évacuation directe, la tuyauterie de gaz et le câblage électrique.

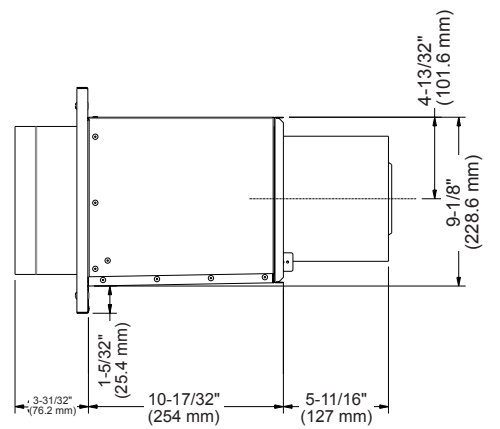
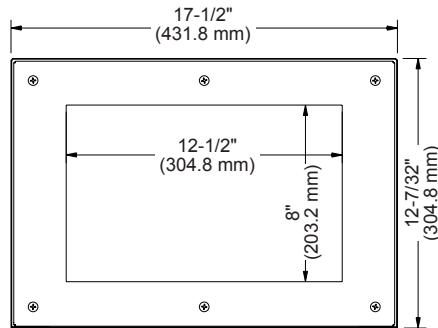
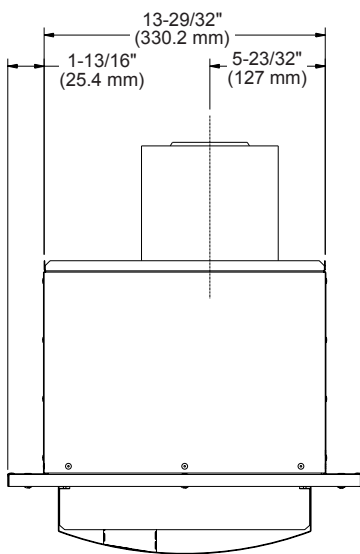
L'appareil peut être monté sur l'une des surfaces suivantes :

1. Une surface plane, dure, combustible ou non combustible.
2. Une plate-forme en bois surélevée.
3. Quatre supports d'angle (tels que des blocs de maçonnerie). Ces supports doivent être positionnés de manière à toucher les quatre bords du périmètre au bas de l'unité.

ÉVENT DE PUISSANCE



DÉGAGEMENT AUX COMBUSTIBLES
Retour 0 po
Côtés 0 po
Haut/Bas 0 po



ÉVÉNEMENT DE PUISSANCE

CONNEXIONS ÉLECTRIQUES SUR LE FOYER

⚠ ATTENTION

Tout le câblage doit être effectué par un électricien qualifié et doit être conforme à tous les codes du bâtiment locaux, municipaux et nationaux. Avant d'effectuer la connexion électrique, assurez-vous que l'alimentation principale est déconnectée. Le foyer, une fois installé, doit être mis à la terre électriquement conformément aux codes locaux, ou en l'absence de codes locaux, avec le Code électrique national ANSI / NFPA 70 (Dernière édition).

Localisez la boîte de jonction électrique installée en usine située sur le côté droit du foyer illustré à la **Figure 38**. L'installateur doit fournir un câble d'alimentation 18-2 minimum pour alimenter la boîte de jonction à l'événement. **Voir schéma de câblage à la page 16.**

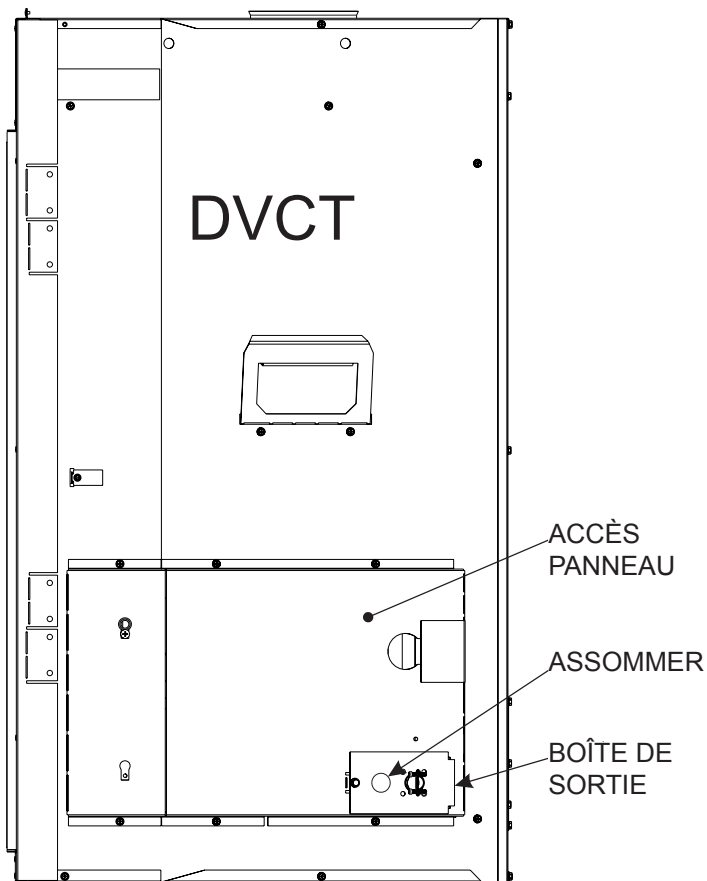


Figure 38

ÉVENT DE PUISSANCE

INFORMATION SUR L'ÉVACUATION

Pour démarrer l'installation du système d'évacuation, identifier le trajet que va suivre le conduit entre le foyer et le caisson d'évacuation forcée. S'assurer que les dégagements sont respectés tout le long du trajet du système d'évacuation.

Déterminer comment doit se terminer le système d'évacuation (verticalement ou horizontalement). Vérifier les dégagements pour la sortie d'évacuation.

AVIS : Si le système se termine verticalement, le nécessaire de conversion verticale DVKCVP est nécessaire..

AVIS : Cette évacuation forcée peut être utilisée uniquement avec un conduit DuraVent Direct Vent Pro® de 4 x 6-5/8 pouces.

AVIS : Tous les raccordements extérieurs doivent être rendus étanches par du ruban aluminium ou de la pâte de silicone de résistance nominale supérieure à 300 °F/149 °C. Les raccords du tuyau de fumée interne ne nécessitent aucun produit d'étanchéité.

CETTE ÉVACUATION FORCÉE PEUT SUIVRE TOUT TRAJET DÈS LORS QU'ELLE EST CONFORME AUX EXIGENCES SUIVANTES :

- Distance verticale maximale au-dessus du plancher du foyer = 50 pi (15,2 m)
 - Longueur efficace maximale = 50 pi (15,2 m) (calculs de longueur efficace indiqués ci-dessous sous **Équation 1**).
 - Longueur efficace minimale = 10 pi (3 m) pour le gaz naturel et 15 pi (4,6 m) pour le gaz propane
 - Le registre du foyer doit être complètement ouvert pour toute longueur de conduit inférieure à 25 pi (7,6 m).
 - Maximum de 6 coudes à 90° ou 12 coudes à 45°
 - Maximum de 5 pi (1,5 m) sous la base du foyer
 - Baisse maximale de 12 pi (3,7 m) par rapport au point le plus haut du conduit.
 - Si le conduit d'évacuation suit un trajet descendant, il ne peut pas remonter.
1. Retirer le panneau arrière et la boîte à fumée de l'évacuation forcée après avoir retiré les six vis n° 10-24 x 3/8 po indiquées à la **Figure 39**.

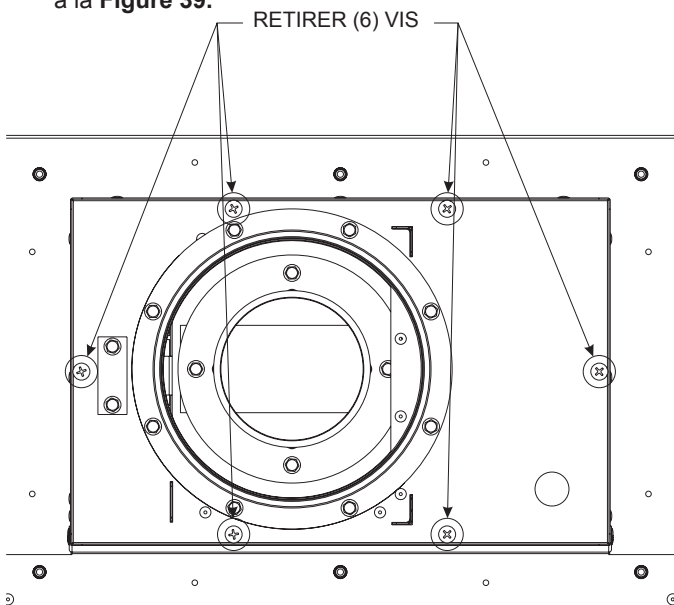


Figure 39

2. Insérer une douille de serre-câble à travers l'orifice de 7/8 po (22 mm) sur le panneau arrière et insérer des câbles de calibre minimum 18 (non fournis). **Voir Figure 40** ci-dessous.

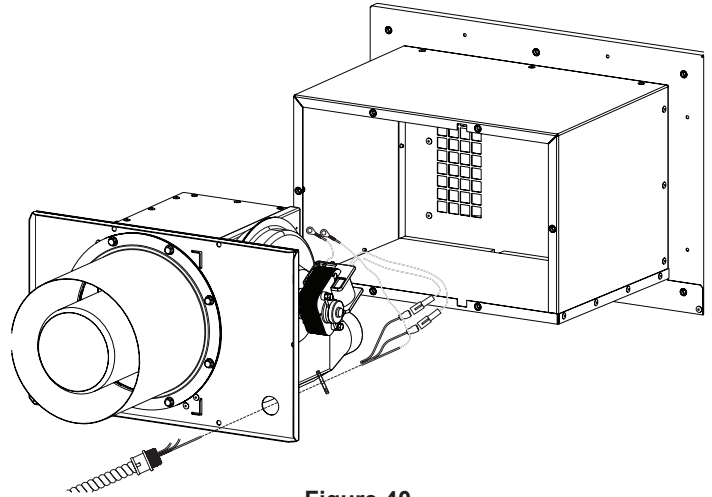


Figure 40

3. Attacher une cosse à anneau n° 10 au fil de terre. Retirer la vis supérieure n° 10 x 1/2 po sur l'avant de la boîte à fumée et attacher le fil vert-jaune du moteur d'inducteur et le fil de terre de l'alimentation électrique avec la vis comme illustré à la **Figure 41** ci-dessous.

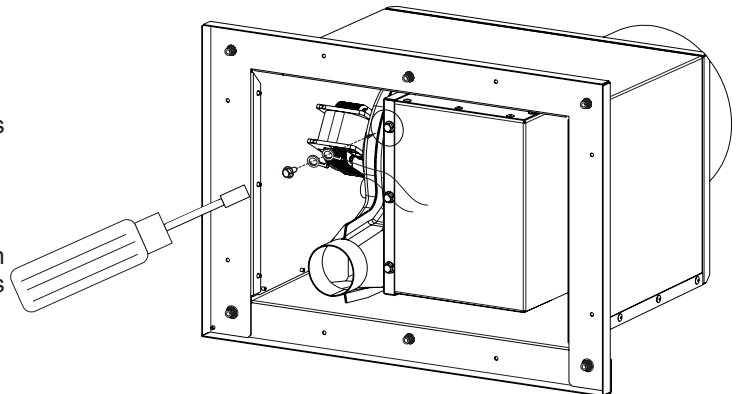


Figure 41

4. Rattacher le panneau arrière et la boîte à fumée au caisson extérieur de l'évacuation forcée avec les six vis n° 10 x 3/8 po.

ÉVÉNT DE PUISSANCE

LA LONGUEUR EFFICACE EST CALCULÉE PAR L'ÉQUATION SUIVANTE :

Équation 1

Longueur effective = Course verticale vers le haut + (2 × course verticale vers le bas) + Course horizontale + (3 × # de coudes à 90°) + (1,5 × # de coudes à 45°)

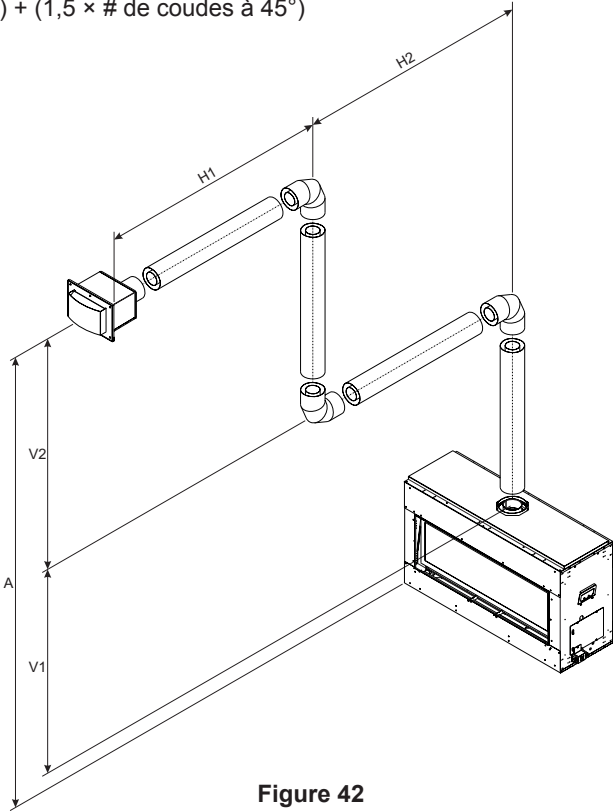


Figure 42

EXEMPLE 1						
Hauteur du foyer	V1	V2	H1	H2	Coudes	Longueur effective totale
4 ft (1.2192 m)	5 ft (1.524 m)	10 ft (3.048 m)	5 ft (1.524 m)	10 ft (3.048 m)	3	43 ft (13.1064 m)

Course verticale vers le haut = (Hauteur du foyer + V1 + V2) = 4 pi (1.2192 m) + 5 pi (1.524 m) + 10 pi (3.048 m) = 19 pi (5.791 m)

Déroutement vertical = 0 pi.

Course horizontale = (H1 + H2) = (5 pi (1.524 m) + 10 pi (3.048 m)) = 15 pi (4.572 m)

Nombre de coudes = 3

Longueur effective = course verticale vers le haut + (2 x course verticale vers le bas) + course horizontale + (3 x nombre de coudes à 90°) + (1,5 x nombre de coudes à 45°)

Longueur effective = 19 pi (5.791 m) + (2 x 0 pi) + 15 pi (4.572 m) + (3 x 3 coudes) + (1,5 x 0 coudes)

Longueur effective = 43 pi (13.1064 m)

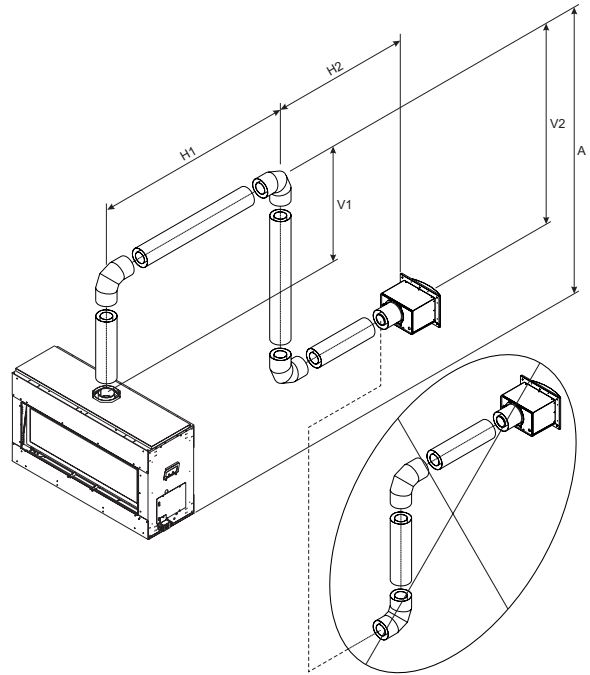


Figure 43

EXEMPLE 2						
Hauteur du foyer	V1	V2	H1	H2	Coudes	Longueur effective totale
4 ft (1.2192 m)	5 ft (1.524 m)	10 ft (3.048 m)	10 ft (3.048 m)	5 ft (1.524 m)	3	53 ft (16.1544 m)

Course verticale vers le haut = (Hauteur du foyer + V1) = (4 pi (1,2192 m) + 5 pi (1,524 m)) = 9 pi (2,7432 m)

Déroutement vertical = 10 pi (3,048 m)

Course horizontale = (H1 + H2) = (5 pi (1,524 m) + 10 pi (3,048 m)) = 15 pi (4,572 m)

Nombre de coudes = 3

Longueur effective = course verticale vers le haut + (2 x course verticale vers le bas) + course horizontale + (3 x nombre de coudes à 90°) + (1,5 x nombre de coudes à 45°)

Longueur effective = 9 pi (2,7432 m) + (2 x 10 pi (3,048 m)) + 15 pi (4,572 m) + (3 x 3 coudes) + (1,5 x 0 coudes)

Longueur effective = 53 pi (16,1544 m)

AVIS : Une fois que l'événement se dirige vers le bas, il ne peut pas revenir vers le haut.

AVIS : Si ce Power-Vent doit être entretenu par l'arrière, un minimum de 12 pouces de tuyau d'événement doit être amovible pour dégager un espace pour le retrait du panneau arrière. Ceci peut être réalisé avec un tuyau réglable qui s'effondrera pour dégager la bride du connecteur Power-Vent, puis sera retiré. Cela peut également être réalisé en cassant la connexion au coude le plus proche et en enlevant cette section de tuyau.

Assurez-vous que les dégagements de ventilation des parois latérales sont respectés. Si le système de ventilation est installé sous le sol, nous recommandons d'installer un puits de fenêtre avec un drainage adéquat et approprié autour de la zone de terminaison.

ÉVENT DE PUISSANCE

LONGUEUR EFFECTIVE MINIMALE

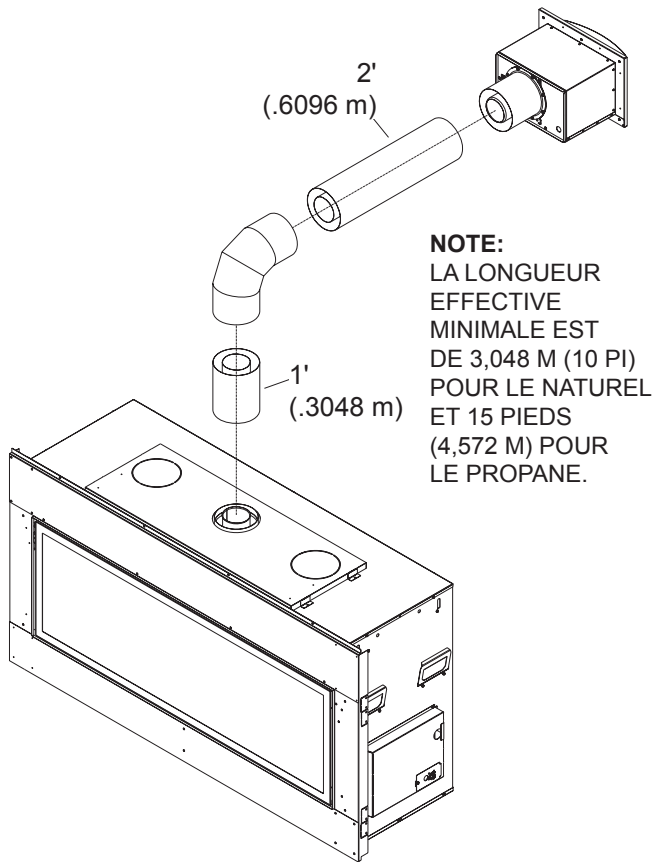


Figure 44

INSTALLATION TYPIQUE AU SOUS-SOL

Installation des supports de support

Un support de tuyau horizontal DOIT ÊTRE utilisé pour chaque 3 pieds de longueur horizontale. Les supports de tuyaux doivent être placés autour du tuyau et cloués en place aux éléments de charpente. Il DOIT Y AVOIR un dégagement de 3 pouces par rapport aux combustibles au-dessus du tuyau et des coudes de 6-5/8 pouces de diamètre et un dégagement de 1 pouce des deux côtés et du bas du tuyau de 6-5/8 pouces aux combustibles sur toutes les sections de tuyau horizontales et les coudes.

Les parcours verticaux de ce système de ventilation doivent être soutenus tous les 4 pieds au-dessus de la sortie du conduit de fumée de l'appareil par des supports muraux fixés au tuyau de ventilation de 6-5/8 pouces et fixés avec des clous ou des vis aux éléments de charpente.

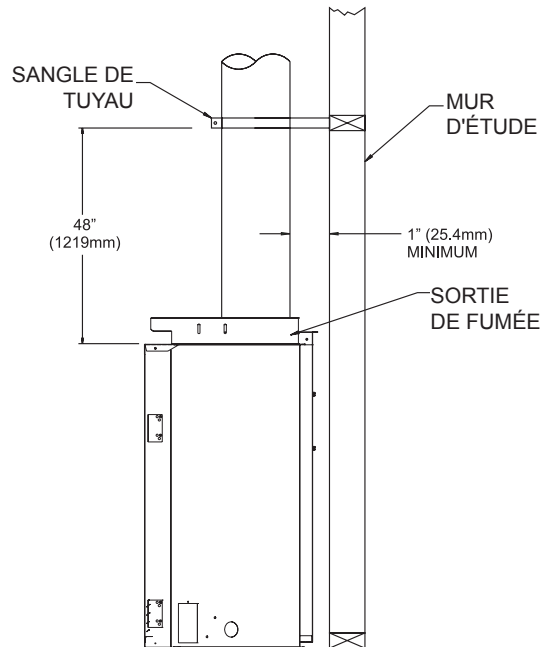


Figure 45

INSTALLATION COUPE-FEU

Des coupe-feu sont nécessaires pour la sécurité lorsque le système de ventilation traverse un mur intérieur, un mur extérieur ou un plafond. Ces coupe-feu agissent comme un bouclier thermique coupe-feu et comme un moyen d'assurer que des dégagements minimaux sont maintenus au système de ventilation.

Les passages horizontaux dans le système d'évent qui traversent les murs intérieurs ou extérieurs nécessitent l'utilisation de coupe-feu muraux des deux côtés du mur à travers lequel passe l'évent.

Positionnez les butées d'incendie des deux côtés du trou de 10 x 11 pouces, préalablement coupé. Fixer avec des clous ou des vis. Les boucliers thermiques des coupe-feu DOIVENT ÊTRE placés vers le haut du trou. Continuez la course d'évent à travers les coupe-feu. Voir Figure 46.

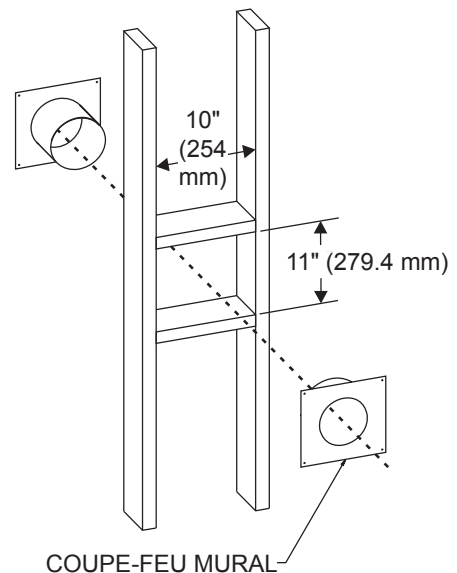


Figure 46

ÉVENT DE PUISSANCE

Les portions verticales du système d'évacuation qui traversent des plafonds nécessitent l'emploi d'un coupe-feu de plafond dans l'ouverture de chaque plafond traversé par le conduit.

Placer un fil à plomb directement au-dessus du centre du conduit vertical pour établir et marquer le centre du conduit au plafond. Percer un trou ou enfoncer un clou à travers le point central et vérifier l'absence de toute obstruction dans le plancher au-dessus, notamment des fils électriques ou des tuyaux de plomberie. Déplacer l'appareil et le système d'évacuation, le cas échéant, pour éviter les solives de plafond ou autres obstructions.

Découper une ouverture de 10 po x 10 po (25,4 cm x 25,4 cm) à travers le plafond en se servant du point central marqué précédemment. Encadrer l'ouverture avec du bois d'œuvre de même section que les solives du plafond. **Voir Figure 47.** Si la zone au-dessus du plafond n'est PAS un grenier, placer et fixer le coupe-feu de plafond sur le côté plafond de l'ouverture découpée et encadrée précédemment. **Voir Figure 48.** Si la zone au-dessus du plafond est un grenier, placer et fixer le coupe-feu sur le dessus de l'ouverture encadrée précédemment. **Voir Figure 49.**

REMARQUE : Enlever l'isolant de la zone de l'ouverture encadrée au grenier avant de poser le coupe-feu et/ou les conduits d'évacuation.

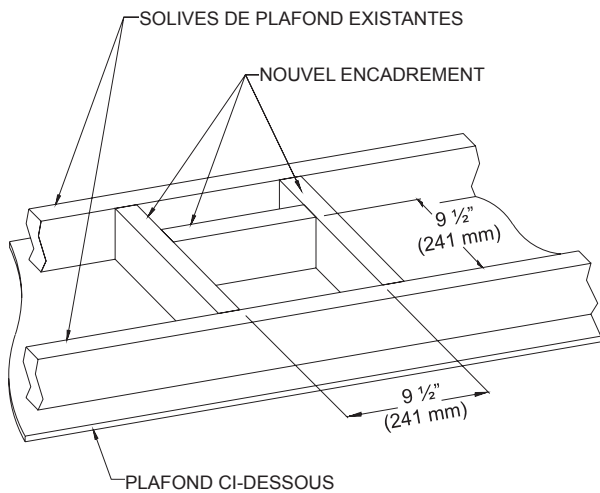


Figure 47

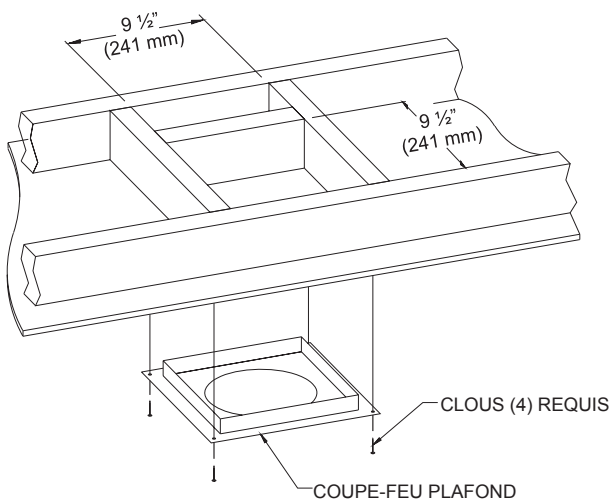


Figure 48

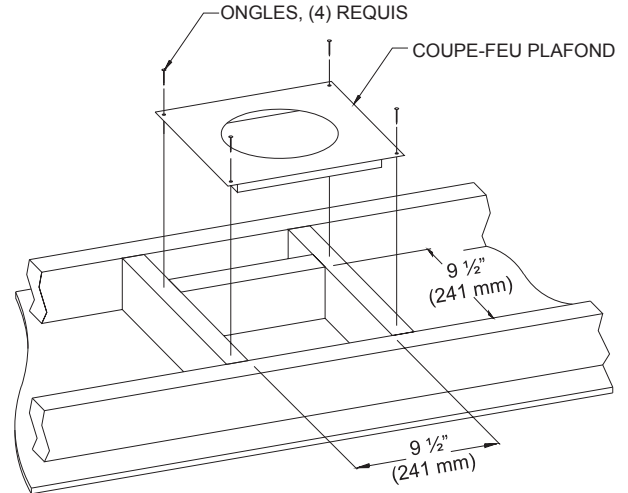


Figure 49

DÉGAGEMENT DU CONDUIT D'ÉVACUATION

AVIS : Prévoir un dégagement de 1 po (2.5 cm) autour du conduit d'évacuation vertical. **Voir Figure 50.**

Pour un conduit horizontal, prévoir un dégagement de 1 po (2.5 cm) minimum sur le dessous et les côtés du conduit et de 3 po (7.6 cm) par rapport aux combustibles au-dessus du conduit d'évacuation. **Voir Figure 51.**

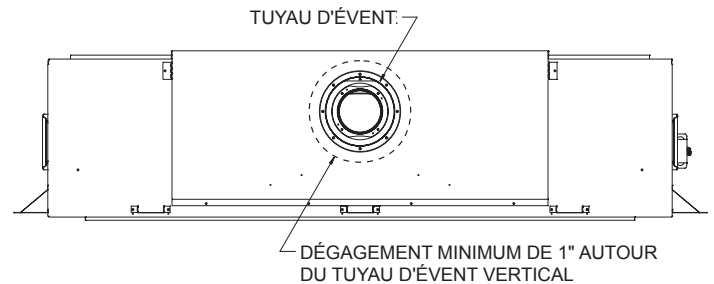


Figure 50

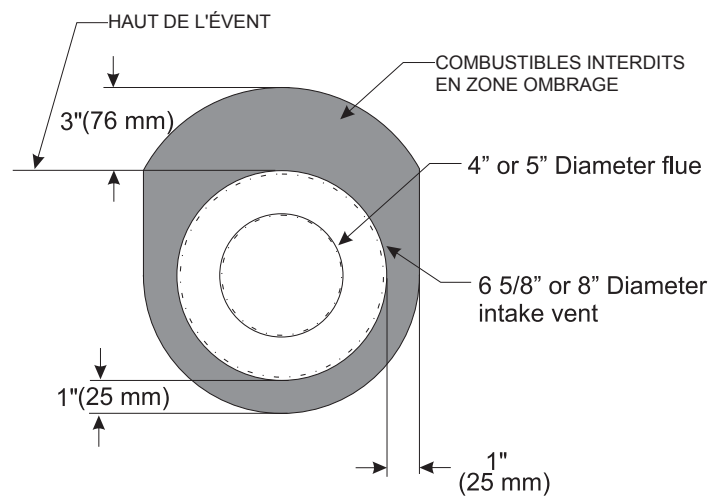


Figure 51

ÉVÉNT DE PUISSANCE

INSTALLATION

Charpente

1. Une fois que l'emplacement de l'extrémité d'évacuation a été déterminé, construire un cadre avec des matériaux de mêmes dimensions que le mur existant. **Voir Figure 52.** Le jour doit mesurer 9-1/2 po (24,1 cm) de haut sur 14-1/2 po (36,8 cm) de large.

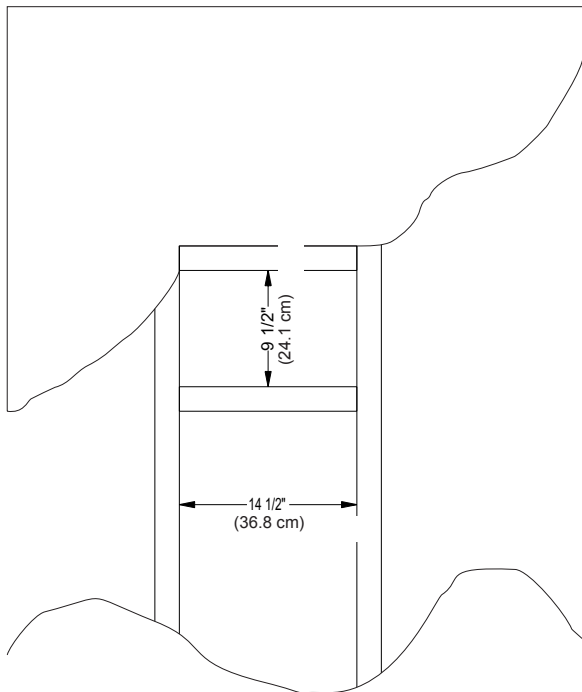


Figure 52

2. Découper une ouverture de 9-1/2 po (24.1 cm) de haut sur 14-1/2 po (36.8 cm) de large dans le mur en veillant à rester à l'intérieur du nouveau cadre.
3. Retirer les 6 vis n° 10-24 x 3/8 po indiquées aux **Figures 53 et 54** puis enlever la garniture frontale. Mettre la garniture frontale et le joint en mousse de côté.

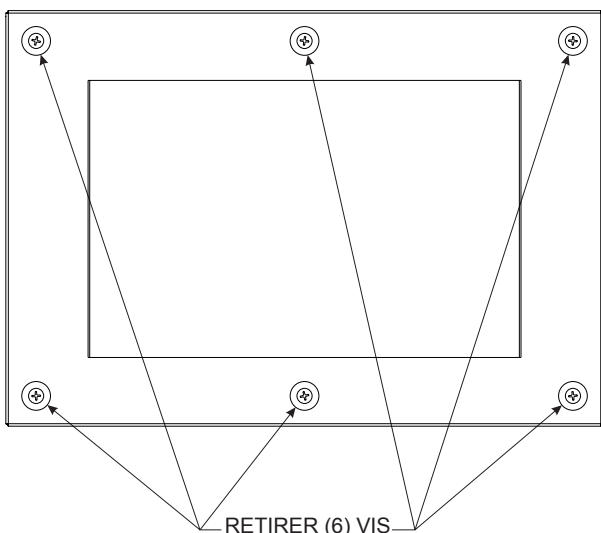


Figure 53

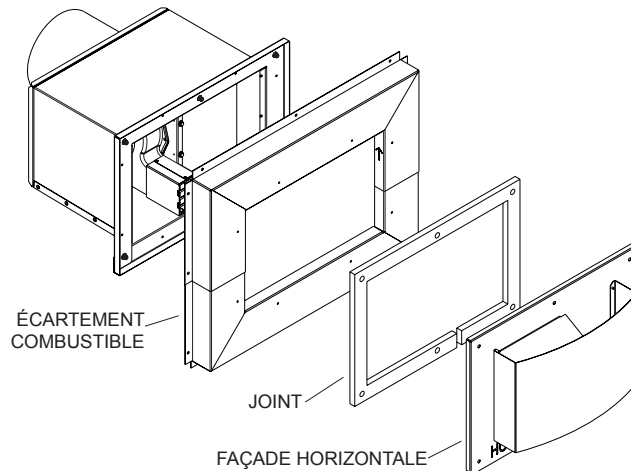


Figure 54

4. Poser le caisson d'évacuation forcée sur sa face avant et appliquer un cordon de pâte de silicone sur la surface arrière de la bride de façon à créer un joint étanche aux intempéries entre la bride de fixation et l'entretoise combustible. Puis fixer le caisson d'évacuation forcée à l'entretoise à l'aide de 8 vis à tôle n° 10.

REMARQUE : La pâte d'étanchéité doit avoir une résistance nominale pour l'exposition continue à la chaleur d'au moins 300 °F (149 °C).

5. Appliquer un cordon de pâte de silicone sur la bride de l'entretoise. Placer le caisson d'évacuation forcée dans l'ouverture avec la sortie d'inducteur vers le bas puis attacher avec les 8 vis n° 10 x 1 po comme illustré à la **Figure 55.**

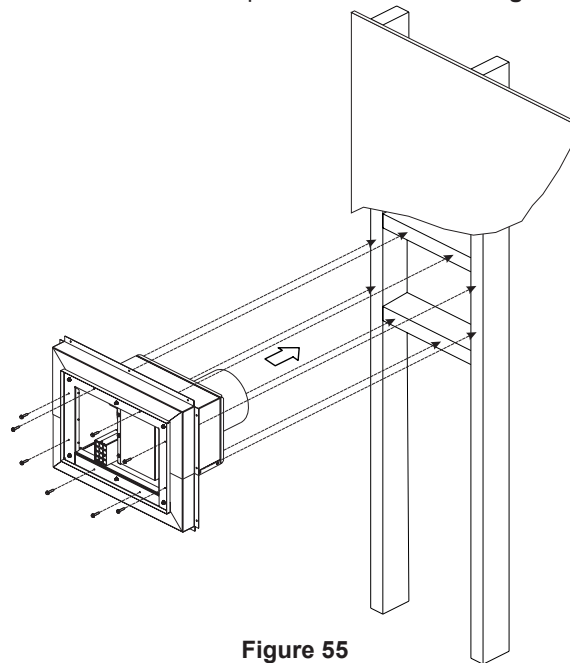


Figure 55

6. Appliquer un cordon de pâte de silicone de façon à créer un joint étanche à l'eau entre le matériau de finition et la bride de l'entretoise.
7. Remonter le joint en mousse avec la découpe en bas puis la garniture frontale à l'aide de 6 vis n° 10-24 x 3/8 po.

REMARQUE : Pour les murs non combustibles, une entretoise n'est pas nécessaire.

ÉVÉNEMENT DE PUISSANCE

ENTRETIEN ET SERVICE

Cet événement n'a aucun composant mécanique utilisable par l'utilisateur. Contactez votre concessionnaire ou un technicien qualifié pour l'entretien et la réparation des appareils à gaz.

VÉRIFIER LE SYSTÈME DE VENTILATION

Le foyer et le système de ventilation doivent être inspectés avant l'utilisation initiale et au moins une fois par an par une personne de service qualifiée. Inspectez régulièrement le capuchon de ventilation externe pour vous assurer qu'aucun débris n'interfère avec le flux d'air.

PEINTURE POWER-VENT

Le carénage avant et la boîte à air d'entrée peuvent être peints si vous le souhaitez. Toutes les surfaces à peindre doivent être soigneusement nettoyées et éraflées avec de la laine d'acier. La peinture doit avoir une température nominale supérieure à 750 ° F.

INFORMATIONS GÉNÉRALES

REMARQUE : Le ventilateur de l'inducteur de ventilation fonctionnera pendant 15 secondes après la mise sous tension du foyer. Après ce temps de pré-purge, la séquence d'allumage sera lancée.

REMARQUE : Le ventilateur de l'inducteur de ventilation fonctionnera pendant 120 secondes après l'extinction du foyer pour purger le système des gaz d'échappement.

APPLICATIONS À FORT VENT

POUR LES APPLICATIONS À FORT VENT, UN PARE-BRISE EST FOURNI AVEC L'UNITÉ.

1. Retirez le carénage avant en retirant (6) vis # 10-24 X 3/8 pouces. **Voir Figure 53.**
2. Retournez le carénage et fixez le pare-brise avec (1) vis #8 X 1/4 de pouce, comme illustré aux **Figures 56 et 57.**

BOUCLIER DE FASCIA ENLEVÉ POUR PLUS DE CLARTÉ

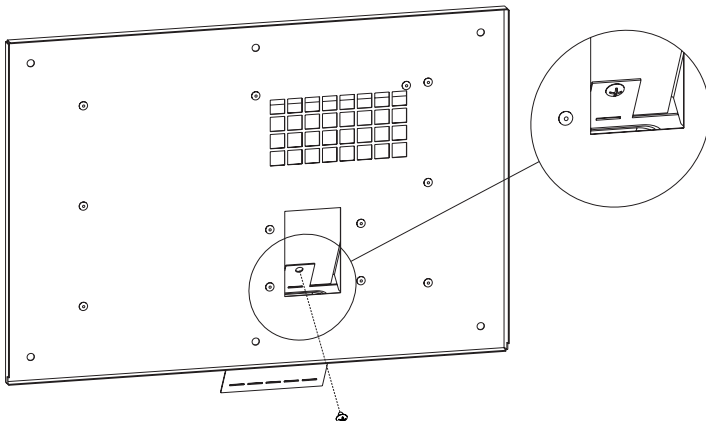


Figure 56

BOUCLIER DE FASCIA ENLEVÉ POUR PLUS DE CLARTÉ

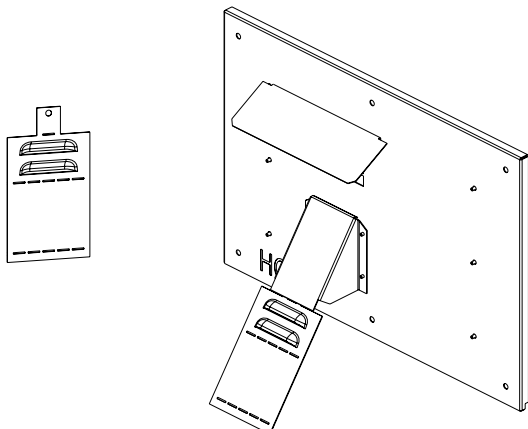


Figure 57

3. Faites 3 coudes à la main sur le pare-brise comme indiqué ci-dessous dans les **Figures 58, 59 et 60.**

BOUCLIER DE FASCIA ENLEVÉ POUR PLUS DE CLARTÉ

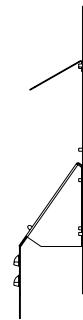


Figure 58

BOUCLIER DE FASCIA ENLEVÉ POUR PLUS DE CLARTÉ

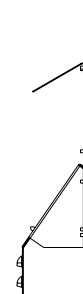


Figure 59

BOUCLIER DE FASCIA ENLEVÉ POUR PLUS DE CLARTÉ

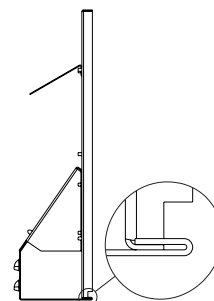


Figure 60

RÉGLAGE DE L'AMORTISSEUR

Réglage de l'Amortisseur

Cet appareil dispose d'un amortisseur réglable pour une utilisation uniquement avec des unités à terminaison verticale. L'amortisseur est livré en position complètement ouverte et peut être réglé par installation. Pour le régler, desserrez la vis cruciforme et tournez la poignée vers la gauche pour la fermer. Nous recommandons un 1/3 fermé sur les installations au-dessus de 30 pieds. Voir Figures 61 à 63.

AVERTISSEMENT

Régler l'amortisseur uniquement pour les unités à terminaison verticale. Ne pas ajuster pour les unités à terminaison horizontale.

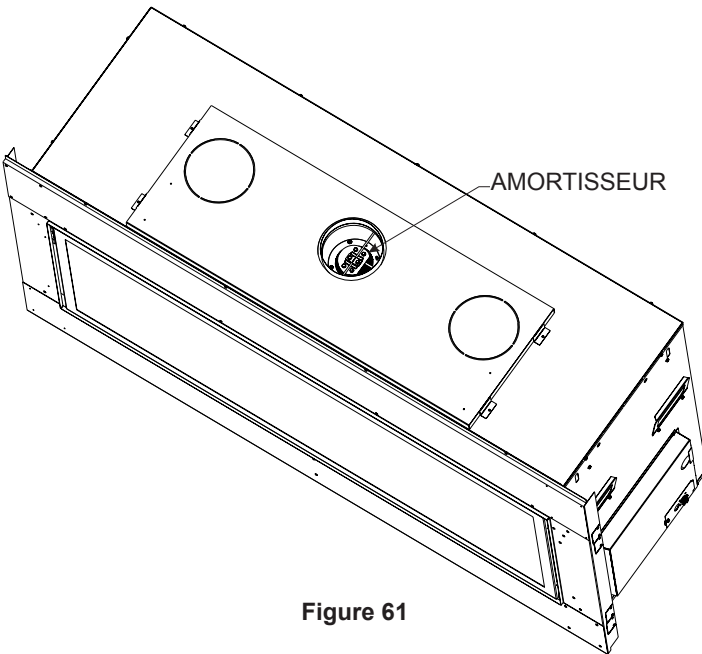


Figure 61

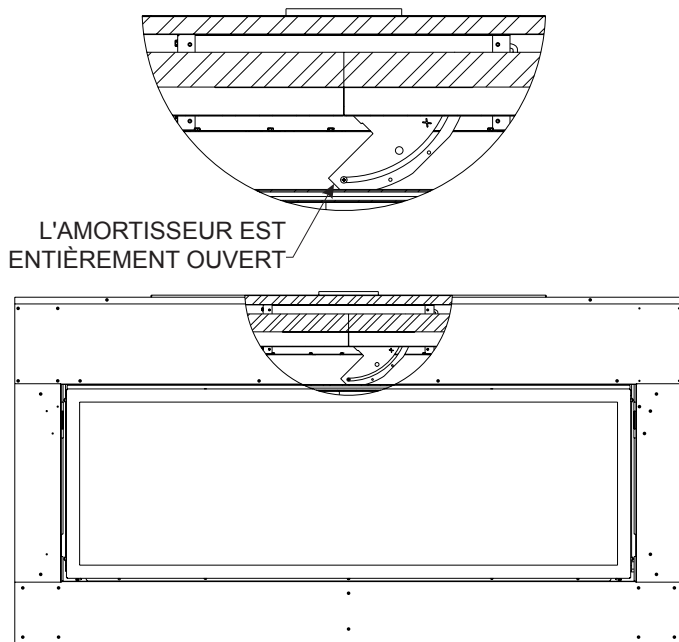


Figure 62

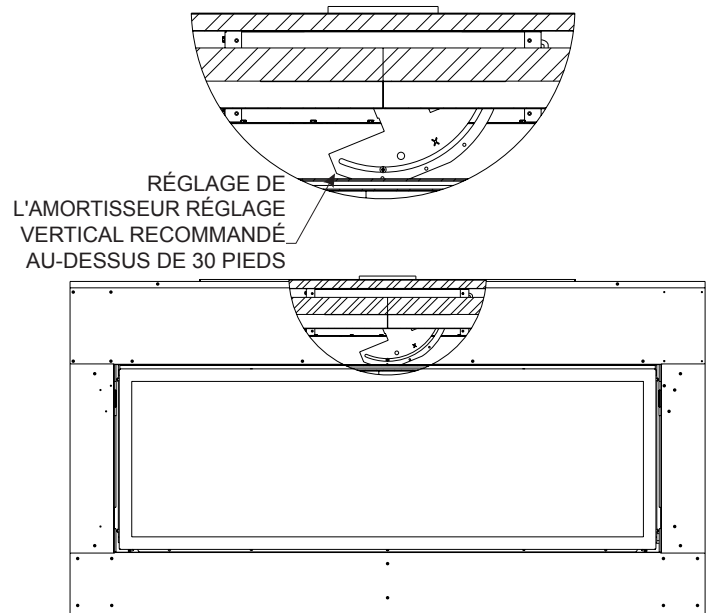


Figure 63

RÉGLAGE DE L'OBTURATEUR D'AIR

Cette Unité Est Équipée De Volets D'Aération Réglables (2).

Les volets d'aération peuvent être réglés à l'extérieur pendant que l'appareil brûle. L'appareil est envoyé avec le réglage recommandé, mais peut avoir besoin d'être réglé avec précision par l'installateur.

REMARQUE : Le foyer doit être éteint et refroidi au toucher avant de continuer.

1. Retirez l'écran de barrière et la porte vitrée. Voir la section entretien et entretien de ce manuel. **Voir Figure 64.**

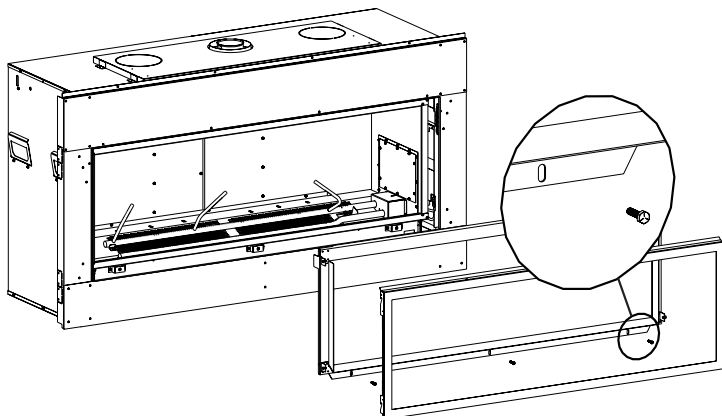


Figure 64

2. Desserrer les vis (2) qui verrouillent les poignées de l'obturateur d'air. **Voir Figure 65.**

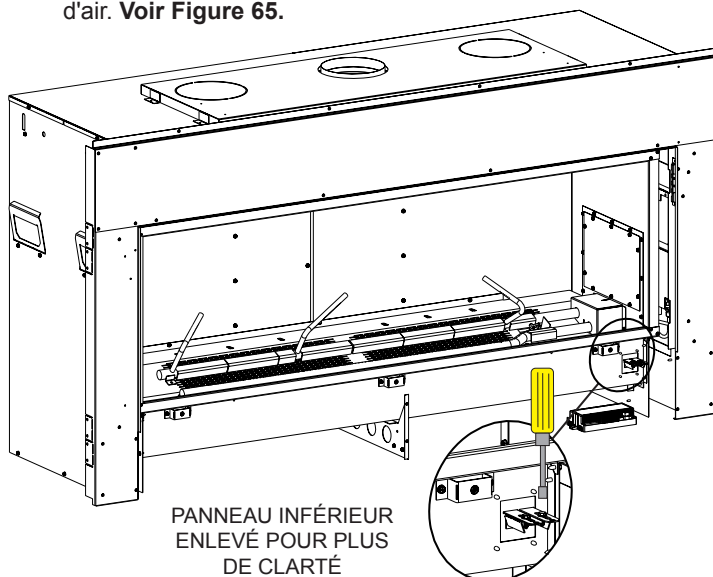


Figure 65

3. Remplacer la porte vitrée. Voir la section entretien et entretien de ce manuel.
4. Allumez l'appareil, consultez les instructions d'utilisation dans les instructions du propriétaire de la maison, laissez l'appareil se réchauffer de 15 à 30 minutes pour obtenir son apparence de flamme complète.
5. Vous pouvez maintenant régler les volets d'air. La poignée de volet d'air droite ajuste le volet d'air arrière et la poignée de volet d'air gauche ajuste le volet d'air avant. Faites glisser la poignée du volet d'air vers l'unité pour la fermer et retirez-la pour l'ouvrir. **Voir Figure 66.**

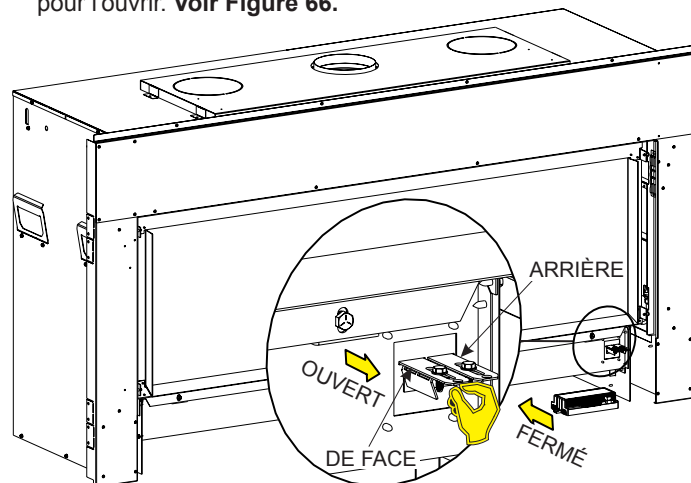


Figure 66

6. Éteignez l'appareil et laissez refroidir avant de remplacer l'écran barrière. Voir la section entretien et entretien de ce manuel.

INSTRUCTIONS D'UTILISATION DE LA TÉLÉCOMMANDE MULTIFONCTION

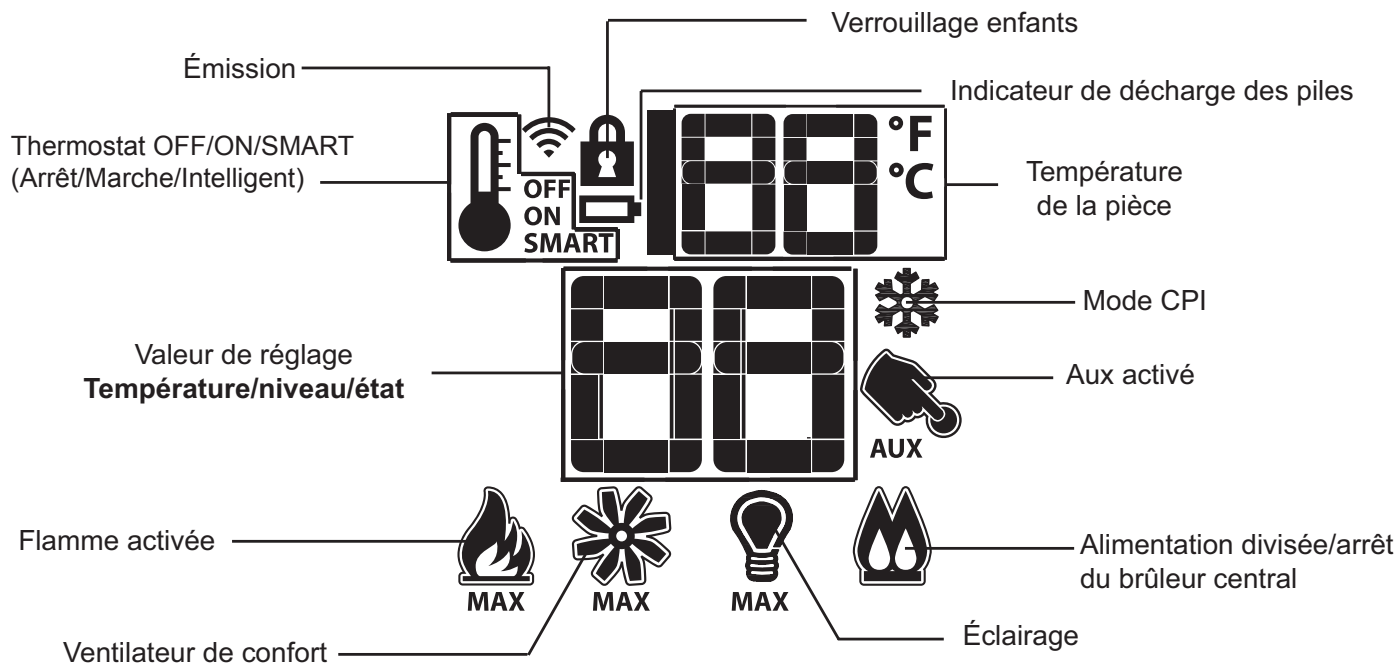


Figure 67

DONNÉES TECHNIQUES	
Télécommande	
Tension d'alimentation	4.5 V (trois piles AAA de 1.5 V)
Température ambiante d'utilisation	0 à 50 °C (32 à 122 °F)
Fréquence radio	315 MHz

⚠ AVERTISSEMENT

L'émetteur et le récepteur sont des dispositifs radioélectriques. Le placement du récepteur à l'intérieur ou à proximité d'un objet métallique réduit la portée du signal.

⚠ AVERTISSEMENT

Couper l'arrivée de gaz et l'alimentation électrique principales de l'appareil durant l'installation et l'entretien du récepteur.

⚠ AVERTISSEMENT

RISQUE D'INCENDIE. PEUT PROVOQUER DES BLESSURES GRAVES OU LA MORT.
Ce récepteur provoque l'allumage de l'appareil. L'appareil peut se mettre en marche soudainement. Se tenir à l'écart du brûleur de l'appareil lors de l'utilisation de la télécommande ou de l'activation de la priorité manuelle de la télécommande.

⚠ ATTENTION

RISQUE DE DÉGÂTS MATÉRIELS. UNE CHALEUR EXCESSIVE PEUT PROVOQUER DES DÉGÂTS MATÉRIELS.
L'appareil peut rester allumer pendant de longues heures. Éteindre l'appareil s'il doit rester sans surveillance pendant une durée quelconque. Toujours placer l'émetteur à un endroit inaccessible aux enfants.

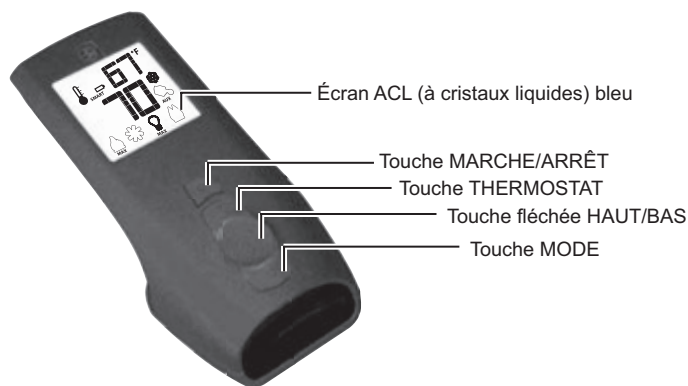


Figure 68

AVIS : Changer toutes les piles au moins une fois par an, de préférence en début de saison.

⚠ ATTENTION

RISQUE D'INCENDIE OU D'EXPLOSION.
Peut causer des dommages matériels, des blessures sérieuses ou la mort. Ne pas tenter de d.monter la commande de gaz ou de la nettoyer. Un mauvais assemblage ou nettoyage peut causer un fonctionnement non fiable.

UTILISATION DE LA TÉLÉCOMMANDE MULTIFONCTION

Affichage de la température en °C ou °F

Le système étant en position « OFF » (Arrêt), appuyer sur la touche Thermostat et la touche Mode en même temps. Regarder l'écran ACL sur l'émetteur pour vérifier qu'un °C ou °F est visible à la droite de l'afficheur de température de la pièce. **Voir Figures 69 et 70.**

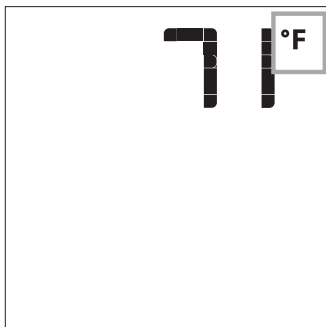


Figure 69

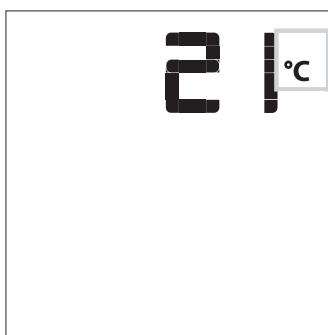


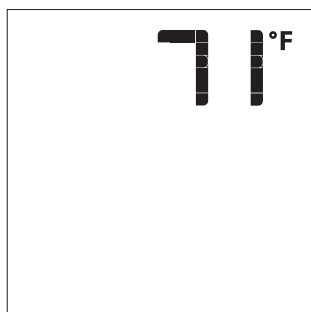
Figure 70

Mettre l'appareil en marche

Le système étant à l'ARRÊT, appuyer sur la touche MARCHE/ARRÊT de l'émetteur. L'écran de l'émetteur affiche d'autres icônes actives. En même temps, le récepteur active l'appareil. Un « bip » sonore du récepteur confirme la réception de la commande.

Mettre l'appareil à l'ARRÊT

Le système étant en MARCHE, appuyer sur la touche MARCHE/ARRÊT de l'émetteur. L'écran de l'émetteur affiche alors uniquement la température de la pièce. **Voir Figure 71.** En même temps, le récepteur met l'appareil à l'arrêt. Un « bip » sonore du récepteur confirme la réception de la commande.

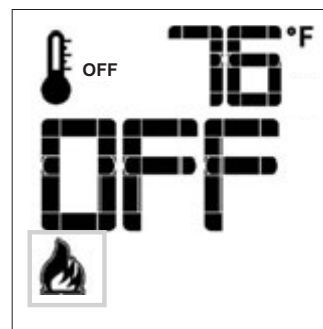


Affichage de la télécommande - Figure 71

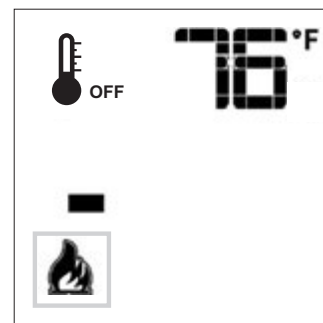
Commande de la flamme à distance

Le Proflame a six niveaux de flamme. Le système étant en marche et le niveau de la flamme de l'appareil réglé au maximum, appuyer une fois sur la touche fléchée Bas pour réduire la hauteur de flamme d'un niveau, jusqu'à l'éteindre complètement.

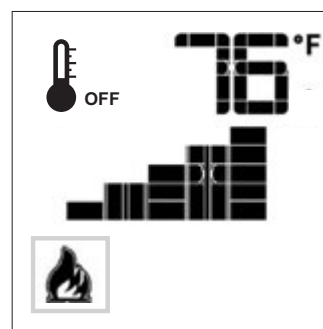
La touche fléchée Haut augmente la hauteur de flamme chaque fois qu'elle est enfoncée. Si la touche fléchée Haut est enfoncée alors que le système est en marche mais que la flamme est éteinte, la flamme s'allume au niveau haut. **Voir Figures 72 à 75.** Un « bip » sonore confirme la réception de la commande.



Flamme Off (arrêt), - Figure 72

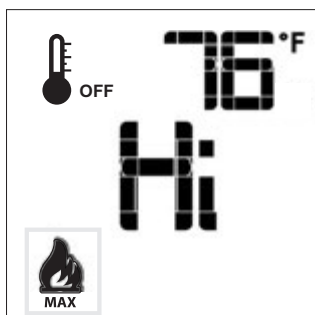


Flamme au niveau 1 - Figure 73



Flamme au niveau 5 - Figure 74

INSTRUCTIONS D'UTILISATION DE LA TÉLÉCOMMANDE MULTIFONCTION



Flamme au niveau maximum - Figure 75

La fonction Thermostat peut être désactivée au besoin.

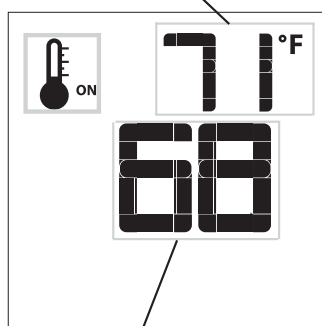
Les trois piles AAA étant insérées :

1. Retirer une pile AAA.
2. Lors de la réinsertion de la pile AAA, pousser et maintenir enfoncé la touche du thermostat. Ceci désactive la fonction du thermostat de l'émetteur.

Thermostat de pièce (fonctionnement de l'émetteur)

La télécommande peut fonctionner en tant que thermostat de pièce. Le thermostat peut être réglé à la température souhaitée pour réguler le niveau de confort dans une pièce. Pour activer cette fonction, appuyer sur la touche Thermostat. Voir Figure 68. L'écran de l'émetteur change pour afficher que le thermostat de pièce est activé « ON » et le réglage de température est à présent affiché. Voir Figure 76. Pour ajuster le réglage de température, appuyer sur les touches fléchées Haut et Bas jusqu'à ce que le réglage de température souhaité soit affiché sur l'écran de l'émetteur. Voir Figure 77.

TEMPÉRATURE DE LA PIÈCE



TEMPÉRATURE RÉGLÉE

Figure 76

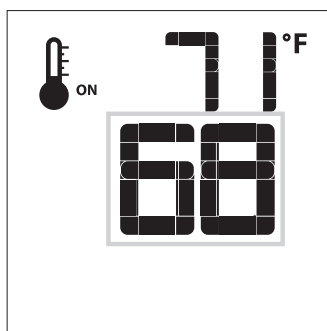


Figure 77

Thermostat intelligent (fonctionnement de l'émetteur)

La fonction de thermostat intelligent (Smart) ajuste la hauteur de flamme en fonction de la différence entre la valeur de réglage de la température et la température réelle dans la pièce. À mesure que la température de la pièce approche la valeur de réglage, la fonction Smart réduit la hauteur de flamme. Pour activer cette fonction, appuyer sur la touche Thermostat jusqu'à ce que le terme « SMART » s'affiche à droite de l'icône de thermomètre. Voir Figure 78. Pour ajuster le réglage de température, appuyer sur les touches fléchées Haut et Bas jusqu'à ce que le réglage de température souhaité soit affiché sur l'écran de l'émetteur. Voir Figure 79.

REMARQUE : Lorsque le thermostat intelligent est activé, le réglage manuel de la hauteur de flamme est désactivé.

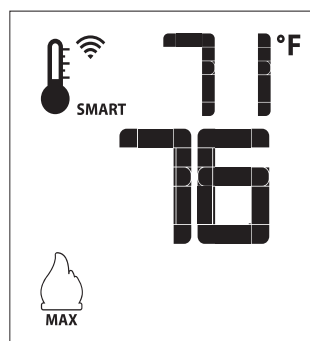


Figure 78

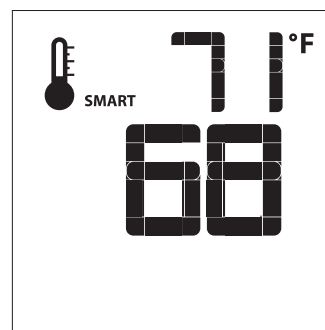


Figure 79

INSTRUCTIONS D'UTILISATION DE LA TÉLÉCOMMANDE MULTIFONCTION

Commande de la soufflante (ventilateur)

Si l'appareil est équipé d'un ventilateur de circulation d'air chaud, la vitesse du ventilateur peut être réglée par le système Proflame. Le ventilateur présente six réglages de vitesse. Pour activer cette fonction, utiliser la touche Mode à la **Figure 68** jusqu'à afficher l'icône de ventilateur. **Voir Figure 80**. Utiliser les touches fléchées Haut/Bas à la **Figure 68** pour activer ou désactiver le ventilateur ou ajuster sa vitesse. **Voir Figure 80**. Un « bip » sonore confirme la réception de la commande.



Figure 80

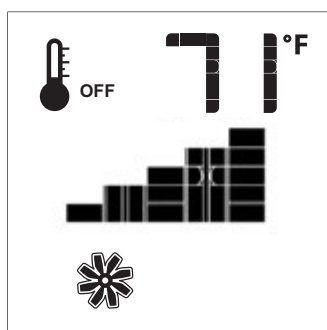


Figure 81

Commande de variateur à distance (éclairage)

La fonction auxiliaire commande la prise du témoin d'alimentation à l'aide de la commande du voyant d'intensité réglable. Pour activer cette fonction, utiliser la touche Mode à la **Figure 68** pour indexer l'icône de lumière. **Voir Figures 82 et 83**.

L'éclairage comporte six réglages d'intensité. Utiliser les touches fléchées Haut/Bas à la **Figure 68** pour ajuster le niveau d'intensité. Un « bip » sonore confirme la réception de la commande.

REMARQUE : Cette fonction n'est proposée qu'avec le module de commande IFC.

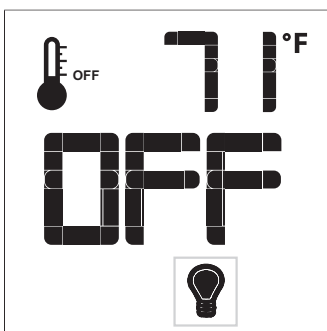


Figure 82

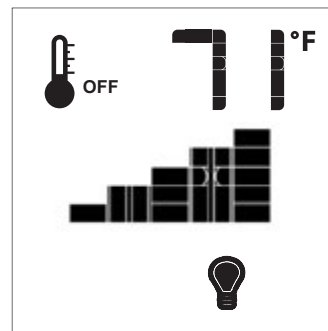


Figure 83

Commande de l'alimentation divisée

Le brûleur secondaire est contrôlé par la fonction d'alimentation divisée (Split Flow). Pour activer cette fonction, utiliser la touche Mode, **Figure 68**, jusqu'à afficher l'icône de mode SPLIT FLOW (Alimentation divisée). **Voir Figures 84 et 85**.

Appuyer sur la touche fléchée Haut pour activer le brûleur secondaire. Appuyer sur la touche fléchée Bas pour désactiver le brûleur secondaire. Un « bip » sonore confirme la réception de la commande.

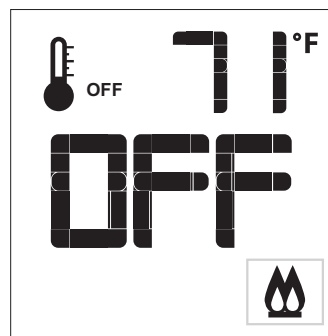


Figure 84

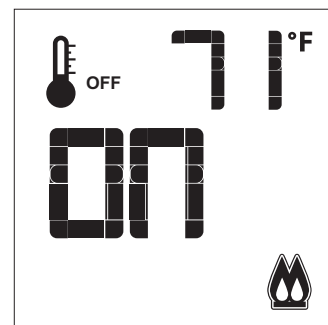


Figure 85

INSTRUCTIONS D'UTILISATION DE LA TÉLÉCOMMANDE MULTIFONCTION

Télécommande de relais auxiliaire (en option avec ce foyer)

La fonction auxiliaire commande la prise du relais AUX. Pour activer cette fonction, utiliser la touche Mode à la **Figure 68** pour afficher l'icône de lumière, **Figures 86 et 87**. Appuyer sur la touche fléchée Haut pour activer la prise. Appuyer sur touche fléchée Bas pour éteindre brûleur secondaire. Un « bip » sonore confirme la réception de la commande.



Figure 86

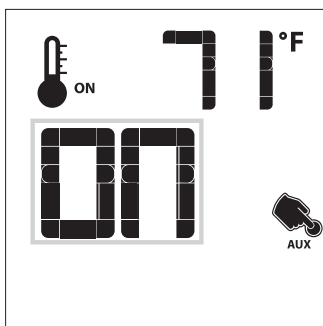


Figure 87

VERROUILLAGE DES TOUCHES

Cette fonction verrouille les touches pour éviter toute utilisation sans surveillance.

Pour activer cette fonction, appuyer en même temps sur les touches MODE et flèche HAUT. **Voir Figure 88.**

Pour désactiver cette fonction, appuyer en même temps sur les touches MODE et flèche HAUT.

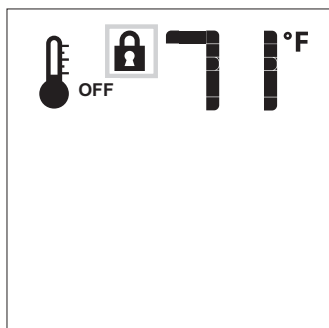


Figure 88

DÉTECTION DE DÉCHARGE DES PILES - ÉMETTEUR

L'autonomie des piles de la télécommande dépend de divers facteurs : qualité des piles utilisées, nombre d'allumages de l'appareil, nombre de modifications du réglage du thermostat, etc.

Lorsque les piles de l'émetteur sont faibles, une icône s'affiche sur l'écran de l'émetteur (**Voir Figure 89**) avant que les piles soient complètement déchargées. Une fois que les piles sont changées, cette icône disparaît.

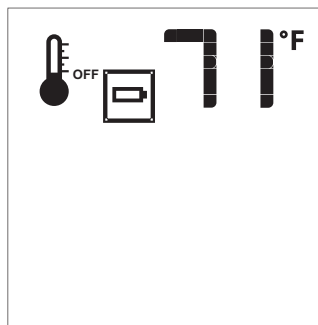


Figure 89

INSTRUCTIONS D'UTILISATION DE LA TÉLÉCOMMANDE MULTIFONCTION

DÉFINITION DE L'ÉTAT BLOQUÉ

Un état bloqué est atteint lorsqu'il se produit une erreur d'allumage. L'état bloqué reste en mémoire aussi longtemps que les alimentations électriques sont appliquées.

Cela peut signifier qu'une flamme irrégulière est détectée ou qu'il s'est produit trop d'échecs d'allumage.

Cet état est un mode de sécurité de l'appareil auquel la carte de commande (IFC) accède automatiquement.

Lorsque la carte de commande IFC passe à l'état bloqué :

1. les solénoïdes de veilleuse et de brûleur principal sont tous deux désexcités dans la vanne de gaz;
2. un code de diagnostic est émis au moyen du voyant de diagnostic rouge;
3. la carte de commande ignore toute commande d'allumage du brûleur et reste à l'état d'arrêt jusqu'à ce que la séquence de commande de déblocage soit satisfaite.

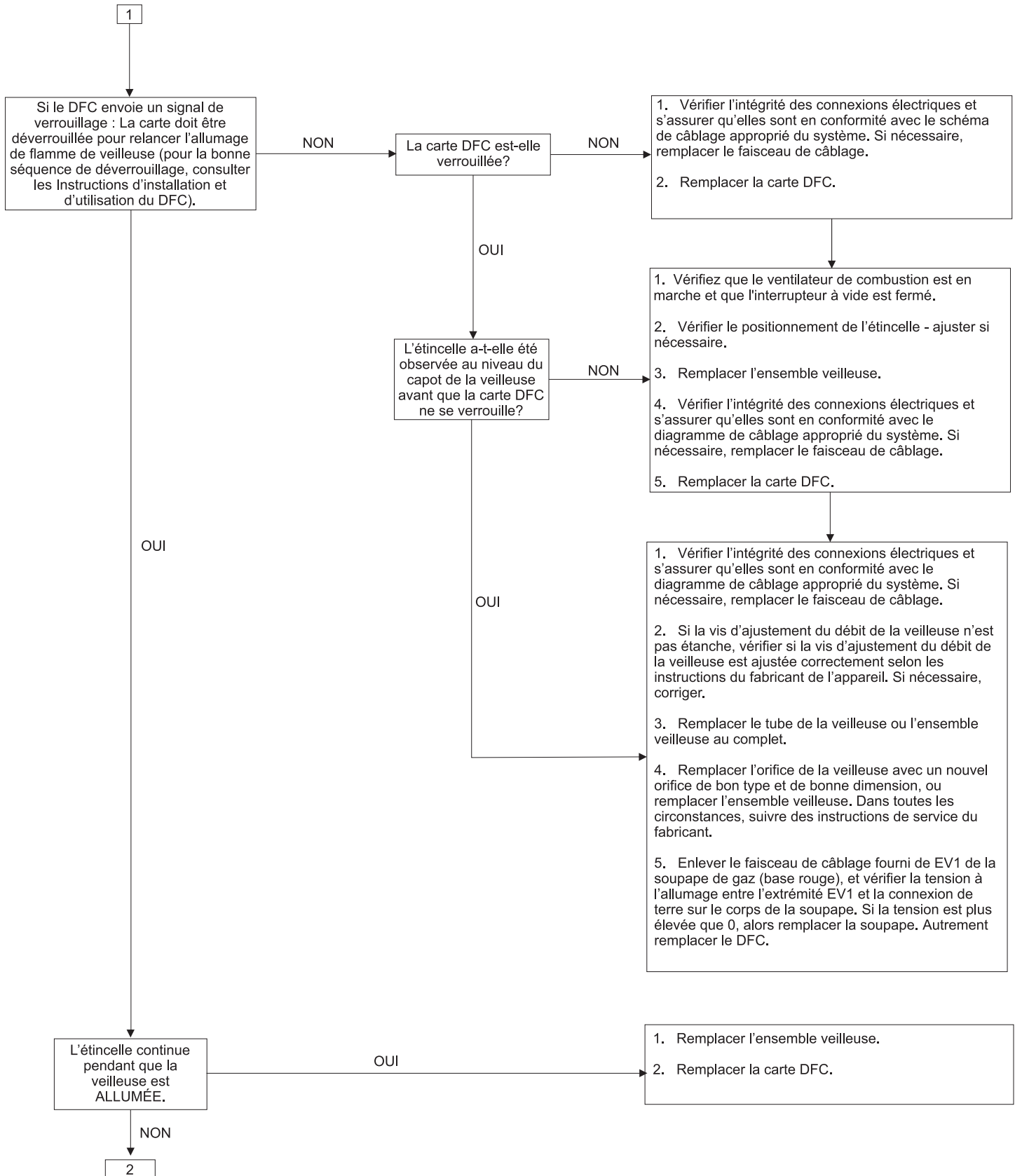
Les causes du blocage doivent être recherchées dans des conditions sécuritaires par l'utilisateur ou le personnel d'entretien.

Pour réinitialiser la carte de commande depuis un état bloqué :

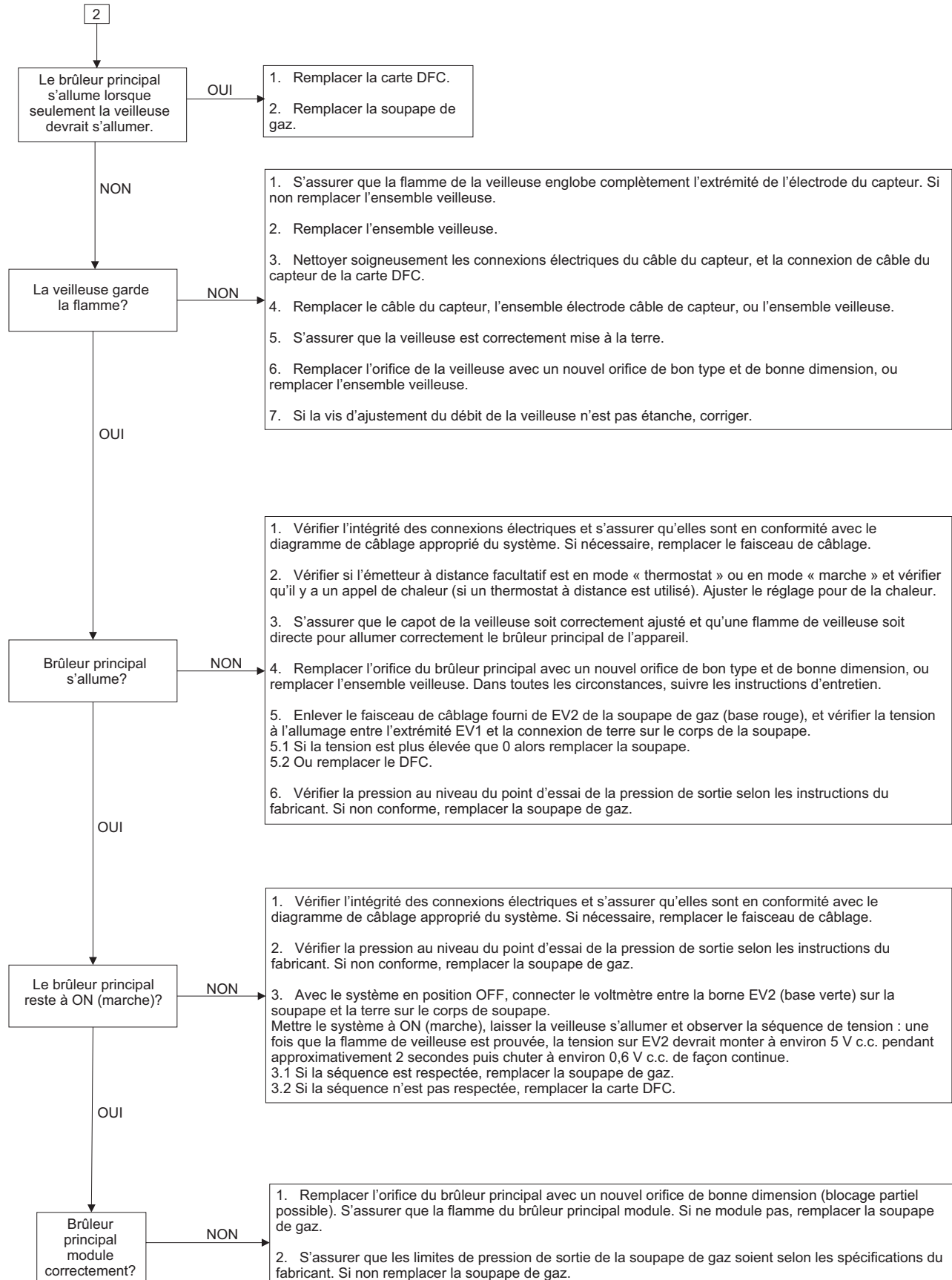
Mettre le système d'alimentation électrique à ARRÊT (hors tension), à l'aide de la commande murale ou de la télécommande, pendant deux ou trois secondes, puis le remettre sous tension.

Le retour du système en fonctionnement normal doit être vérifié dans des conditions sécuritaires par l'utilisateur ou le personnel d'entretien.

DÉPANNAGE DU SYSTÈME DE CONTRÔLE



DÉPANNAGE DU SYSTÈME DE CONTRÔLE (SUITE)



ENTRETIEN ET SERVICE

Dépose de la vitre et de l'écran de protection

1. Soulever l'écran de protection et le tirer vers soi.
2. Retirer les 3 boulons sur le bord inférieur de l'encadrement de vitre à l'aide d'une douille de 9/16 po. Basculer le bas de l'encadrement de vitre vers soi et le tirer vers le haut pour l'extraire de l'appareil. **Voir Figures 90 et 91.**

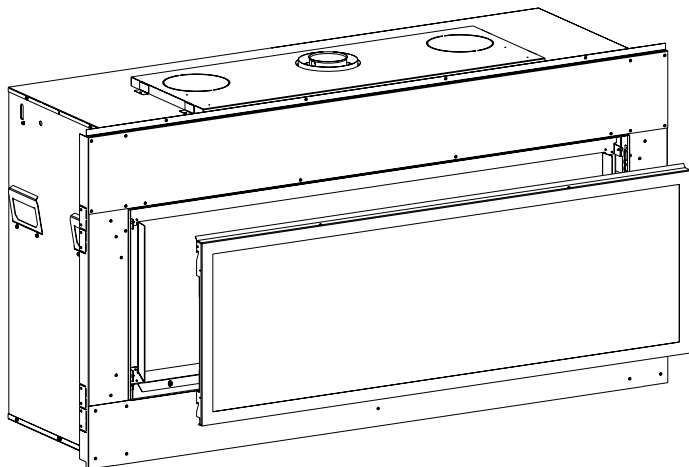


Figure 90

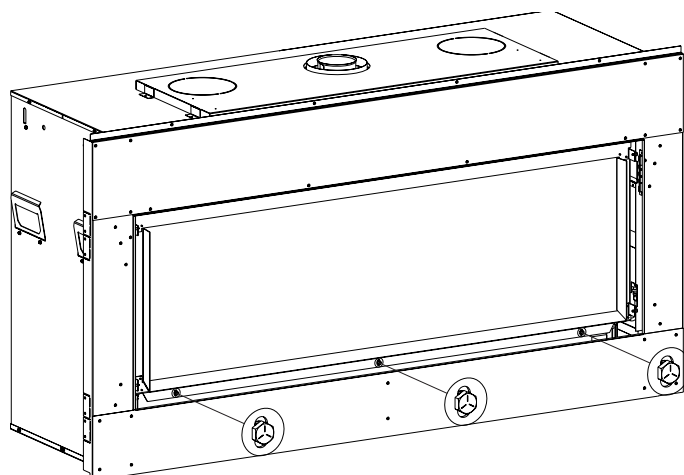


Figure 91

Changer l'ampoule

1. Déposer les éléments ci-dessous :
 - Écran de protection
 - Encadrement de vitre

Cet appareil est fourni de série avec deux éclairages fixés sous le dessus du foyer. Pour accéder à l'ampoule, quatre vis doivent être retirées (par éclairage) pour démonter les éléments suivants :

Voir Figure 92.

- Monture d'encadrement métallique
- Vitre
- Joint d'étanchéité

REMARQUE : Porter des gants pour manipuler l'ampoule, les traces grasses des doigts diminueraient la durée de vie de l'ampoule.

2. Démontez l'ampoule usagée et la remplacez par une neuve. **Voir Figure 93.**

REMARQUE : Les ampoules peuvent être commandées auprès du concessionnaire Empire local ou achetées dans toute quincaillerie.

CARACTÉRISTIQUES DE L'AMPOULE

Halogène claire 35 W, douille 6,35 mm deux broches, 120 V CA, UL

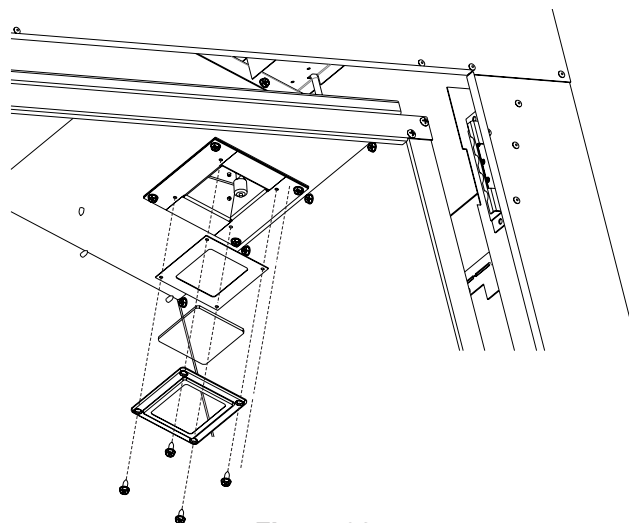


Figure 92

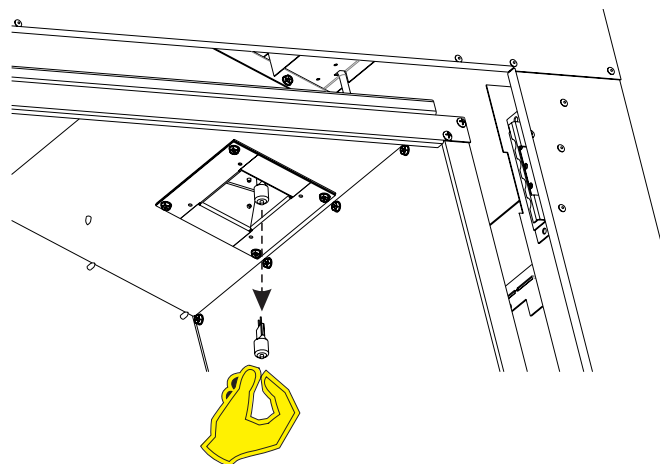


Figure 93

ENTRETIEN ET SERVICE (SUITE)

Précautions d'entretien

L'installation et la réparation doivent être effectuées par un technicien qualifié. Le foyer doit être inspecté avant utilisation et au moins une fois par an par un technicien qualifié. Un nettoyage plus fréquent peut être nécessaire en raison d'un excès de peluches provenant de tapis, de literie, etc. Il est impératif que les compartiments de commande, les brûleurs et les passages d'air de circulation du foyer soient maintenus propres.

Gardez le brûleur et le compartiment de contrôle propres.

Examinez périodiquement le système de ventilation et remplacez les pièces endommagées.

Effectuez une vérification visuelle périodique de la veilleuse et des brûleurs. Nettoyer et remplacer les pièces endommagées.

Cheminée endommagée

N'utilisez pas ce foyer si une pièce a été immergée. Appelez immédiatement un technicien de service qualifié pour inspecter le foyer et remplacer toute pièce du système de contrôle et tout contrôle de gaz qui a été sous l'eau.

En cas de catastrophe naturelle (tornade, tremblement de terre, incendie, etc.), demandez à un technicien qualifié d'inspecter le foyer pour des dommages ou des fuites de gaz potentielles. Réparez ou remplacez tout composant endommagé avant de faire fonctionner ce foyer.

POUR L'INSTALLATEUR

Inspection annuelle

- Faites inspecter le foyer chaque année avant de l'utiliser.
- Une inspection et un nettoyage plus fréquents peuvent être nécessaires si le foyer est installé dans une zone exposée aux poils d'animaux ou à la poussière, ou à des peluches excessives provenant de nouveaux tapis ou de nouveaux matériaux de literie.

Lors de la vérification annuelle, le technicien :

- Inspectez la veilleuse (système de sécurité de flamme) et le(s) brûleur(s) pour un fonctionnement correct et remplacez toute pièce endommagée.
- Testez et mesurez le temps de réponse en cas de défaillance de flamme du système de sécurité de flamme. Il doit désactiver la coupure de sécurité en moins de 30 secondes.
- Aspirez et nettoyez tous les débris étrangers dans la chambre de combustion qui ne sont pas censés s'y trouver.
- Inspectez et assurez-vous que l'allumage du brûleur principal se produit dans les 4 secondes suivant l'ouverture du robinet de gaz. L'inspection visuelle doit correspondre aux informations illustrées dans le manuel. Inspectez les ouvertures d'air primaire pour tout blocage.
- Vérifiez l'étanchéité du verre et du joint.
- Nettoyez la vitre avec un nettoyant pour vitres de foyer approprié. Les nettoyeurs abrasifs ne doivent pas être utilisés. Veillez à ne pas rayer le verre lors du nettoyage.
- Vérifiez l'ajustement et l'intégrité structurelle de l'écran barrière. **Voir la figure 64.**
- Inspectez le jeu de bûches (le cas échéant) et les supports décoratifs (le cas échéant) pour les débris ou les dommages.
- Rafraîchir les braises incandescentes s'il y a lieu.
- Remplacez les piles de l'émetteur et du récepteur à distance le cas échéant.
- Inspectez l'évent et le capuchon de terminaison d'évent pour tout dommage, corrosion, suie ou obstruction et corrigez le cas échéant.
- Vérifiez tous les tubes de transport de gaz accessibles, les connexions, tuyaux et autres composants pour les fuites.
- De plus, nettoyez et inspectez le foyer après tout travail de rénovation dans votre maison.

SCHÉMA DE CÂBLAGE DES COMPOSANTS

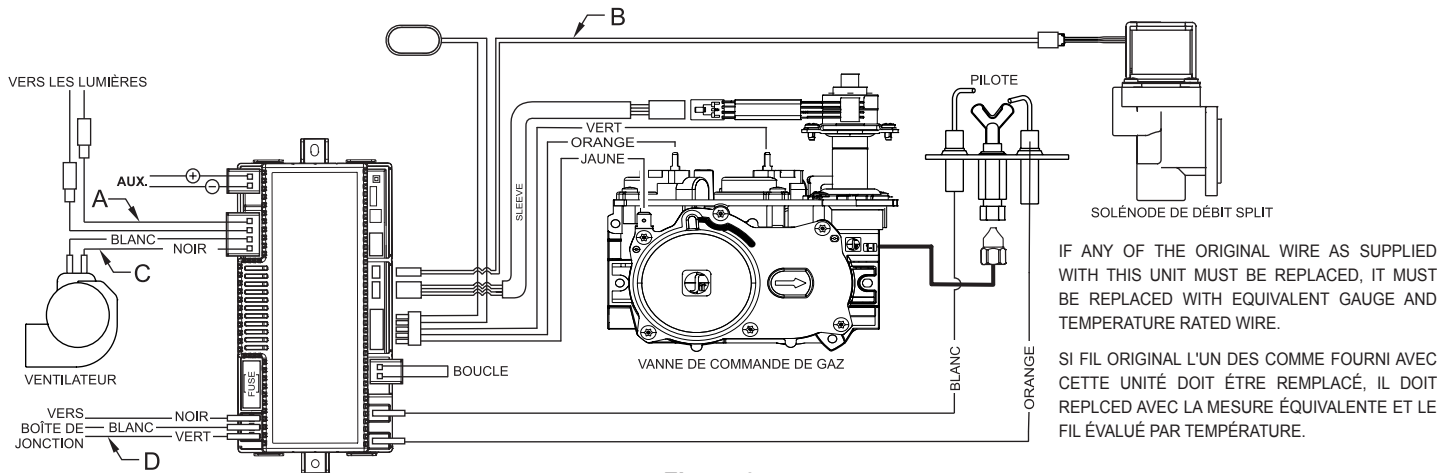


Figure 94

NUMÉRO D'INDEX	LA DESCRIPTION	NUMÉRO D'ARTICLE
A	Faisceau de câbles, terminaison de lumière d'accentuation	R12269
B	Faisceau de câbles, Proflame2	R11551
C	Assemblage de fil (souffleur)	R12256
D	Faisceau de fils, module à boîte de jonction	R11730
*E	Faisceau de fils, pressostat	R13381
*F	Faisceau de câbles, évent électrique	R13382

*E and F in power vent wiring graphic.

SCHÉMA DE CÂBLAGE DES COMPOSANTS (SUITE)

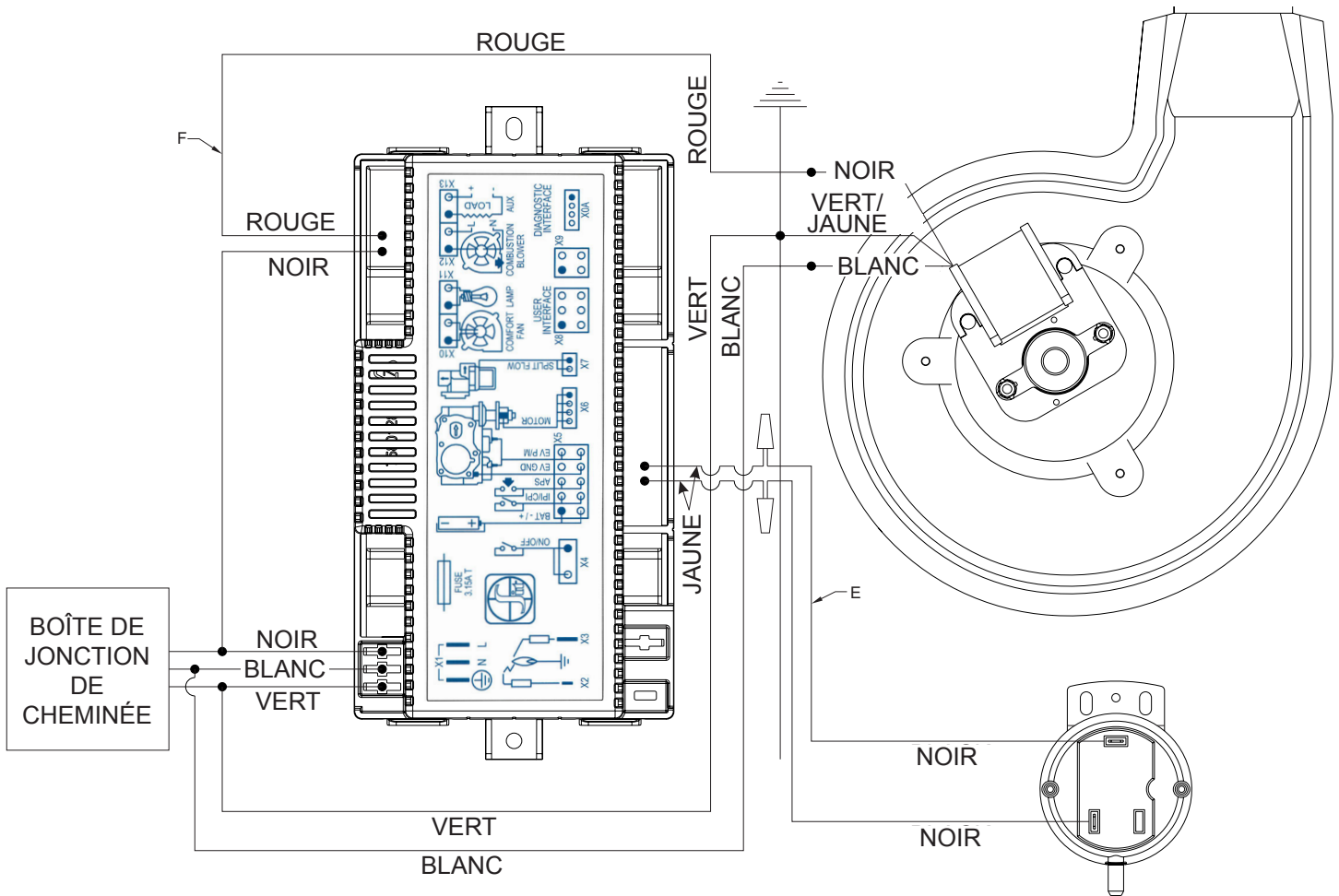
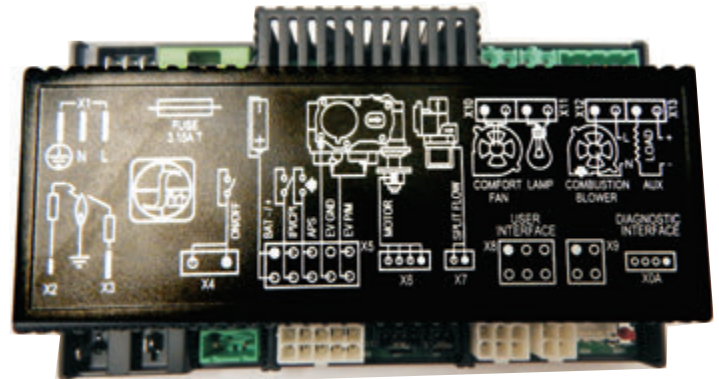


Schéma de Câblage de L'Évent d'Alimentation
Figure 95

0.584.305 (07)TE 00COD 1606			
In :X1	Alimentation électrique	120V-60Hz	2.5A max
X5	Batterie de secours	6V	1A max
Out: X2	Allumeur d'étincelles	>10KV(5mm)	1Hz
X3	Détection de flamme	120Vpk-pk	300uApk-pk
X6	Vanne pas à pas	6V	0.150A
X7	Vanne SplitFlow	4.5V	0.600A
X10	Ventilateur de confort	120V-	2.0A (0.5pf)
In/Out: X11	Lumière dimmable	120V-	0.6A (0.5pf)
X0,4,8,9	E/S numériques	3V3	
X5	Pilot.Main Valve	5V	0.012A
X12,13	Ventilateur de brûleur, Aux	120V-60Hz	5.0A (0.5pf)

Made in China

Bas du module récepteur
Figure 96



Haut du module Récepteur
Figure 97

NOMENCLATURE DES PIÈCES

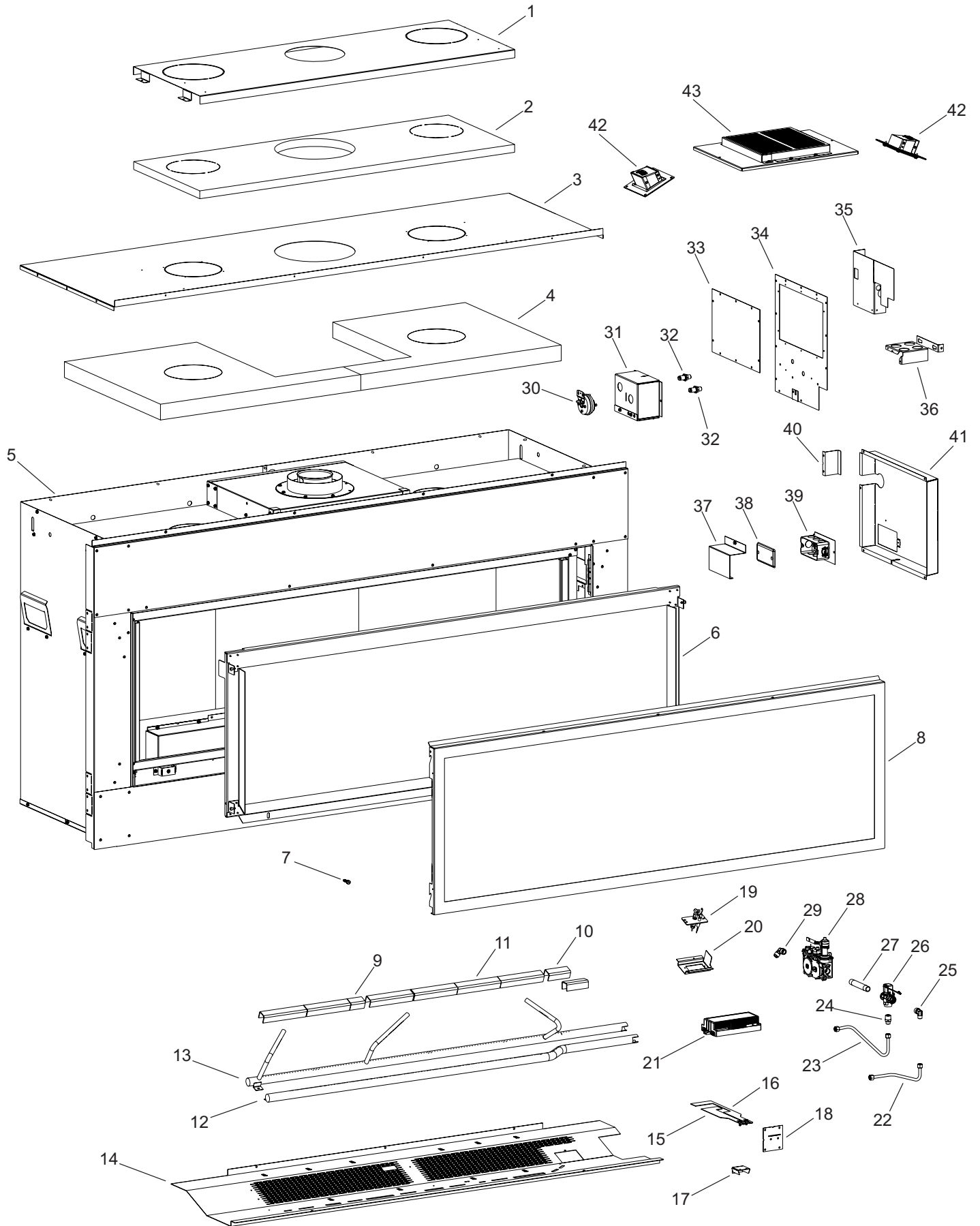
NO. D'INDEX	DVCTL60 PARTIE#	DESCRIPTION
1	43951	Bouclier thermique, Haut
2	R11963	Isolation
3	43723	Dessus Extérieur
4	R13378	Isolation (2)
5	N/A	Ensemble Peint de Cheminée
6	43741	Assemblage de Cadre en Verre
7	R13327	Boulon (3)
8	43746	Assemblage de Cadre d'Écran
9	42984	Support en laine de roche 2"
10	42883	Support en laine de roche 3" (2)
11	42985	Rockwool Support 6" (6)
12	R13324	Brûleur - Avant
13	R13325	Brûleur - Arrière
14	43760	Base du Brûleur
15	43757	Glissière de volet d'air - Avant
16	43758	Glissière de volet d'air - Arrière
17	43756	Base de glissière de volet d'air
18	43759	Base, Volet d'air
19	R13326	Assemblage Pilote
20	43754	Support Pilote
21	43960	Module de Commande
22	43730	Assemblage de tubes - Avant
23	43731	Assemblage de tubes - Arrière
24	R2423	Adaptateur Mâle
25	R6207	Coude
26	R12278	Solénoïde
27	P133	Mamelon de Tuyau
28	R11233	Vanne de Gaz
29	R10882	Coude
30	R12576	Interrupteur à Vide
31	43732	Boîte à Air, Ensemble d'Orifice
32	P212	Porte-orifice (2)

NO. D'INDEX	DVCTL60 PARTIE#	DESCRIPTION
33	43729	Plaque d'Accès Murale du Brûleur
34	43728	Mur de Brûleur
35	30947	Support de Valve
36	34741	Support de Valve - Support
37	33332	Bouclier Thermique de Boîte de Jonction
38	R11243	Couvercle de Boîte de Jonction
39	17162	Assemblage de Boîte de Jonction
40	38248	Plaque D'Accès à la Conduite de Gaz
41	38229	Boîte d'Accès
42	43737	Lumière d'accent, Ensemble de boîte (2)
43	43750	Ensemble de Boîte de Catalyseur
N/S	P181	Orifice - Avant #43
N/S	P296	Orifice - Arrière 3.1 mm
N/S	15496	Rockwool
N/S	R9641	Verre, Lampe d'accent
N/S	R9642	Lunette, Lampe d'Accent
N/S	R11524	Faisceau de câbles, Récepteur
N/S	R11545	Bornier Souffleur de Lumière
N/S	R11730	Faisceau De Câbles, Module À Boîte De Jonction
N/S	R12256	Ensemble de fil (ventilateur)
N/S	R12269	Faisceau de câbles, Accent Léger Résiliation
N/S	R12270	Fil de cavalier, Module
N/S	R7591	Ligne Flexible, 3/8 X 12 Pouces Avec Vanne d'arrêt
N/S	R11550	Distant contrôle
N/S	R13237	Ampoule (2)

N/S = NON AFFICHÉ

* Commandez également un cavalier R12270. **REMARQUE** : Le cavalier doit être connecté aux bornes "X4" du module de commande Profleme II.

VUE DES PIÈCES



LISTE DES DISTRIBUTEURS DE PIÈCES PRINCIPAUX

Pour commander des pièces sous garantie, adressez-vous au revendeur Empire local. Veuillez voir le concessionnaire au www.empirecomfort.com. Pour assurer un service sous garantie, le concessionnaire doit connaître votre nom, votre adresse, la date d'achat et le numéro de série du produit, ainsi que la nature du problème.

Pour commander des pièces après expiration de la période de garantie, veuillez communiquer avec votre concessionnaire ou avec l'un des distributeurs de pièces principaux indiqués ci-dessous. Cette liste est mise à jour de temps à autre. Pour consulter la liste courante, cliquez sur le bouton Master Parts à www.empirecomfort.com.

Remarque : Les distributeurs de pièces principaux sont des sociétés indépendantes qui stockent les pièces de rechange d'origine les plus couramment commandées pour les radiateurs, barbecues et foyers fabriqués par Empire Comfort Systems Inc.

Dey Distributing

1401 Willow Lake Boulevard
Vadnais Heights, MN 55101

Téléphone : +1 651-490-9191

Sans frais : 800-397-1339

Site Web : www.deydistributing.com

Pièces : Radiateurs, foyers et barbecues

F. W. Webb Company

200 Locust Street
Hartford, CT 06114

Téléphone : 860-722-2433

Sans frais : 800-243-9360

Télécopieur : 860-293-0479

Télec. sans frais : 800-274-2004

Sites Web : www.fwwebb.com et www.victormfg.com

Pièces : Radiateurs, foyers et barbecues

East Coast Energy Products

10 East Route 36
West Long Branch, NJ 07764

Téléphone : +1 732-870-8809

Sans frais : 800-755-8809

Télécopieur : +1 732-870-8811

Site Web : www.eastcoastenergy.com

Pièces : Radiateurs, foyers et barbecues

COMMENT COMMANDER DES PIÈCES DE RECHANGE

Pièces hors garantie

Les pièces peuvent être commandées auprès d'un réparateur, d'un revendeur ou d'un distributeur de pièces. Voir la liste des distributeurs de pièces principaux plus haut sur cette page. Pour obtenir de meilleurs résultats, il est conseillé au **réparateur ou revendeur** de commander les pièces auprès du distributeur. Les pièces peuvent être expédiées directement au **réparateur ou concessionnaire**.

Pièces sous garantie

Les pièces sous garantie nécessitent un justificatif d'achat et peuvent être commandées auprès du réparateur ou du revendeur. La preuve d'achat est **exigée** pour les pièces sous garantie.

Toutes les pièces figurant dans la Nomenclature des pièces comportent un numéro de pièce. Lors de la commande de pièces, voir d'abord le numéro de modèle et le numéro de série sur la plaque signalétique de l'appareil. Déterminer ensuite le numéro de pièce (**pas** le numéro de référence) et la description de chaque pièce à l'aide de l'illustration appropriée et de la liste. Veiller à bien fournir tous ces renseignements.

Numéro de modèle de l'appareil _____

Description de la pièce _____

Numéro de série de l'appareil _____

Numéro de pièce _____

Type de gaz (propane ou naturel) _____

Ne pas commander de boulons, vis, rondelles ou écrous. Ce sont des articles de quincaillerie standard pouvant être achetés dans toute quincaillerie locale.

Livraisons sous réserve de grèves, incendies et autres causes indépendantes de notre volonté.

GARANTIE

Empire Comfort Systems Inc. garantit que ce produit à foyer est exempt de défauts au moment de l'achat et pendant les périodes indiquées ci-dessous. Les produits à foyer doivent être installés par un technicien qualifié et doivent être entretenus et utilisés de façon sécuritaire, en conformité avec les instructions du mode d'emploi. Cette garantie est accordée à l'acheteur initial seulement et n'est pas transférable. Toutes les réparations sous garantie doivent être exécutées par un technicien d'appareil au gaz qualifié.

Garantie limitée à vie sur les pièces – Chambre de combustion, échangeur thermique et vitre installée à l'usine

En cas de défaillance de la chambre de combustion, de l'échangeur thermique (voir la nomenclature des pièces) ou de la vitre installée à l'usine en raison de défauts de pièces ou de main-d'œuvre, Empire s'engage à réparer ou, au choix d'Empire, à remplacer les pièces défectueuses.

Garantie limitée de trois ans sur les pièces – Tous les autres composants

(À l'exception des télécommandes, thermostats, accessoires et pièces de rechange)

En cas de défaillance de toute pièce en raison de défauts de pièces ou de main-d'œuvre dans les trois ans à compter de la date d'achat, Empire s'engage à la réparer ou à la remplacer, au choix d'Empire.

Garantie limitée d'un an sur les pièces - Télécommandes, thermostats, systèmes d'éclairage, accessoires et pièces

En cas de défaillance d'une télécommande, d'un thermostat, d'un accessoire ou d'une pièce en raison de défauts de main-d'œuvre dans un délai d'un an à compter de la date d'achat, Empire s'engage à réparer ou à remplacer, au choix d'Empire.

Obligations du propriétaire

L'appareil doit être installé par un installateur qualifié et utilisé en conformité avec les instructions fournies avec l'appareil. Conserver une facture, un chèque oblitéré ou un justificatif de paiement pour attester de la date d'achat et établir la période de garantie. Accès immédiat à l'appareil pour la réparation.

Ce qui n'est pas couvert

Dommages pouvant résulter de l'utilisation, de l'emploi abusif ou d'une installation incorrecte de cet appareil.
Frais de déplacement, de diagnostic et de transport des pièces sous garantie vers et depuis l'usine.
Les réclamations qui n'impliquent pas des vices de matière ou de fabrication.
Réparation ou remplacements de pièces non autorisés.
Frais de désinstallation et de réinstallation.
Inutilisable en raison d'un entretien insuffisant ou incorrect.

Comment recourir à la garantie

Pour soumettre une réclamation en garantie, veiller à avoir le reçu à disposition et communiquer avec le revendeur installateur. Indiquer au revendeur le numéro de modèle, le numéro de série, le type de gaz et le justificatif d'achat. Le concessionnaire-installateur a pour responsabilité d'assurer la réparation et s'adressera à l'usine pour procéder à tout remplacement de pièces sous garantie. Empire met les pièces de rechange à disposition à l'usine. Les frais d'expédition ne sont pas couverts. Si, après s'être adressé au concessionnaire Empire, le service obtenu n'est pas satisfaisant, communiquer avec : Consumer Relations Department, Empire Comfort Systems Inc., P.O. Box 529, Belleville, Illinois 62222 (États-Unis) ou envoyer un courriel à info@empirecomfort.com en indiquant « Consumer Relations » dans le champ de sujet.

Vos droits en vertu de la loi provinciale

Cette garantie vous accorde des droits juridiques particuliers, toutefois vous pouvez avoir d'autres droits, qui varient d'une province à l'autre.



SINCE 1932

www.empirecomfort.com

Empire Comfort Systems Inc.
Belleville, IL

Pour toute question générale concernant nos produits, veuillez nous envoyer un courriel à info@empirecomfort.com.

Pour toute question d'entretien ou de réparation, veuillez contacter votre revendeur.