



DIRECT-VENT FIREPLACES

Boulevard Linear DVLL72BP

Spec Sheet



GLASS VIEWING AREA

72" W x 15" H

ACTUAL DIMENSIONS

85" W x 38 1/4" H x 19 1/2" D

INCLUDES

- Multi-Function Remote to control burner and optional blower
- Ceramic Glass
- Multicolor Programmable LED lighting under burner (with wall mount control)
- Barrier Screen
- Noncombustible Board for top and sides

REQUIRES

- Decorative Crushed Glass (8 boxes)
- Liner

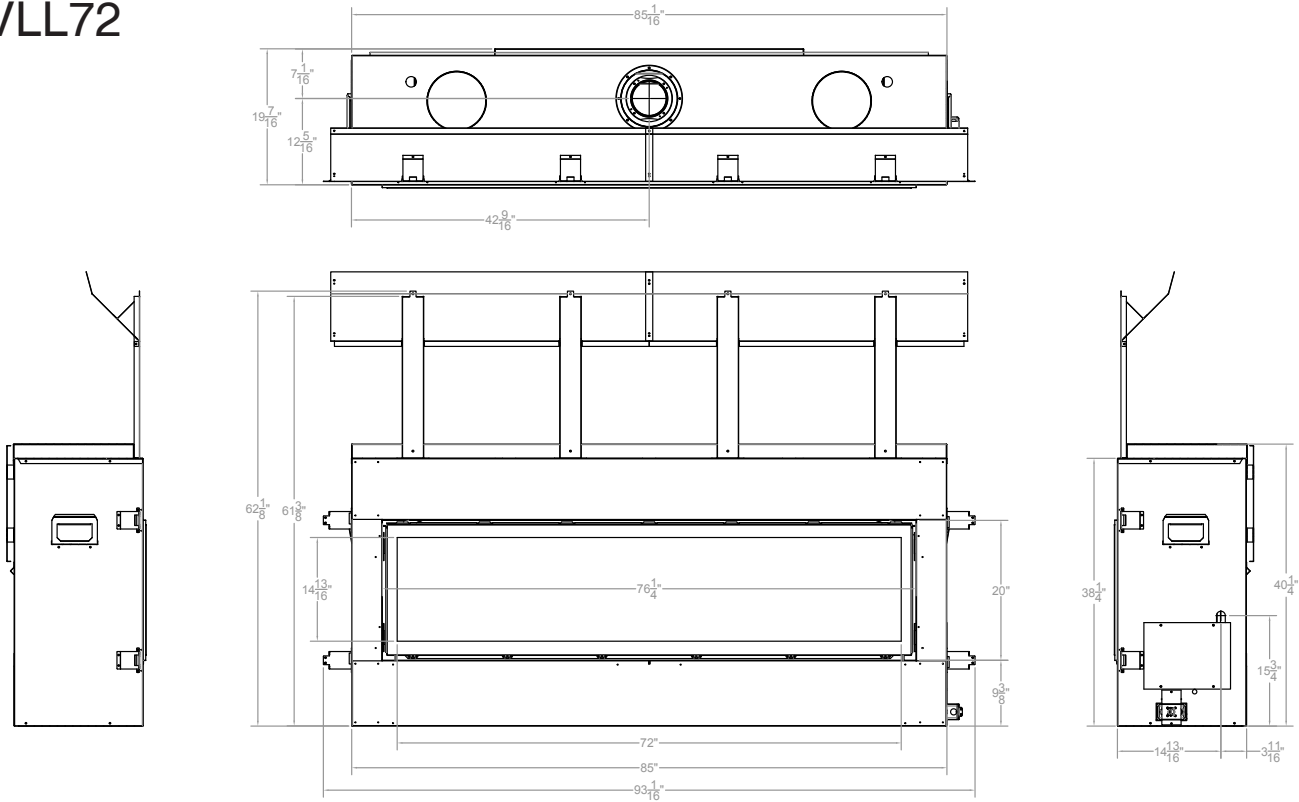
TECHNICAL INFORMATION

- Maximum heat output:
 - 50,000 BTU (LP)
 - 52,500 (Nat)
- Weight: 483 lbs.
- Clearances
 - Side Wall: 3 inches
 - Top Trim: 0 inches
- Type of Gas: LP or Natural
- Iron Pipe Size: 1/2-inch
- Ignition Systems: Multi-Function IP Remote
- Vent Size: 5 x 8 inch
- Top Vent Only

FIELD INSTALLED ACCESSORIES

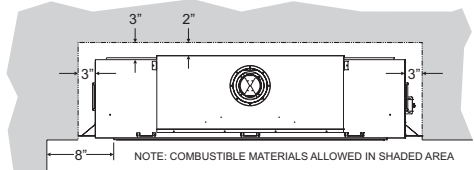
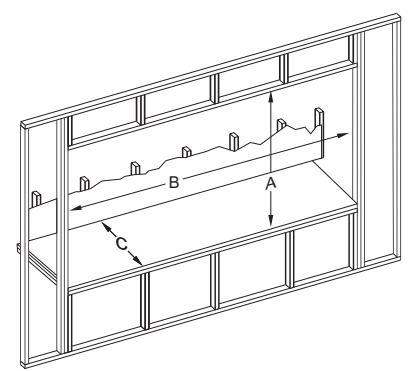
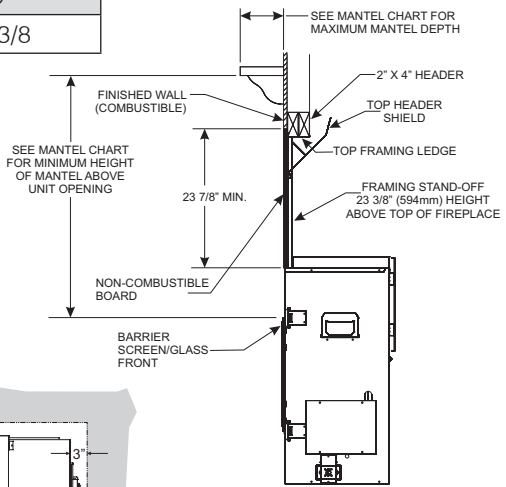
- Optional Accessories
 - Log Set: 7 Rustic Logs, 11 Driftwood Logs
 - Blower
 - Liners: Black Ceramic Glass, Ridgeback

DVLL72



Clearance to Combustibles (in inches)	
Back	See below
Side	3
Floor	0
Top Stand-off	0
Top Framing Edge	23 3/8

Framing Dimensions (in inches)	
Height (A)	61 5/8
Width (B)	91 5/8
Depth (C)	21 1/2



Empire is committed to continuous product improvement; specifications are subject to change without notice. Dimensions in this brochure are approximate; read and follow the framing dimensions in the owners manual supplied with your Empire product. Flame size, shape, and color will vary from photos. Our mantels feature natural veneers and hand-rubbed finishes – wood grain and color will vary. Adjust light levels and use "natural light" incandescent bulbs to enhance the dramatic look for your wooden mantel.

Member of the following industry associations:



The Empire Comfort Systems and White Mountain Hearth names and logos are registered U.S. trademarks.



SINCE 1932
 Empire Comfort Systems Inc.
 918 Freeburg Ave.
 Belleville, IL 62220-2623
 info@empirecomfort.com
 01/18