

**INSTALLER:**

Leave this manual with the appliance.

**CONSUMER:**

Retain this manual for future reference.

**EXTERIOR**

**DECORATIVE FRONT**

DFEV60LSS-1

FOR USE ON VFLB60SP90(N,P)-1



## WARNING



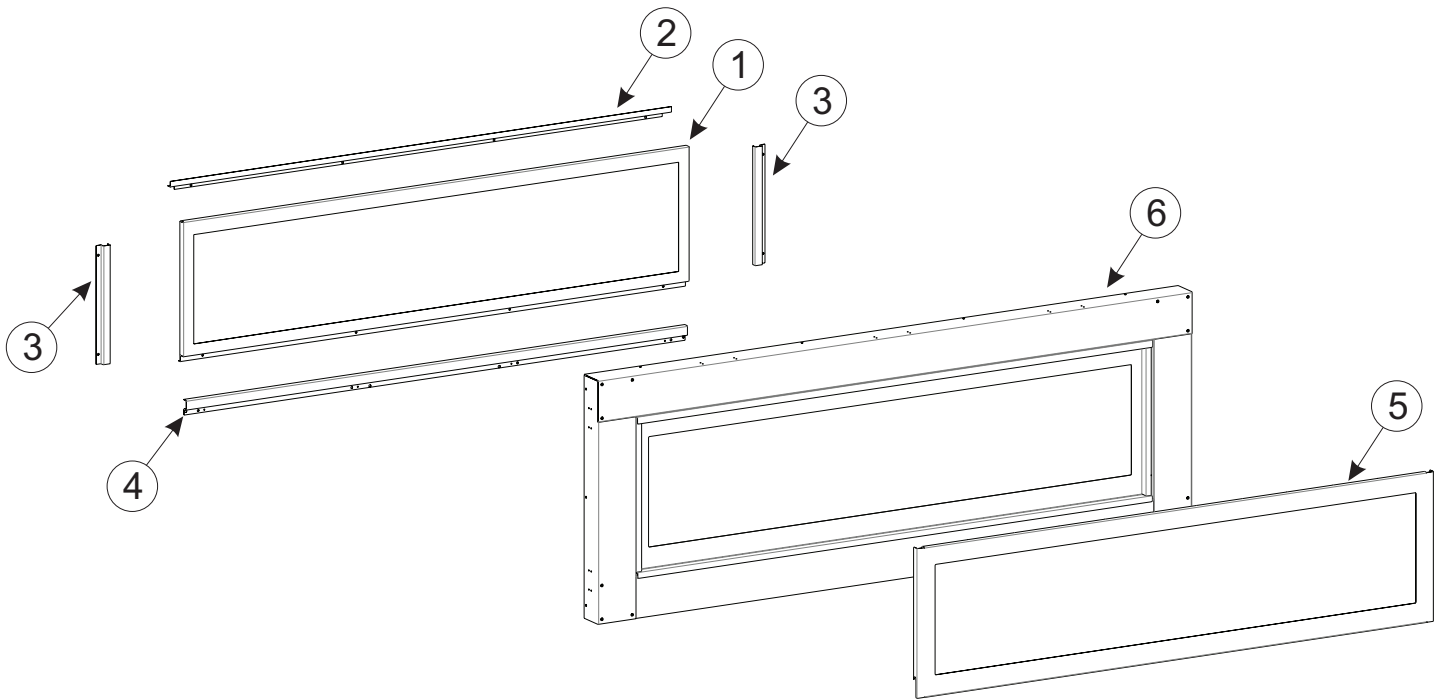
**HOT GLASS WILL  
CAUSE BURNS.  
DO NOT TOUCH GLASS  
UNTIL COOLED.  
NEVER ALLOW CHILDREN  
TO TOUCH GLASS.**

# CARTON CONTENTS

Items not shown to scale.

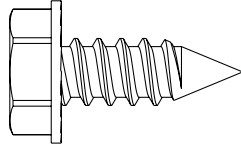
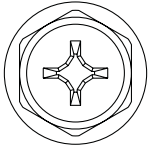
INDEX NUMBER	DESCRIPTION	QUANTITY SUPPLIED	REPLACEMENT PART NUMBERS
1	Inner Glass and Frame	1	40313
2	Top Mount Bracket	1	40266
3	Side Mount Bracket	2	40265
4	Bottom Mount Bracket	1	40267
5	Screen Assembly	1	40314
6	Outer Glass and Frame	1	40315
N/S	Outer Glass	1	R12431
N/S	Silicone Gasket	21ft	R12433

For hardware pack contents, see page 3.

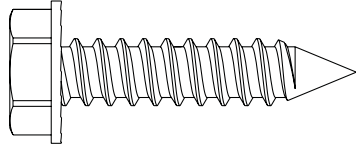
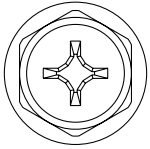


# HARDWARE PACK

## HARDWARE PACK CONTENTS



#10 X 1/2" HEX HEAD SCREW



#10 X 1" HEX HEAD SCREW

DESCRIPTION	QUANTITY SUPPLIED
10 X 1/2 Phillips Hex Head Screw	24
10 X 1 Phillips Hex Head Screw	4

# INTRODUCTION

## BEFORE BEGINNING

This stainless steel exterior decorative front is designed to be installed on an exterior wall of your residence. The fireplace flame will be visible on a porch or area outside of the residence. The other side will be inside the residence. Glass panels will close off the exterior side of the fireplace and will act like an exterior window. The heat from the fireplace will be projected into the residence.

This kit includes an inner glass panel and frame that replaces the screen frame assembly included with fireplace. It installs to the fireplace first. The outer glass frame attaches to the fireplace next, inside the exterior decorative front.

## INSTRUCTIONS TO INSTALLER

1. Leave instruction manual with owner after installation.
2. Have owner register online or fill out and mail Product Registration Card supplied with unvented fireplace.
3. This decorative front is for installation on an exterior wall only.

Consult the local Building Department regarding regulations, codes or ordinances which apply to the installation of an unvented fireplace with exterior decorative front.

The installation must conform with local codes or, in the absence of local codes, with the National Fuel Gas Code, ANSI Z223.1.\* / NFPA 54.

\*Available from the American National Standards Institute, Inc.  
1430 Broadway, New York, N.Y. 10018.

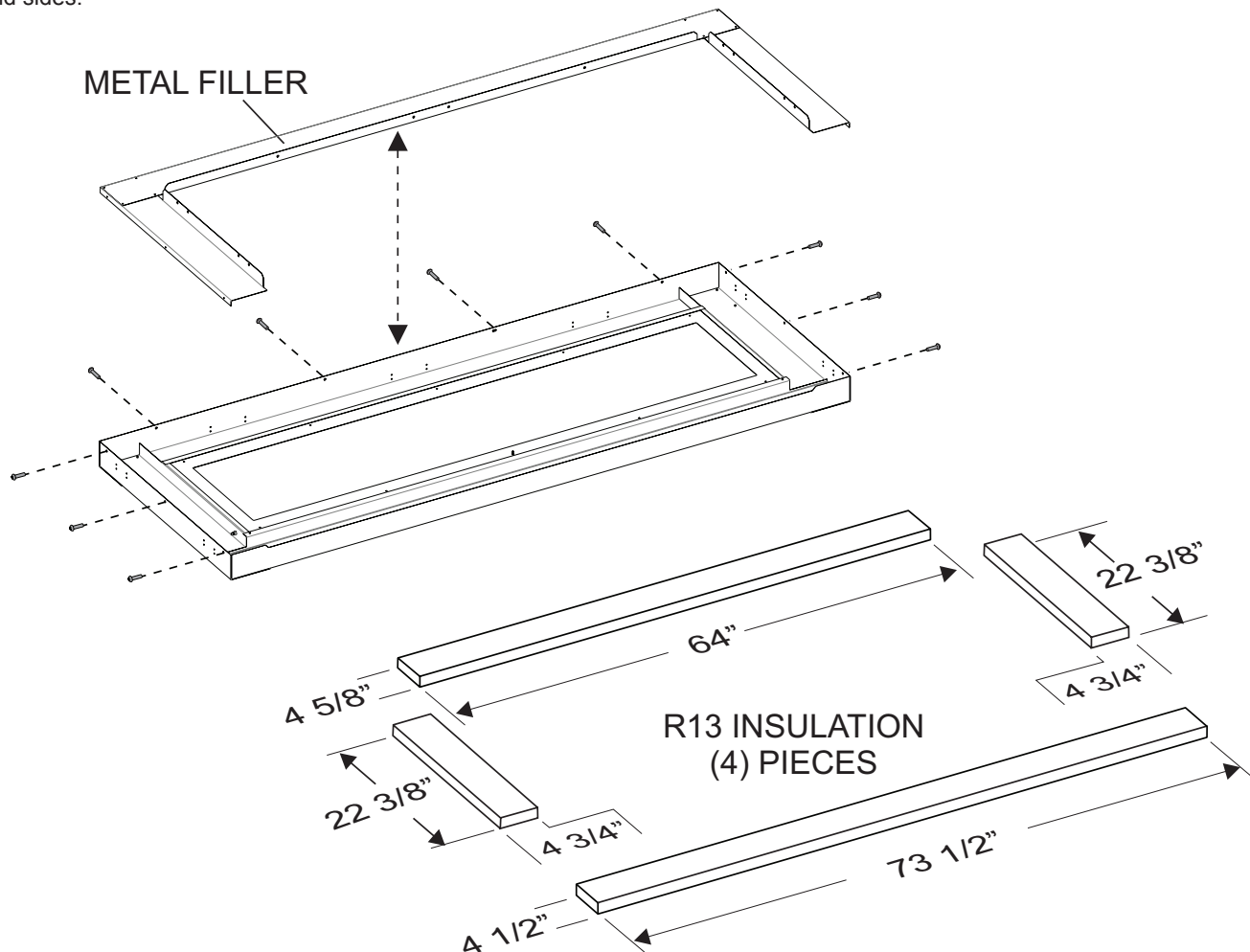
# OPTIONAL - ADDING R-13 INSULATION

## OPTIONAL ADDITION OF R-13 INSULATION

**NOTICE:** Insulation is not required, but can help reduce your heating and cooling bills.

- Remove the decorative front from its packaging and place exterior face down on scratch-free surface to protect the stainless steel.
- Remove black pan-head screws on outer glass-frame top and sides.

- Lift the metal filler and place to the side.
- Cut strips of R-13 insulation to fit chambers inside the decorative front. (See illustration). Remove the combustible backing from the insulation and place insulation into channels.
- Replace metal filler and attach with screws removed earlier.



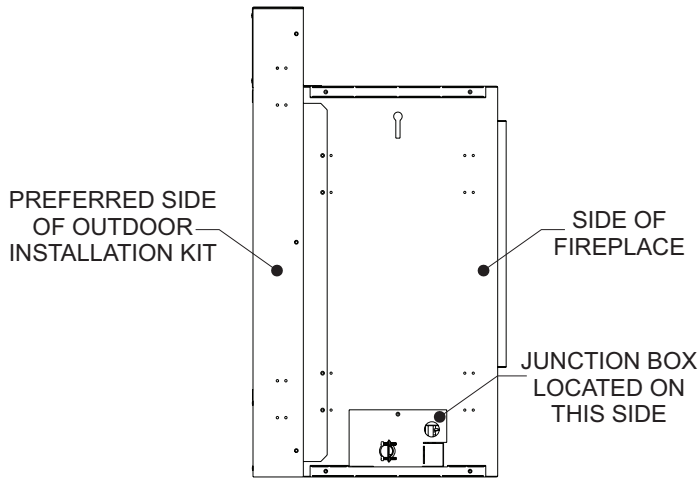
# FIREPLACE PREPARATION

**NOTICE:** The exterior decorative front must be attached to the fireplace before the unit has been installed into the framing.

## PREPARING THE FIREPLACE

The exterior decorative front slides onto the top and sides of the linear fireplace.

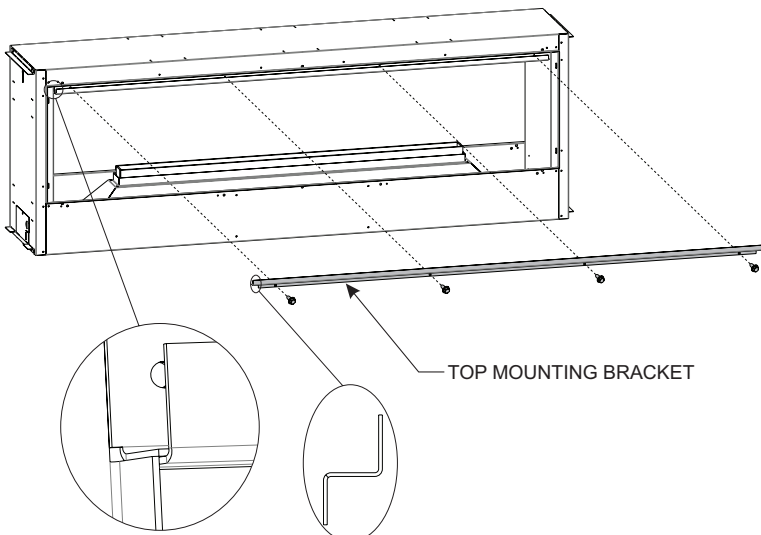
1. Determine where the fireplace will be installed and which side is to be the exterior side (side toward the outside of the residence). Valve controls will be on the side of the unit facing the inside living space. The opposite side of the fireplace is the preferred side for the External Decorative Front. See **Figure 1** for orientation of fireplace with preferred side of External Decorative Front.



**Figure 1**

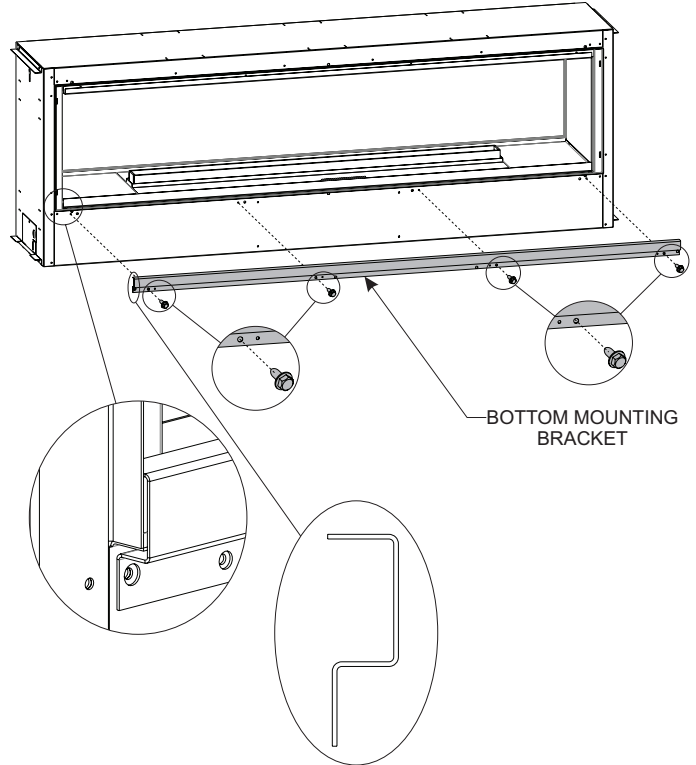
2. Uncrate the fireplace using the instructions provided.
3. Locate top mount bracket shown in **Figure 2** and attach with four provided #10 x 1/2 inch screws as shown.

**NOTE:** This bracket mounts using the holes under the top flange of the unit.



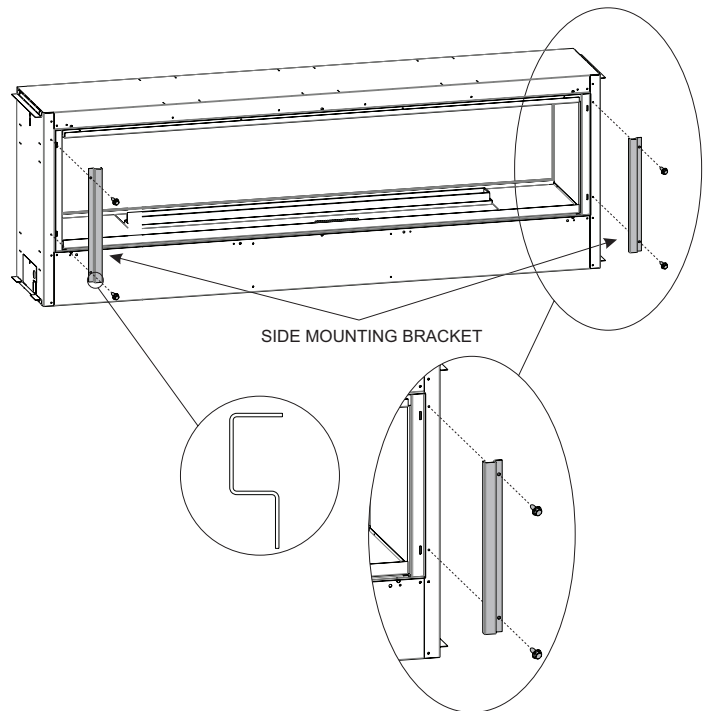
**Figure 2**

4. Locate bottom mount bracket shown in **Figure 3** and attach with four provided #10 x 1/2 inch screws as shown.



**Figure 3**

5. Locate side mount brackets shown in **Figure 4** and attach with four provided #10 x 1/2 inch screws as shown.



**Figure 4**

# FIREPLACE PREPARATION (CONT'D)

## ⚠ CAUTION

Do not put pressure on glass inside the frame. Glass is loose until secured after the installation.

6. Locate the inner glass-frame. With the bottom of the inner glass-frame angled out towards the installer, hook the flange of the inner glass-frame onto the top mount bracket. Center the inner glass-frame, and bring the bottom of inner glass-frame down to the fireplace. The bottom of the frame will slide over the side brackets.

**NOTE:** Suggest 2-person install.

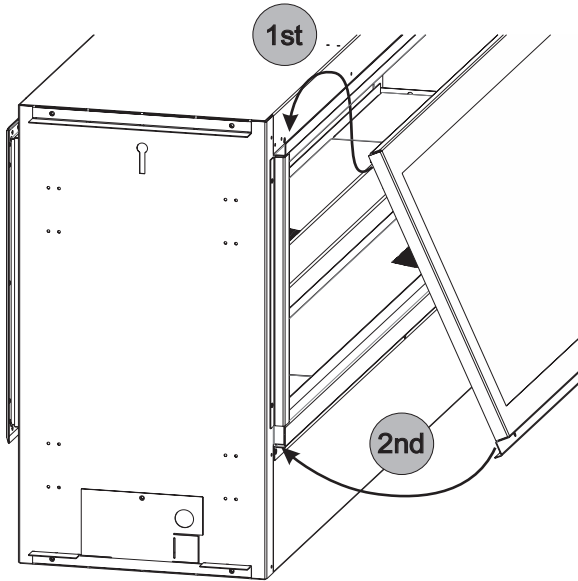


Figure 5

7. Examine gasket along the side of the fireplace to verify the seal is against the side mount brackets. See Figure 6.

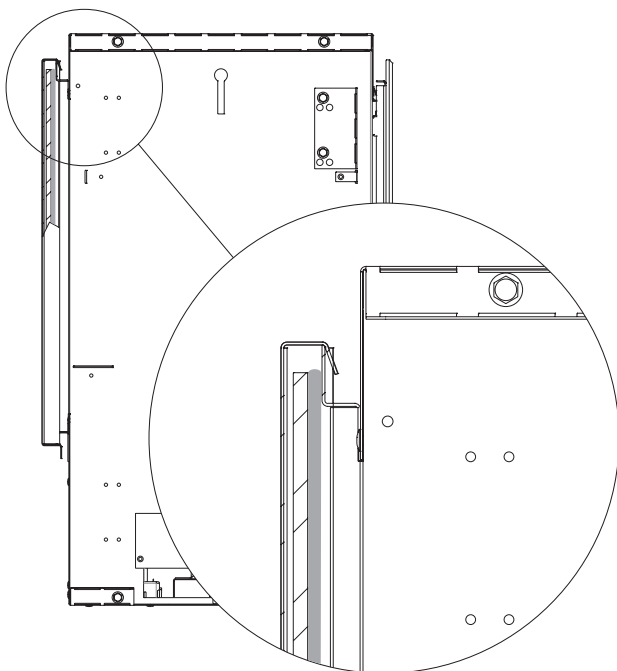


Figure 6

8. Using four provided #10 x 1 inch screws, attach the bottom of the inner glass-frame to the fireplace as shown in Figure 7.

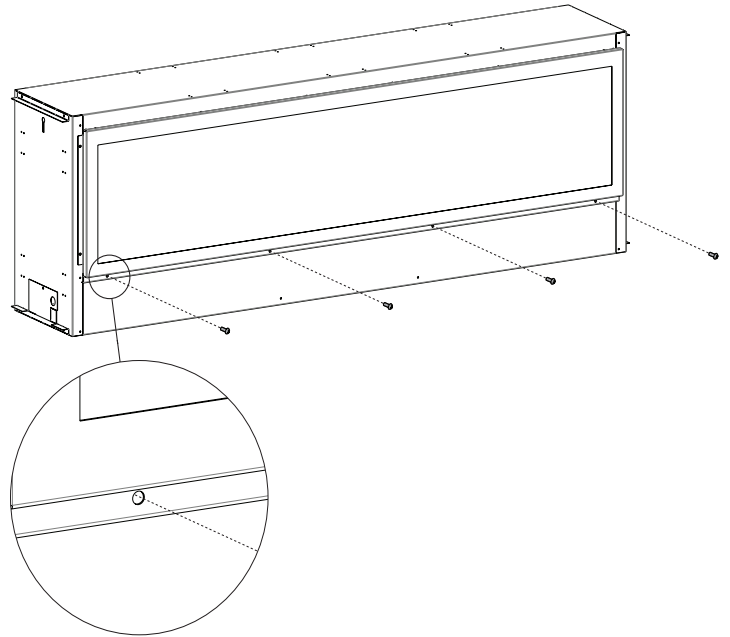


Figure 7

9. Remove the plastic covering the stainless on the exterior decorative front.
10. Slide the outer glass and frame over the top and sides of the fireplace. See Figure 8.

**NOTE:** Suggest 2-person install.

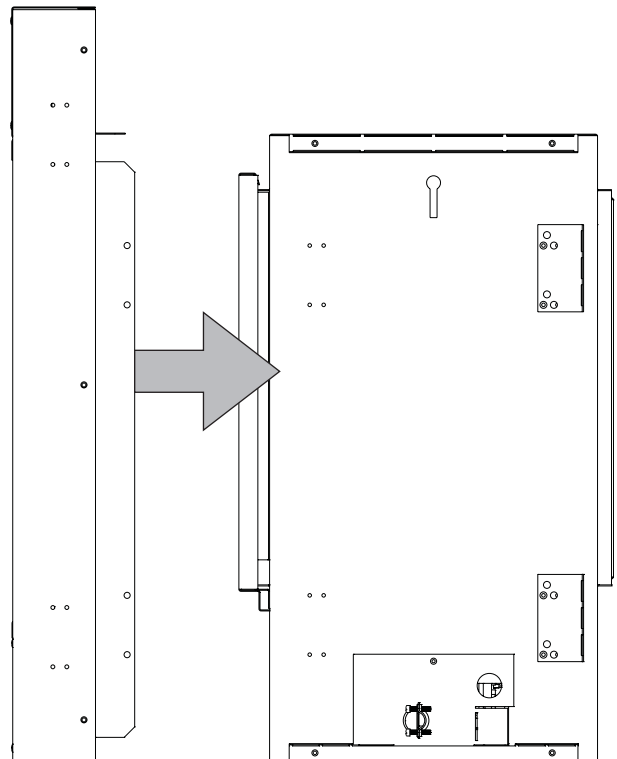
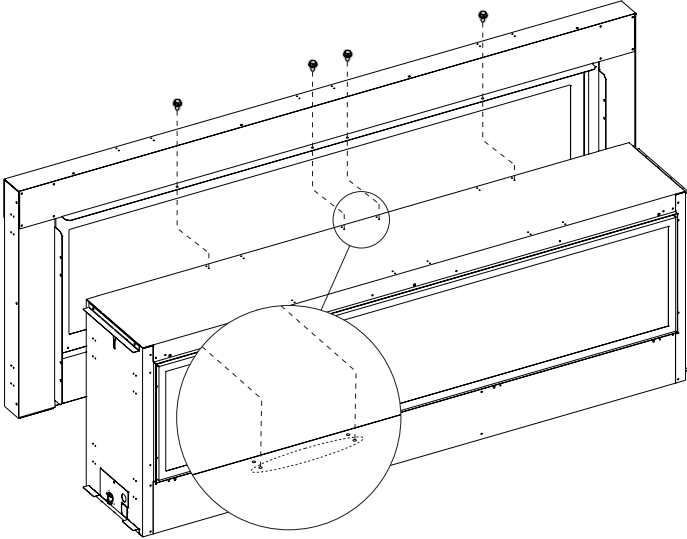


Figure 8

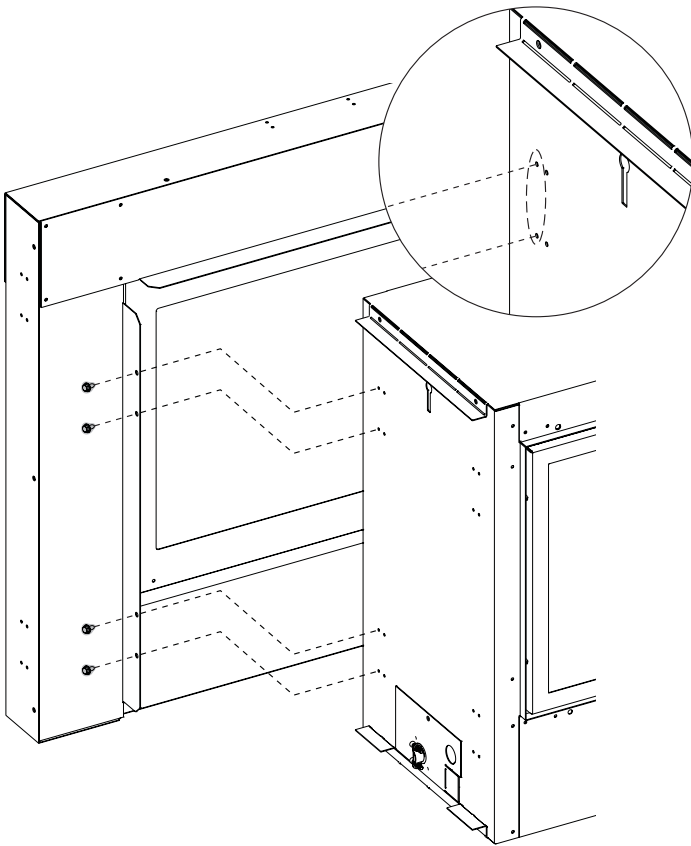
# FIREPLACE PREPARATION (CONT'D)

11. Secure the outer glass and frame to the top of the fireplace using four provided #10 x ½ inch screws. **See Figure 9.**



**Figure 9**

12. Secure the outer glass and frame to the sides of the fireplace using four provided #10 x ½ inch screws. **See Figure 10.**



**Figure 10**

13. Repeat for other side.
14. When installed on an exterior wall, the following supplied component is not required:
- One Screen Frame Assembly
- This assembly can be discarded. The screen frame assembly is required on the side of the fireplace inside the residence.

# FINISHING EXTERIOR DECORATIVE FRONT

**NOTICE:** The fireplace must be protected during finishing. Do not allow acid wash to get onto the fireplace.

1. The stainless may be covered in full or in part by a non-combustible stone, tile or other finishing material. It is recommended that the outer perimeter face of the outdoor kit be covered with non-combustible finishing material. See Figure 11.

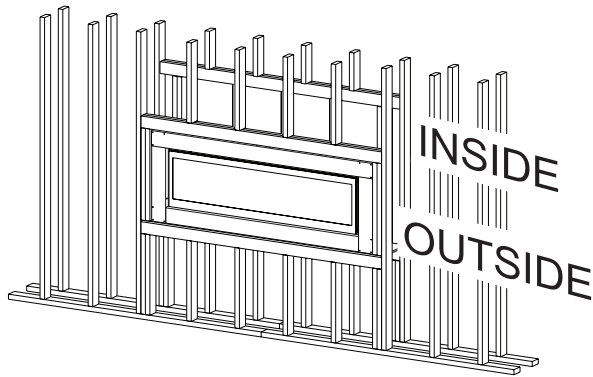


Figure 11

2. Sheathing and framing may be placed to the stainless top, bottom and side surfaces. The back side of the outdoor kit and the top surface of the fireplace are non-combustible zones. See Figure 12.

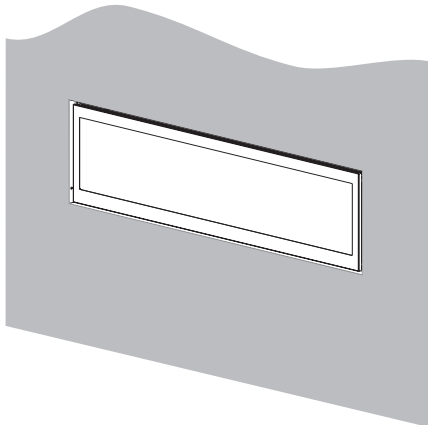


Figure 12

- 3a. Figure 13 shows minimum recommended coverage over the face of the outdoor kit. This covers rivets exposed on the outside of the fireplace. The non-combustible facing may be placed to the opening. See Figure 13.

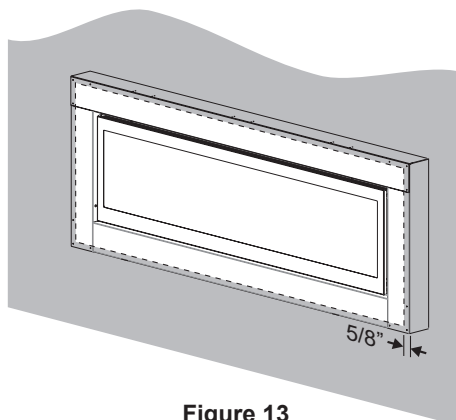


Figure 13

- 3b. Exterior non-combustible finishing material is placed over the face of the outdoor kit. See Figure 14.

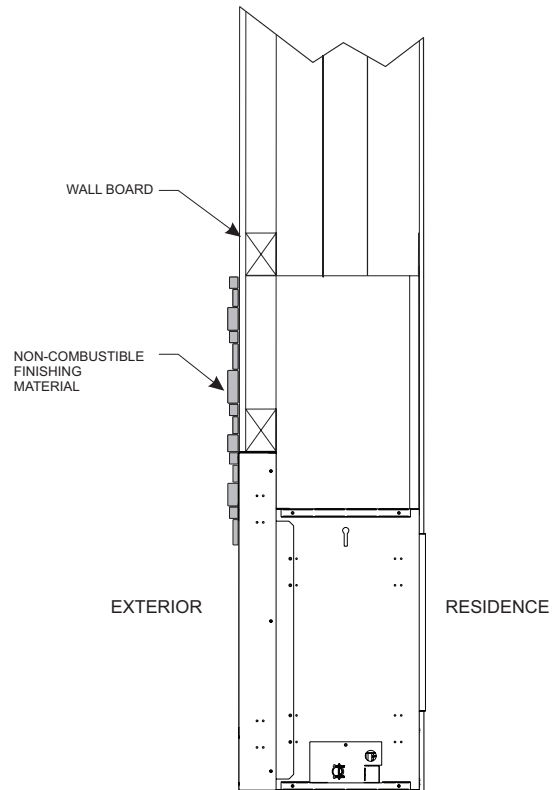


Figure 14

4. Insert the screen assembly into the top of the outer glass frame. Bring the bottom of the screen assembly against the face. Lower the screen assembly to catch the shoulder screw on the side of the glass. See Figure 15.

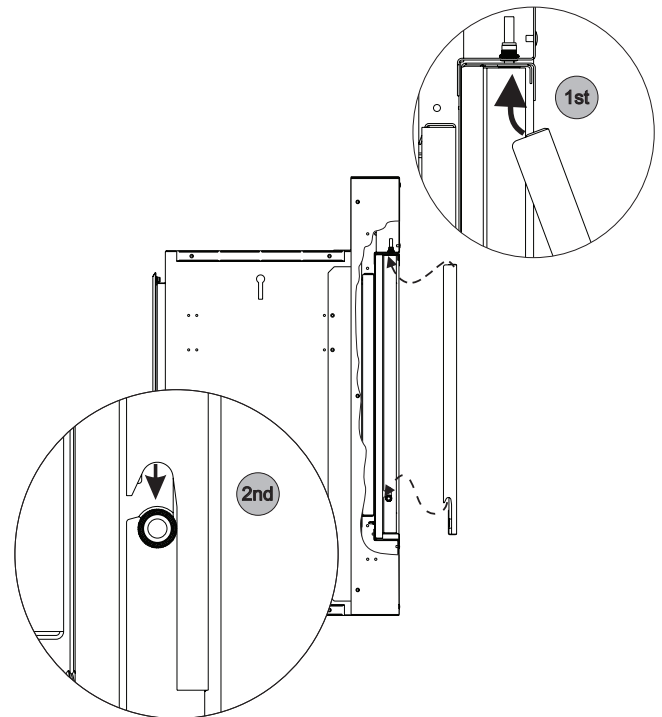


Figure 15



# MAINTENANCE - GLASS CLEANING

## GLASS CLEANING

Clean the glass before use and as needed. During start-up condensation (which is normal) forms on the inside of the glass and causes lint, dust and other airborne particles to cling to the glass surface. Also initial paint curing may deposit a slight film on the glass. Use a non-abrasive household cleaner and warm water (we recommend gas fireplace glass cleaner).

### CAUTION

**Do not use Ammonia-based or abrasive cleaners on glass. To prevent etching or discoloring, clean the glass with Fireplace Glass Cleaner (available from the dealer). Do not attempt to clean glass when glass is hot.**

### WARNING

- **Avoid breaking the glass.**
- **Do not operate this appliance without the glass panel and barrier screen, or with a broken glass panel.**
- **Replace only with Empire Comfort Systems parts.**

Only glass approved for use by the manufacturer may be used for replacement. The glass replacement should be done by a licensed or qualified service person.

### WARNING

1. **The use of substitute glass will void all product warranties.**
2. **Care must be taken to avoid breakage of the glass.**
3. **Under no circumstances should this fireplace be operated without the glass front or with a broken glass front. Replacement of the glass (with gasket) as supplied by the manufacturer should be done by a qualified service person.**
4. **Do not abuse the glass by striking or hitting it.**

### WARNING

**Handle the glass with care to avoid breaking it. Never strike the glass. To prevent etching or discoloring, clean the glass with Fireplace Glass Cleaner (available from your dealer). Never use cleaners that contain ammonia or abrasives. Never clean the glass while it is hot or even warm. Touching hot glass can cause severe burns. Using liquids or aerosols on hot glass will cause it to shatter. Never operate the fireplace with the glass removed or cracked. Have your dealer replace damaged glass only with glass and gasket material from Empire Comfort Systems. Using substitute glass will void the warranty.**

This page intentionally left blank.

This page intentionally left blank.



**Empire Comfort Systems Inc.  
Belleville, IL**

If you have a general question  
about our products, please e-mail  
us at [info@empirecomfort.com](mailto:info@empirecomfort.com).

If you have a service or repair  
question, please contact your dealer.

SINCE 1932

**[www.empirecomfort.com](http://www.empirecomfort.com)**