

# Boulevard

## INSTALLATION INSTRUCTIONS

### DF(48,60)BL,HP-1 TRIM FRAME KIT FOR USE ON: DVLL(48,60)BP SERIES FIREPLACES ONLY

INSTRUCTIONS MUST BE LEFT WITH THE OWNER FOR FUTURE REFERENCE.

#### Carton Contents:

Trim Frame Assembly  
Screw Package

#### Tools Needed:

Philips Screw Driver  
Eye Protection

#### Installation

Note: The DF Series Trim Frame is designed to trimout the opening of the DVLL Series fireplaces. The Trim Frame may be installed when the non-combustible face finishing material thickness is between 3/8 to 1-1/2 inch thick.

1. Refer to the fireplace installation manual for removal of the Barrier and Glass Door assemblies prior to installation of the Trim Frame kit.
2. Carefully unpack the Trim Frame assembly and inspect for hidden damage prior to installation.
3. Remove the Barrier screen and Glass Door assembly.
4. Place the Trim Frame into the fireplace opening with the screw tabs facing inward. **See Figure 1.**
5. While holding the Trim Frame against the face finishing materials, install one #8 x 1/2" Black Philips Truss head screw through each of the four outer screw tabs. **See Figure 2.**
6. Each outer screw tab has several pilot hole locations that allow mounting the Trim Frame with varying thicknesses of face finishing materials (see note above).
7. Install a screw into the pilot hole that is positioned closest to the inside edge of the fireplace face. One screw installed in each of the four screw tabs will hold the Trim Frame securely to the face finishing materials. **See Figure 2** inset.
8. The center screw tabs are slotted. Install a bottom center screw through the slot in the tab and into the screw boss locked in the firebox support bracket. Install an additional screw through the top center tab and into the pilot hole provided in the top face panel on the fireplace. Do not over tighten these screws.
9. Replace Glass Door and Barrier assemblies.
10. Installation is complete.

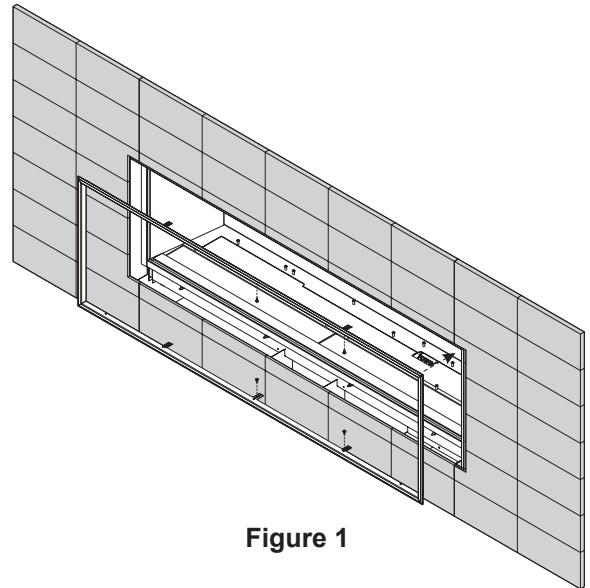


Figure 1

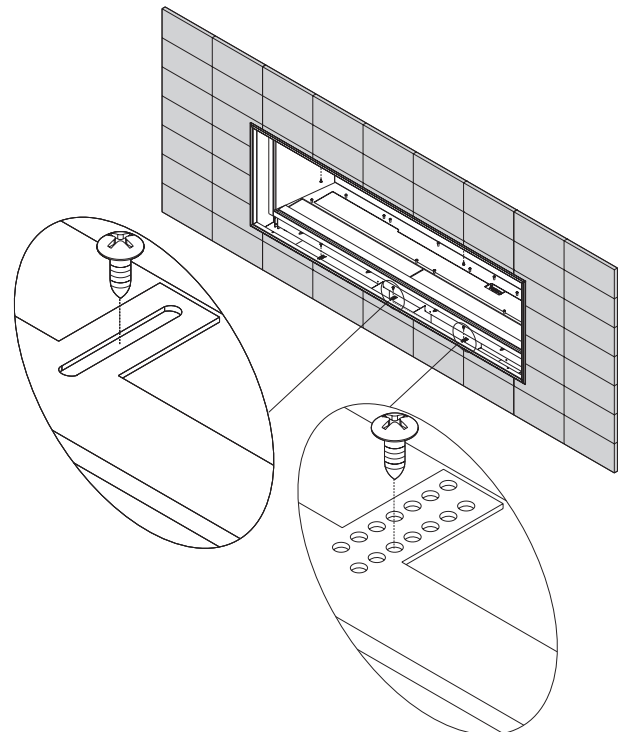
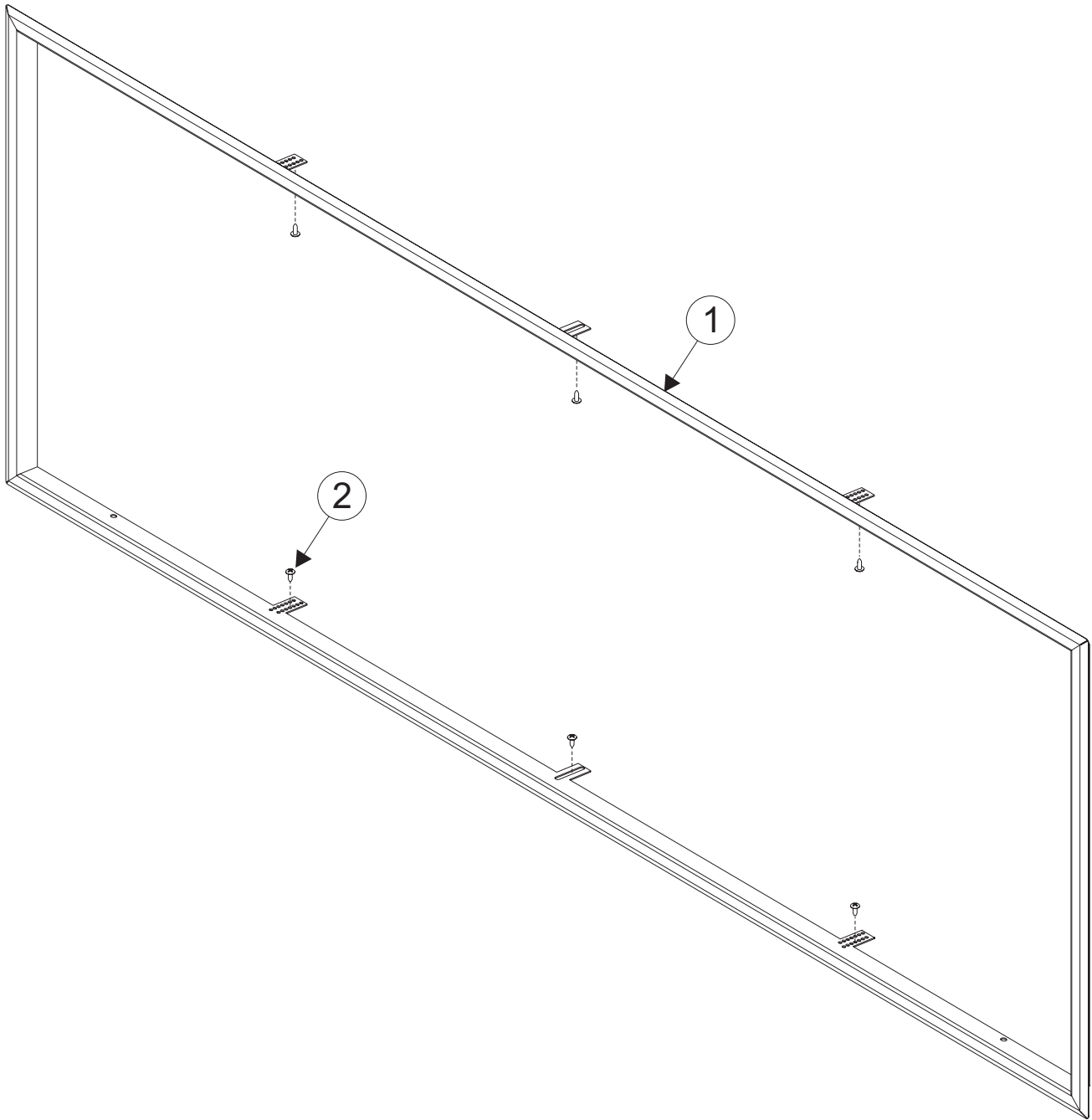


Figure 2



TRIM FRAME (BLACK) KIT PARTS LIST				
INDEX NUMBER	PART NUMBER		DESCRIPTION	QUANTITY SUPPLIED
	DF48BL	DF60BL		
1	36463	35733	FRAME ASSEMBLY, BLACK	1
2	R3580	R3580	SCREW, 8 X 12 PH TR HD	6

TRIM FRAME (HAMMERED PEWTER) KIT PARTS LIST				
INDEX NUMBER	PART NUMBER		DESCRIPTION	QUANTITY SUPPLIED
	DF48HP	DF60HP		
1	36464	35734	FRAME ASSEMBLY, HAMMERED PEWTER	1
2	R3580	R3580	SCREW, 8 X 12 PH TR HD	6