



Revillusion®

30" Built-in Electric Firebox

RBF30

The Future of
Fireplaces is Clear.™



Revillusion® is a completely new way of looking at fireplaces, and changing the standard for electric. A clear view through the lifelike flames, to the full brick interior, captures the charm of a wood-burning fireplace. Enjoy the look of a fireplace cut straight from the pages of a magazine by choosing Revillusion®; clearly a better fireplace.

Revillusion®
by Dimplex

Revillusion® 30" Built-in Electric Firebox

RBF30



Features

- Revillusion® Flame Technology**
Flames are larger, brighter and more random, appearing from within the logs.
- Mirage™ Flame Panel**
Partially frosted acrylic panel is clearly better than a mirror, showing only dazzling flames and no reflections.
- ThruView™ Full-depth Design**
See clear through the flames to the back of the firebox for a more authentic experience.
- Mood Lighting**
Customize the firebox glow with a choice of warm hues, plus midnight mode.
- Color Enhancement**
Adjust the flame base color to red or blue.
- Reals™ Plus**
A full grate of life-size hardwood-cast logs, tiered for greater depth.
- Full Brick-surround Firebox**
More authentic day or night; 270-degree herringbone brick with natural soot markings.
- Brightness and Flicker**
Adjust light level to suit the room and choose flicker effect for enhanced firelight.
- Ambient Light Sensor**
Automatically adjusts firebox light to suit the room day to night.
- Quick and Easy Installation**
Simply frame, wire and finish – no venting, gas lines or safety screens.
- Primary Heat**
Option to use 240 volt supply for up to 8,800 BTU - use as part of primary heating plan; heater also operates without flame and can be deactivated.
- All-season Flames**
Enjoy the unique charm of a fireplace 365 days a year using the flames without the heat.
- Direct-wire**
Designed to be direct-wired to a 120, 208 or 240 volt circuit for a seamless look (optional plug kit available).

Accessories



30" Tempered Front Glass
Dimensions:
29-1/4" W x 22-1/8" H x 3/8" D
(74.0 cm x 56.1 cm x 1.1 cm)



30" Functional Doors with Tempered Glass
Dimensions:
33-3/4" W x 27-1/4" H x 1-1/4" D
(85.8 cm x 69.4 cm x 3.7 cm)

120 V | 1,375 W | 4,400 BTU
208 V | 1,975 W | 6,745 BTU
240 V | 2,575 W | 8,794 BTU

Mood-maker Remote
Customize the light color and intensity for a fireplace that reflects your personality.



Model #	Description	Lbs / Kg	UPC	Wty*	Carton Dimensions (WxHxD)		Cube	
					Inches	cm	ft³	m³
RBF30	30" Built-in Electric Firebox	67.7 / 30.7	781052 104747	2 yrs.	35-1/4 x 15 x 31-5/8	89.8 x 38.2 x 80.4	9.7	0.3
RBFPLUG	Plug Kit	0.6 / 0.3	781052 107656	1 yr.	7 x 3 x 4	17.8 x 7.6 x 10.2	0.05	0.00
RBFGLASS30	Single Glass Pane	22.1 / 10	781052 108004	1 yr.	35-5/8 x 29-1/4 x 4-1/4	90.4 x 74.2 x 10.6	2.6	0.07
RBFDOOR30	30" Glass Door	28.4 / 12.8	781052 108042	1 yr.	35-7/8 x 30-1/8 x 4-5/8	91.3 x 76.4 x 11.6	2.9	0.08

Specifications, finishes and dimensions are subject to change. *Limited warranty. ©2017 Dimplex North America Limited.

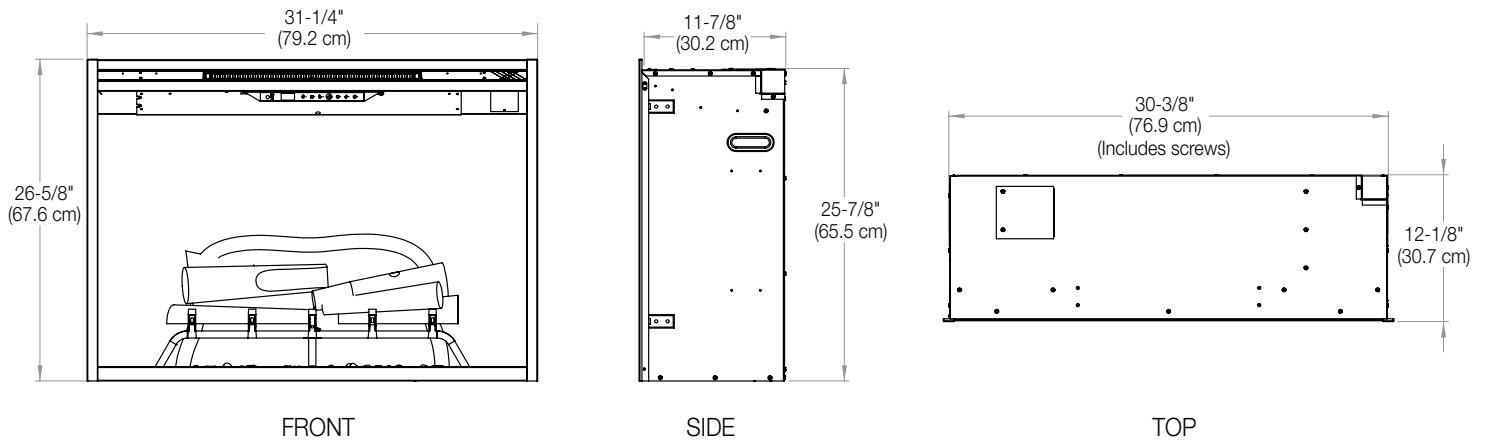
SE-328-R08-082817

Revillusion®

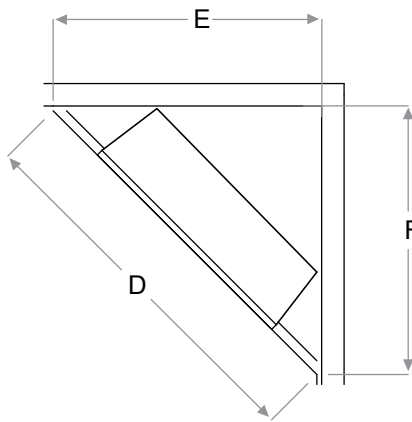
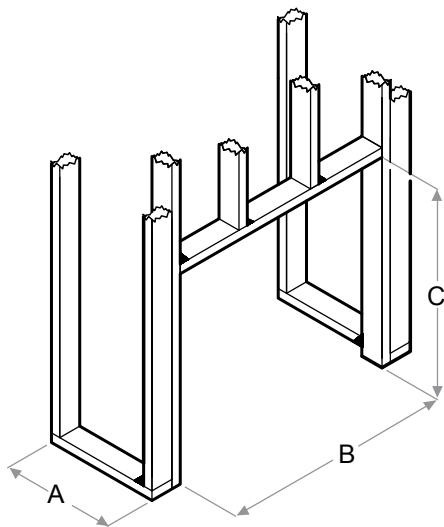
30" Built-in Electric Firebox

RBF30

Product Dimensions:



Framing Dimensions:



NOTE: The materials used for the finished surround must be cut to precise dimensions as the 1/2" (1.3 cm) self-trimming flange is only to create a finished appearance.

RBF30

A	B	C	D	E	F
12-1/2" (31.8 cm)	30-5/8" (77.8 cm)	26-1/4" (66.5 cm)	54-1/4" (137.8 cm)	38-1/2" (97.8 cm)	38-1/2" (97.8 cm)