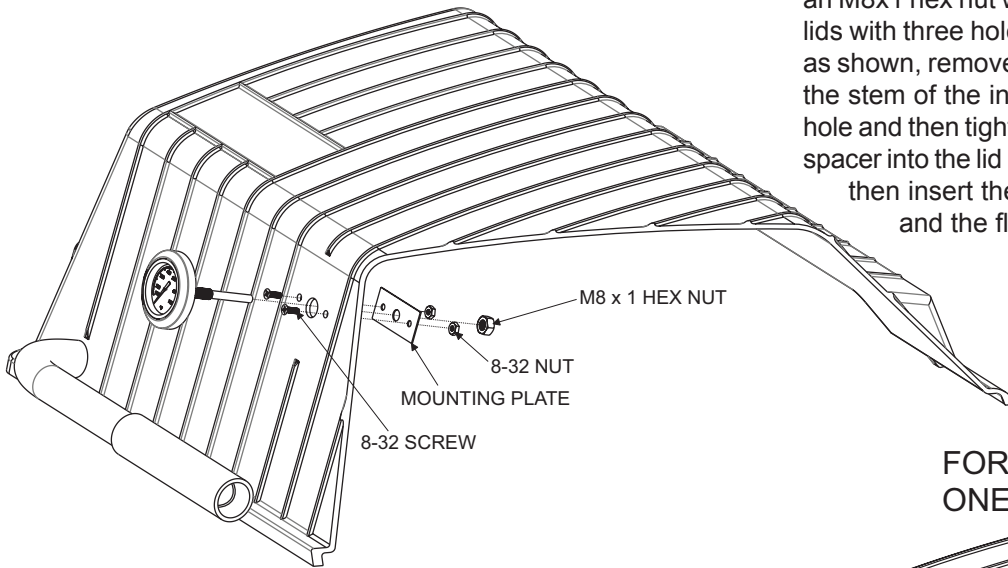




# DPP155-1

## HEAT INDICATOR INSTALLATION INSTRUCTIONS

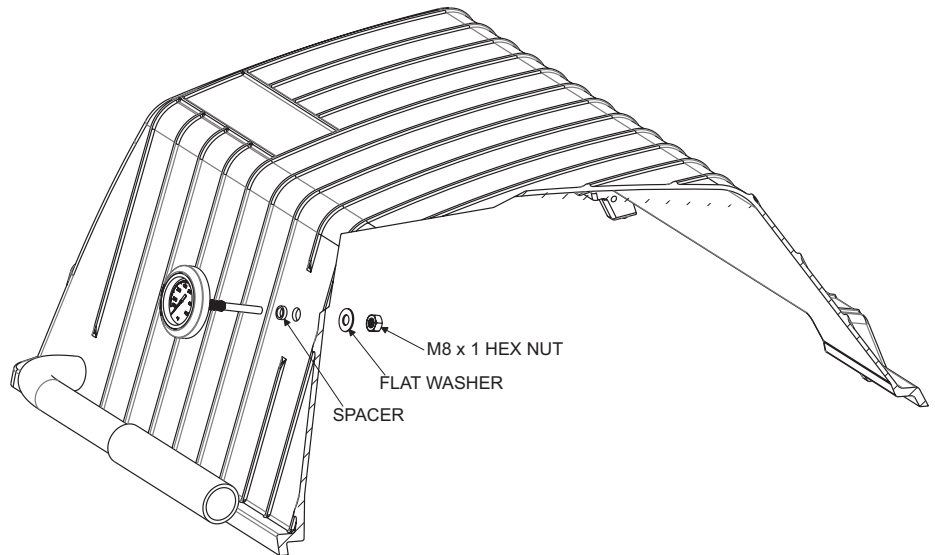
### FOR GRILL LIDS WITH THREE MOUNTING HOLES



### HEAT INDICATOR MOUNTING

The heat indicator and bezel are attached to the grill lid with an M8x1 hex nut which is supplied with the indicator. On grill lids with three holes, attach the mounting plate to the lid first as shown, remove the nut from the indicator, and then insert the stem of the indicator through the mounting plate center hole and then tighten the nut. On lids with one hole, insert the spacer into the lid hole, remove the nut from the indicator, and then insert the stem of the indicator through the spacer and the flat washer and then tighten the nut.

### FOR GRILL LIDS WITH ONE MOUNTING HOLE



### HEAT INDICATOR RECALIBRATION

The heat indicator can be recalibrated if needed. Remove the heat indicator from the grill and place the stem in a pot of boiling water. Set the indicator by turning the screw in the end of the stem until it reads 212 degrees. The indicator is now set and can be reinstalled.

CARTON CONTENTS		
Part No.	Description	Qty. Supplied
B102487	Heat Indicator With Nut	1
B102486	Flat Washer	1
B102491	Spacer	1
B101624	8-32 Screw	2
B101663	8-32 Nut	2
B102534	Mounting Plate	1



**BROILMASTER®**

A Division of Empire Comfort Systems, Inc.

918 Freeburg Ave.

Belleville, Illinois 62220

VISIT OUR WEB SITE AT [www.broilmaster.com](http://www.broilmaster.com)

If you have a general question about our products, please e-mail us at [info@empirecomfort.com](mailto:info@empirecomfort.com).

If you have a service or repair question, please contact your dealer.