



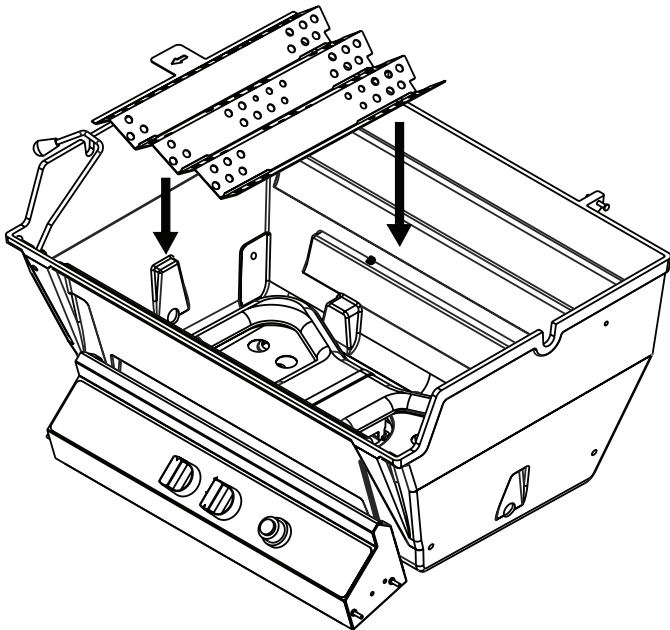
## FLAME TAMER INSTALLATION INSTRUCTIONS

**DPA163 - FOR USE WITH ALL P3 SERIES GRILLS**

**DPA164 - FOR USE WITH ALL P4 SERIES GRILLS**

### DPA163 FLAME TAMERS FOR P3 GRILLS

1. Remove all of the following items installed in the grill: Cooking Grids, Griddle, Smoker Shutter, Briquettes, Flare Busters, Flavor Screen, and Briquette Rack.
2. Install the left Flame Tamer first. Orient the part with the arrow tab to the left and the arrow pointing towards the front of the grill. Install the part in the grill such that it is resting on the front, rear, and left ledges previously used by the Briquette Rack. **See Figure 1.**

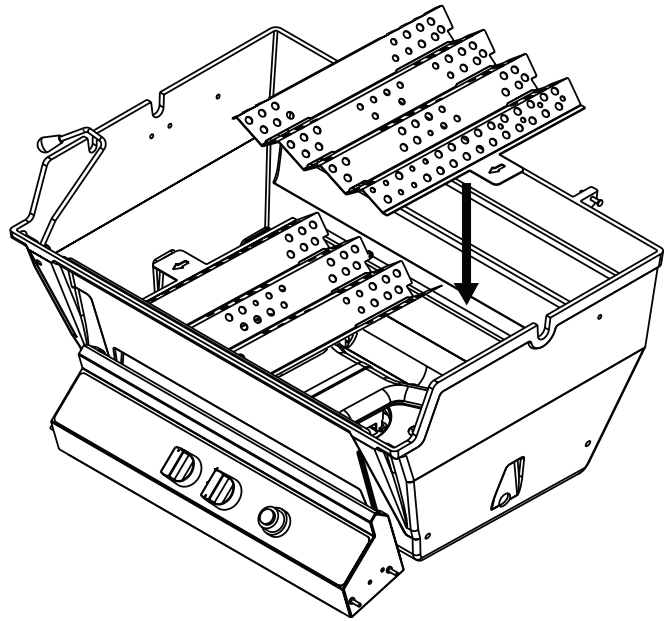


**Figure 1**

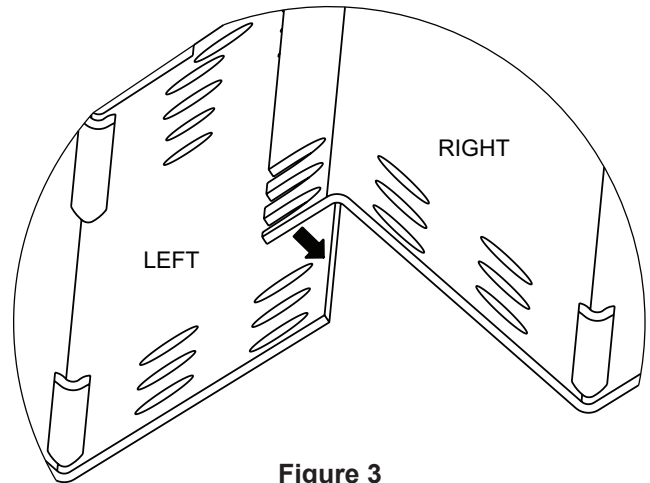
3. Install the right Flame Tamer. Orient the part with the arrow tab to the right and the arrow pointing towards the front of the grill. Install the part in the grill such that it is resting on the front, rear, and right ledges previously used by the Briquette Rack. **See Figure 2.**

Attention: The right Flame Tamer will overlap the left Flame Tamer when properly installed. **See Figure 3.**

4. Re-install Cooking Grids, Griddle, and Smoker Shutter. The Flame Tamers take the place of Briquettes, Flare Busters, Flavor Screen, and Briquette Rack.



**Figure 2**



**Figure 3**

DPA163 CARTON CONTENTS		
Part No.	Description	Qty. Supplied
B102416	Flame Tamer, Left P3	1
B102417	Flame Tamer, Right P3	1

## DPA164 FLAME TAMERS FOR P4 GRILLS

1. Remove all of the following items installed in the grill: Cooking Grids, Griddle, Smoker Shutter, Briquettes, Flare Busters, Flavor Screen, and Briquette Rack.
2. Using the carriage bolts, washers, and nuts supplied in the hardware pack, attach the right and left Flame Tamers together. Do this before installing them into the grill. See Figure 4.

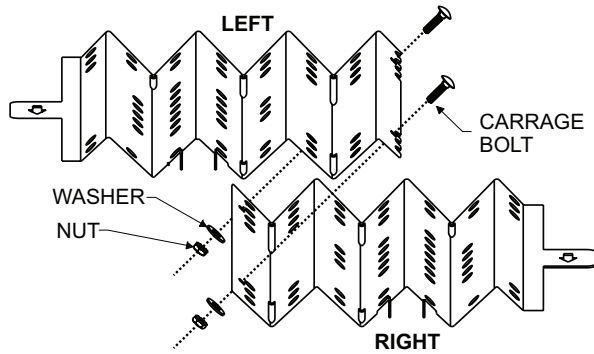


Figure 4

3. Orient the assembled Flame Tamers with the arrows on the side tabs pointing towards the front of the grill. Install the assembled parts in the grill such that they are resting on the 6 ledges on the front, rear, and sides previously used by the Briquette Rack. See Figure 5.

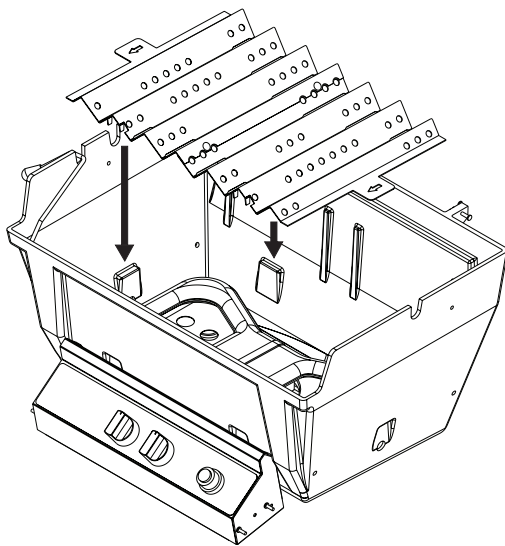


Figure 5

4. When properly installed, the Flame Tamers will rest on top of the Briquette Rack ledges on the sides and front of the grill. Two of the Flame Tamer bends will straddle the rear ledges. See Figure 6.

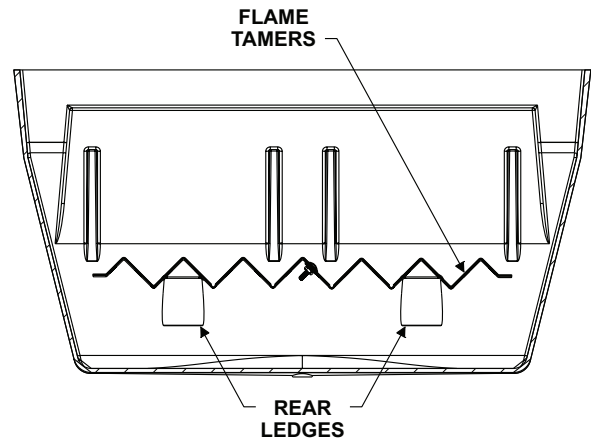


Figure 6

5. Re-install Cooking Grids, Griddle, and Smoker Shutter. The Flame Tamers take the place of Briquettes, Flare Busters, Flavor Screen, and Briquette Rack.

### DPA164 CARTON CONTENTS

Part No.	Description	Qty. Supplied
B102547	Flame Tamer, Left P4	1
B102548	Flame Tamer, Right P4	1
B101708	10-24 Carriage Bolt	2
B073967	10-24 KEPS Nut	2
B076332	1/4" Flat Washer	2



**BROILMASTER®**  
A Division of Empire Comfort Systems, Inc.  
Belleville, Illinois

VISIT OUR WEB SITE AT [www.broilmaster.com](http://www.broilmaster.com)  
If you have a general question about our products,  
please e-mail us at [info@empirecomfort.com](mailto:info@empirecomfort.com).  
If you have a service or repair question,  
please contact your dealer.