

# Vent Free Fireplace Systems



Save on Home Heating with a 99% Heat Efficient Vent-Free Fireplace

DFX32C shown with optional honey oak mantel and cottage clay firebrick.



DFX24C shown with optional dark cherry mantel and cottage clay firebrick.

## DFX24C, DFX32C and DBX24C Vent Free Fireplace Systems

Monessen's DFXC/DBXC Series of vent free fireplace systems provide the heat and beauty of a traditional fireplace with the convenience and flexibility of a compact, slim design for installation almost anywhere in your home.

- 24" and 32" wide fireplace systems
- Compact gas fireplace system with realistic glowing embers and yellow flames
- DFX features the **NEW TRIPLE PLAY BURNER SYSTEM™** - with exclusive triple effect technology producing a full random yellow flame, full depth ember bed, and glowing logs
- DBX features a single burner system with a two log, 1-piece design with 10,000 Btu (Bedroom Approved)
- Slim design, maximum 12" depth
- Black trim, black louvers and 18" flex connector standard

- Control options:
  - DFX24C Manual or millivolt control operation
  - DFX32C Millivolt control operation
  - DBX24C Thermostat control operation

*Heat with Personality.*

**MONESSEN**  
**HEARTH SYSTEMS**

# OPTIONAL ACCESSORIES & SPECIFICATIONS

Product Specifications															
Model	Width		Height		Depth		Manual Control BTU (x1000)		Millivolt Control BTU (x1000)		Thermostat Control BTU (x1000)		Approx. Heating Area (Sq. Ft.)	Approx. Cost to Operate per hour* Low-High	Design Certified
	Actual	Framing	Actual	Framing	Actual	Framing	NG	LP	NG	LP	NG	LP			
DFX24C	24-1/2"	24-3/4"	26-1/2"	26-3/4"	10-1/2"	10-1/2"	15-22	17-22	17-22	17-22	-	-	700	15¢-22¢	CSA
DFX32C	32"	32-1/2"	30"	30-1/4"	12"	12-1/4"	-	-	20-26	20-26	-	-	900	20¢-26¢	CSA
DBX24C	24-1/2"	24-3/4"	26-1/2"	26-3/4"	10-1/2"	10-1/2"	-	-	-	-	10-10	10-10	300	10¢-10¢	CSA

\* Based on 2003 Dept. of Energy National Average Energy Cost for lowest and highest Btu operation.

## FIELD INSTALLED ACCESSORIES

- Polished Brass Louvers
- Thermostat forced air blower
- Wall and corner mantel surrounds with built-in hearth available in Honey Oak and Dark Cherry Finish and Unfinished Oak
- Cottage Clay Firebrick
- Black Face Plate with Brass Trim
- Remote Controls and Wall Thermostats (Millivolt models only)



DFX24C with optional Honey Oak Corner Surround, Brass Louvers and Cottage Clay Firebrick.



DFX32C with optional Dark Cherry Corner Surround, Brass Louvers and Cottage Clay Firebrick.



DBX24C with optional Face Plate, Brass Louvers and Cottage Clay Firebrick.

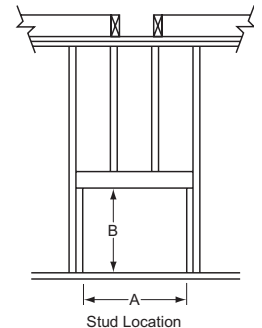
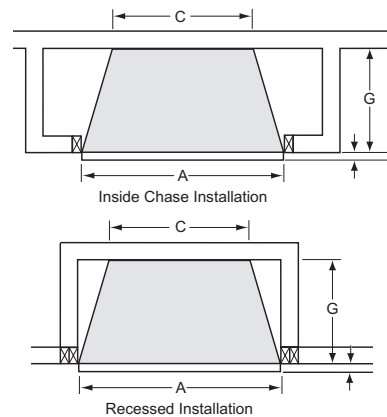
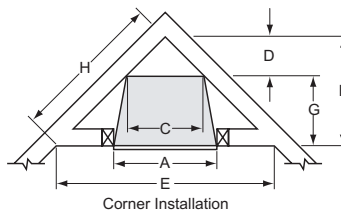
## Hardwood Surround Dimensions

	DBX24C/DFX24C Wall Surround	DFX32C Wall Surround
Width	35-5/8"	44-5/8"
Height	38"	48-1/4"
Width of mantel top	38-1/8"	52"
Depth of mantel top	14-7/8"	16-3/4"
Width of hearth top	26-1/4"	34-1/8"
Depth of Hearth	18"	19"

	DBX24C/DFX24C Corner Surround	DFX32C Corner Surround
Width of Mantel Top	46"	56-3/8"
Height	38"	48-1/4"
Distance from corner to center of mantel	26-3/4"	32-5/8"
Distance from corner to front edge along wall	32-1/2"	40"
Width of Hearth	26-1/4"	34-1/8"

## Fireplace System Framing Dimensions

	DBX24C	DFX24C	DFX32C
A	24-3/4"	24-3/4"	32-1/2"
B	26-3/4"	26-3/4"	30-1/4"
C	14"	14"	21-3/4"
D	10-1/2"	10-1/2"	14-1/2"
E	42-1/2"	42-1/2"	53-3/4"
F	21"	21"	26-3/4"
G	10-1/2"	10-1/2"	12-1/4"
H	30"	30"	38"



## REGULATORY APPROVAL

The DFXC/DBXC series of vent free gas fireplace system has been tested and approved by CSA as an unvented room heater to the latest ANS Z21.11 requirements. Approved for installation in an aftermarket manufactured (mobile) home, where not prohibited by state or local codes.

# MONESSEN HEARTH SYSTEMS

149 Cleveland Drive • Paris, Kentucky 40361  
www.monessenhearth.com

To avoid personal injury or property damage, the product described by this brochure must be installed, operated and maintained in strict compliance with the instructions packaged with the product and all applicable building or fire codes. Contact local building or fire officials about restrictions and installation inspection requirements. All photographs and drawings on this brochure are for illustrative purposes only and are not intended for, nor should they be used as a substitute for the instructions packaged with the unit. Appearance and specifications of the product are subject to change without notice.

© 2006 Monessen Hearth Systems, Inc.



## Warning:

- It is recommended that the screen be used during operation of this fireplace. Always ensure the screen has adequate spaces to allow for passage of combustion air to the gas fireplace.
- Correct installation of the vent free logs, proper location of the heater and periodic cleaning are necessary to avoid potential service problems with sooting.
- Keep small children and animals away from the open flame of the gas fireplace at all times.
- There may be a start-up odor associated with the heating of the logs. The odor should diminish in 2-3 hours of operation with the burner at its highest setting with the fan in the off position.
- It is recommended to open a window during burn off period.

Sold by: