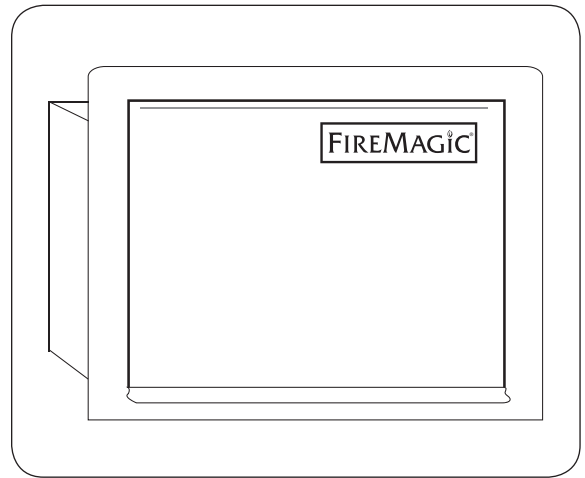




BUILT-IN PAPER TOWEL HOLDER INSTRUCTIONS

Model # 53812

INSTALLER: Leave these instructions with consumer.
CONSUMER: Retain for future reference.



To install your paper towel holder, follow the steps below:

1. Make sure the opening for your paper towel holder matches the cutout dimensions shown.
2. The 12" cutout (width dimension) will allow for a proper fit of the paper towel holder into the island enclosure. However, an additional $\frac{1}{2}$ " clearance is necessary on each side, directly around the screw assembly, to allow for the holder to "flex" outward during paper towel roll installation.

If the thickness of your island enclosure is $3\frac{1}{2}$ " or more; it will interfere with the screw assembly functionality. A minimum of a $\frac{1}{2}$ " deep local clearance must be created via a hole, etc. See Fig. 1-2.

3. Slide the unit into the opening.

Note: It is recommended that silicon caulking (not supplied) is applied around the back of the unit's trim before installing it into the opening.

4. Open the door, and locate the screw holes found on the lower left and right sides of the unit. Secure the unit using $\frac{1}{8}$ " by $\frac{3}{4}$ " fastening screws (not supplied) that are appropriate for the enclosure framework.
5. Insert a roll of paper towels into the unit until the roll is in place over the "knobs" found on the left and right sides of the unit.

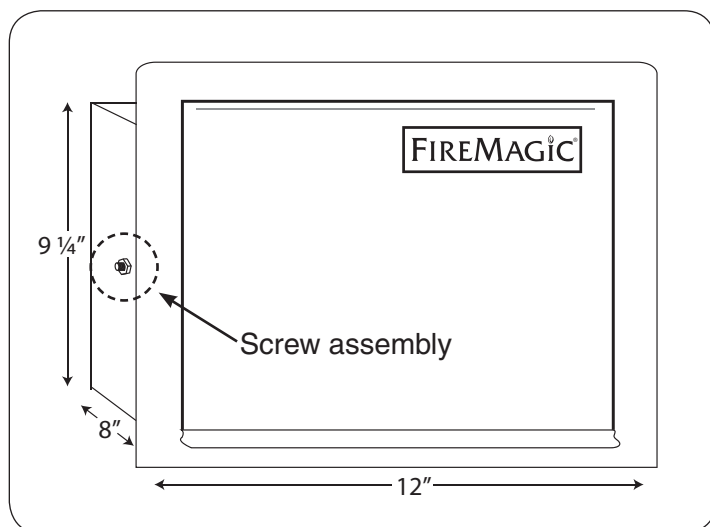


Fig. 1-1 Cutout dimensions

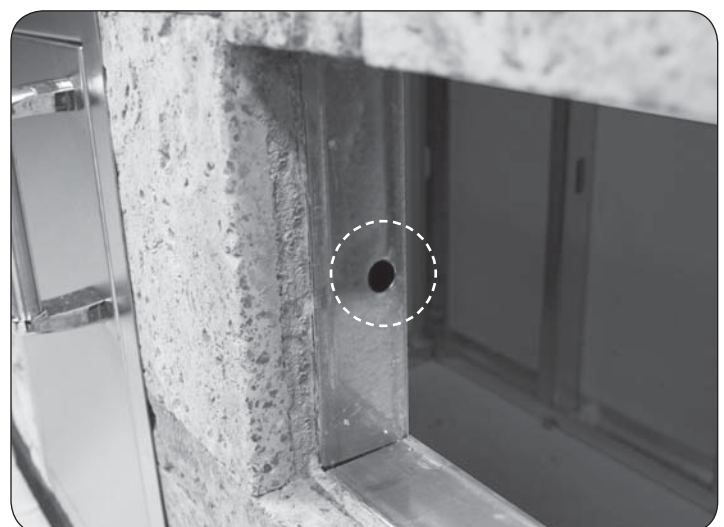


Fig. 1-2 Create screw assy clearance (if necessary)