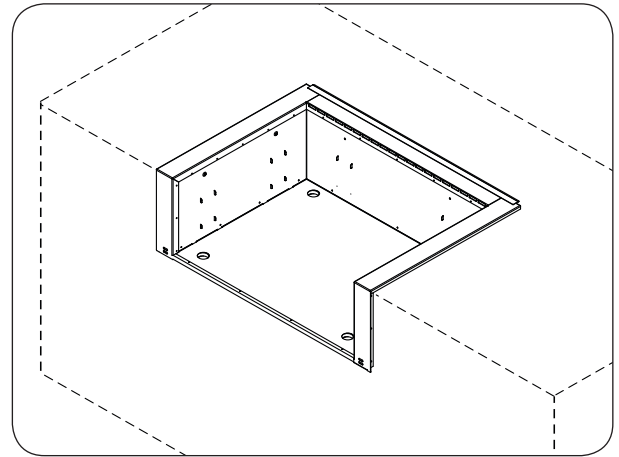




# GRILL INSULATING LINER

Model# 23130-52  
 23150-52  
 3177-52  
 3176-52  
 3186-52  
 3185-52



**INSTALLER:** Leave these instructions with consumer.  
**CONSUMER:** Retain for future reference.

## SPECIFICATIONS

### IMPORTANT INFORMATION

Read these instructions and the safety and installation sections of the grill owner's manual before liner installation.

The insulating liner comes pre-assembled and ready to install.

FOR YOUR SAFETY, the enclosure must provide openings for drainage, replacement air, and cross-ventilation of any storage area exposed to possible leakage from gas connections, the unit, or propane cylinders.

**This liner is only for installation in an enclosure constructed of combustible materials and a NON-COMBUSTIBLE countertop.**

**All additional enclosure requirements, safety guidelines, and any other requirements found in your grill owner's manual MUST BE FOLLOWED.**

The insulating liner is designed to be supported from the countertop using the liner hangers. See Fig. 1-1.

**Note:** Framing the cut-out with side walls, a rear wall, and a base is permitted.

Grill Series	Liner Model
A430/C430/CM430/CMA430	23130-52
A540/C540/CM540/CMA540	23150-52
C650/CM650/CMA650	3177-52
A660/E660	3176-52
A790/E790	3186-52
E1060	3185-52

Table 1 - Models available

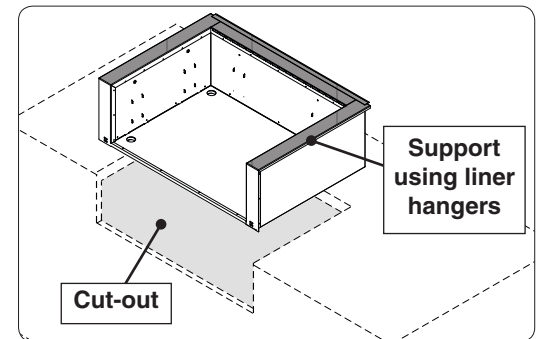


Fig. 1-1 Installation orientation

See your grill owner's manual for all overall enclosure requirements.

See sections on following pages regarding cutout dimensions, and countertop overhang and substrate considerations. Then proceed to INSTALLATION.

# SPECIFICATIONS (cont.)

## CUTOUT DIMENSIONS

Grill series	A430/C430/ CM430/ CMA430	A540/C540/ CM540/ CMA540	C650/ CM650/ CMA650	A660/E660	A790/E790	E1060
<b>Insulating liner model</b>	<b>23130-52</b>	<b>23150-52</b>	<b>3177-52</b>	<b>3176-52</b>	<b>3186-52</b>	<b>3185-52</b>
<b>A</b> Countertop to unit bottom <b>cutout</b>	12 1/4"	12 1/4"	12 1/4"	12 1/4"	12 1/4"	12 1/4"
<b>B</b> Side to side <b>cutout</b>	30 3/8"	37"	42 1/2"	36 1/4"	42"	54 7/8"
<b>C</b> Front to back <b>cutout</b> *	22 1/8"	22 1/8"	22 1/8"	26"	26"	26"
<b>D</b> Liner flange width <b>cutout</b> †	31 1/2"	38"	43 1/2"	37 1/8"	43"	56 1/4"

\* Includes any substrate at front wall of enclosure (in the areas the liner flanges are to sit flush against).  
See SUBSTRATE section on next page.

† Only applicable for enclosures that have countertops with an overhang (see illustration and section below).

**Table 2 - Cutout Dimensions**

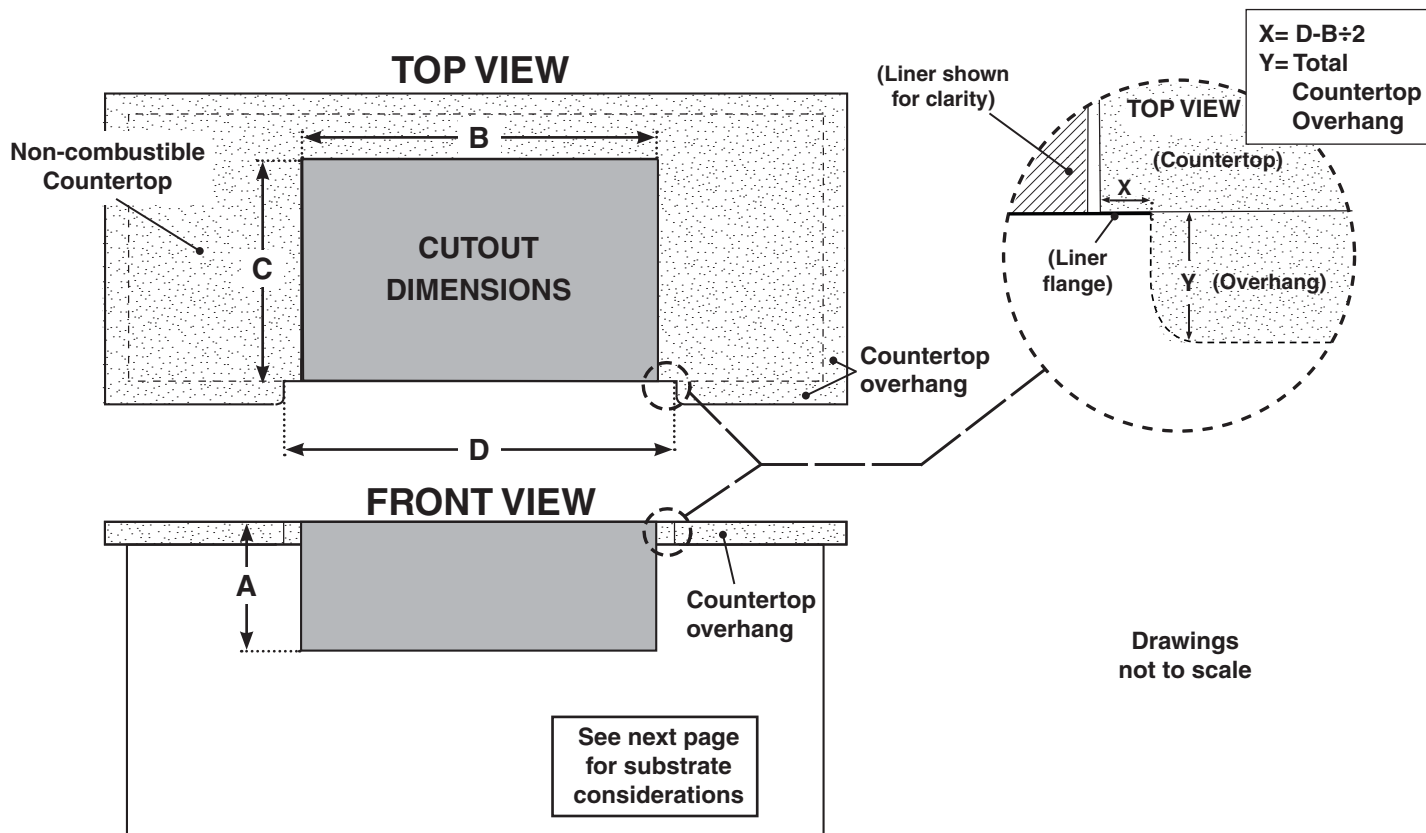


Fig. 2-1

### Countertop Overhang

The liner front flanges are designed to sit flush against the enclosure front wall. If the countertop extends beyond the front wall, creating a countertop overhang, it must be cut flush with the front wall for the width of the liner flanges or a gap will be created exposing the forward portions of the left and right side liner walls. See illustrations above.

**Important:** **FOR YOUR SAFETY, you must provide openings in the island enclosure for drainage, replacement air, and cross-ventilation of any storage area exposed to possible leakage from gas connections, the unit, or propane bottles. See the ENCLOSURE REQUIREMENTS section in grill owner's for details.**

**Substrate**

When adding any substrate to the enclosure front wall (including tiles, stone, etc.), make allowance for:

**Substrate Behind Liner Flange**

Substrate + countertop "front to back" cutout must equate to **Dim. C** (see previous page) when the substrate sits flush behind the liner flanges.

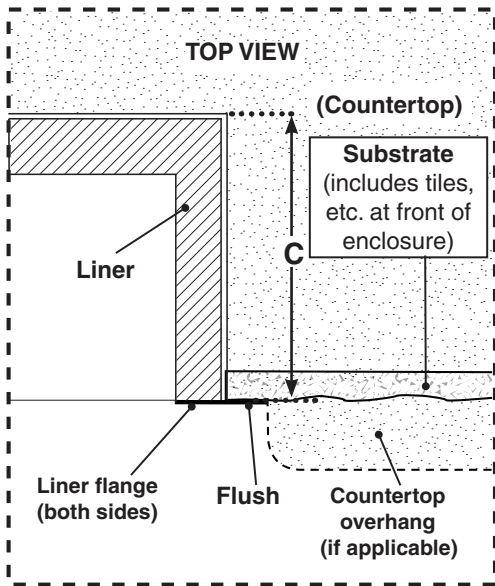


Fig. 3-1

**Substrate Alongside Liner Flange**

Any additional substrate alongside the liner flanges does not need to be considered in **Dim. C** (see previous page).

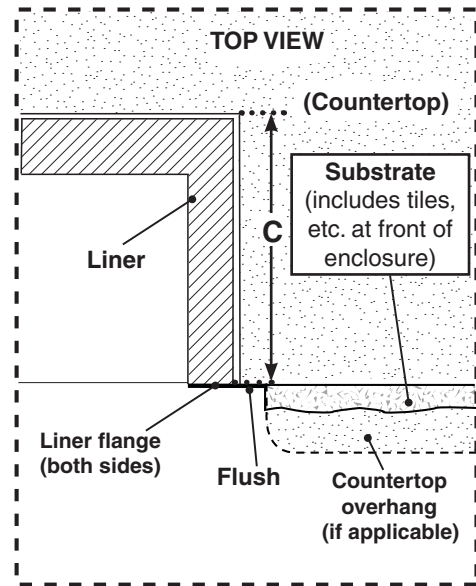


Fig. 3-2

Continued on next page

# INSTALLATION

1. Install the insulating liner as shown in Fig. 4-1.
  - If installing on a countertop with an irregular/textured surface, a bead of silicone sealer rated for 400° or higher may be needed to protect from the elements.
  - The insulating liner has knock-out holes (two at the front, and two at the rear) for electrical feeds (if applicable), and the gas feed.

**Note:** If possible, use the front hole for electrical feeds. See Fig. 4-3.

2. Install your grill per your grill owner's manual.

**Important:** Do not allow the grill hanger to come in contact with the countertop or any combustible surface (see Fig. 4-2).

**VENTILATION PORTS LOCATED AT THE FRONT AND REAR OF THE GRILL INSULATING LINER SHOULD NEVER BE BLOCKED. KEEP CLEAR FOR PROPER VENTILATION OF THE UNIT. See Fig. 4-3.**

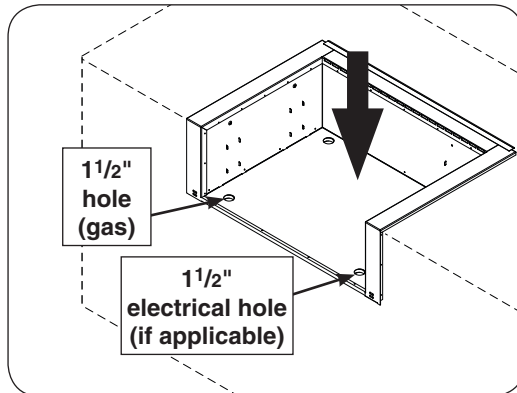


Fig. 4-1 Install insulating liner

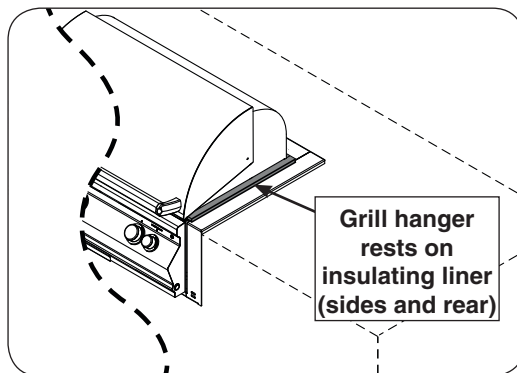


Fig. 4-2 Install grill into liner

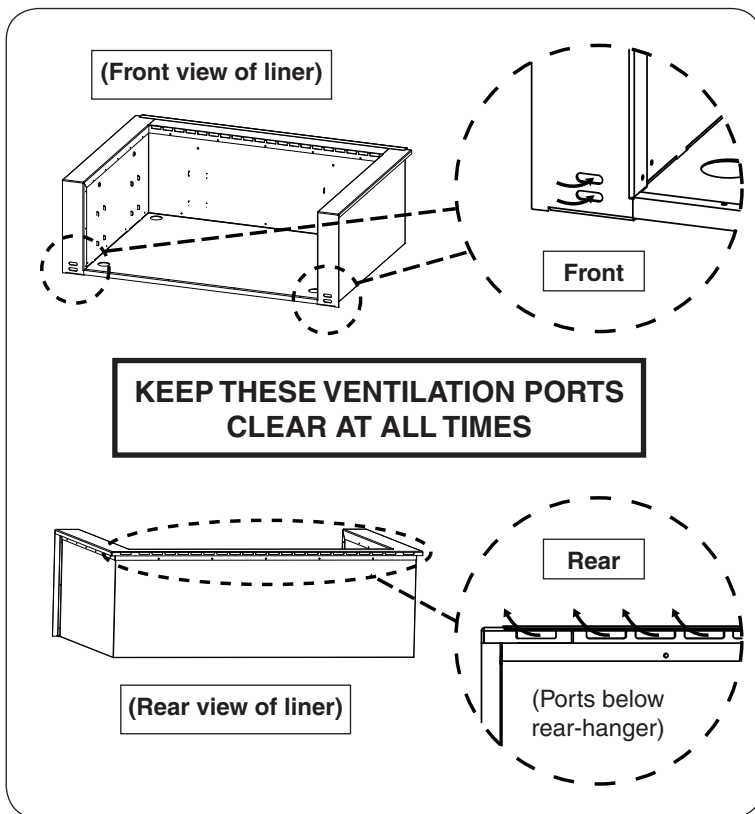


Fig. 4-3 Keep ventilation ports clear