

# Installation Manual

## Installation and Fireplace Setup

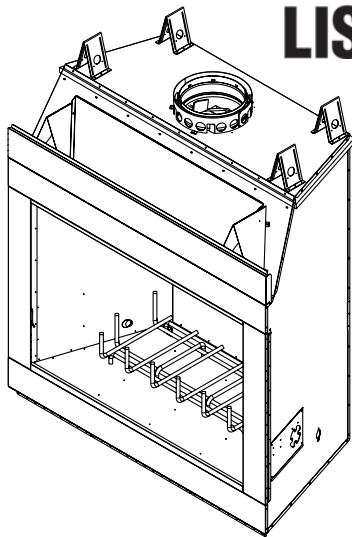
**INSTALLER:** Leave this manual with party responsible for use and operation.

**OWNER:** Retain this manual for future reference.

**NOTICE:** DO NOT discard this manual!



**Model(s):**  
**ODCTGWD-50**



**WOODBURNING FIREPLACE**

Installation and service of this appliance should be performed by qualified personnel. Hearth & Home Technologies recommends HHT Factory Trained or NFI certified professionals.



**⚠ WARNING:** If the information in these instructions is not followed exactly, a fire or explosion may result causing property damage, personal injury, or death.

- **DO NOT** store or use gasoline or other flammable vapors and liquids in the vicinity of this or any other appliance.
- **DO NOT** overfire. Overfiring will void your warranty.
- Comply with all minimum clearances to combustibles as specified. Failure to comply may cause house fire.

### ⚠ WARNING



#### **HOT SURFACES!**

Glass and other surfaces are hot during operation AND cool down.

#### **Hot glass will cause burns.**

- **DO NOT** touch glass until it is cooled
  - **NEVER** allow children to touch glass
  - Keep children away
  - **CAREFULLY SUPERVISE** children in same room as fireplace.
  - Alert children and adults to hazards of high temperatures.
- High temperatures may ignite clothing or other flammable materials.**
- Keep clothing, furniture, draperies and other flammable materials away.

### ⚠ WARNING



#### **Fire Risk.**

For use with solid wood fuel only. Other fuels may overfire and generate poisonous gases (i.e. carbon monoxide).

## Safety Alert Key:

- **DANGER!** Indicates a hazardous situation which, if not avoided will result in death or serious injury.
- **WARNING!** Indicates a hazardous situation which, if not avoided could result in death or serious injury.
- **CAUTION!** Indicates a hazardous situation which, if not avoided, could result in minor or moderate injury.
- **NOTICE:** Indicates practices which may cause damage to the fireplace or to property.

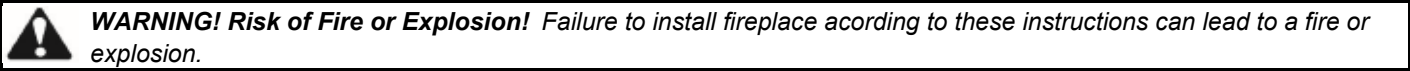
## Table of Contents

<b>1 Product Specific &amp; Important Safety Information</b>		<b>6 Shrouds</b>	
A. Fireplace Certification	4	A. Radiation Shield	28
B. Non-Combustible Materials	4	B. Field Constructed Shrouds	28
C. Combustible Materials	4	1. Open Top Shroud	28
<b>2 Getting Started</b>		2. Mailbox Style Shroud	29
A. Typical Fireplace System	5	3. Roofed Style Shroud	29
B. Design and Installation Considerations	6	<b>7 Finishing</b>	
1. Selecting Fireplace Locations	6	A. Finishing Material	30
2. Locating Fireplace & Chimney	7	B. Hearth Extension, Building and Finishing	31
C. Tools and Supplies Needed	8	1. Fireplace Installed Flush on the Floor	
D. Inspect Fireplace and Components	8	and Hearth Extension Raised to	
E. Fireplace System Requirements	8	Bottom of Firebox Opening	32
<b>3 Framing and Clearances</b>		2. Raised Hearth Extension and Raised Fireplace	33
A. Appliance Dimensions/Weight	9	3. Fireplace Opening and Hearth Extension	
B. Clearances	10	Flush with the Floor	34
Minimum Clearances to Combustibles	10	C. Non-Combustible Sealant Material	35
C. Construct the Chase	11	D. Mantel and Wall Projections	36
D. Unpack the Fireplace	12	E. Sidewalls/Surrounds	37
E. Frame the Fireplace	13	<b>► 8 Fireplace Setup</b>	
F. Secure and Level the Fireplace	13	A. Install Refractory	38
G. Protective Metal Hearth Strips	15	B. Gas Log/Lighter Provision	39
H. Outside Air Kit	16	<b>9 Reference Materials</b>	
<b>4 Chimney and Termination Requirements</b>		A. Chimney Components	41
A. Chimney Requirements	18	B. Optional Components	44
B. Offsets/Returns	19		
C. Termination Requirements	20		
<b>5 Chimney Installation</b>			
A. Typical Chimney System	21		
B. Assemble Chimney Sections	22		
C. Install Chimney Air Kit (optional)	22		
D. Secure Offset/Return	23		
E. Install Ceiling Firestops	23		
F. Install Attic Insulation Shield	24		
G. Roof Penetration	25		
H. Install Chase/Chase Top	25		
I. Termination Cap Requirements	26		
J. Install Termination Cap	26		

**ATTENTION INSTALLER:**  
**Follow this Standard Work Checklist**

This standard work checklist is to be used by the installer in conjunction with, not instead of, the instructions contained in this installation manual.

<b>Customer:</b>	_____	<b>Date Installed:</b>	_____
<b>Lot/Address</b>	_____	<b>Location of Fireplace:</b>	_____
	_____	<b>Installer:</b>	_____
<b>Model (circle one):</b>	ODCTGWD-50	<b>Dealer/Distributor Phone #</b>	_____
		<b>Serial #:</b>	_____



**Fireplace Install**

Verified that the chase is insulated and sealed. (Pg. 11)	<input type="checkbox"/>	<b>IF NO, WHY?</b>	_____
Verified clearances to combustibles. (Pg. 10)	<input type="checkbox"/>		_____
Fireplace is leveled and secured. (Pg. 14)	<input type="checkbox"/>		_____
Protective hearth strips installed per manual requirements. (Pg. 14)	<input type="checkbox"/>		_____
Hearth extension size/height decided. (Pg. 29)	<input type="checkbox"/>		_____
Outside air kit installed. (Pg. 15)	<input type="checkbox"/>		_____

**Chimney Section 4 & 5 (Pg. 16)**

Chimney configuration complies with diagrams.	<input type="checkbox"/>		_____
Chimney installed, locked and secured in place with proper clearance.	<input type="checkbox"/>		_____
Chimney air kit installed.	<input type="checkbox"/>		_____
Firestops installed.	<input type="checkbox"/>		_____
Attic insulation shield installed.	<input type="checkbox"/>		_____
Roof flashing installed.	<input type="checkbox"/>		_____
Termination installed.	<input type="checkbox"/>		_____

**Shrouds Section 6 (Pg. 26)**

Shroud is installed properly per instructions.	<input type="checkbox"/>		_____
--	--------------------------	--	-------

**Finishing Section 7 (Pg. 28)**

Combustible materials not installed in non-combustible areas.	<input type="checkbox"/>		_____
Verified all clearances meet installation manual requirements.	<input type="checkbox"/>		_____
Mantels and wall projections comply with installation manual requirements.	<input type="checkbox"/>		_____
Hearth extension installed per manual requirements.	<input type="checkbox"/>		_____

**Fireplace Setup Section 8 (Pg. 35)**

All packaging and protective materials removed.	<input type="checkbox"/>		_____
Molded brick panels installed correctly.	<input type="checkbox"/>		_____
Grate is properly installed.	<input type="checkbox"/>		_____
Firescreen installed properly.	<input type="checkbox"/>		_____
Optional doors properly installed.	<input type="checkbox"/>		_____
Manual bag and all of its contents are removed from the fireplace and given to the party responsible for use and operation.	<input type="checkbox"/>		_____

**Hearth & Home Technologies recommends the following:**

- Photographing the installation and copying this checklist for your file.
- That this checklist remain visible at all times on the fireplace until the installation is complete.

**Comments:** Further description of the issues, who is responsible (Installer/Builder/Other Trades, etc.) and corrective action needed:

\_\_\_\_\_  
 \_\_\_\_\_

Comments communicated to party responsible \_\_\_\_\_ by \_\_\_\_\_ on \_\_\_\_\_  
 (Builder/Gen. Contractor) (Installer) (Date)

# 1 Product Specific & Important Safety Information

## A. Fireplace Certification

This fireplace system has been tested and listed in accordance with UL 127 standards by Underwriters Laboratories Inc. for installation and operation in the United States.

This fireplace may be installed in sleeping rooms. This fireplace is not approved for manufactured housing. If installed with a gas log set, provisions for the National Fuel Gas Code must be met.

This fireplace has been tested and listed for use with the optional components specified in this manual. These optional components may be purchased separately and installed at a later date. An outside air kit, gas insert, gas log set or gas log-lighter should be installed at the time of fireplace installation.

Heatilator is a registered trademark of Hearth & Home Technologies.

**WARNING! Risk of Fire!** *Hearth & Home Technologies disclaims any responsibility for, and the warranty and agency listing will be voided by the following actions.*

### DO NOT:

- *install or operate damaged fireplace*
- *modify fireplace*
- *install other than as instructed by Hearth & Home Technologies*
- *operate the fireplace without fully assembling all components*
- *overfire*
- *install any component not approved by Hearth & Home Technologies*
- *install parts or components not Listed or approved*

*Improper installation, adjustment, alteration, service or maintenance can cause injury or property damage. For assistance or additional information, consult a qualified installer, service agency or your dealer.*



**WARNING:** This product and the fuels used to operate this product (wood and wood pellets), and the products of combustion of such fuels, can expose you to chemicals including carbon black, which is known to the State of California to cause cancer and carbon monoxide, which is known to the State of California to cause birth defects or other reproductive harm. For more information go to: [www.P65Warnings.ca.gov](http://www.P65Warnings.ca.gov).

## B. Non-Combustible Materials

- Materials which will not ignite and burn, composed of any combination of the following:
  - Steel
  - Brick
  - Concrete
  - Glass
  - Iron
  - Tile
  - Slate
  - Plasters
- Materials reported as passing **ASTM E 136, Standard Test Method for Behavior of Metals, in a Vertical Tube Furnace at 750° C**

## C. Combustible Materials

- Materials made of or surfaced with any of the following materials:
  - Wood
  - Plant fibers
  - Plywood/OSB
  - Compressed paper
  - Plastic
  - Sheet rock (drywall)
- Any material that can ignite and burn; flame proofed or not, plastered or un-plastered

# 2 Getting Started

## A. Typical Fireplace System

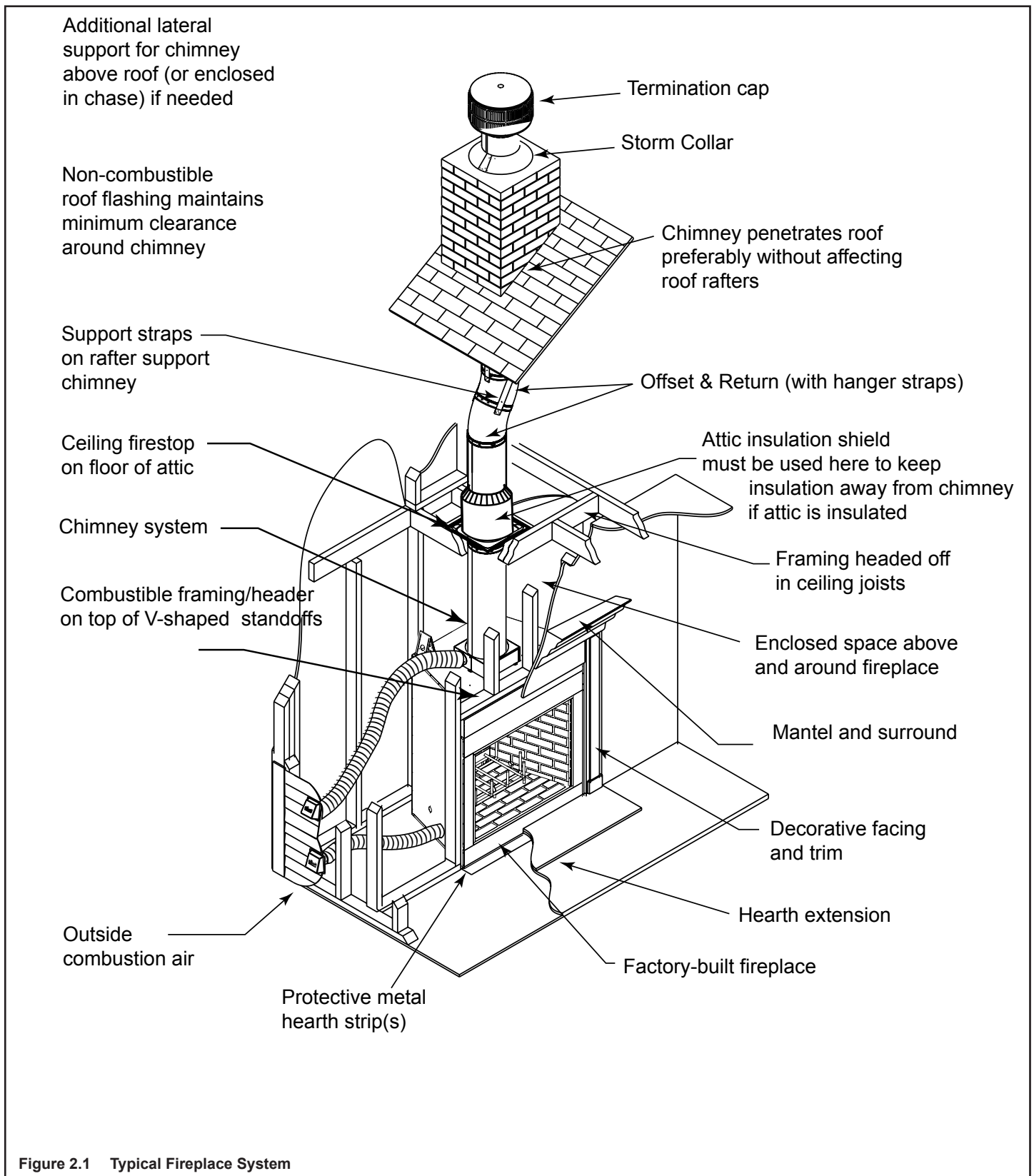


Figure 2.1 Typical Fireplace System

## B. Design and Installation Considerations

**NOTICE:** Check building codes prior to installation.

- Installation **MUST** comply with local, regional, state and national codes and regulations.
- Consult insurance carrier, local building inspector, fire officials or authorities having jurisdiction over restrictions, installation inspection and permits.
- **Before installing**, determine the following:
  - Where the fireplace is to be installed.
  - The vent system configuration to be used.
  - Gas supply piping.
  - Electrical wiring.
  - Framing and finishing details.
  - Whether optional accessories - devices such as a fan, wall switch or remote control - are desired.

### 1. Selecting Fireplace Locations

This fireplace may be used as a room divider, installed along a wall, across a corner or used in an exterior chase. See Figure 2.2.

Locating the fireplace in a basement should be avoided. Locating near frequently opened doors, central heat outlets or returns, or other locations of considerable air movement can affect the performance.

Consideration should be given to these factors before deciding on a location.

**NOTICE:** In addition to these framing dimensions, also reference the following section:

- Clearances (Section 3).

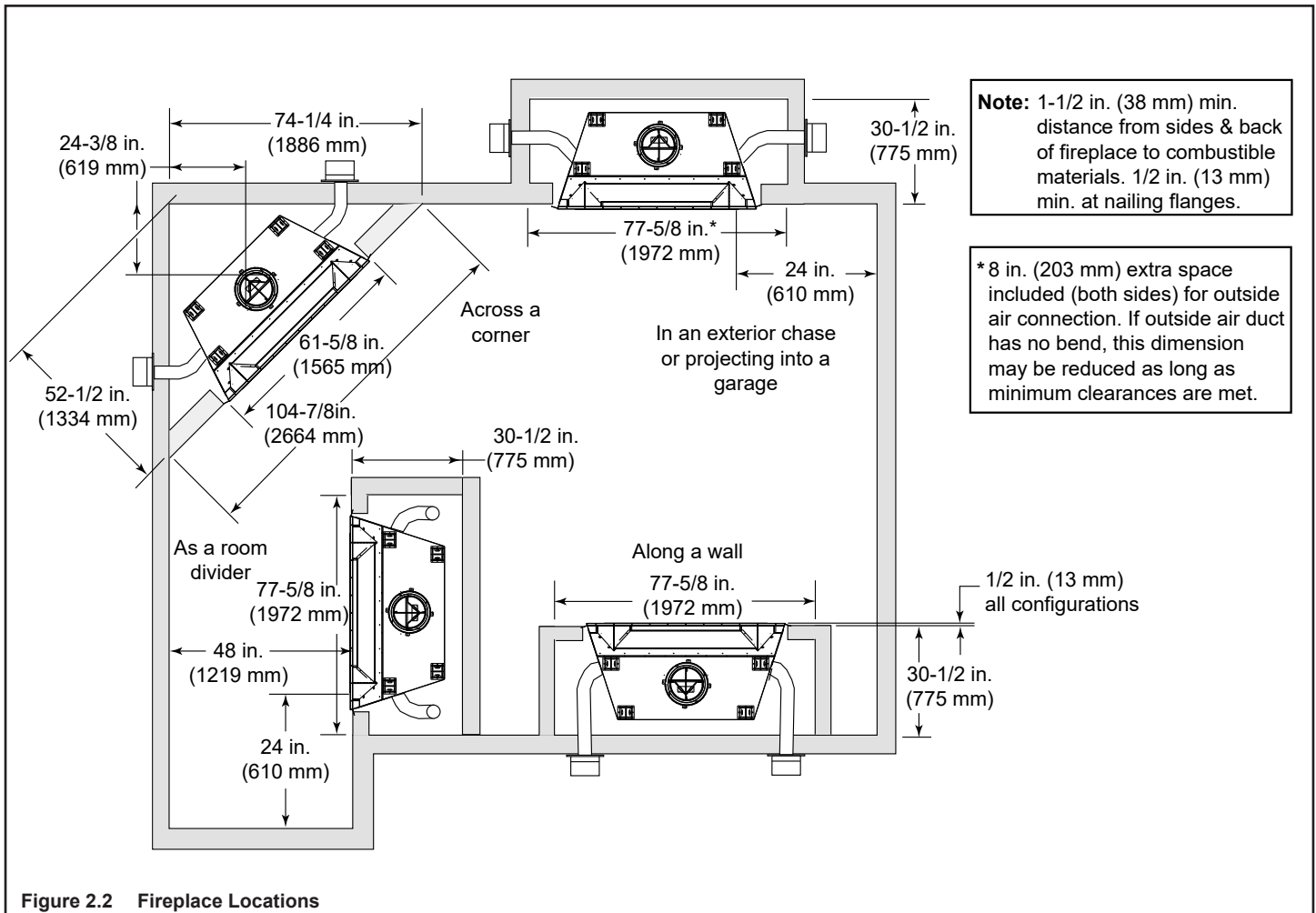
**NOTICE:**

- Illustrations and photos reflect typical installations and are **FOR DESIGN PURPOSES ONLY**.
- Illustrations/diagrams are not drawn to scale.
- Actual installation/appearance may vary due to individual design preference.
- Hearth & Home Technologies reserves the right to alter its products.

**NOTICE:**

A minimum 1-1/2 in. air clearance at the back and a minimum 1-1/2 in. air clearance to the sides of the fireplace assembly must be maintained.

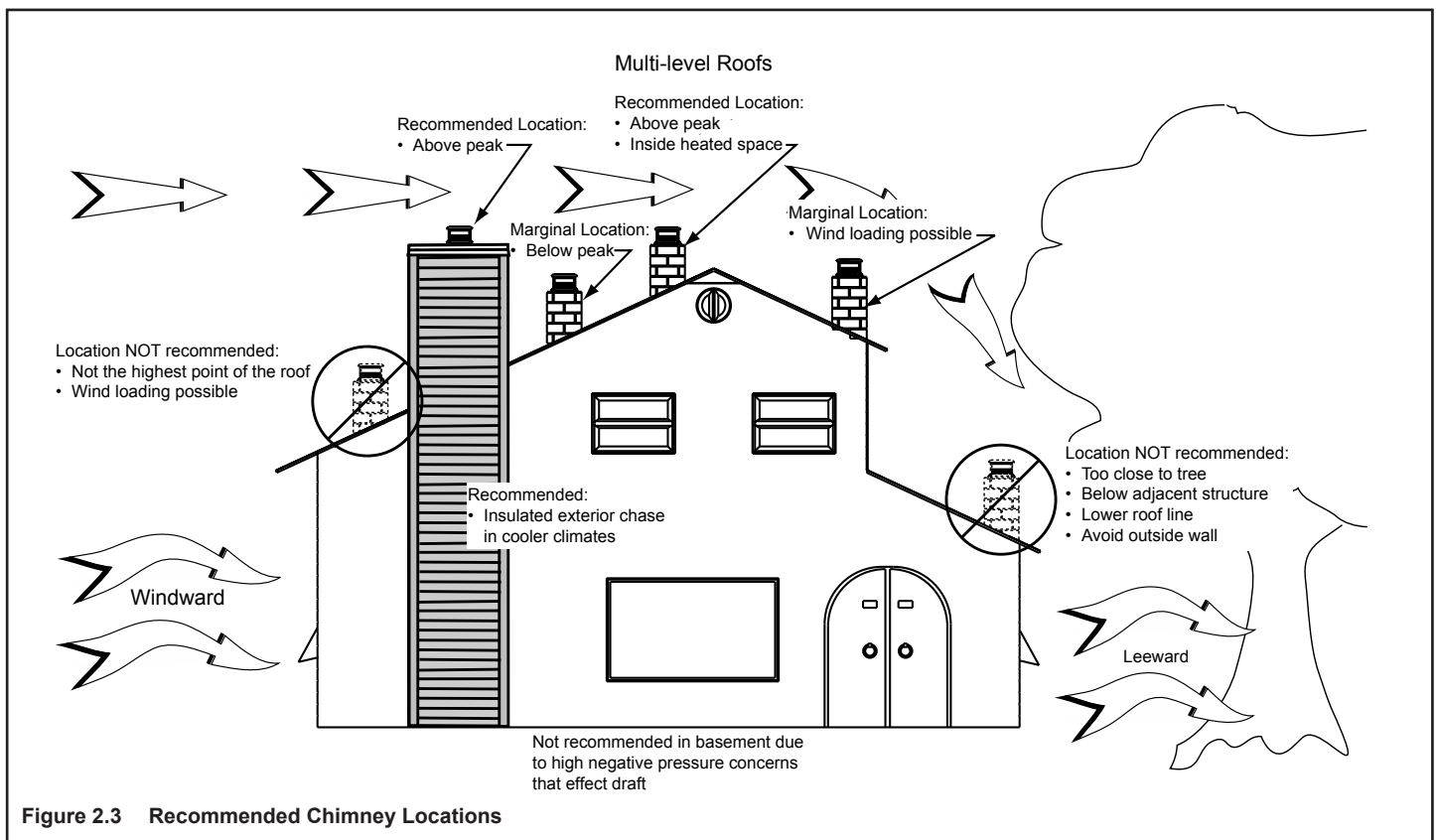
**Chimney sections at any level require a 2 in. minimum air space clearance between the framing and chimney sections.**



## 2. Locating Fireplace & Chimney

Location of the fireplace and chimney will affect performance.

- Install within the warm airspace enclosed by the building envelope. This helps to produce more draft, especially during lighting and die-down of the fire.
- Installing the fireplace in a basement is not recommended.
- Penetrate the highest part of the roof. This minimizes the effects of wind loading.
- Locate termination cap away from trees, adjacent structures, uneven roof lines and other obstructions.
- Minimize the use of chimney offsets.
- Consider the fireplace location relative to floor and ceiling and attic joists.
- Take into consideration the termination requirements in Sections 4 and 5.
- Install the outside air kit with the intake facing prevailing winds during the heating season.
- Ensure adequate outdoor air for all combustion appliances and exhaust equipment.
- Ensure furnace and air conditioning return vents are not located in the immediate vicinity of the fireplace.
- Avoid installing the fireplace near doors, walkways or small isolated spaces.
- Recessed lighting should be a “sealed can” design.
- Attic hatches weather stripped or sealed.
- Attic mounted duct work and air handler joints and seams taped or sealed.



### C. Tools and Supplies Needed

Before beginning the installation be sure the following tools and building supplies are available:

Reciprocating saw	Framing material
Pliers	Non-combustible sealant
Hammer	Gloves
Phillips screwdriver	Framing square
Flat blade screwdriver	Electric drill and bits
Plumb line	Safety glasses
Level	Tape measure
1/2-3/4 in. length, #6 or #8 self-drilling screws	
Misc. screws and nails	

### D. Inspect Fireplace and Components

***WARNING! Risk of Fire and/or Explosion! Damaged parts could impair safe operation. DO NOT install damaged, incomplete or substitute components. Keep fireplace dry.***

- Remove fireplace and components from packaging and inspect for damage.
- Vent system components and doors are shipped in separate packages.
- Report to your dealer any parts damaged in shipment.
- **Read all the instructions before starting the installation. Follow these instructions carefully during the installation to ensure maximum safety and benefit.**

### E. Fireplace System Requirements

Fireplace system requirements consist of the following:

- Fireplace
  - Refractory (required, sold separately)
    - WDR3350-T-NG Refr. Trad. Natural Gray
    - WDR3350-T-BK Refr. Trad. Black Onyx
    - WDR3350-T-BR Refr. Trad. Masonry Brown
    - WDR3350-H-NG Refr. Herr. Natural Gray
    - WDR3350-H-BK Refr. Herr. Black Onyx
    - WDR3350-H-BR Refr. Herr. Masonry Brown
  - Firescreen (included with fireplace)
  - Hearth Extension (required, sold separately)
  - Grate (included with fireplace)
- Outside Air System
  - Air Inlet Hood (included with fireplace)
  - Flex (required, sold separately)
- Chimney System
  - Attic insulation shield (included with fireplace)
  - Chimney termination cap (required, sold separately)
- Non-combustible finish material
- Drainage Pan (required on wood surfaces, sold separately)

# 3 Framing and Clearances

## A. Appliance Dimensions/Weight

Appliance Weight Table

Model	Pounds
CTG-50	443

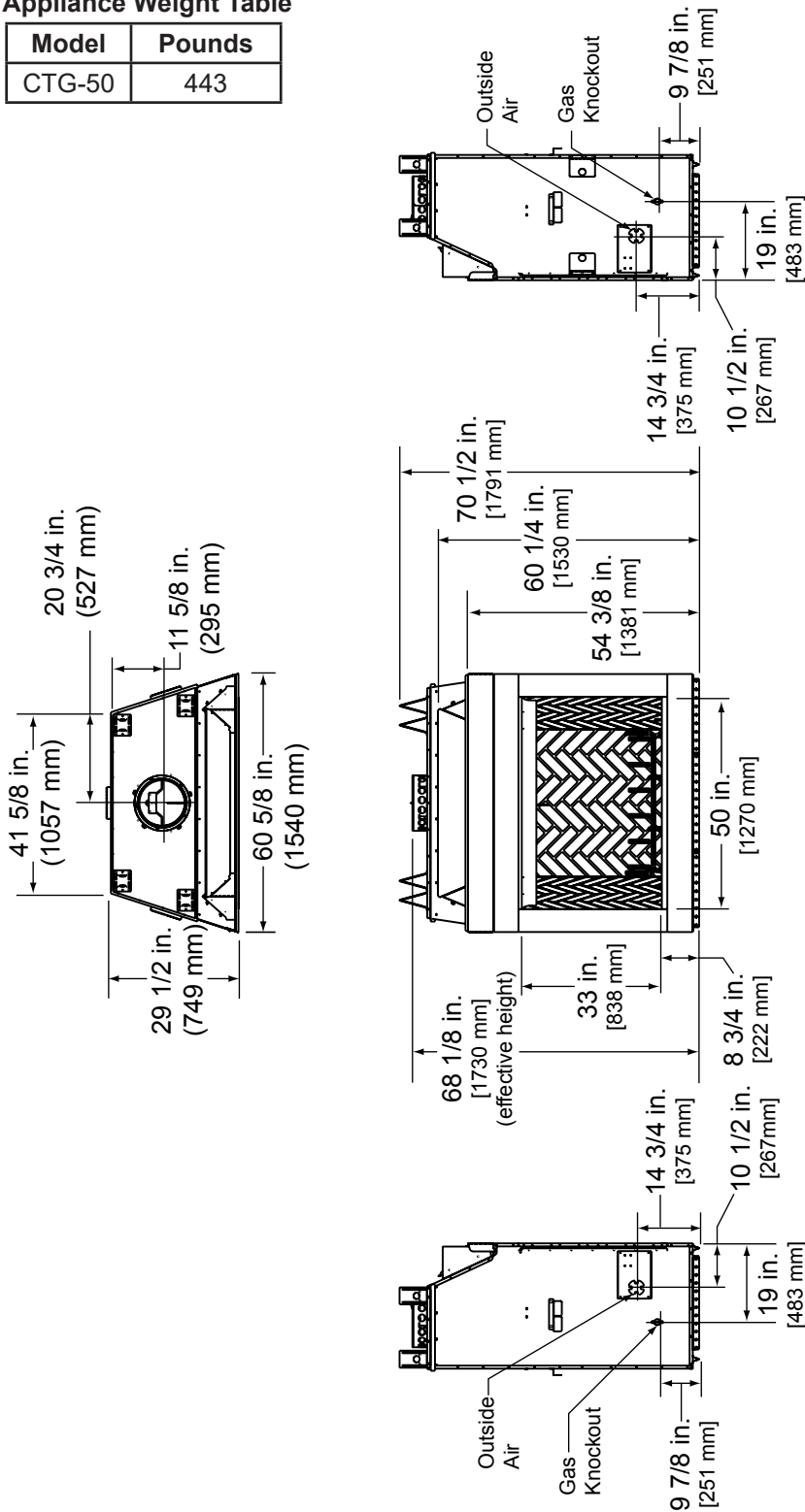


Figure 3.1 Appliance Dimensions

## B. Clearances

### WARNING! Risk of Fire!

You must comply with all minimum air space clearances to combustibles as specified in Figure 3.2. **DO NOT** pack required air spaces with insulation or other materials. Framing or finishing material used on the front of, or in front of, the fireplace closer than the minimums listed must be constructed entirely of non-combustible materials (i.e., steel studs, concrete board, etc.). Failure to comply may cause fire.

## Minimum Clearances to Combustibles

<b>WITHIN ENCLOSURE AREA</b>	
Fireplace to backwall	1-1/2 in. (38 mm)
Fireplace to sidewall	1-1/2 in. (38 mm)
Top standoffs to header	0 in. (0 mm)
Door opening to sidewall	24 in. (610 mm)
<b>MANTEL</b>	
Mantel minimum height	20 in. (508 mm) above opening
Maximum mantel depth	12 in. (305 mm)

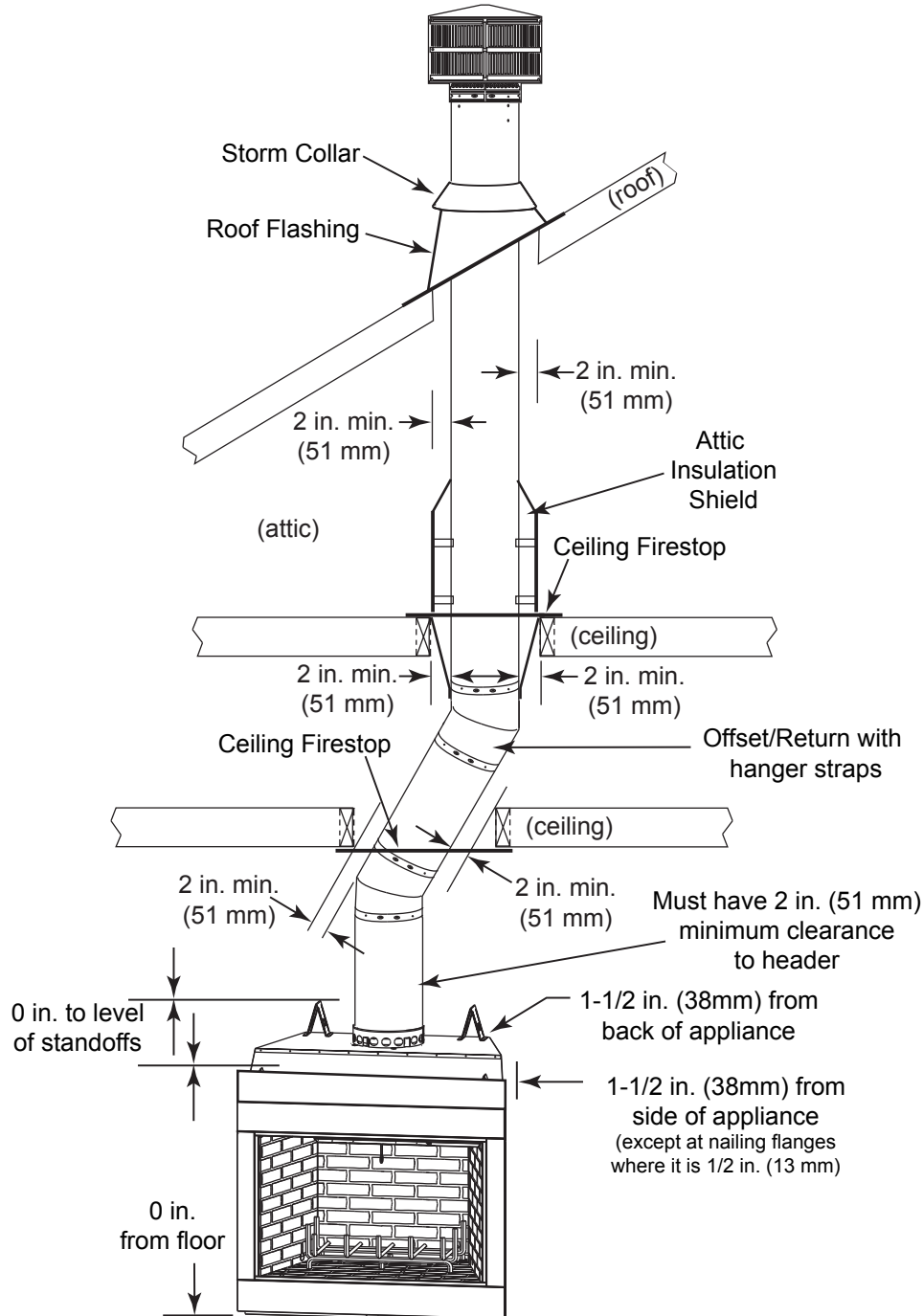


Figure 3.3 Clearances to Combustible Materials

## C. Construct the Chase

A chase is a vertical boxlike structure built to enclose the fireplace and/or its vent system. Vertical chimneys that run on the outside of a building must be installed inside a chase.

In cold climates, Hearth & Home Technologies recommends that the chase be well insulated using batt type insulation between the joists.

Construction of the chase may vary with the type of building. These instructions are not substitutes for the requirements of local building codes. Local building codes **MUST** be checked.

Chases should be constructed in the manner of all outside walls of the home to prevent cold air drafting problems. The chase should not break the outside building envelope in any manner. All outer walls need to be insulated.

Building codes require false ceiling and ceiling firestops/attic shields at each floor of the chase or every 10 ft (3048 mm) of clear space to control spread of fire.

Walls, ceiling, base plate and cantilever floor at the first level of the chase should be insulated (see Figure 3.4.) Vapor and air infiltration barriers should be installed in the chase as per regional codes for the rest of the home. Additionally, Hearth & Home Technologies recommends that the inside surfaces be drywalled and taped (or the use of an equivalent method) for maximum air tightness.

Holes and other openings should be caulked with high temperature caulk or stuffed with unfaced fiber glass insulation.

**WARNING! You must install false ceilings and ceiling firestops at each floor of the chase or every 10 ft (3.05 m) to control spread of fire.**

**WARNING! Risk of Fire! DO NOT seal area between fire stop opening and chimney pipe except where they enter the attic or leave the warm air envelope of the home (use 600° F sealant).**

- The chase is constructed using framing materials much the same as the walls in your home. A variety of siding materials may be used including brick, stone, veneer brick, or standard siding materials.
- In constructing the chase, several factors must be considered:
  - Maintain a 2 in. (51 mm) air space around the chimney.
  - The chase top must be constructed of non-combustible material.
  - In cold climates, a firestop spacer and attic insulation shield should be installed in an insulated false ceiling at the 8 ft. (2438 mm) level above the fireplace assembly. This reduces heat loss through the chase.
  - In cold climates, the walls of the chase should be insulated to the level of the false ceiling as shown in Figure 3.4. This will help reduce heat loss from the home around the fireplace.

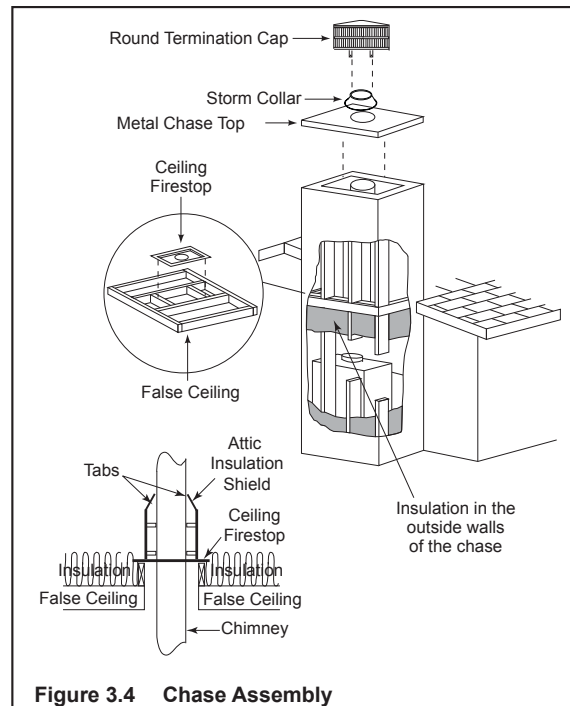


Figure 3.4 Chase Assembly

**WARNING! Risk of Fire! You must maintain a minimum 2 in. (51 mm) air space clearance to insulation and other materials surrounding the chimney system.**

- Insulation and other materials must be firmly secured to prevent accidental contact with chimney system.
- The chase must be properly blocked to prevent blown insulation or other combustibles from entering and making contact with fireplace or chimney.
- Failure to prevent contact between insulation or other materials and chimney system may cause overheating and fire.

Three examples of chase applications are shown in Figure 3.5.

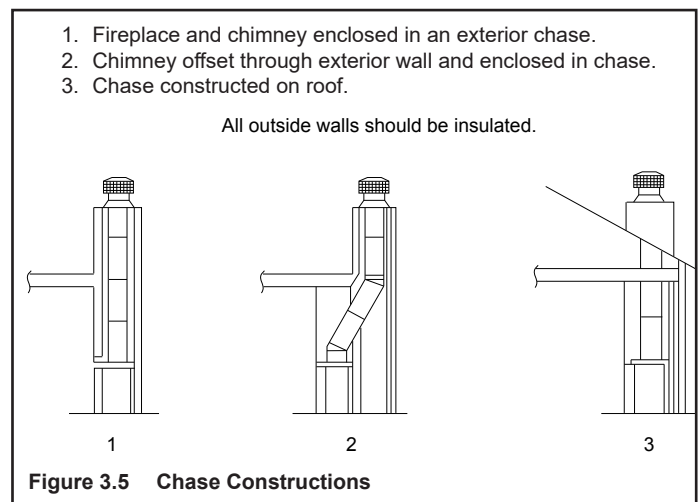


Figure 3.5 Chase Constructions

## D. Unpack the Fireplace

- Remove packaging.
- Remove shipping brackets as shown in Figure 3.6. Replace the screws removed from the fireplace.
- Remove fireplace from pallet.  
The fireplace is attached to pallet with two brackets on each side and rear of outer shell. See Figure 3.6.
- Remove screws from bracket, pallet and fireplace. Replace screws removed from fireplace.
- Brackets can be used to anchor fireplace in position.



Figure 3.6 Removing Shipping Brackets

## E. Frame the Fireplace

**NOTICE:** Hearth extension design must be determined before installation of fireplace.

If the fireplace is placed on the floor the maximum height of a finished raised hearth is 8-3/4", if you want a higher raised hearth the fireplace must be placed on a platform.

**WARNING! Risk of Fire! Comply with all minimum clearances specified.**

- A minimum 1-1/2 in. (38 mm) air clearance must be maintained at the back and 1-1/2 in. (38 mm) to the sides of the fireplace assembly.
- Chimney sections at any level require a 2 in. (51 mm) minimum air space clearance between the framing and chimney section.

**WARNING! Risk of Fire! You must comply with all minimum air space clearances to combustibles. DO NOT pack required air spaces with insulation or other materials.**

Figure 3.11 shows a typical framing (using 2 x 4 lumber) of the fireplace, assuming combustible materials are used. All required clearances to combustibles around the fireplace must be adhered to. See Figure 3.2. Any framing across the top of the fireplace must be above the level of the top standoffs.

The finished cavity depth must be no less than 30-1/2 in. (775 mm) from the finished backwall to the outside of front wall framing.

**DO NOT** install header until the fireplace is in position.

**NOTE:** Before framing up the chase, consider where and how the chimney will run. If there are obstacles that might be in the way, it may be necessary to make the chase larger than shown to allow for offsets to be used. Refer to offset chart on page 17 if needed.

**CAUTION! Risk of Cuts/Abrasions. Wear protective gloves and safety glasses during installation. Sheet metal edges are sharp.**

## F. Secure and Level the Fireplace

This fireplace may be placed on either a combustible or noncombustible continuous flat surface. Follow the instructions for framing in Section 3. Slide the fireplace into position. Be sure to provide the minimum 1-1/2 in. air clearance at the sides and 1-1/2 in. at the back of the fireplace.

The fireplace should be positioned so the face of the non-combustible material on the fireplace will be flush with the face of the drywall on the walls.

Level the fireplace and shim as necessary.

**WARNING! Risk of Fire! Prevent contact with sagging, loose insulation.**

- **DO NOT** install against vapor barriers or exposed insulation.
- Secure insulation and vapor barriers.
- Provide minimum air space clearances at the sides and back of the fireplace assembly.

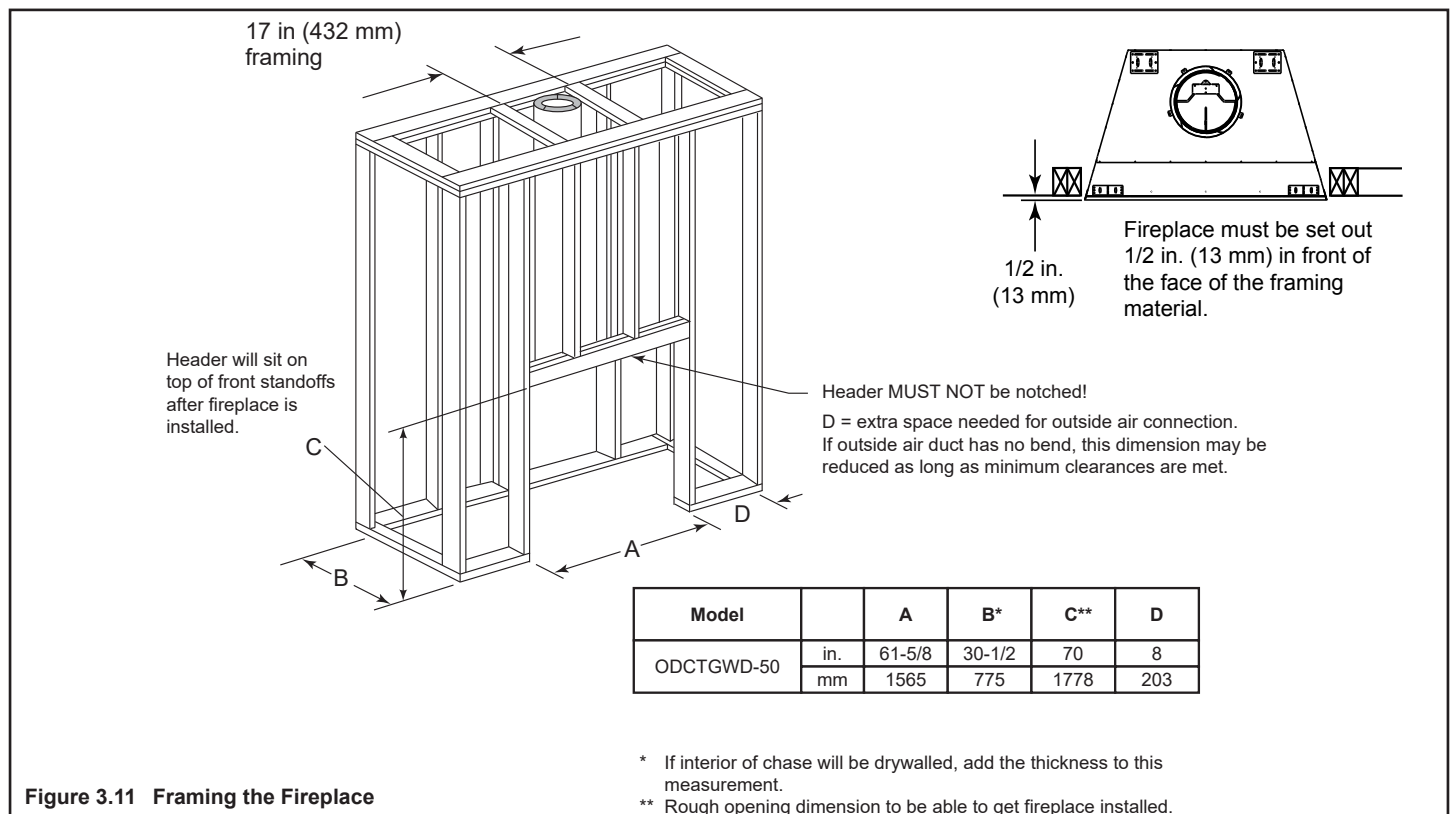


Figure 3.11 Framing the Fireplace

**Note:**

- Illustrations and photos reflect typical installations and are FOR DESIGN PURPOSES ONLY.
- Illustrations/diagrams are not drawn to scale.
- Actual installation/appearance may vary due to individual design preference.
- Hearth & Home Technologies reserves the right to alter its products.

• **Freestanding Installations (see Figure 3.14 and 3.15)**

When installing this fireplace as a freestanding fireplace in your yard, it must be enclosed to prevent impact damage to the fireplace. Freestanding applications allow for a reduction in the minimum vent run. Non-combustible framing and an extended smoke shield are required. See Table 3.1 and Figure 3.14.

• **Porch and Patio Installations**

The fireplace will not perform as an exterior wall. Hearth & Home Technologies recommends that the fireplace chase be constructed outside the structure's weather envelope. Where the platform meets the wall, use a flashing detail similar to that required for attached decks. Chase platforms, including hearths should slope away from the structure at 1/8 in. to 1/4 in. per foot. The fireplace can be shimmed level.

**When Installed on Surfaces Where Water May Collect or Cause Damage:**

Hearth & Home Technologies recommends that a drainage pan be placed under the unit (sold separately).

This can be constructed of metal, adhesive polymer membrane (such as ice and water shield) or other suitable materials. A means of drainage out of the pan such as tubes or weep holes should be provided. A slope of 1/8 in. to 1/4 in. per foot towards the drain port is suggested. The fireplace can be shimmed level. Hearths should slope away from the front of the fireplace and chase at 1/8 in. to 1/4 in. per foot. Spark strips must be used on top of any combustible hearth materials used for moisture management.

(Enclosed Fireplace)

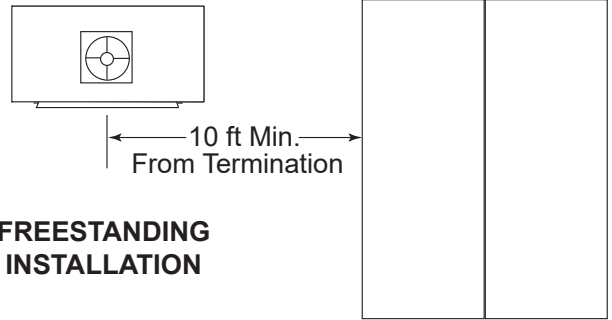


Figure 3.15 Freestanding Fireplace Location

**Table 3.1 Reduced Chimney Requirements**

Non-combustible enclosure minimum straight height	10 ft	3.05 m
Non-combustible enclosure minimum straight height with single offset/return	10 ft.	3.05 m
If vent run is less than 18 ft. an extended smoke shield needs purchased and used.	ODCTGWD-FSK50	

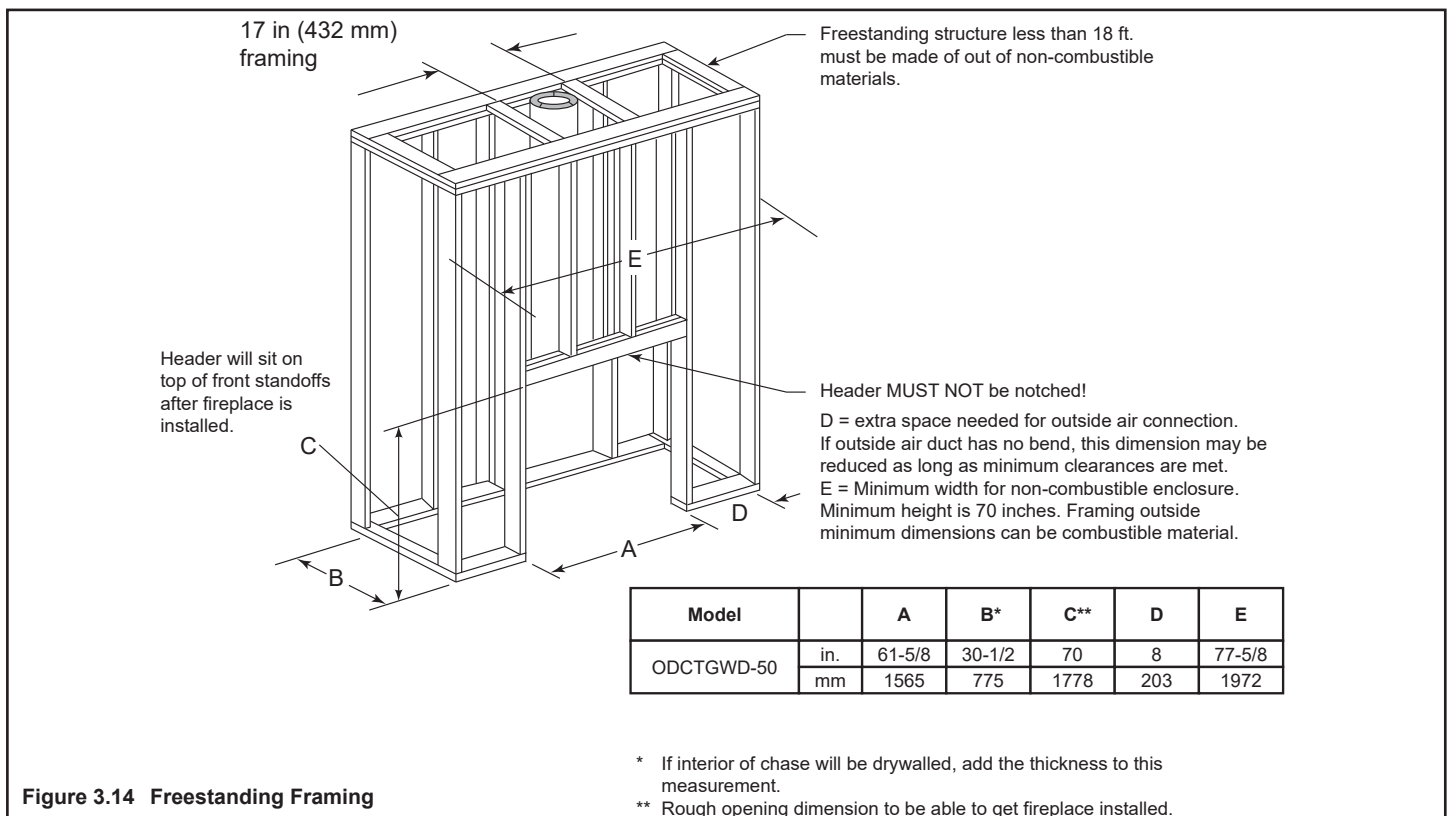


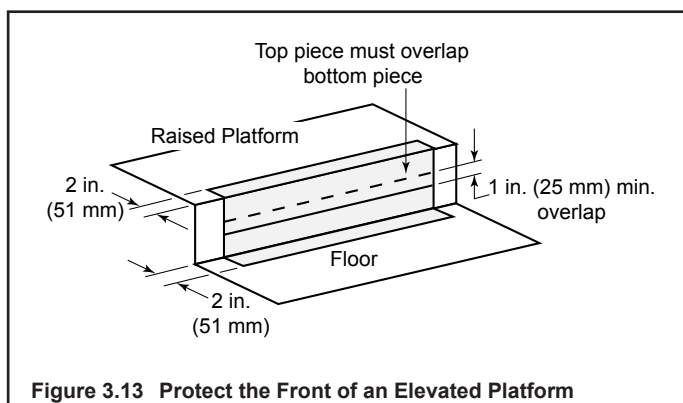
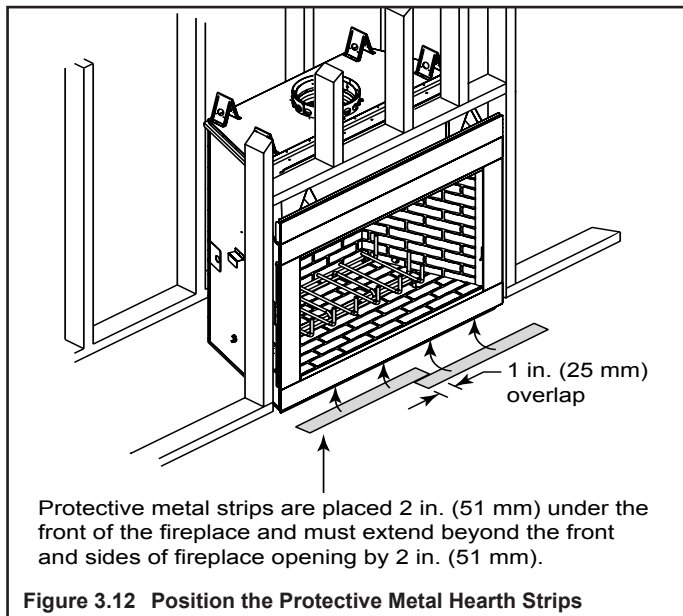
Figure 3.14 Freestanding Framing

## G. Protective Metal Hearth Strips

**WARNING! Risk of Fire!** Protective metal hearth strips **MUST** be installed on combustible surfaces. **DO NOT** cover metal strips with combustible materials. Sparks or embers may ignite flooring.

**WARNING! Risk of fire!** High temperatures, sparks, embers or other burning material falling from the fireplace may ignite flooring or concealed combustible surfaces.

- Protective metal hearth strips **MUST** be installed.
- Hearth extensions **MUST** be installed exactly as specified.
- Locate the three protective metal hearth strips measuring approximately 26 in. x 4 in. (660 mm x 102 mm) included with this fireplace.
- Slide each metal strip 2 in. (51 mm) under front edge of fireplace.
- Overlap strips in the middle of fireplace opening by 1 in. (25 mm) minimum.
- Metal strips must extend beyond the front and sides of the fireplace opening by at least 2 in. (51 mm), Figure 3.12).
- Protect the front of a platform elevated above the hearth extension with metal strips (not included with fireplace) per Figure 3.13. See Section 7 for hearth extension instructions.



## H. Outside Air Kit

Two outside air kits must be used for combustion. Hearth & Home Technologies recommends you utilize the shortest duct runs to optimize the performance of the outside air kits and install a P-trap. See Figure 3.16. The outside air inlet hoods should be positioned in a manner that will not allow snow, leaves, etc. to block the inlets. In some installations the air duct may need to be run vertically. In such an installation, a 3 ft (914 mm) height difference must be maintained from the top of the uppermost chimney section to the outside air inlet hoods.

**NOTE:** The maximum length of a 4 inch diameter duct is 20 feet. The duct can be extended up to a maximum of 40 feet by using 6 inch duct. A 4 inch to 6 inch adapter will be needed. (not included).

**NOTE:** The minimum cross-sectional area of the 4 inch inlet hood is 7.0 square inches.

Refer to Figures 3.14 and 3.15 when placing the outside air inlet hoods.

An outside air kit is installed on each side of the fireplace.

- Cut 4-1/2 in. (114 mm) holes in outside wall to accommodate air piping.
- Use 4 in. (102 mm) flex (not supplied) to directly connect outside air to fireplace intake. Insulate the pipe to prevent frost condensation.
- Use the supplied outside air inlet hoods.
- Seal between the wall and the pipe with silicone to prevent moisture penetration and air leaks.
- Seal between the outside air inlet hoods and the house with silicone to prevent air infiltration.

**CAUTION! Risk of Fire or Asphyxiation! DO NOT** draw outside combustion air from wall, floor or ceiling cavity, or enclosed spaces such as an attic or garage.

- **DO NOT** place outside air inlet hood close to exhaust vents or chimneys. Fumes or odor could be drawn into the room through the fireplace.
- **Locate** outside air inlet hood to prevent blockage from leaves, snow/ice, or other debris. Blockages could cause combustion air starvation.

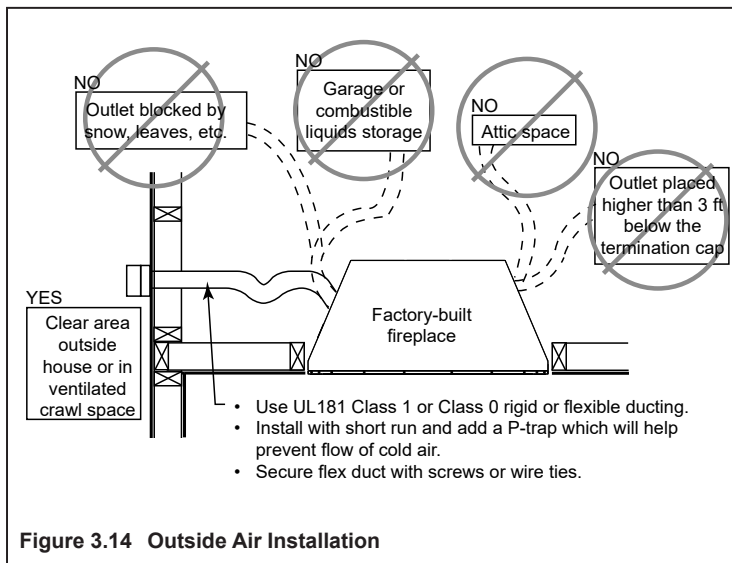


Figure 3.14 Outside Air Installation

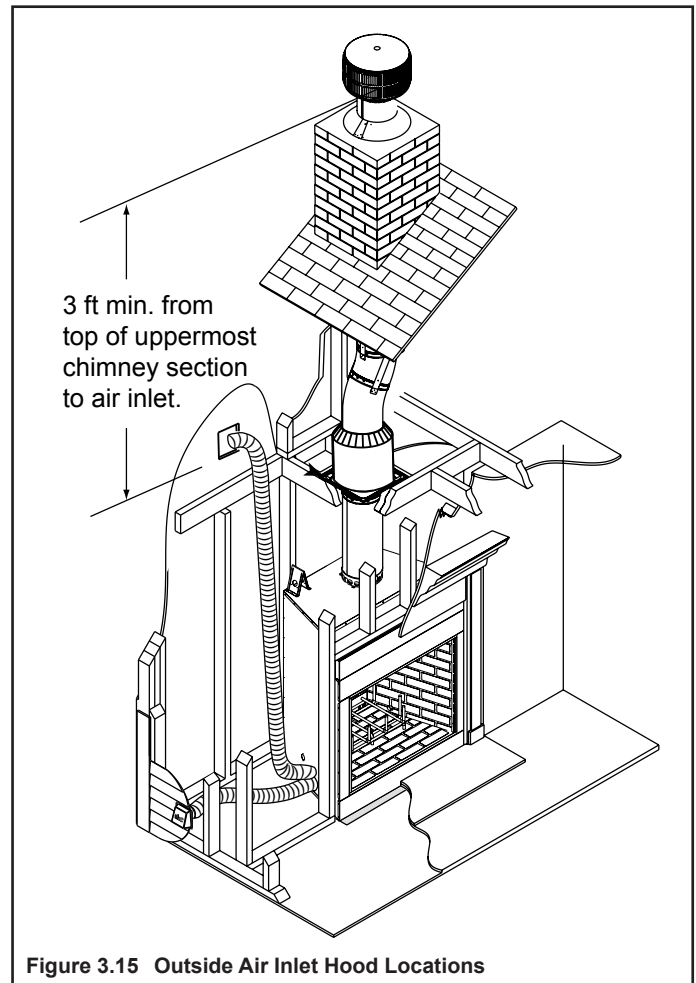


Figure 3.15 Outside Air Inlet Hood Locations

**CAUTION! Risk of Cuts/Abrasions.** Wear protective gloves and safety glasses during installation. Sheet metal edges are sharp.

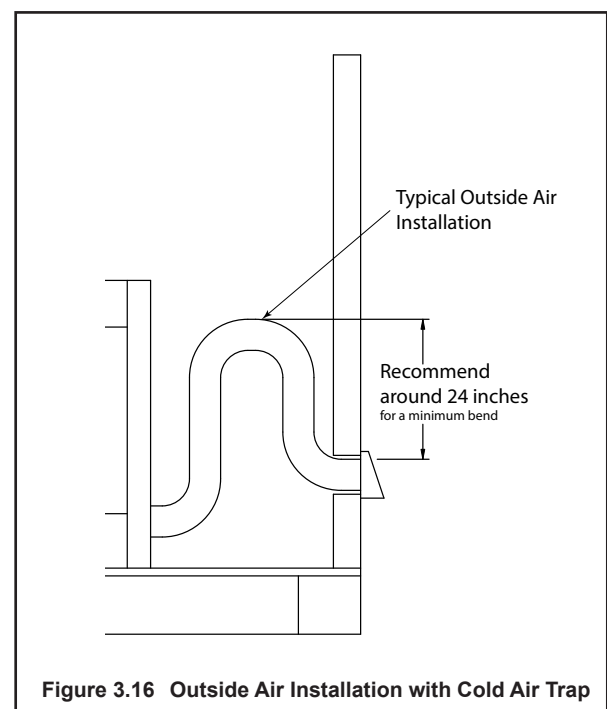


Figure 3.16 Outside Air Installation with Cold Air Trap

- Locate outside air kit on one side of fireplace.

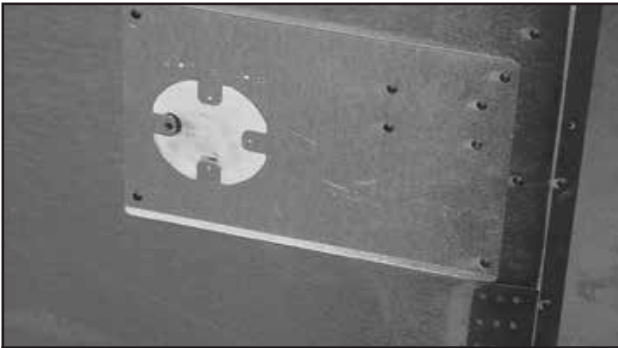


Figure 3.17 Close-up of Outside Air Kit

- Open door (raise handle up to open, refer to Figure 2.1 for location of handles).
- Bend the four tabs out at 90 degrees. See Figure 7.20.



Figure 3.18 Bending Tabs on Outside Air Kit Collar

- Position ring over tabs and screw in place. See Figure 3.19.
- Repeat for other side.

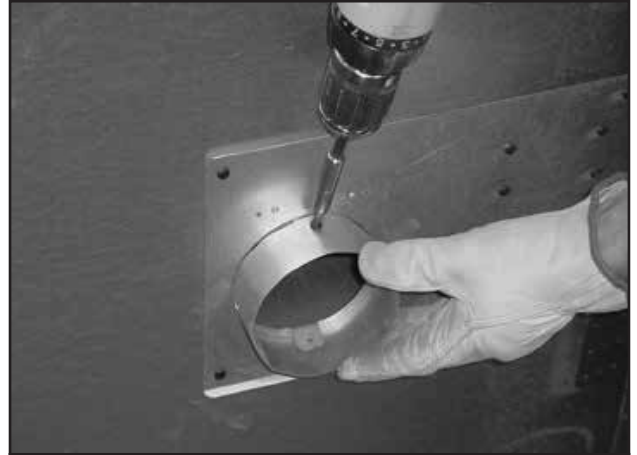


Figure 3.19 Attaching Outside Air Kit Collar

- Check the operation by moving the outside air control handles up and down.
- Mark and cut out a 4-1/2 in. (114 mm) hole in the building side for air entry.
- Install the outside air inlet hoods in the sidewall of the structure, flush with the building's exterior.
- Assemble the flexible duct (not supplied) between the collar and the outside air inlet hood. Secure into position with the supplied wire ties.
- Check for light leaks with a flashlight and seal with duct tape and/or insulation.

# 4 Chimney and Termination Requirements

## A. Chimney Requirements

Vertical distances are measured from the base of the fireplace as shown in Figure 4.1.

**Table 4.1 Chimney Requirements**

Minimum overall straight height	20 ft	6.1 m
Minimum height with single offset/return	20.5 ft	6.25 m
Double offset/return minimum height	24 ft	7.32 m
Maximum height	90 ft	27.43 m
Maximum chimney length between an offset and return	20 ft	6.1 m
Maximum distance between chimney stabilizers	35 ft	10.67 m
Maximum unsupported chimney length between the offset and return	6 ft	1.83 m
Maximum unsupported chimney height above the fireplace	35 ft	10.67 m
Maximum unsupported chimney above roof	6 ft	1.83 m

**NOTICE:** A maximum of two pairs of offsets and returns may be used.

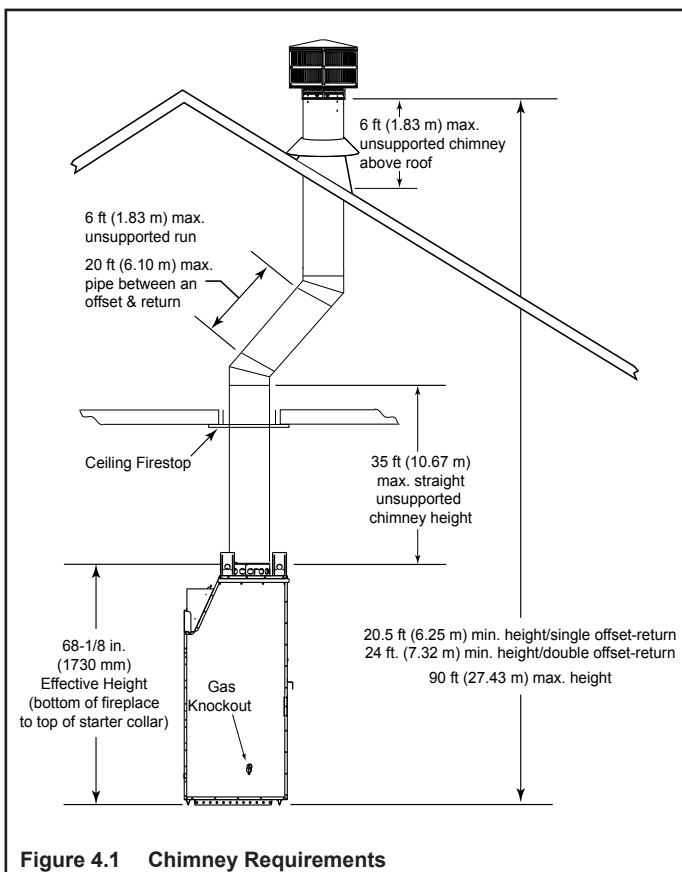
**WARNING! Risk of Fire!** You must maintain 2 in. (51 mm) air space clearance to insulation and other combustible materials around the chimney system. Failure to do so may cause overheating and fire.

**NOTICE:** You must provide support for the pipe during construction and check to be sure inadvertent loading has not dislodged the chimney section from the fireplace or at any chimney joint.

**Table 4.2 Chimney Component Dimensions**

HEIGHT OF CHIMNEY COMPONENTS		in.	mm
<b>Chimney Stabilizer</b>			
SL11		4-3/4	121
<b>Offsets/Returns</b>			
SL1130		18	457
<b>Chimney Sections*</b>			
SL1106		4-3/4	121
SL1112		10-3/4	273
SL1118		16-3/4	425
SL1136		34-3/4	883
SL1148		46-3/4	1187

\* Dimensions reflect effective height.



**Figure 4.1 Chimney Requirements**

## B. Offsets/Returns

- Use an offset/return to bypass overhead obstructions.
- An offset and return can be used as a single entity or separated by chimney section(s).

**WARNING! Risk of Fire! DO NOT use offset/returns greater than 30°. Chimney draft will be restricted and could cause overheating and fire. Secure offsets with screws ( not to exceed 1/2" / 13 mm in length) Secure returns with strapping. Straight chimney sections may be secured with screws. Keep chimney sections from separating or twisting.**

- Measure the shift needed to avoid the overhead obstruction. Refer to dimension A in Figure 4.2.
- Find the appropriate A dimension listed in Table 4.3. The B dimension coinciding with the A dimension measurement in Table 4.3 represents the required vertical clearance needed to complete the offset/return.
- Read across the chart to find the number of chimney sections/model numbers needed between the offset and return.

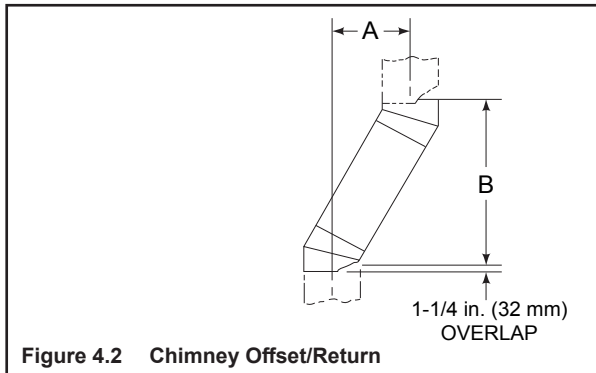


Figure 4.2 Chimney Offset/Return

### Example:

Your "A" dimension from Figure 4.2 is 14-1/2 in. (368 mm). Using Table 4.3 the dimension closest to, but not less than 14 1/2 in. (368 mm) is 15-3/4 in. (400 mm) using a 30° offset/return.

You determined from the table that you would need 36-5/8 in. (930 mm) (Dimension "B") between the offset and return.

The chimney component that best fits your application is two SL1112s.

Table 4.3 Offset Dimensions

A		B		SL1106	SL1112	SL1118	SL1136	SL1148
in.	mm	in.	mm					
4 7/8	124	17 7/8	454	-	-	-	-	-
7 1/4	184	22	559	1	-	-	-	-
9 3/4	248	26 1/8	664	2	-	-	-	-
10 1/4	260	27 1/4	692	-	1	-	-	-
12 3/4	324	31 3/8	797	1	1	-	-	-
13 1/4	337	32 3/8	822	-	-	1	-	-
15 3/4	400	36 5/8	930	-	2	-	-	-
18 1/8	460	40 3/4	1035	1	2	-	-	-
18 3/4	476	41 3/4	1060	-	1	1	-	-
21 3/4	552	47	1194	-	-	2	-	-
22 1/4	565	48	1219	-	-	-	1	-
24 3/4	629	52 1/8	1324	1	-	-	1	-
27 3/4	705	57 3/8	1457	-	1	-	1	-
28 1/4	718	58 3/8	1483	-	-	-	-	1
30 3/4	781	62 1/2	1588	1	-	-	-	1
33 3/4	857	67 3/4	1721	-	1	-	-	1
36 3/4	933	73	1854	-	-	1	-	1
39 3/4	1010	78 1/8	1984	-	-	-	2	-
41 1/8	1045	82 3/8	2092	1	-	-	2	-
45 3/4	1162	88 1/2	2248	-	-	-	1	1
48 1/8	1222	92 3/4	2356	1	-	-	1	1
51 3/4	1314	98 7/8	2511	-	-	-	-	2

Proper assembly of air cooled chimney parts results in an overlap of chimney joints of 1-1/4 in. (32 mm). Effective length is built into this table.

## C. Termination Requirements

- Install a cap approved and listed for this fireplace system.
- Locate cap where it will not become plugged by snow or other materials.
- Locate cap away from trees or other structures.
- The bottom of the termination cap must be at least 3 ft (.91 m) above the roof AND at least 2 ft (.61 m) above any portion of roof within 10 ft (3.05 m).
- The distance required between caps is shown below.

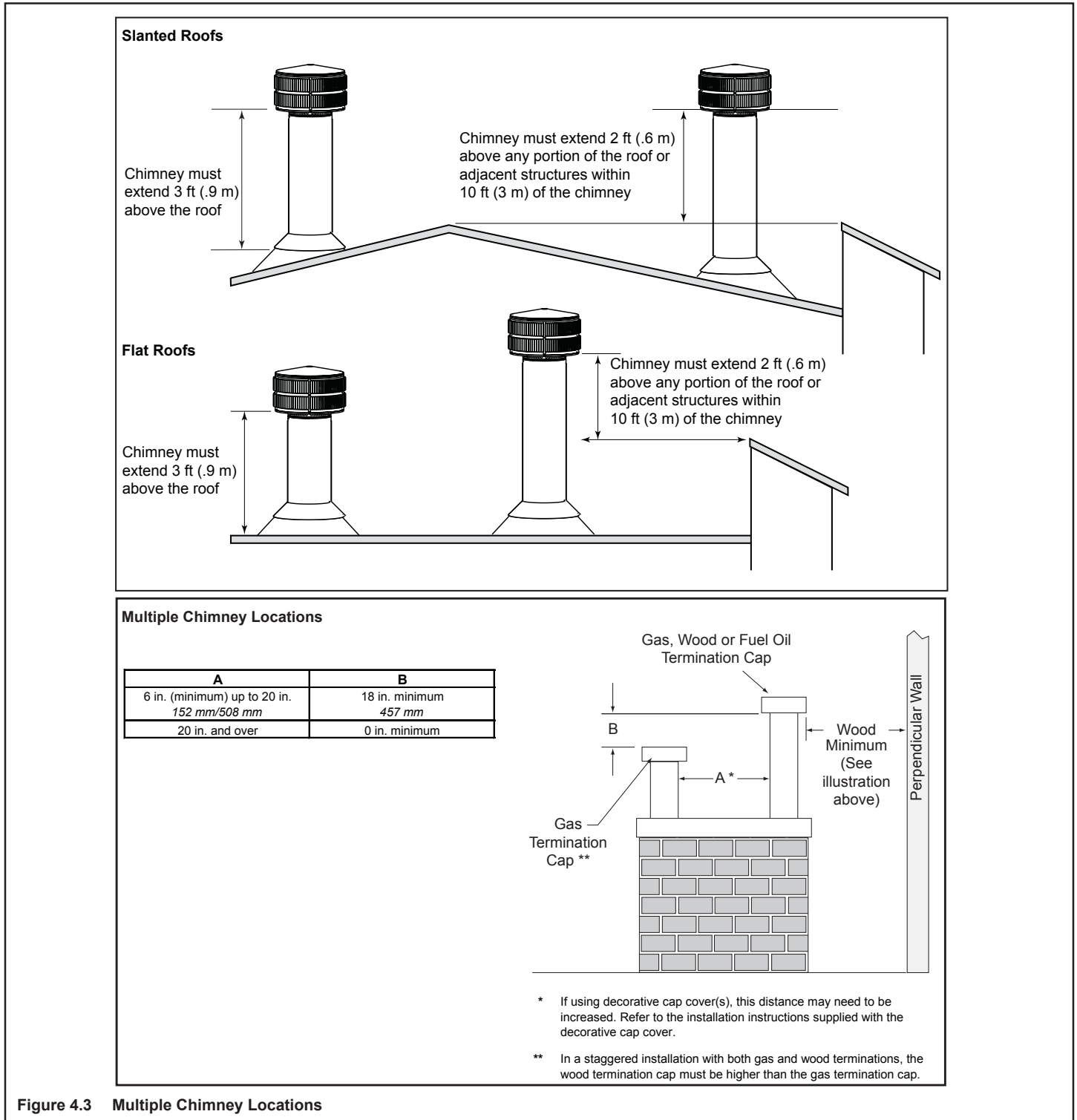


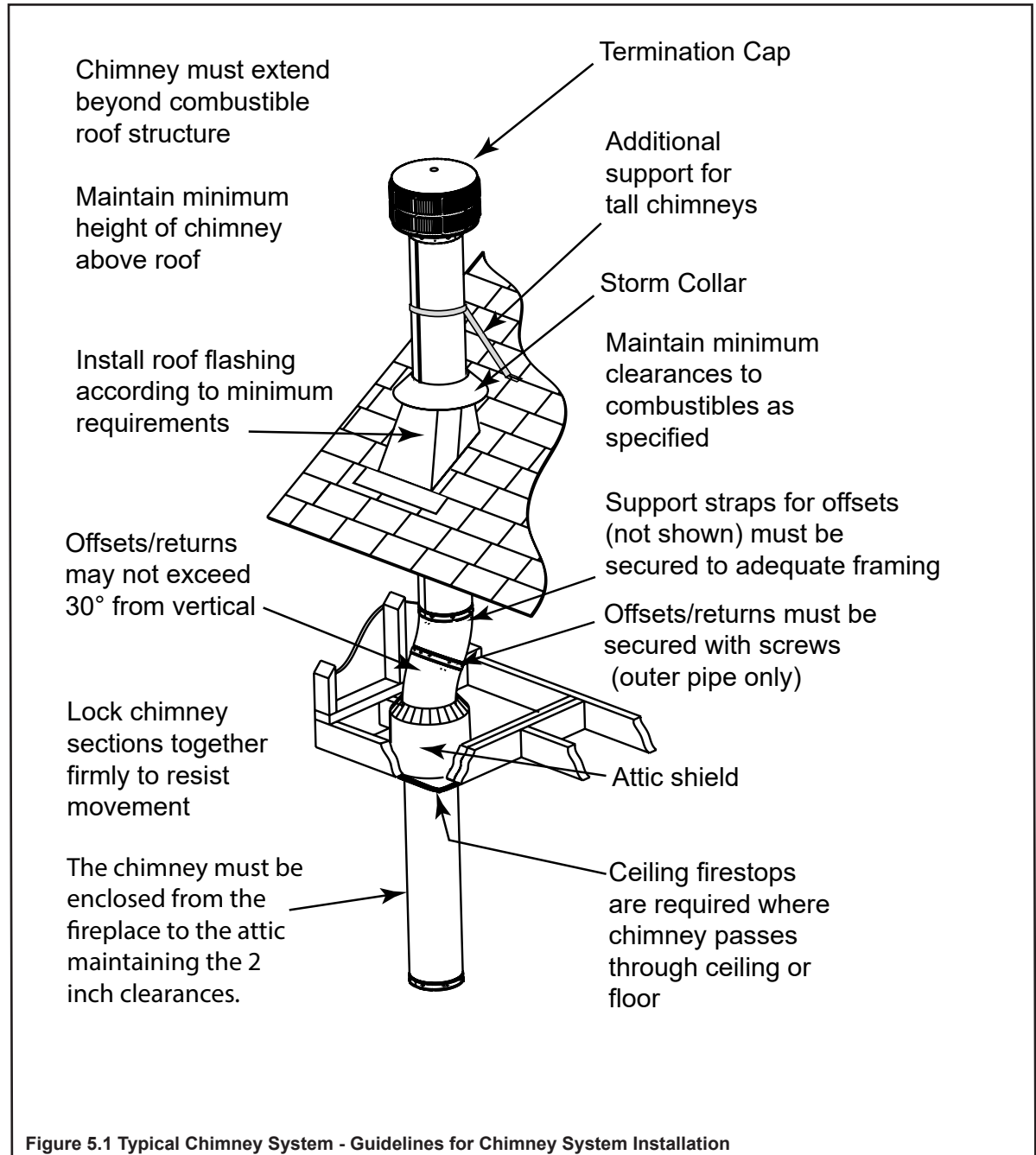
Figure 4.3 Multiple Chimney Locations

# 5 Chimney Installation

## A. Typical Chimney System

**NOTICE:** Chimney performance may vary.

- Trees, buildings, roof lines and wind conditions affect performance.
- Chimney height may need adjustment if smoking or overdraft occurs.



## B. Assemble Chimney Sections

Use only those components described in this manual.

Substitute or damaged chimney components could impair safe operation and cause overheating and fire.

Attach either a straight chimney section or an offset to the top of the fireplace (depending on your installation requirement). Chimney sections are locked together by pushing downward until the top section meets the stop bead on the lower section.

The inner flue is placed to the inside of the flue section below it. The outer casing is placed outside the outer casing of the chimney section below it. See Figure 5.2.

**NOTICE:** *Chimney sections cannot be disassembled once locked together. Plan ahead!*

- Lock chimney sections and/or offsets/returns together by pushing downward until the top section meets the stop bead on the lower section.
- Pull on the top section to make sure it is fully engaged and will not separate.
- You may use #6 or #8 sheet metal screws no longer than 1/2 in. (13 mm) to fasten chimney sections together. Do NOT penetrate inner flue.

**WARNING! Risk of Fire!** *You MUST use screws to fasten offset/returns to chimney sections to keep the chimney parts from twisting. Failure to do so could cause fire.*

- Fasten offset/returns to chimney sections. Do NOT penetrate inner flue.
- Secure chimney returns with hanger straps provided; fasten to studs or joists.
- Vertical straight runs of chimney must be supported every 35 ft (10.7 m).

**WARNING! Risk of Pinch Point!** *Failure to secure elevated flue with methods not able to bear the full weight of the pipe could result in serious injury.*

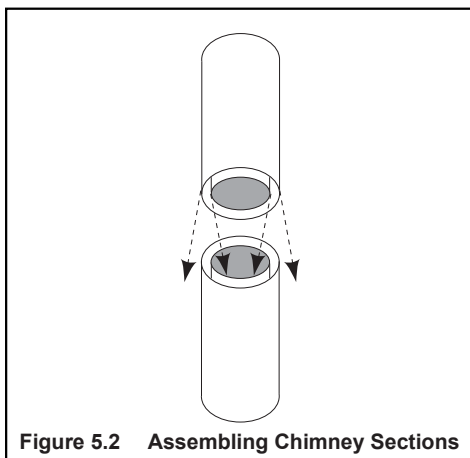


Figure 5.2 Assembling Chimney Sections

**WARNING! Risk of Fire! DO NOT** *install substitute or damaged chimney components.*

## C. Install Chimney Air Kit (optional)

- Follow instructions included with accessory.

## D. Secure Offset/Return

When offsets and returns are joined to straight pipe sections, they must be locked into position with the screws (outer only). To prevent gravity from pulling the chimney sections apart, the returns and the chimney stabilizers have hanger straps for securing these parts to joists or rafters. See Figure 5.3.

- \* Use # 6 or # 8 sheet metal screw, or larger, no longer than 1/2 in. (13 mm).

### **WARNING! Risk of Fire!**

- Secure offsets with screws (not to exceed 1/2 in./13 mm in length).
- Secure returns with strapping.
- Straight chimney sections may be secured with screw (not to exceed 1/2 in./13 mm in length) at the joints.
- Keep chimney sections from separating or twisting.

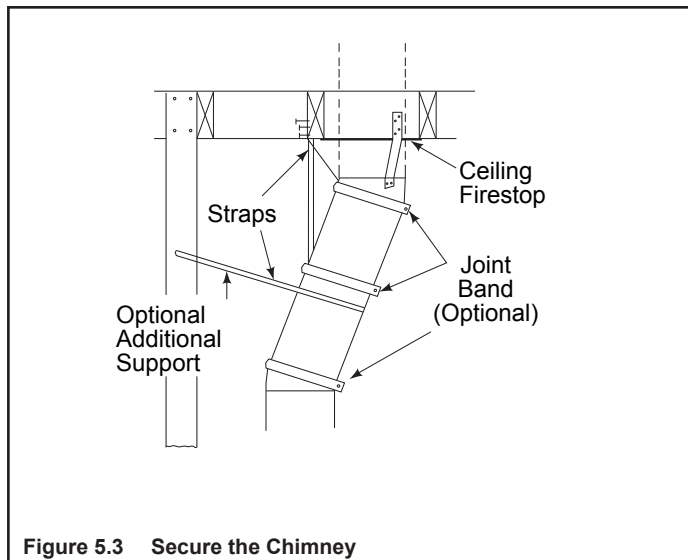


Figure 5.3 Secure the Chimney

## E. Install Ceiling Firestops

**CAUTION! Risk of Fire!** Ceiling firestops must be used whenever the chimney penetrates a ceiling/floor.

- Chase construction requires ceiling firestops at each floor or every 10 ft. (3.05 m) of clear space.
- The ceiling firestop slows spread of fire and reduces cold air infiltration.
- Install a ceiling firestop whenever chimney penetrates ceiling/floor.
- Mark and cut an opening in ceiling as shown in Figure 5.4.
- Frame the opening with the same size lumber used in the ceiling joists.
- Nail the ceiling firestop to the bottom of the ceiling joists when there is a room above.
- Use an attic insulation shield if the ceiling is insulated. The ceiling firestop may then be attached above or below the joists.

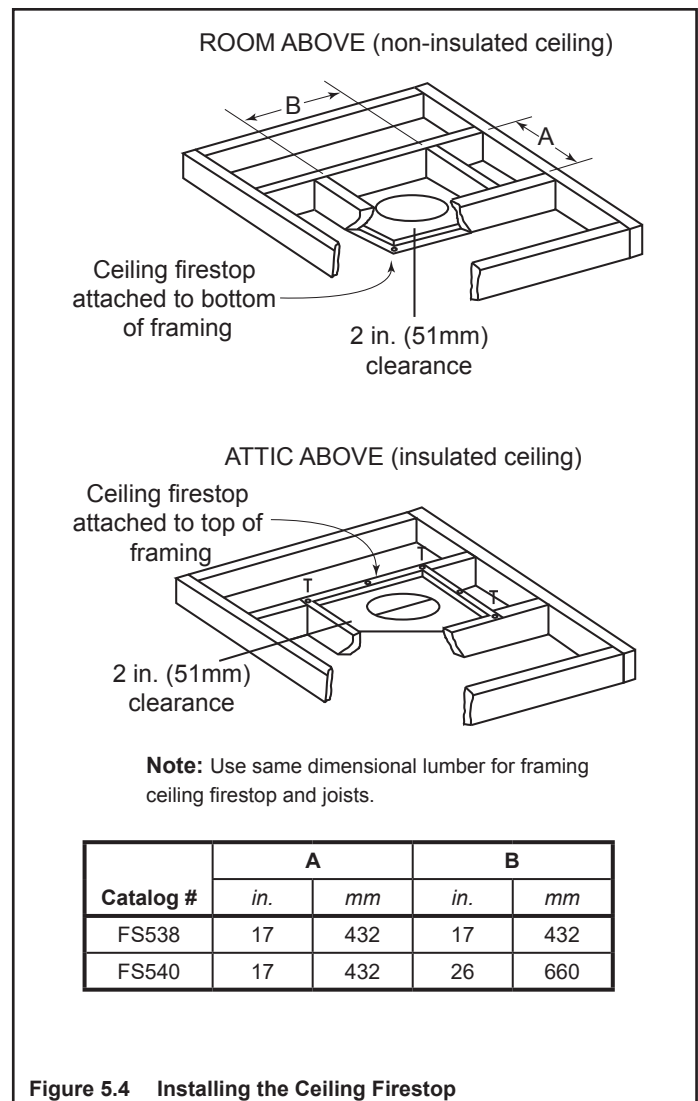


Figure 5.4 Installing the Ceiling Firestop

**WARNING! Risk of Fire! DO NOT seal area between firestop opening and chimney pipe except where they enter the attic or leave the warm air envelope of the home (use 600° F sealant).**

## F. Install Attic Insulation Shield

**WARNING! Risk of Fire!** You **MUST** install an attic insulation shield when there is any possibility of insulation or other combustible material coming into contact with the chimney.

- **DO NOT** pack insulation between the chimney and the attic insulation shield.
- Failure to keep insulation and other materials away from chimney pipe could cause fire.
- **DO NOT** offset chimney inside insulation shield.
- Combustible material may come in contact with the attic insulation shield as long as the required clearances are maintained to the chimney pipe.

Installation of a ceiling firestop is required:

- Refer to Figures 5.5, 5.6, 5.7.
- If the attic shield is pre-rolled continue. If it is a flat part, try and roll it up to aid in wrapping it around the chimney.
- Pre-bend all the tabs in at the top to 45°.
- Wrap the shield (around the chimney if already installed) until you have an overlap and the three holes on each side match up (large holes on top).
- Insert three screws into the matching holes to form a tube starting at the bottom.
- Bend the tabs on the bottom of the tube inward to 90° to maintain chimney air space.
- Rest the insulation shield on the ceiling firestop below.
- Tape off any opening around the bottom.

If you wish to make a custom shield or barrier, follow these guidelines:

- Metal is preferred, although any material stiff enough to hold back the insulation can be used.

**WARNING! Risk of Fire!** Use of cardboard or other materials that can deflect under humidity or other environmental conditions is not recommended.

- The shield or barrier must be tall enough to extend above the insulation and prevent blown-in insulation from spilling into the cavity and accommodate the amount of insulation as required by the National Building Code.
- Maintain specified air spaces around chimney.
- Check instructions and local codes for further details.

### Double-check the Chimney Assembly

Continue assembling the chimney sections up through the ceiling firestops as needed. While doing so, be aware of the height and unsupported chimney length limitations given under Section 5.

Check each section by pulling up slightly from the top to ensure proper engagement before installing the succeeding sections. If they have been connected correctly, they will not disengage when tested.

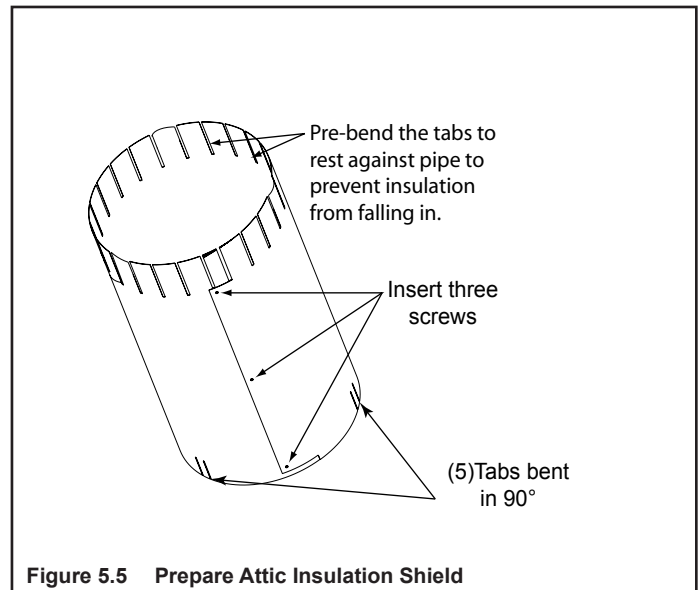


Figure 5.5 Prepare Attic Insulation Shield

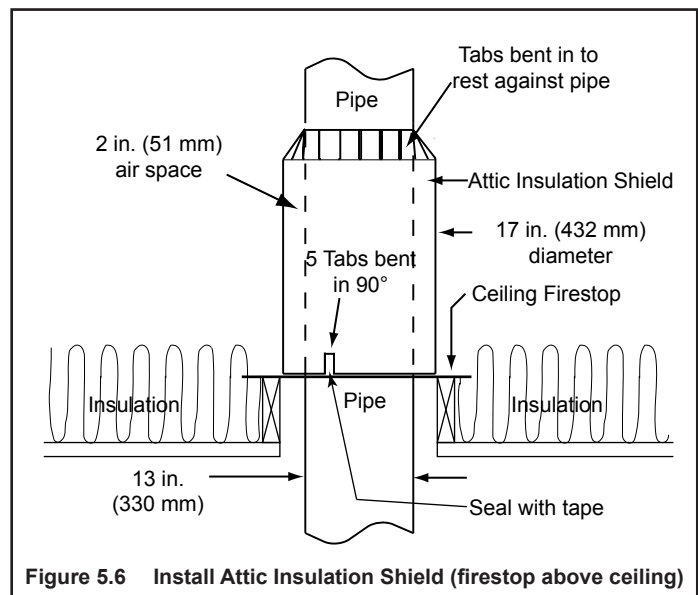


Figure 5.6 Install Attic Insulation Shield (firestop above ceiling)

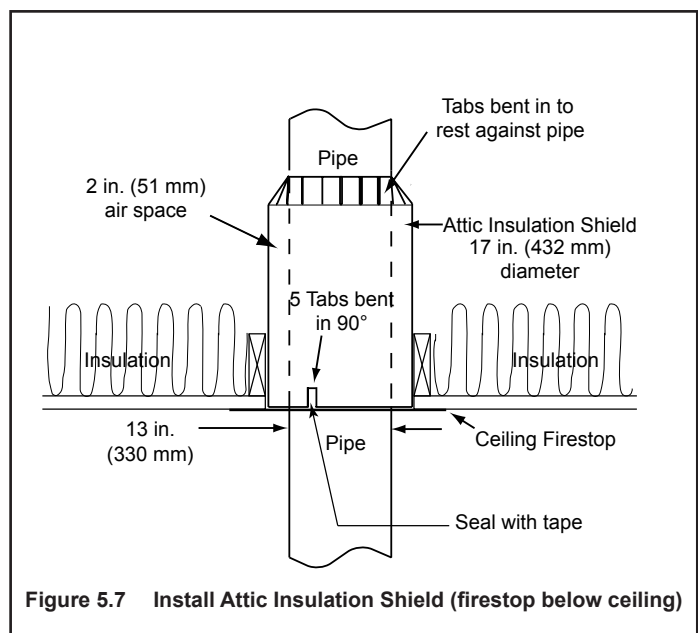


Figure 5.7 Install Attic Insulation Shield (firestop below ceiling)

## G. Roof Penetration

- Refer to Figure 5.8.
- Plumb from roof to center of chimney.
- Drive a nail up through roof to mark center of pipe.
- Measure to either side of nail and mark the 17 in. x 17 in. (432 mm x 432 mm) opening required.
- Measure opening on the horizontal; actual length may be larger depending on roof pitch.
- Cut out and frame opening.

### Install Flashing

- Assemble chimney so it passes through the framed opening.
- Slip the flashing over the chimney.

**NOTICE:** Roofing shingles must be below the flashing plate on the lower side of a sloped roof and over the flashing plate on the sides and top.

- Nail the flashing to the roof. Keep gaps between the flashing plate and the roof to a minimum.
- Caulk the flashing plate and roof junction as well as the vertical seam on the flashing. All nail heads must be caulked with a roofing sealant.
- Caulk the overlap seam of any exposed pipe sections that are located above the roof line to prevent leaks.

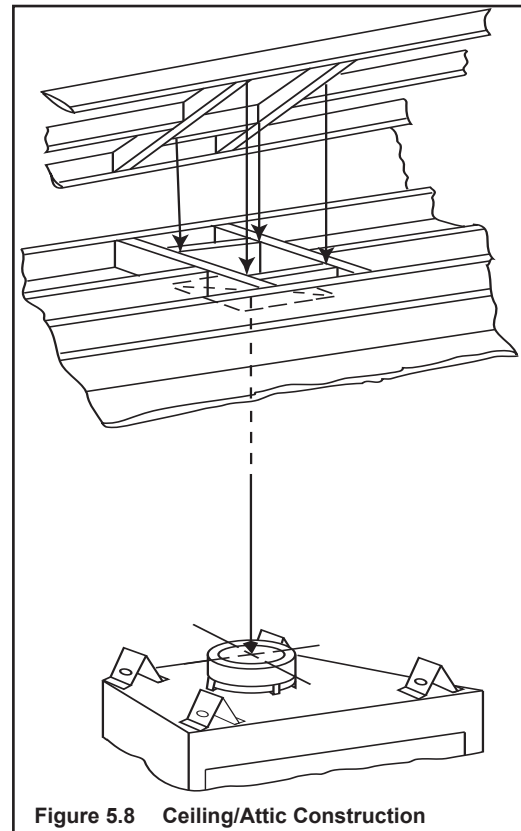


Figure 5.8 Ceiling/Attic Construction

## H. Install Chase/Chase Top

- You **MUST** use a chase top in a chase installation. Chase tops may be field constructed.
- Include a turndown and drip edge to prevent water from seeping into the chase.
- Include a 2 in. (51 mm) soldered, welded or spun collar around pipe opening to keep water out.
- Provide a 1/8 in. (3 mm) gap around the flue pipe.
- Slope the chase top downward away from the opening.

**WARNING! Risk of Fire! DO NOT** caulk the pipe to the chase top collar.

- Caulk all seams to prevent leaks.

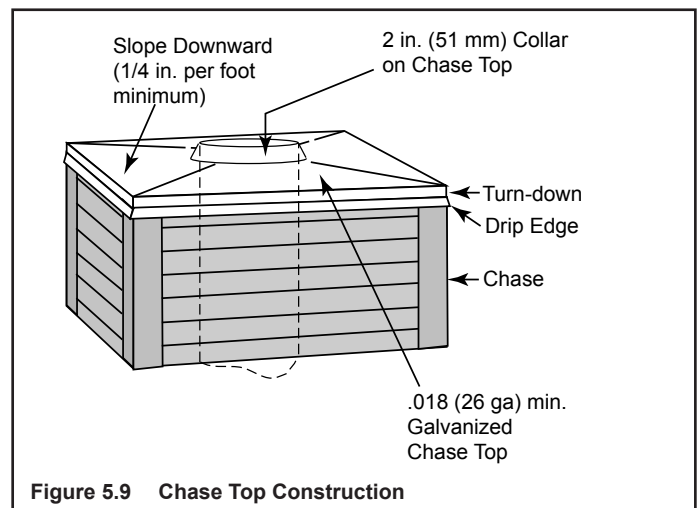


Figure 5.9 Chase Top Construction

## I. Termination Cap Requirements

- Install a cap approved and listed for this fireplace system.
- Locate cap where it will not become plugged by snow or other materials.
- Locate cap away from trees or other structures.
- The bottom of the termination cap must be at least 3 ft (.91 m) above the roof AND at least 2 ft (.61 m) above any portion of roof within 10 ft (3.05 m).

## J. Install Termination Cap

Install the chimney sections up through the chase enclosure.

- Caulk the overlap seam of any exposed pipe sections that are located above the roof line to prevent leaks.
- Refer to termination cap instructions.

**WARNING! Risk of Fire!** The minimum overlap of cap to pipe (as shown in the following illustrations) **MUST** be met or chimney may separate from cap. Separation allows sparks, heat and embers to escape.

**NOTICE:** Paint the termination cap with a rust-resistant paint to protect against the effects of corrosion on those parts exposed to the weather.

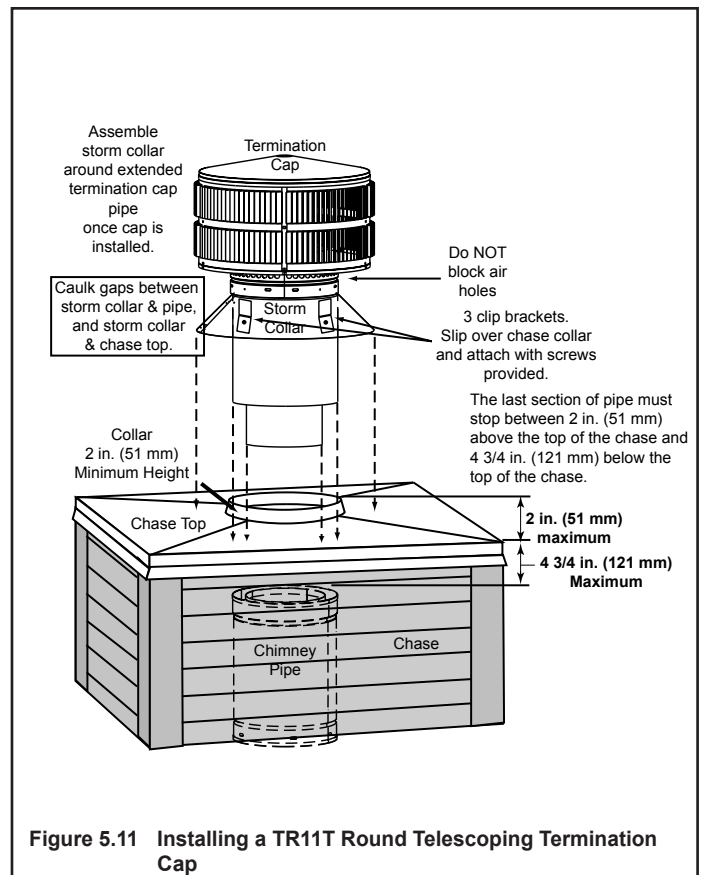


Figure 5.11 Installing a TR11T Round Telescoping Termination Cap

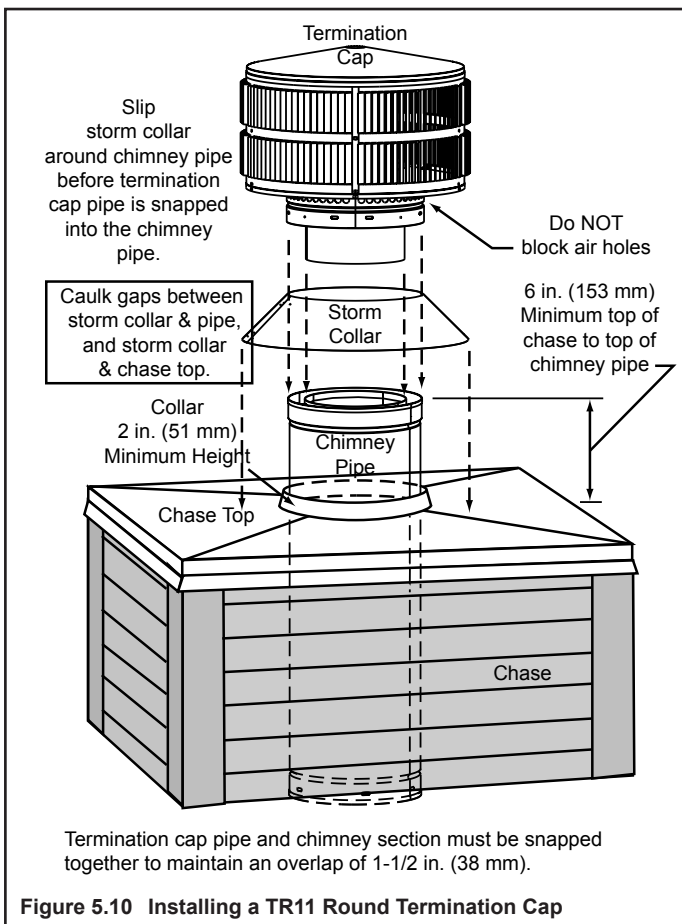


Figure 5.10 Installing a TR11 Round Termination Cap

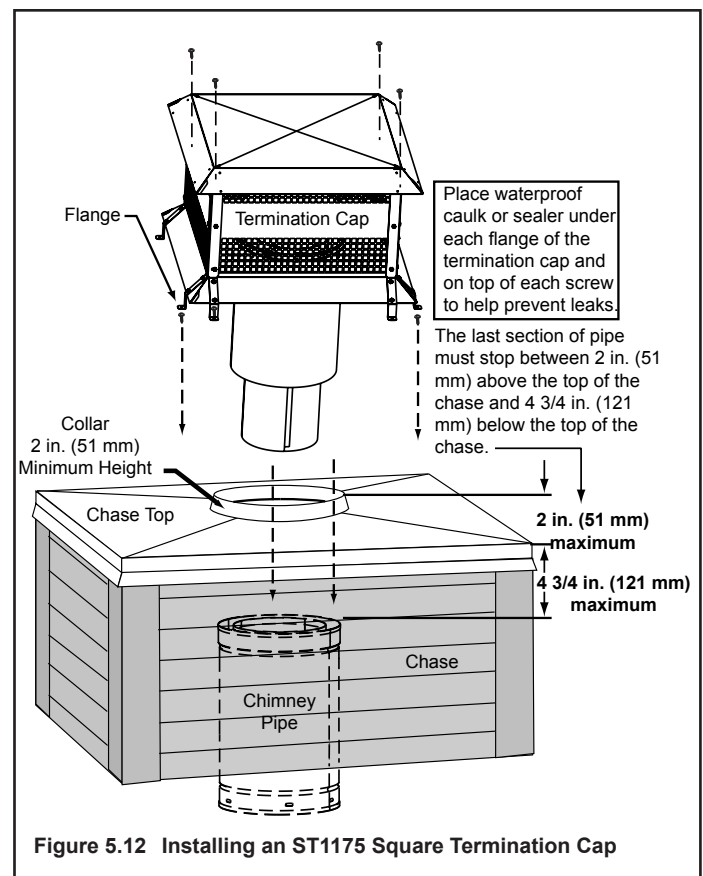
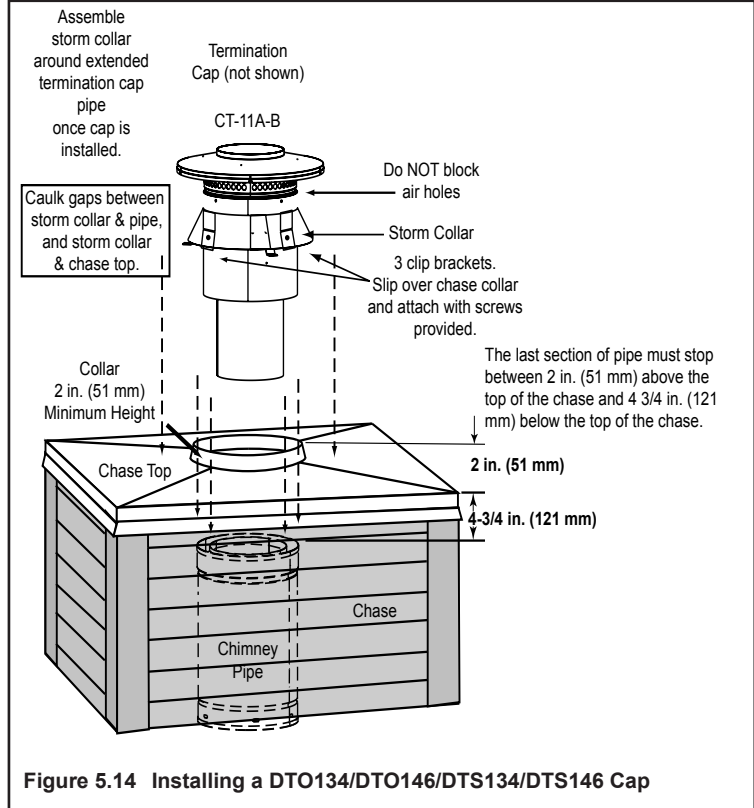
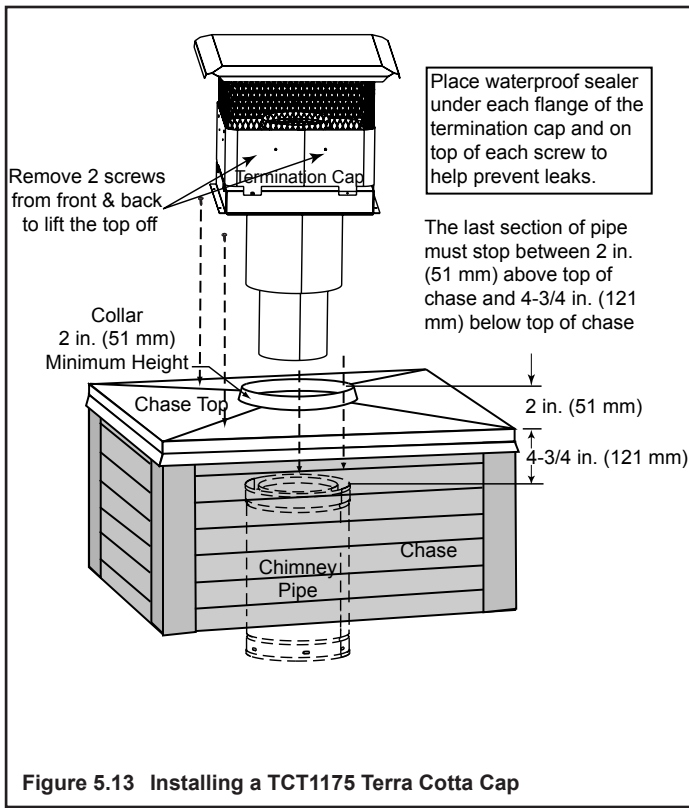


Figure 5.12 Installing an ST1175 Square Termination Cap



# 6 Shrouds

**WARNING! Risk of Fire! Shrouds must be constructed as specified. Improper construction may overheat chase top.**

Shrouds may be field constructed where permitted by regional building codes.

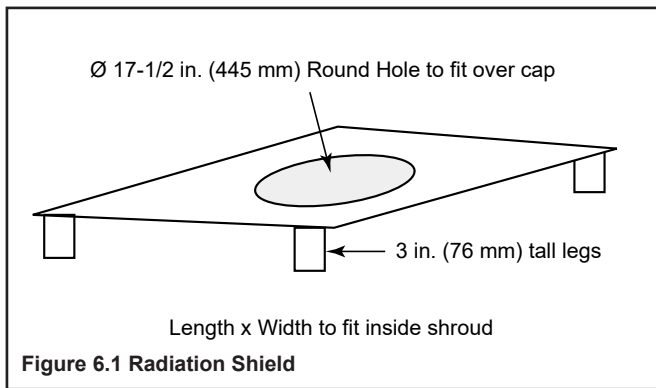
**NOTICE:** Some regional codes require an agency-Listed shroud. Consult your local building officials.

The shrouds must be constructed from minimum .018 in. (26 ga) thick aluminized steel.

Some shrouds require a radiation shield. Use where specified.

## A. Radiation Shield

Radiation shield must be constructed of minimum 26 ga thick sheet metal.

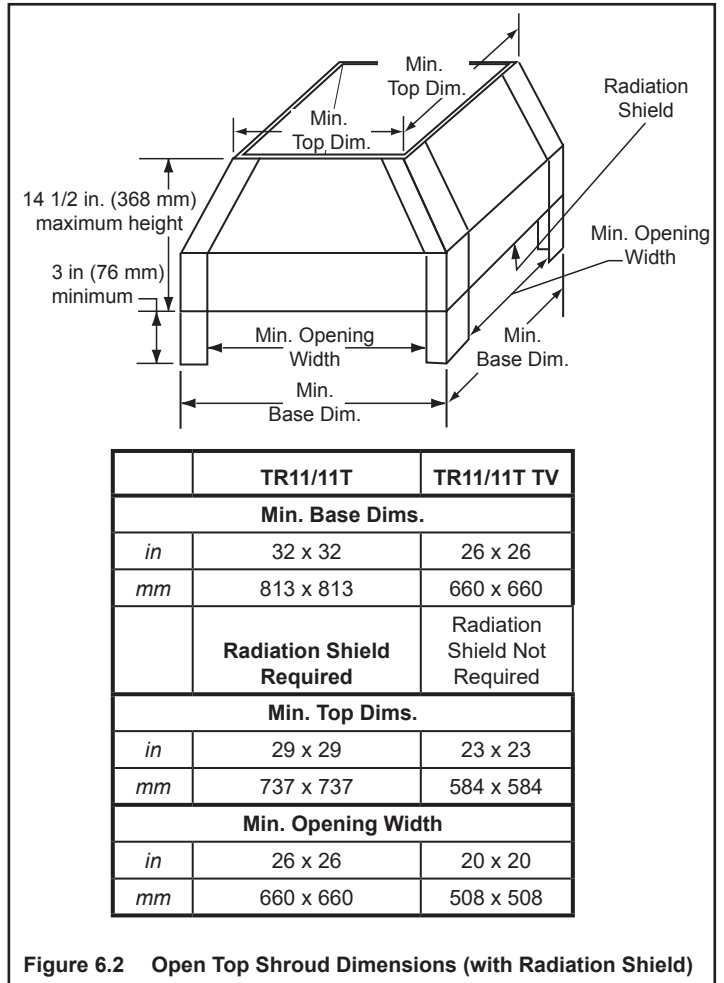


## B. Field Constructed Shrouds

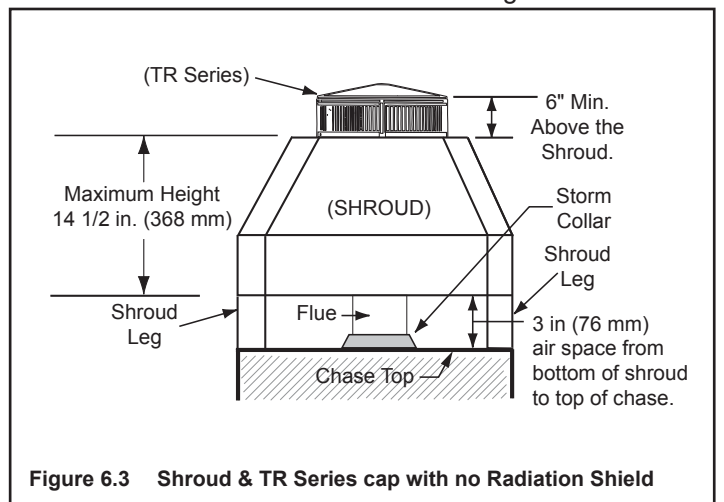
The following field constructed shroud designs have been tested for HHT fireplace systems and termination caps.

## 1. Open Top Shroud

TR11/TR11T TV (top vented) caps do not require radiation shield.

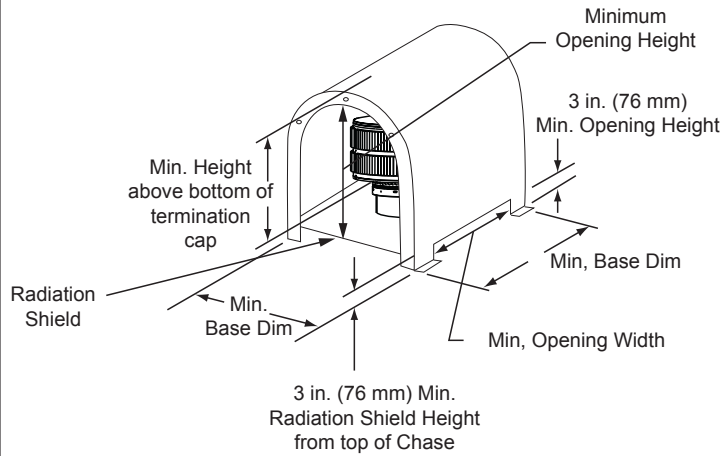


TR11 and TR11T caps require radiation shield unless installed partially above the shroud. The TR cap must be raised to the minimum dimensions (or greater) above the shroud or install a TR-TVK. Refer to Figure 6.3.



## 2. Mailbox Style Shroud

Radiation shield required

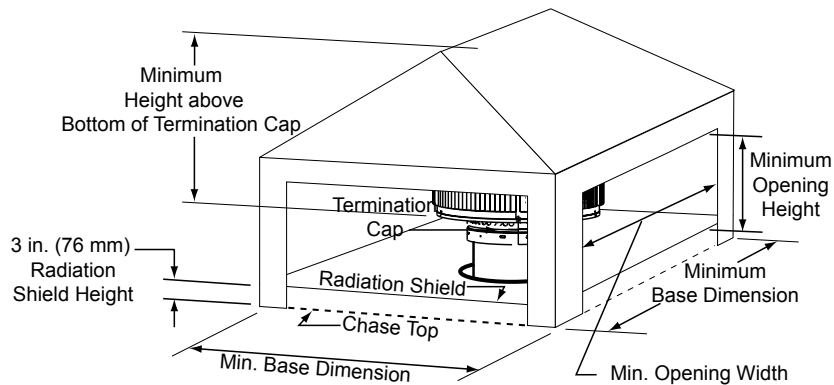


	TR11/11T	TR11/11T TV
<b>Min. Base Dims.</b>		
<i>in</i>	34 x 34	28 x 30
<i>mm</i>	864 x 864	711 x 762
<b>Min. Height Above Bottom of Termination Cap</b>		
<i>in</i>	28-1/4	27-1/2
<i>mm</i>	718	698
<b>Min. Opening Width</b>		
<i>in</i>	28	22
<i>mm</i>	711	559
<b>Min. Opening Height</b>		
<i>in</i>	18-1/4	17-1/2
<i>mm</i>	464	445

Figure 6.4 Mailbox Style Shroud Dimensions

## 3. Roofed Style Shroud

Radiation shield required



TR11/11T TR11/11T TV	
<b>Min. Base Dims.</b>	
<i>in</i>	34 x 34
<i>mm</i>	864 x 864
<b>Min. Height Above Bottom of Termination Cap</b>	
<i>in</i>	23
<i>mm</i>	584
<b>Min. Opening Width</b>	
<i>in</i>	28
<i>mm</i>	711
<b>Min. Opening Height</b>	
<i>in</i>	12
<i>mm</i>	305

Figure 6.5 Roofed Style Shroud Dimensions

# 7 Finishing

## A. Finishing Material

Refer to Sections 1.B. and Sections 1.C. for combustible/non-combustible materials. Refer to Figure 7.1 for non-combustible zone.

**WARNING! Risk of Fire! You must maintain clearances.**

- Do NOT cover metal fireplace front with combustible materials.
- Install combustible materials only to specified clearances on top front and side edges.
- Complete framing and apply drywall over framing.
- Only non-combustible materials may be used to cover the metal fireplace front.
- A bead of 300-deg F minimum non-combustible sealant must be used to close off any gaps at the top and sides between the fireplace and drywall to prevent cold air leaks.

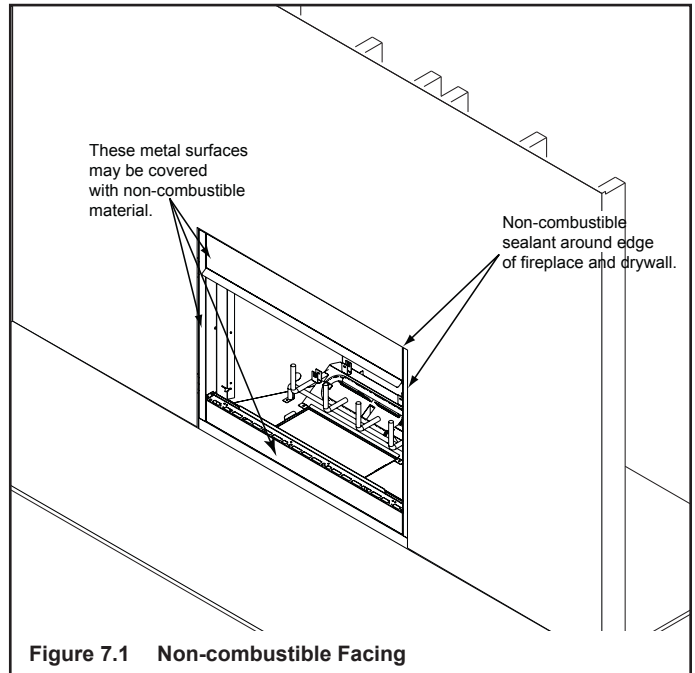


Figure 7.1 Non-combustible Facing

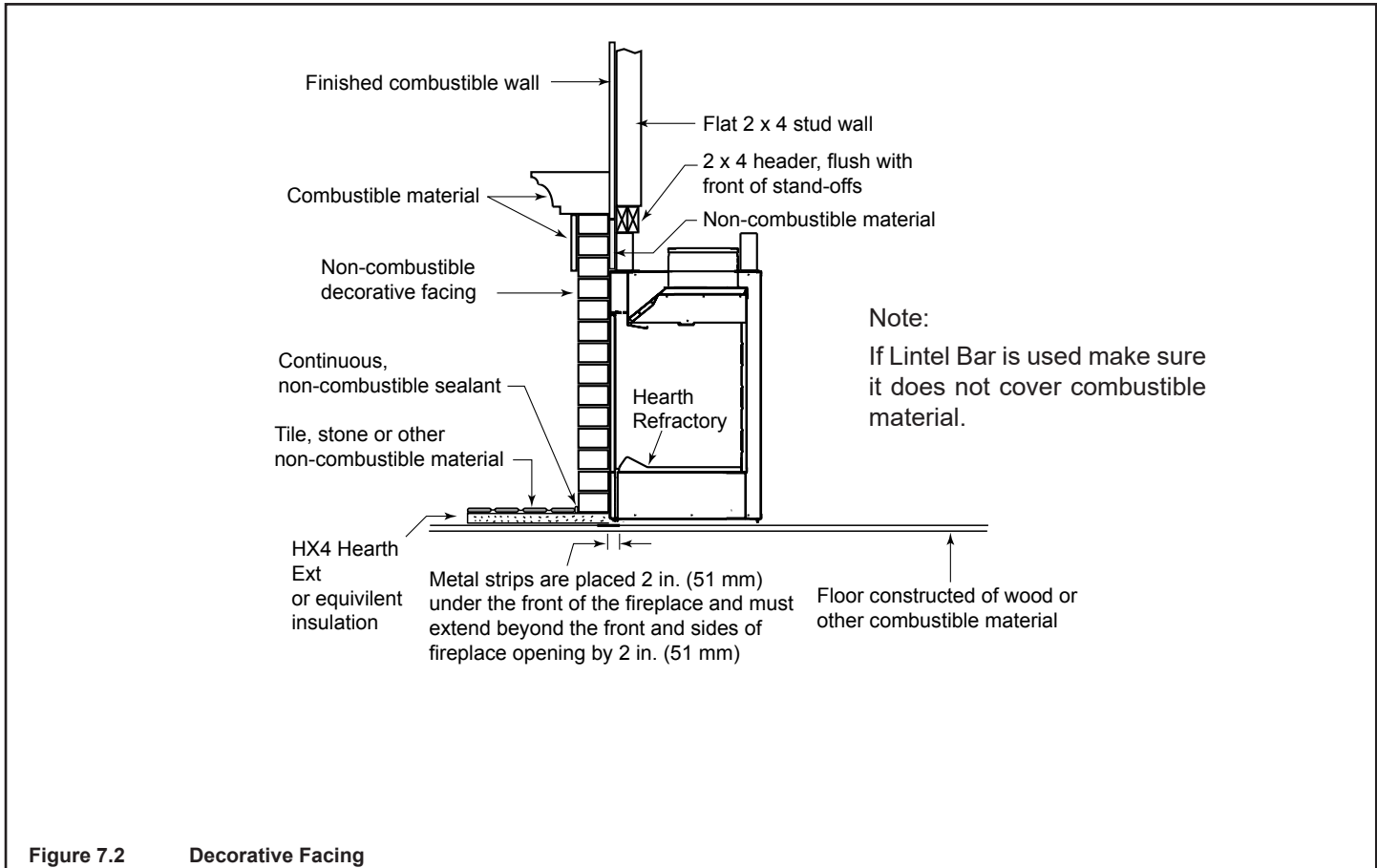


Figure 7.2 Decorative Facing

## B. Hearth Extension, Building and Finishing

**WARNING! Risk of Fire!** High temperatures, sparks, embers or other burning material falling from the fireplace may ignite flooring or concealed combustible surfaces.

- Protective metal hearth strips **MUST** be installed.
- Hearth extensions **MUST** be installed exactly as specified.

A hearth extension must be installed with all fireplaces to protect the combustible floor in front of the fireplace from both radiant heat and sparks.

- You **MUST** use a hearth extension with this fireplace.
- Refer to Figure 7.3 for minimum dimensions.
- This fireplace has been tested and approved for use with a hearth extension insulated to a minimum R value of 1.03.
- The hearth extension material **MUST** be covered with tile, stone or other non-combustible material.
- Manufactured hearth materials will usually have a published **R value** (resistance to heat) or **k value** (conductivity of heat). Refer to the formula in Table 7.1 to convert a k value to an R value,
- Refer to Table 7.2 for hearth extension insulation alternatives.

**WARNING! Risk of Fire!**

Hearth & Home Technologies is not responsible for discoloration, cracking or other material failures of finishing materials due to heat exposure or smoke.

- Choose finishing materials carefully.

**WARNING! Risk of Fire!**

- Maintain clearances.
- Use only non-combustible material below standoffs, material such as cement board is acceptable.
- Framing or finishing material used on the front of the fireplace closer than the minimums listed, must be constructed entirely of non-combustible materials (i.e., steel studs, concrete board, etc.).

**WARNING! Risk of Fire!**

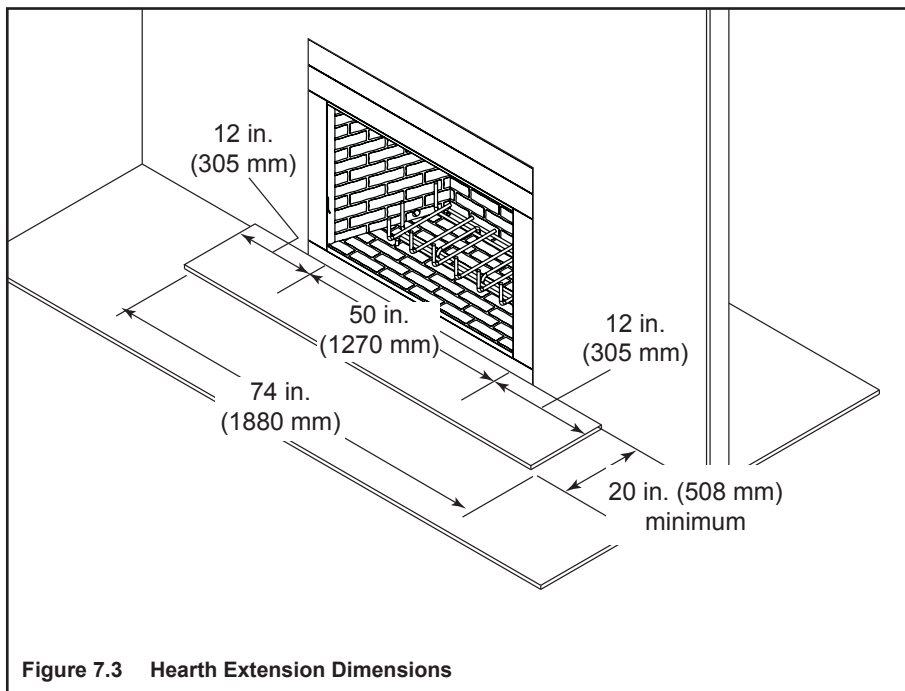
Hearth extensions are to be installed only as illustrated to prevent high temperatures from occurring on concealed combustible materials.

**Table 7.1**

<b><math>R = 1/k \times \text{inches of thickness}</math></b>
---

**Table 7.2**

Hearth Extension Insulation Alternatives, R Value = 1.03			
Material	k per inch thick	r per inch thick	Minimum thickness required
Hearth & Home HX3, HX4	0.49	2.06	1/2 in.
USG Micore 300™	0.49	2.06	1/2 in.
USG Durock™ Cement Board	1.92	0.52	2 in.
Cement Mortar	5.0	0.20	5 1/8 in.
Common Brick	5.0	0.20	5 1/8 in.
Ceramic Tile	12.50	0.08	12 1/4 in.
Armstrong™ Privacy Guard Plus	0.46	2.18	1/2 in.
Marble	14.3-20.0	0.07-0.05	14 5/8 in. - 20 3/8 in.



**Figure 7.3** Hearth Extension Dimensions

## 1. Fireplace Installed Flush on the Floor and Hearth Extension Raised to Bottom of Firebox Opening

Non-combustible flooring a minimum of 20 in. (508 mm) in front of and 12 in. (305 mm) to each side of the fuel opening is required.

The hearth framing must be constructed of non-combustible materials (such as metal framing or equivalent material) and placed on HX4, or equivalent material.

**When creating the platform, allow for the thickness of the non-combustible finishing materials.**

Seal gaps between the hearth extension and the front of the fireplace with a bead of non-combustible sealant or grout.

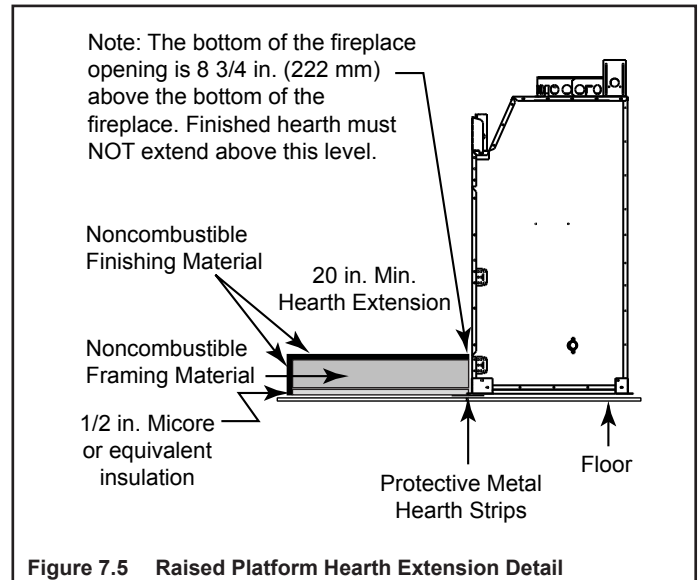


Figure 7.5 Raised Platform Hearth Extension Detail

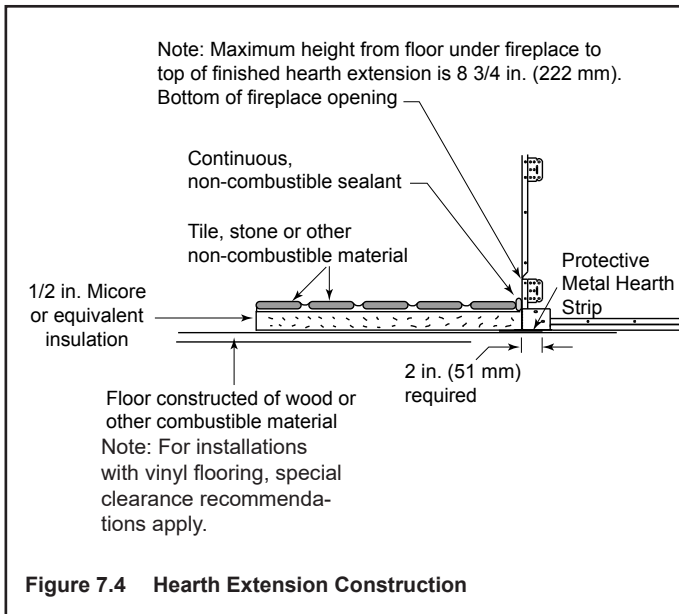


Figure 7.4 Hearth Extension Construction

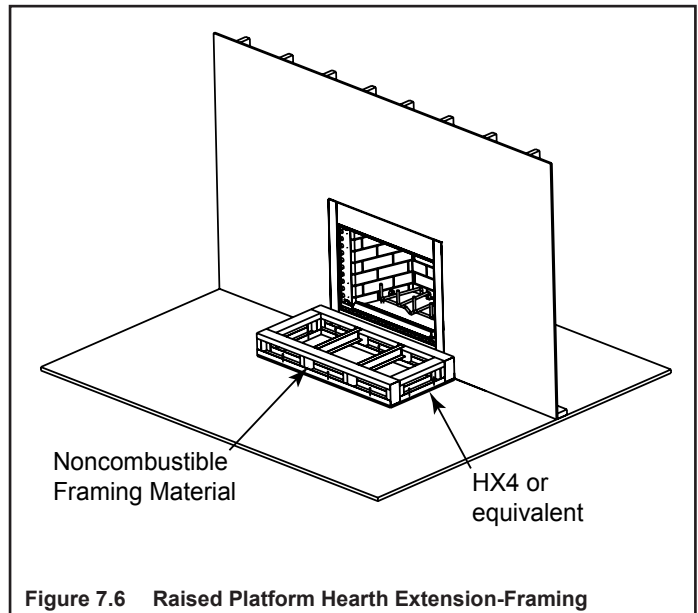


Figure 7.6 Raised Platform Hearth Extension-Framing

## Vinyl Flooring

Vinyl Flooring is sensitive to heat. A 48 inch minimum depth hearth extension is recommended when using vinyl flooring up to the wall. See Figure 7.4.

Notice: Clearances that do not meet the minimum guidelines could result in damage or buckling to the vinyl flooring and is done at the installer's or homeowner's risk.

Hearth and Home Technologies does not recommend adhesive based vinyl flooring due to thermal expansion. Floating-style flooring can be used, but will reach temperatures up to 110°F in a room with ambient temperatures of 70°F. Consult flooring specifications to ensure compatibility.

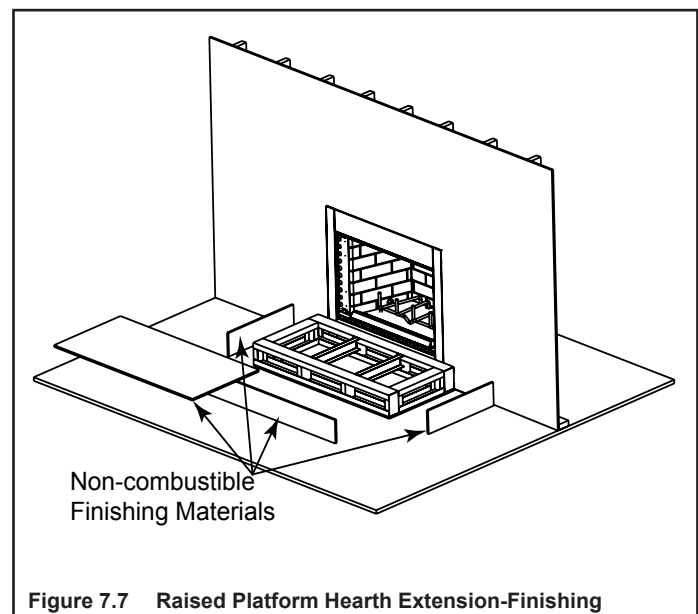


Figure 7.7 Raised Platform Hearth Extension-Finishing

## 2. Raised Hearth Extension and Raised Fire- place

Non-combustible flooring a minimum of 20 in. (508 mm) in front of and 12 in. (305 mm) to each side of the fuel opening is required.

The hearth framing must be constructed of non-combustible materials (such as metal framing or equivalent material) and placed on HX3(s), HX4(s) or equivalent material. See Figure 7.8.

**When creating the platform, allow for the thickness of the non-combustible finishing materials.**

Seal gaps between the hearth extension and the front of the fireplace with a bead of non-combustible sealant or grout.

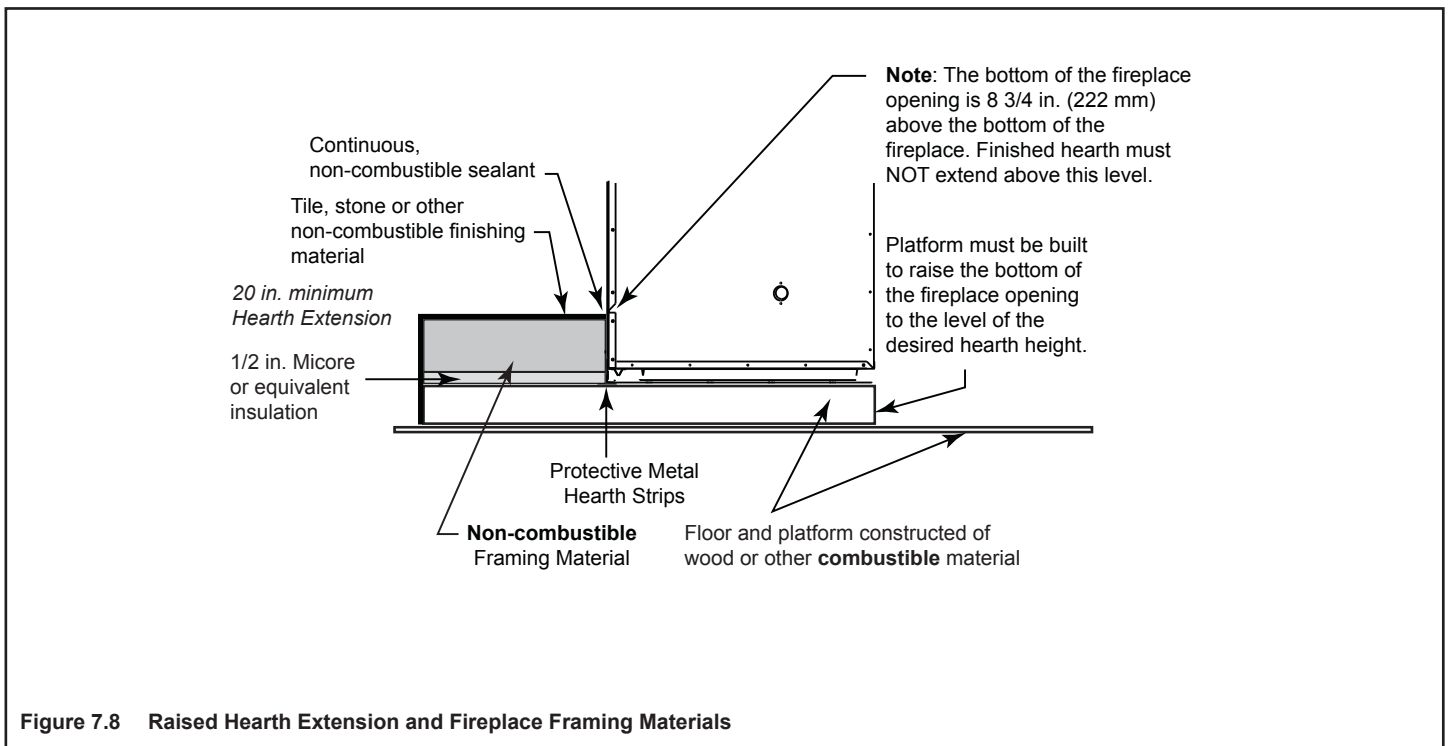


Figure 7.8 Raised Hearth Extension and Fireplace Framing Materials

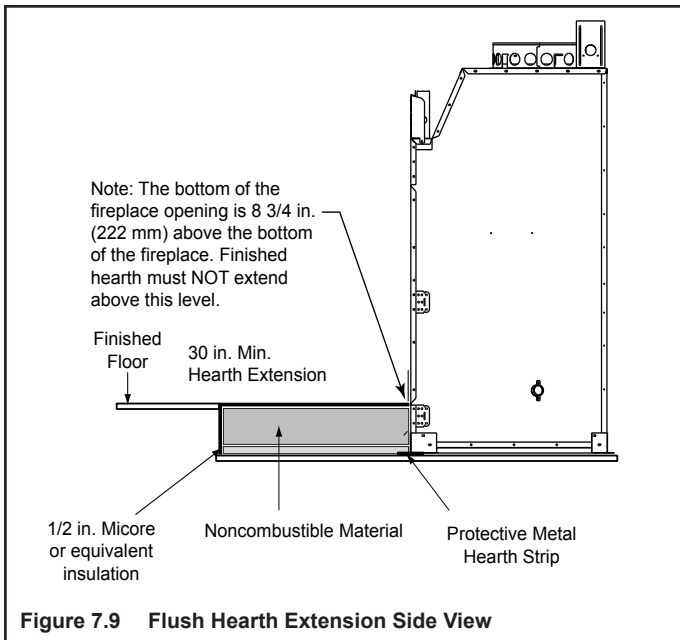
### 3. Fireplace Opening and Hearth Extension Flush with the Floor

Non-combustible flooring a minimum of 30 in. (762 mm) in front of and 12 in. (305 mm) to each side of the fuel opening is required.

The hearth framing must be constructed of non-combustible materials (such as metal framing or equivalent material) and placed on HX3(s), HX4(s) or equivalent material.

**When creating the platform, allow for the thickness of the non-combustible finishing materials.**

Seal gaps between the hearth extension and the front of the fireplace with a bead of non-combustible sealant or grout.



### C. Non-Combustible Sealant Material

After completing the framing and applying the facing materials over the framing, a bead of non-combustible sealant must be used to close off any gaps at the top and sides between the fireplace and hearth.

### WARNING! Risk of Fire!

Hearth & Home Technologies is not responsible for discoloration, cracking or other material failures of finishing materials due to heat exposure or smoke.

- Choose finishing materials carefully.

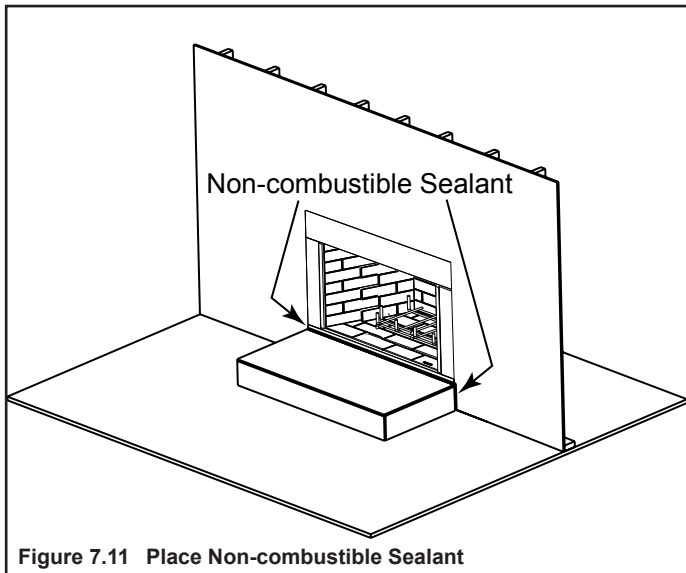


Figure 7.11 Place Non-combustible Sealant

**! WARNING  
ADVERTENCIA**

**DO NOT COVER FIREPLACE OPENING with finishing material.**

No cubra el hueco de la chimenea con materiales de acabado.

**🔥 Risk of Fire!  
Riesgo de Incendio!**

There must be **NO GAPS OR VOIDS** between facing material and appliance front. Seal gaps or voids with mortar, grout, or high temperature sealant.

NO debe haber **ESPACIOS NI VACÍOS** entre el material de revestimiento y el frente del aparato. Selle los huecos o vacíos con mortero, lechada o sellador de alta temperatura.

FACING MATERIAL  
MATERIAL FRONTAL

LINTEL BAR  
BARRA DINTEL

SEAL GAP  
SELLAR  
EL ESPACIO

**DO NOT COVER FIREPLACE OPENING  
NO CUBRIR ABERTURA DE LA CHIMENEA**

**\*\*REMOVE LABEL BEFORE APPLYING FINISHING\*\***  
**\*\*RETIRE LA ETIQUETA ANTES DE APLICAR EL ACABADO\*\*** 4017-289 rev D

NON-COMBUSTIBLE label attached to firescreen by manufacturer.

## D. Mantel and Wall Projections

The combustible mantel may have a maximum depth of 12 in. (305 mm) positioned 12 in. (305 mm) above the fireplace opening. Combustible trim pieces that project no more than 1 1/2 in. (38 mm) from the face of the fireplace can be placed no closer than 6 in. (152 mm) from the top of the decorative front. Combustible trim must not cover:

- the metal surfaces of the fireplace
- where the non-combustible board is placed over the metal surfaces
- the space between the metal face of the fireplace and framing members

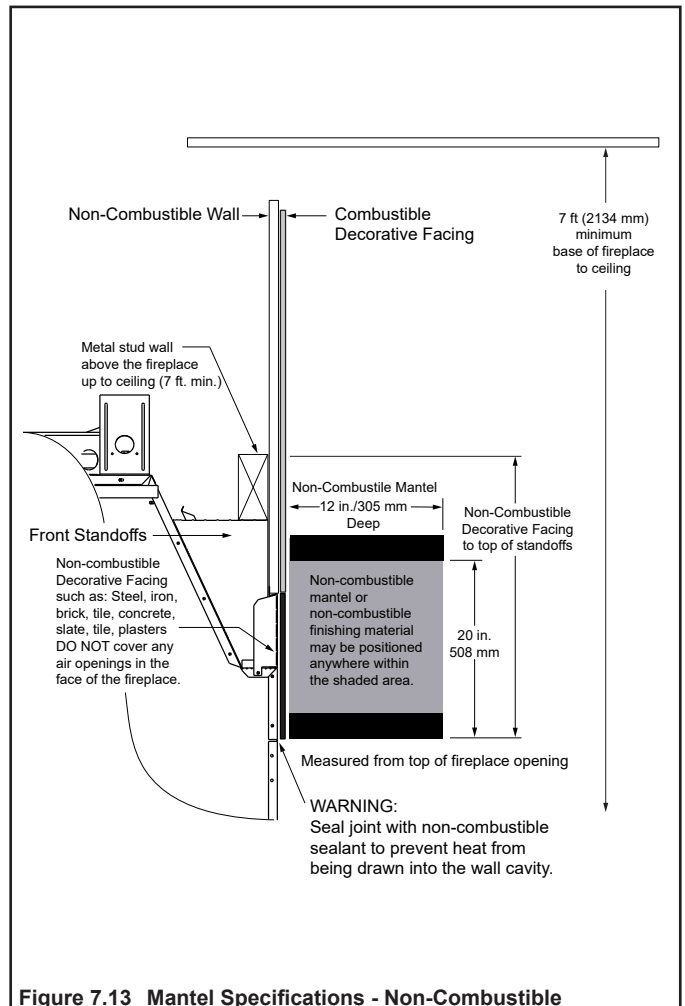
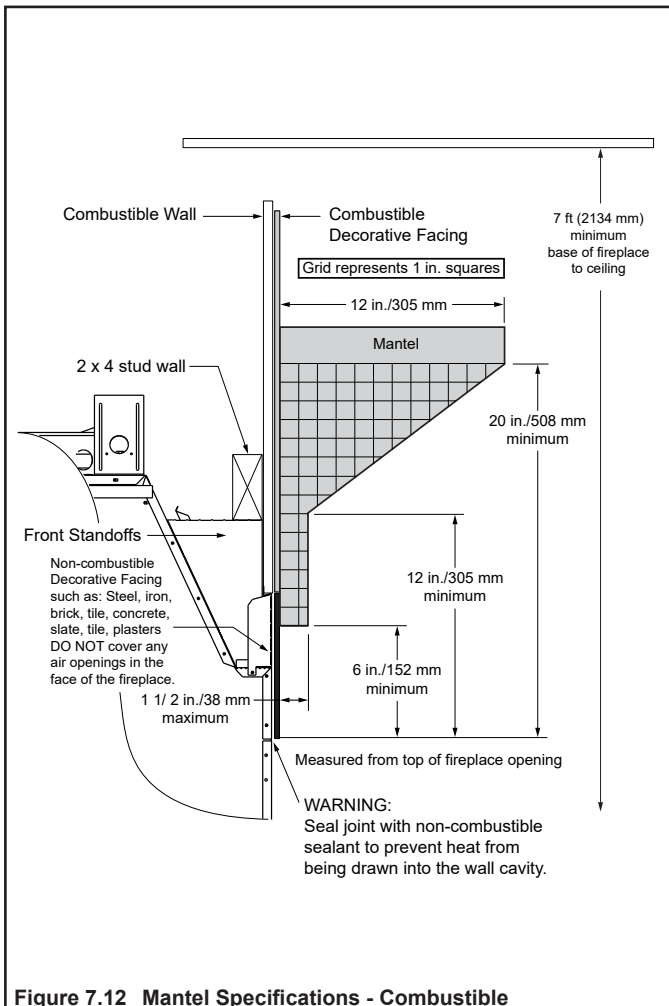
A non-combustible mantel can be placed lower than Figure 7.13, but all building materials that construct the wall must be changed to non-combustible.

### **WARNING! Risk of Fire!**

*You must seal around the finishing material to fireplace.*

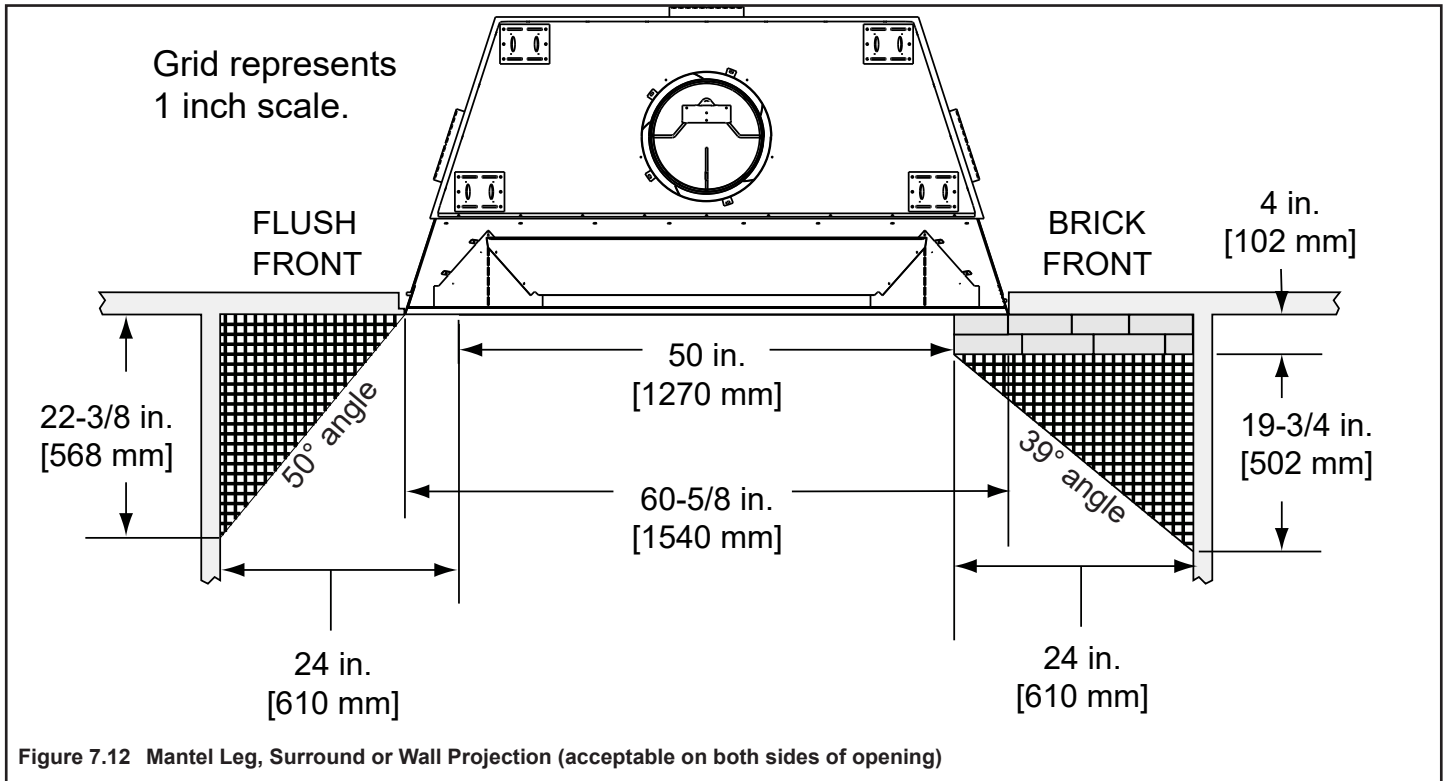
*Hearth & Home Technologies is not responsible for discoloration, cracking or other material failures of finishing materials due to heat exposure or smoke.*

- *Choose finishing materials carefully.*



## E. Sidewalls/Surrounds

- Locate adjacent combustible sidewalls a minimum of 24 in. (610 mm) from fireplace opening.
- Mantle leg, surround, stub wall, whether combustible or non-combustible, may be constructed as shown in Figure 7.12.



# 8 Fireplace Setup

## A. Refractory Panel Kit in Crate

- The Refractory Panels are shipped in a sturdy crate with 3 to 4 trays for individual Refractory Panels.
- Remove the lid from crate to access Refractory Panels.
- Remove all corner brackets from the crate.
- Use a clean paint brush to remove any accumulated dust from Refractory Panel before removing it from the crate. See Figure 8.



Figure 8 Clean Refractory Panel

- Remove smoke shield by removing five screws (starting from one side: remove two, skip one, remove one, skip one, remove two). See Figures 8.1 and 8.2.

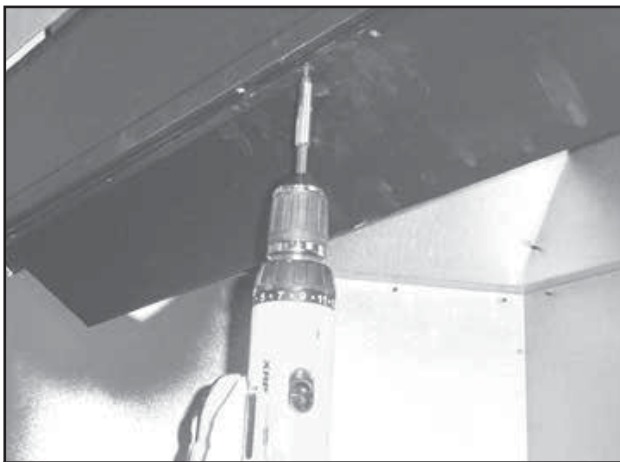


Figure 8.1 Remove Smoke Shield

We recommend two installers for hearth stone and refractory installation!

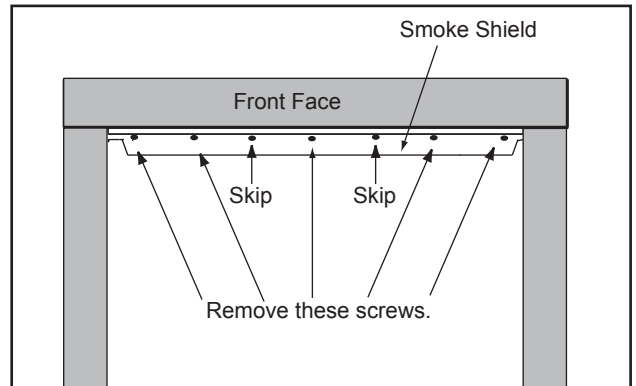


Figure 8.2 Remove Smoke Shield

- Position the bottom of the back refractory to the back of the fireplace and center from side to side. See Figure 8.3. Be sure to position it so the retainer notch is at the top.

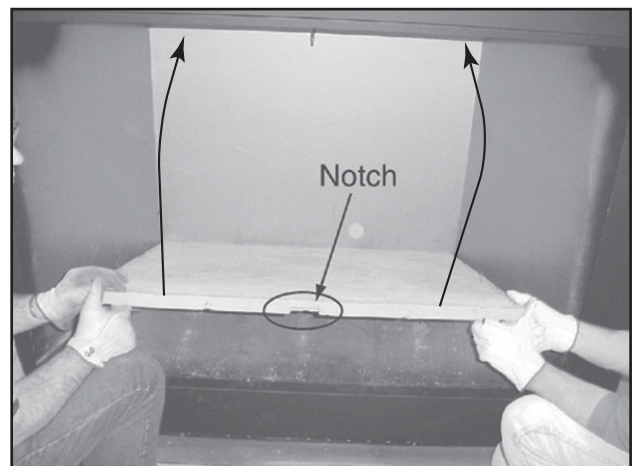


Figure 8.3 Install Back Refractory

- Fasten in place with the refractory retainer and screws provided with fireplace. See Figure 8.4.

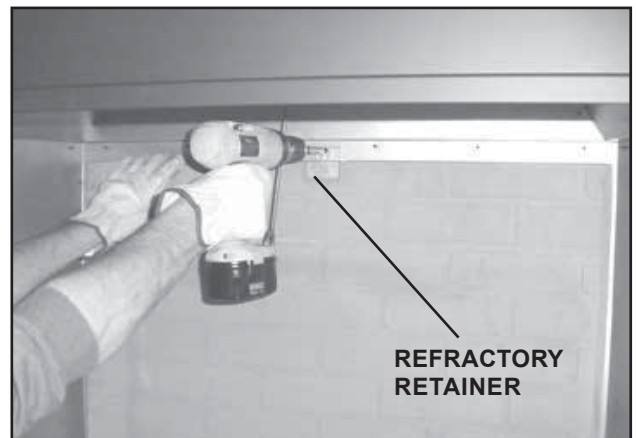


Figure 8.4 Attach Back Refractory

**Note:** To ensure proper installation, gas knockouts in the side refractories should be positioned towards back of fireplace. See Figure 7.13.

- Place side refractory into fireplace. Position towards front of fireplace and slide to the rear. See Figures 8.5 and 8.6. Repeat for the second side refractory.

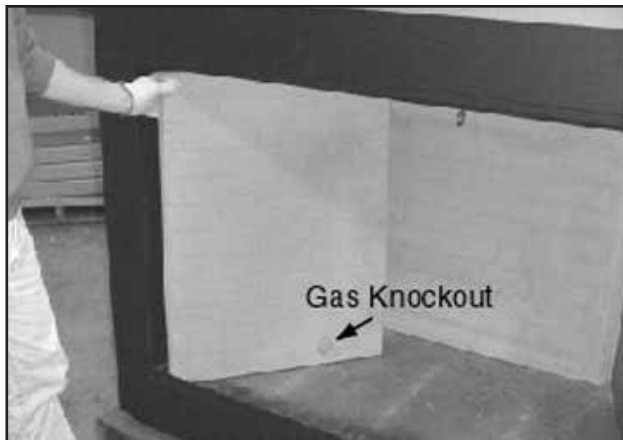


Figure 8.5 Install Side Refractory



Figure 8.6 Side Refractory Installed

- Slide grate retainers into notches in bottom of back refractory on each side as shown in Figures 8.7 and 8.8. Place one on each side of back refractory.



Figure 8.7 Slide Grate Retaining Bracket into Notch



Figure 8.8 Grate Retaining Bracket in Place

- Replace hearth stone.
- Place grate into fireplace and slide back legs into brackets to hold grate in place.
- Replace smoke shield and screen assemblies.

## B. Gas Log/Lighter Provision

**WARNING! Fire and/or Asphyxiation Risk! Use with solid wood fuel or decorative gas appliance only. Gas fire generates fumes.**

- Damper must be locked fully open when gas logs are installed

A certified gas log lighter or decorative gas log set can be installed in this fireplace.

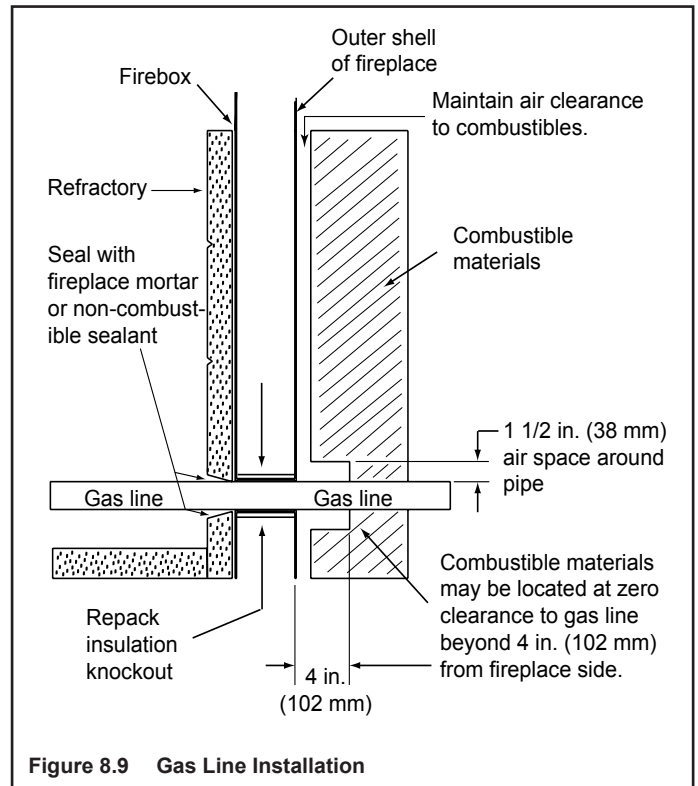
### Vented Gas Logs

- Maximum input is 100,000 BTU/hr.
- Decorative gas appliance must be certified to **ANSI Z21.60/CSA 2.26** "Standard for Decorative Gas Appliances for Installation in Vented Fireplaces".
- Must be installed in accordance with the **National Fuel Gas Code, ANSI Z223.1** and **Natural Gas Installation Code, CAN/CGA-B149.1-M95** or the **Propane Installation Code, CAN/CGA-B149.2-M95**.
- A gas log set must incorporate a gas shutoff.
- Gas Log set requires the damper to be locked fully open.
- A listed automatic damper system with safety interlock may be used in this fireplace with only compatible, listed gas log sets. See damper system manufacturer's instructions.
- Knockouts are provided on both sides of the fireplace and in refractories for 1/2 in. (13 mm) iron pipe.
- Seal refractory around pipe with fireplace mortar or a non-combustible sealant.

### Unvented Gas Logs

**CAUTION!** If an unvented gas appliance is installed in the fireplace, the gas appliance must only be operated with the fireplace glass door fully open (if included). Only unvented gas log sets which have been found to comply with the standard for unvented room heaters, ANSI Z211.11.2, are to be installed in this fireplace. If an unvented gas appliance is installed it must incorporate an automatic shutoff device, and must be installed in accordance with the National Fuel Gas Code Z223.1, Latest edition.

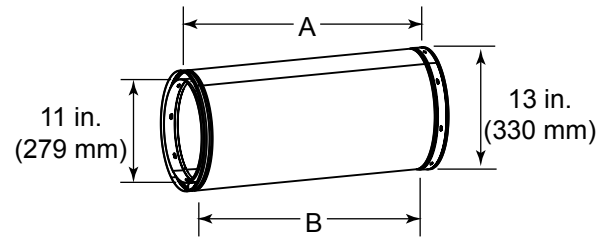
**WARNING! Do Not** operate an unvented gas log set in this fireplace with the chimney removed.



# 9 Reference Materials

## A. Chimney Components

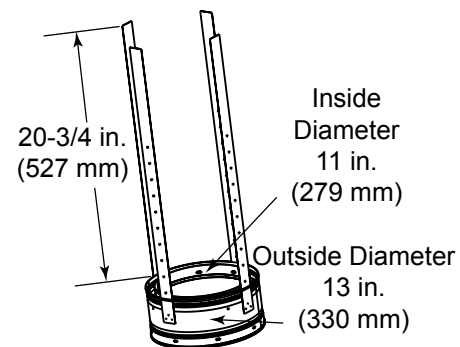
Catalog #	Description
CAK5A	Chimney Air Kit
ID4/ID6	Insulated Duct/Outside Air
UD4/UD6	Uninsulated Duct/Outside Air
SL1106	Chimney Section - 6 in. (152 mm) long
SL1112	Chimney Section - 12 in. (305 mm) long
SL1118	Chimney Section - 18 in. (457 mm) long
SL1136	Chimney Section - 36 in. (914 mm) long
SL1148	Chimney Section - 48 in. (1219 mm) long
SL11	Chimney Stabilizer
SL1130	Chimney Offset/Return - 30 deg
FS538	Ceiling Firestop - Straight
FS540	Ceiling Firestop - 30 deg
AS10	Straight Attic Shield, 24 in. (610 mm)
JB577	Chimney Joint Band
CB576	Chimney Bracket
RF570	Roof Flashing - Flat to 6/12 Pitch
RF571	Roof Flashing - 6/12 to 12/12 Pitch
TR11	Round Termination Cap
TR11T-B	Round Telescoping Termination Cap
TCT1175	Terra Cotta Termination Cap
ST1175	Square Termination Cap
TR-TVK	TR Top Vent Kit
DTO134-BK	Short Octagon Decorative Cap - Black
DTO134-CP	Short Octagon Decorative Cap - Copper
DTO146-BK	Tall Octagon Decorative Cap - Black
DTO146-CP	Tall Octagon Decorative Cap - Copper
DTS134-BK	Short Square Decorative Cap - Black
DTS134-CP	Short Square Decorative Cap - Copper
DTS146-BK	Tall Square Decorative Cap - Black
DTS146-CP	Tall Square Decorative Cap - Copper
LDS33	Decorative Shroud - 3 ft x 3 ft (.91 m x .91 m)
LDS46	Decorative Shroud - 4 ft x 6 ft (1.22 m x 1.83 m)
LDS-BV	Decorative Shroud - 26 in. x 26 in. (660 mm x 660 mm)
	Field Constructed Shrouds (See "Woodburning Term. Cap")
CT-11A-B	Adapter-May be used with the following caps



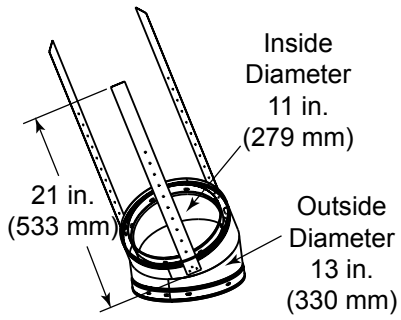
Chimney Sections

Catalog #	A		B	
	in	mm	in	mm
SL1106	6	152	4-3/4	121
SL1112	12	305	10-3/4	273
SL1118	18	457	16-3/4	425
SL1136	36	914	34-3/4	883
SL1148	48	1219	46-3/4	1187

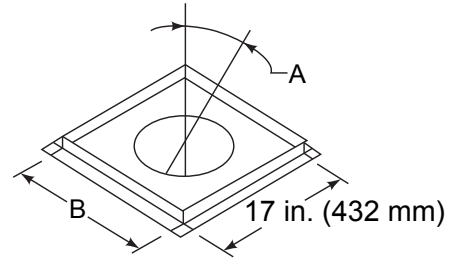
**A = Actual Length**  
**B = Effective Length (length of chimney part after it has been snapped to another)**



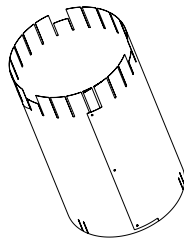
SL11 Chimney Stabilizer



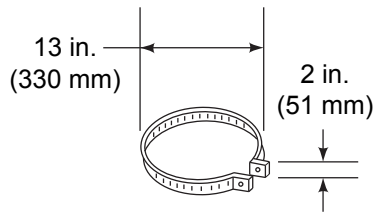
**SL1130 Offset/Return**



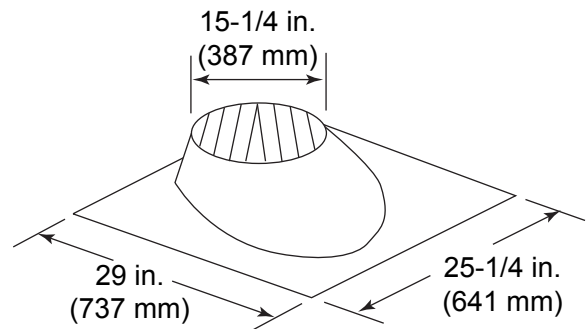
Catalog #	A	B	
FS538	0-deg.	17 in.	432 mm
FS540	30-deg.	26 in.	660 mm



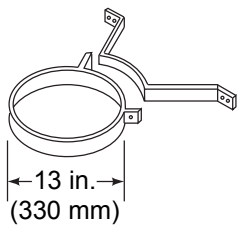
**Assembled  
Diameter: 17 in./432 mm  
Height: 24 in./610 mm**  
**AS10 Straight Attic Insulation Shield**



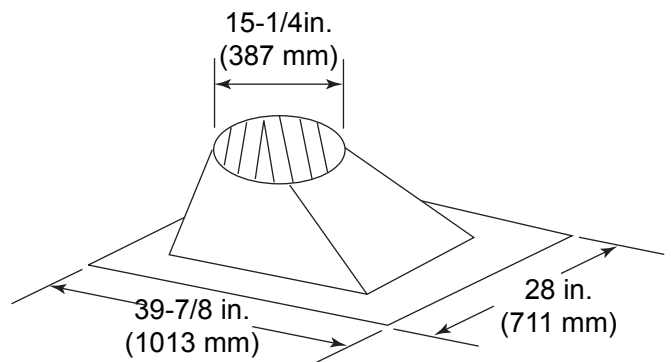
**JB577 Chimney Joint Band**



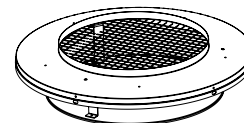
**RF570 Roof Flashing**



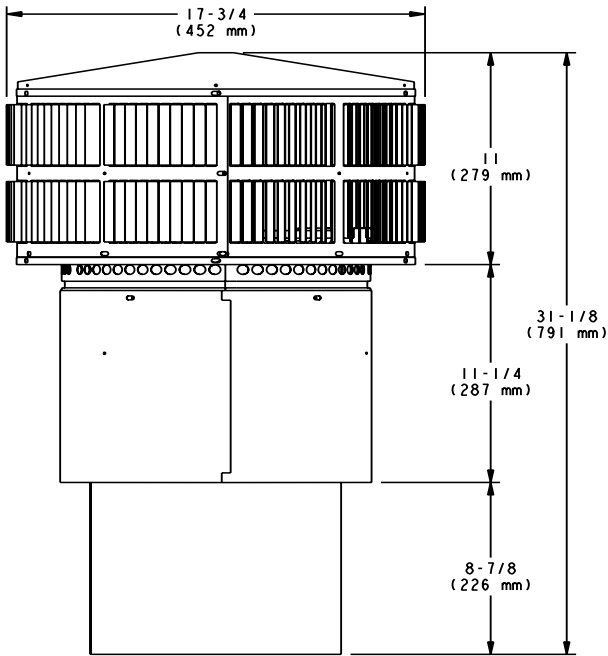
**CB576 Chimney Bracket**



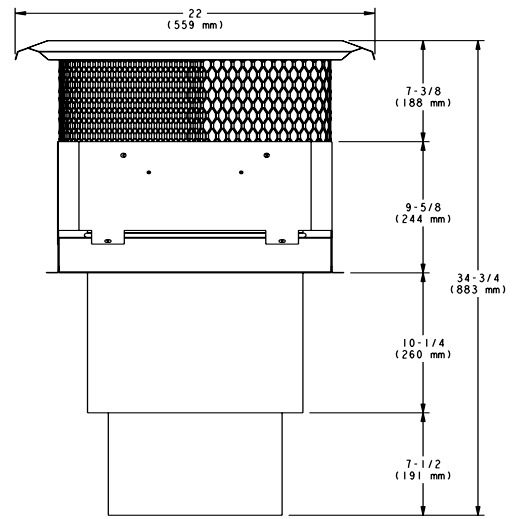
**RF571 Roof Flashing**



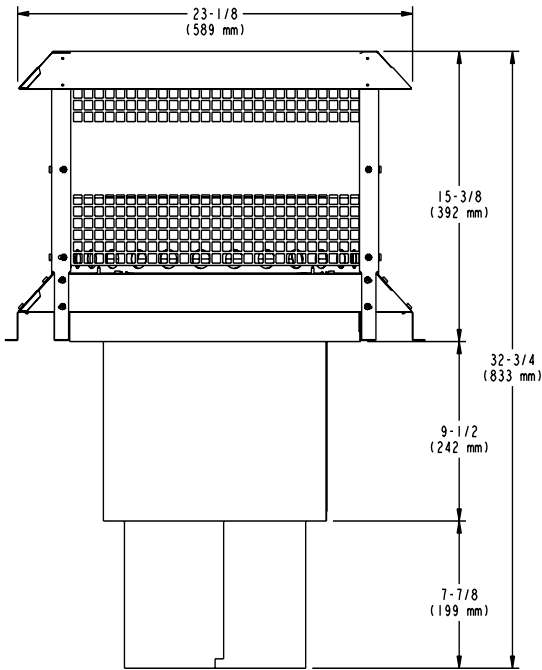
**TR-TVK**



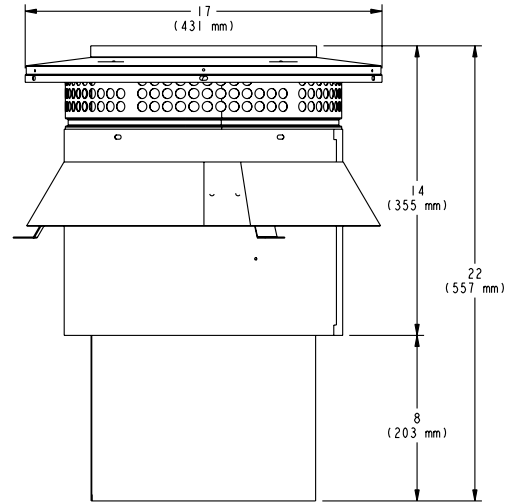
**TR11T - Round Telescoping Termination Cap**



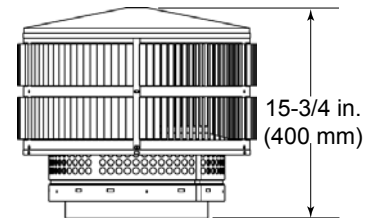
**TCT1175 - Terra Cotta Cap**



**ST1175 - Square Termination Cap**

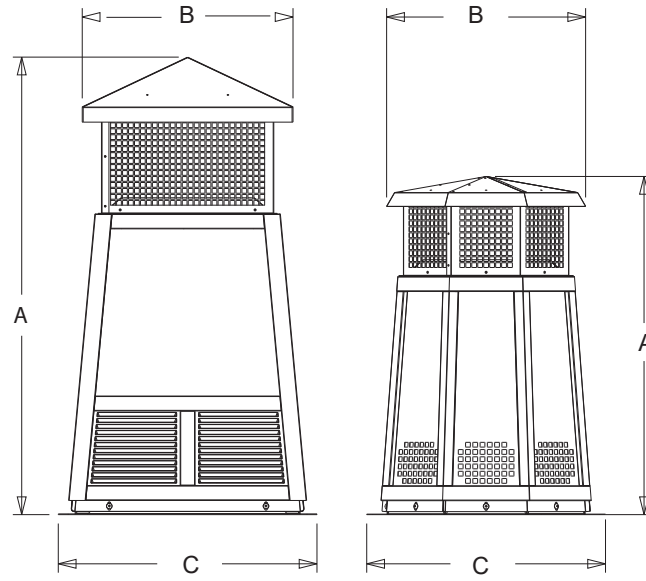


**CT11-A Adapter**



**TR11 - Round Termination Cap**

## B. Optional Components



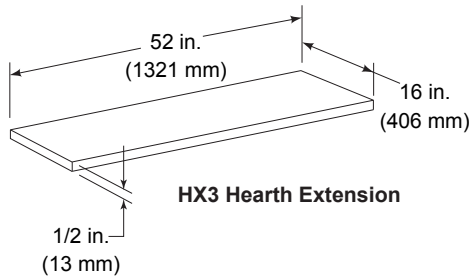
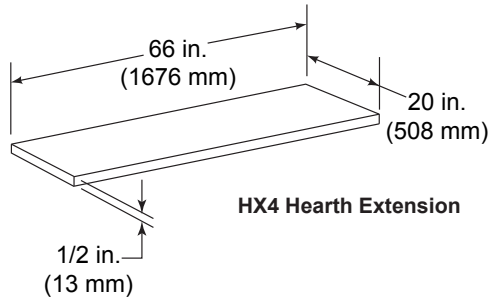
**DTS134/146-BK/CP**

**DTO134/146-BK/CP**

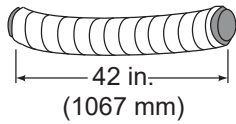
**Decorative Caps**

<b>DTO134-BK/CP</b>		<b>A</b>	<b>B</b>	<b>C</b>
	in	34	20	24
	mm	864	508	610
<b>DTO146-BK/CP</b>				
	in	46	22-3/4	26
	mm	1168	577	660

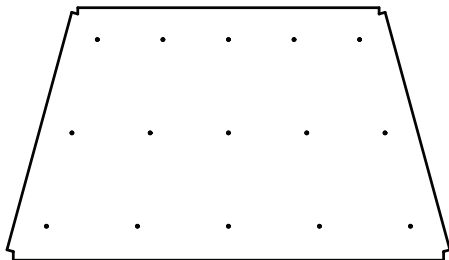
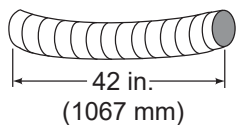
<b>DTS134-BK/CP</b>		<b>A</b>	<b>B</b>	<b>C</b>
	in	34	21-3/16	24
	mm	864	538	610
<b>DTS146-BK/CP</b>				
	in	46	21-3/16	26
	mm	1168	538	660



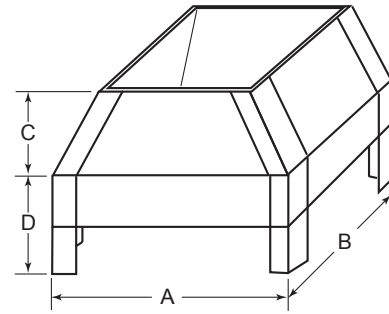
ID4 Insulated Duct 4 in. (102 mm) i.d.  
ID6 Insulated Duct 6 in. (152 mm) i.d.



UD4 Uninsulated Duct 4 in. (102 mm) i.d.  
UD6 Uninsulated Duct 6 in. (152 mm) i.d.



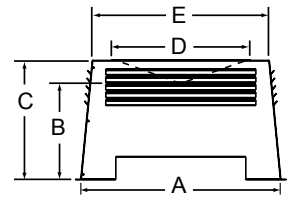
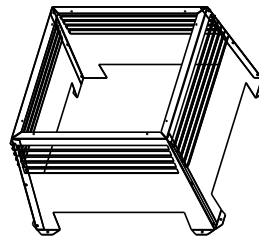
**ODCTGWD-DP50 Drain Pan**



**LDS33/LDS46 Decorative Shroud**

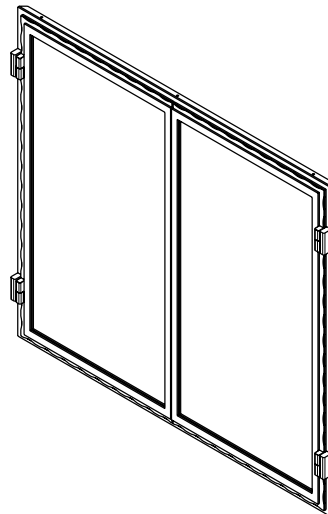
Catalog #	A		B		C		D	
	in.	mm	in.	mm	in.	mm	in.	mm
LDS33	36	914	36	914	8.5	216	11	279
LDS46	48	1219	72	1829	8.5	216	11	279

**LDSCP-M - Corner Post Kit (for custom sizes)**



**LDS-BV Decorative Shroud**

Catalog #	A	B	C	E	E
	LDS-BV	in. 26	12.5	15.5	22
	mm 660	318	394	533	584



**DM100-S Glass Doors (optional)**

**See your Outdoor Lifestyles dealer for a complete list of optional components.**

Outdoor Lifestyles, a brand of Hearth & Home Technologies  
7571 - 215th Street West, Lakeville, MN 55044  
[www.hearthnhome.com](http://www.hearthnhome.com)

Please contact your Outdoor Lifestyles dealer with any questions or concerns.  
For the location of your nearest Outdoor Lifestyles dealer, please visit [www.hearthnhome.com](http://www.hearthnhome.com).