

Boulevard

VENT-FREE LINEAR FIREPLACES

Decorative Front Kits for Use on VFL60FP90L(N,P)-1

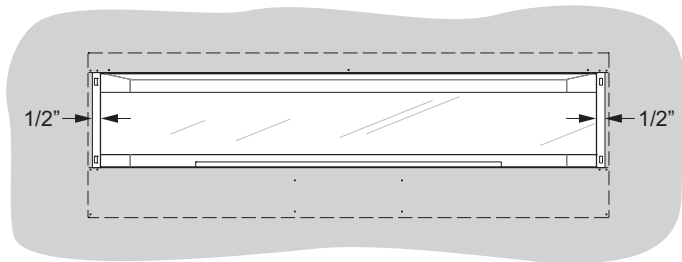
- DFL601BL-1 (Black)**
- DFL602BL-1 (Black)**
- DFL602NB-1 (Brushed Nickel)**

Decorative Front Kits for Use on VFL72FP90L(N,P)-1

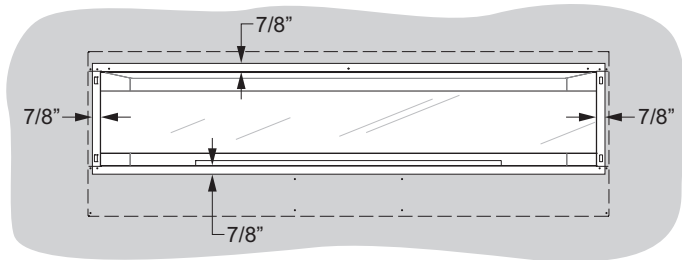
- DFL721BL-1 (Black)**
- DFL722BL-1 (Black)**
- DFL722NB-1 (Brushed Nickel)**

LEAVE INSTRUCTIONS WITH THE OWNER AFTER INSTALLATION.

- For installation of the DFL601BL, DFL602BL, DFL721BL, and DFL722BL kits, 1/2-inch unfinished space is required on both sides of the fireplace opening .



For installation of the DFL602NB & DFL722NB kits, 7/8-inch unfinished space is required on all four sides of the fireplace opening.



- If applicable, remove glass front from fireplace by lifting the glass front up, sliding it to the right, and then carefully angle left side out of the slots. See Figure 1.

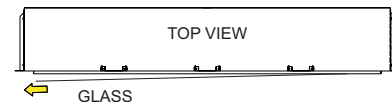
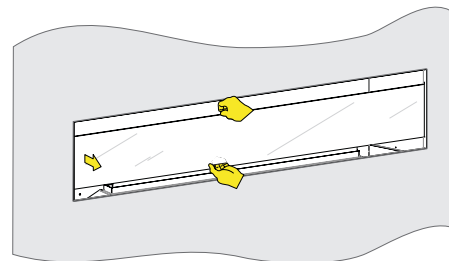
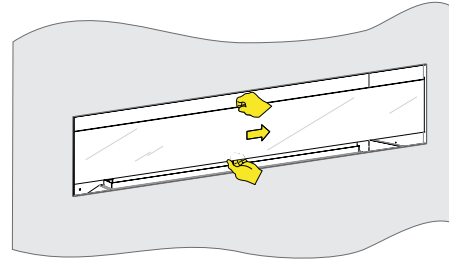
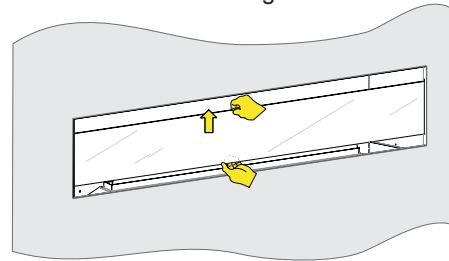


Figure 1

3. Remove the inner firebox top by removing five Phillips Truss Head Screws. See Figure 2.

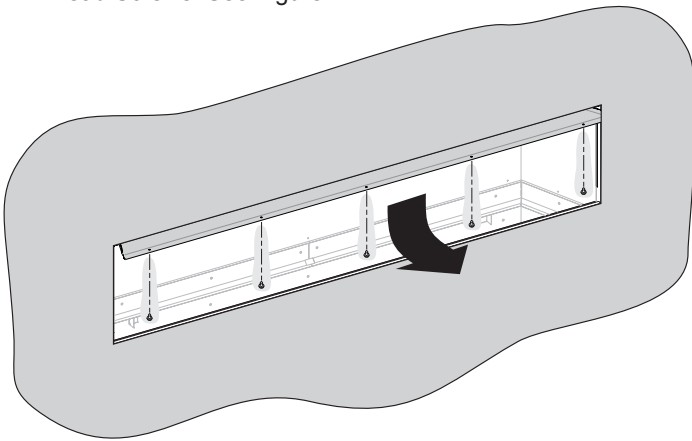


Figure 2

5. Reinstall the inner firebox top and five screws removed in Step 3. See Figure 4.

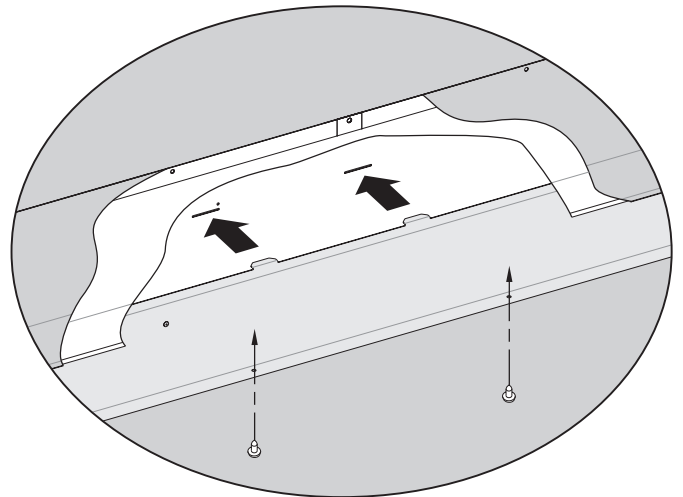


Figure 4

4. Insert trim tabs into the slots on either side of the fireplace opening. Position until the trim touches the finishing material around the fireplace opening.

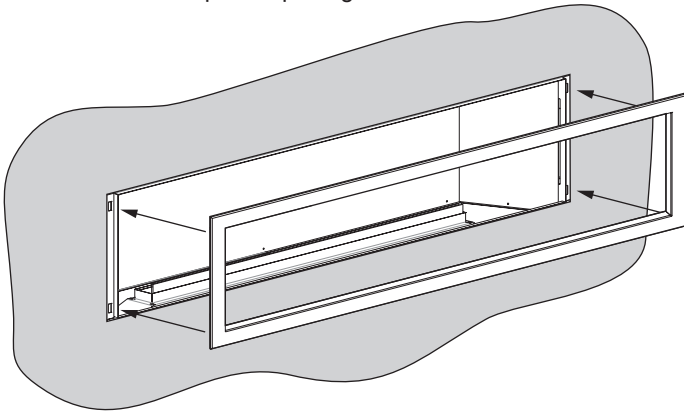


Figure 3

6. Replace the glass front into the fireplace by reversing the steps in step 2.

Boulevard
VENT-FREE LINEAR FIREPLACES

Empire Comfort Systems Inc.
Belleville, IL

If you have a general question about our products, please e-mail us at info@empirecomfort.com.
If you have a service or repair question, please contact your dealer.

www.empirecomfort.com