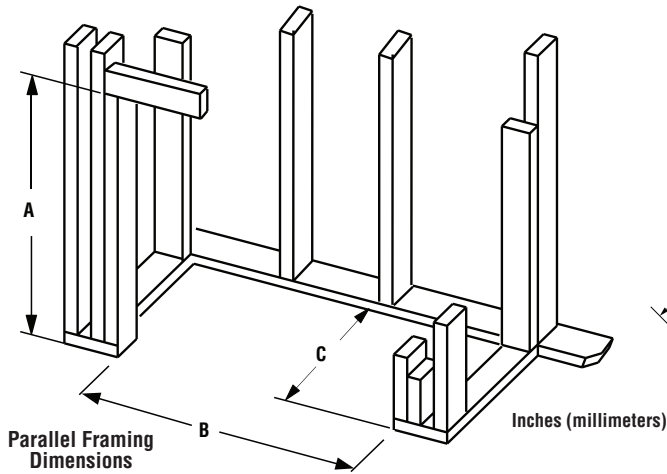


# WRE4550 SERIES

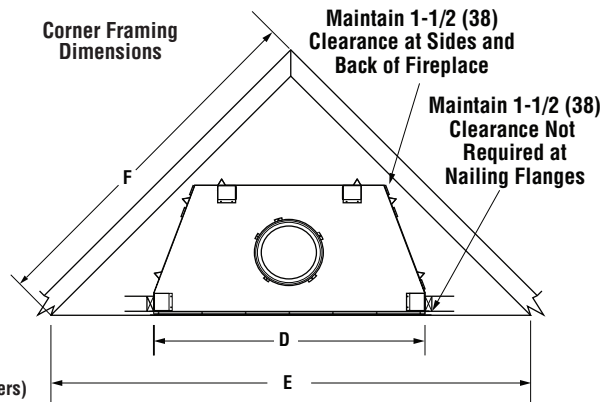
## OUTDOOR WOOD-BURNING FIREPLACES

Framing Dimensions



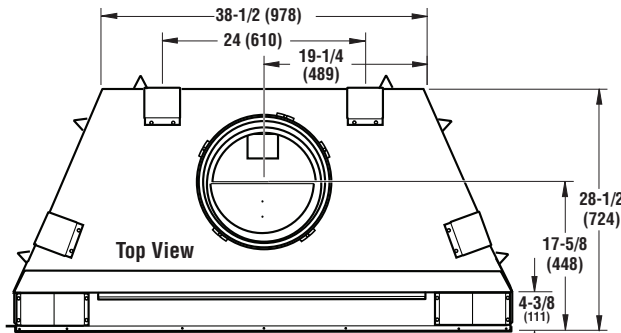
Parallel Framing Dimensions

	50" Models
A	67-1/8 (1705)
B	59-3/4 (1518)
C	30-1/8 (766)

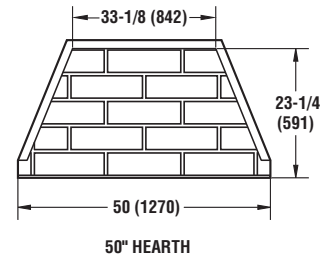


	50" Models
D	59-1/8 (1502)
E	100 (2540)
F	71 (1804)

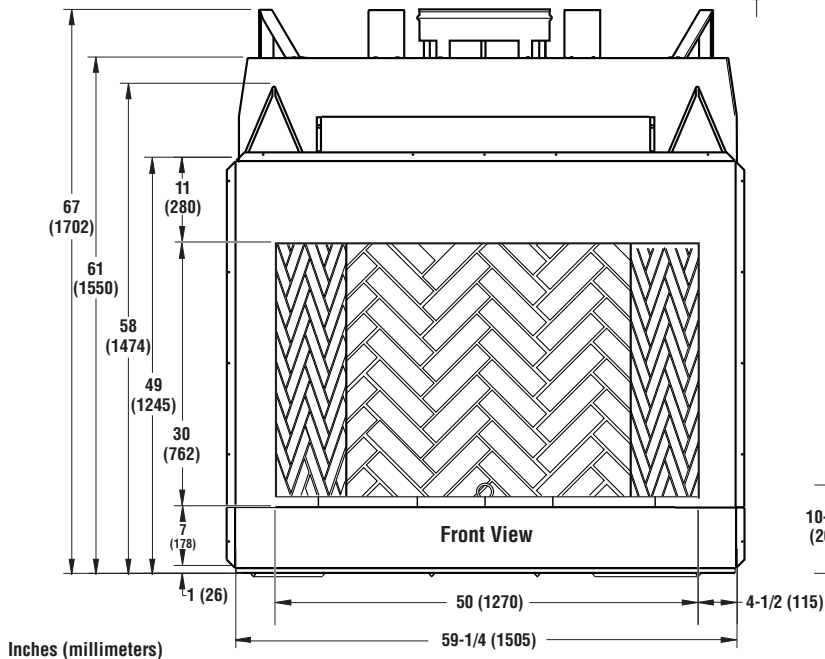
Fireplace Dimensions



Top View

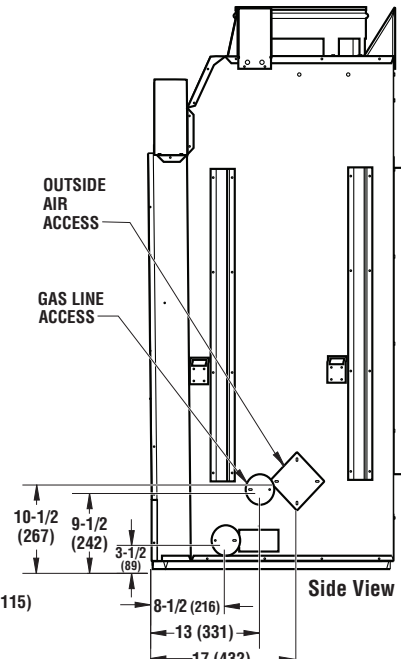


50" HEARTH



Front View

Inches (millimeters)



Side View

NOTE: DIAGRAMS & ILLUSTRATIONS ARE NOT TO SCALE.

# WRE4550 SERIES

Product Information

Product Reference Information			
Cat. No.	Model	Shipping Weight	Shipping Volume
F0445	WRE4550RS	610 lb.	131.5 cu. ft.
F0446	WRE4550WS	610 lb.	131.5 cu. ft.
F0447	WRE4550RH	610 lb.	131.5 cu. ft.
F0448	WRE4550WH	610 lb.	131.5 cu. ft.

Listing Information



Report No. F09-095

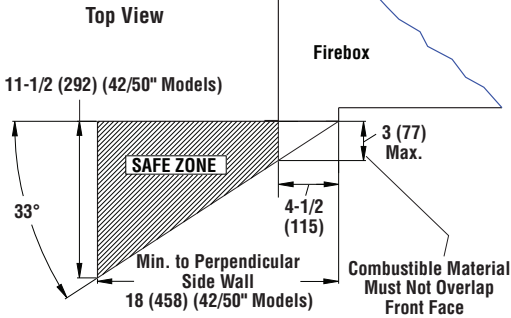
These fireplaces have been tested and approved by PFS Corporation under UL127/ ULC-S610 standard as a Factory Built Appliance and may be used with gas logs approved to ANSI Z21.60, Z21.84 or Z21.11.2 standards.

Clearances

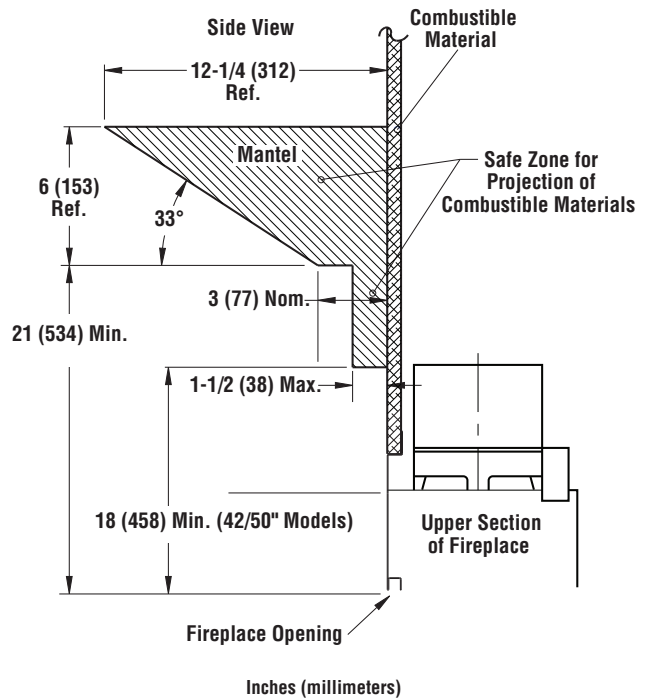
Clearances to Combustibles	
Description	Min. Clearance
Back and sides of fireplace	1-1/2 (38)*
Ceiling	42 (1067)
Front of fireplace	48 (1220)
Floor	0 (0)**
Perpendicular wall to opening	18 (458)
Top spacers	0 (0)
Chimney outer pipe surface	2 (51)

\* Not required at nailing flanges  
\*\* See step 2 of Framing in the Installation and Operation Manual

### Side Wall Clearances



### Mantel Clearances



Venting

**Venting**  
Uses Standard Wood Burning Chimney (12DM)

