

WRE4500 SERIES

 CUSTOM SERIES WOOD BURNING FIREPLACES

OUTDOOR


Our name is our promise.



TRADITIONAL

“Captivating” is the only way to describe these massive wood burners. Designed for large outdoor applications, the WRE4500 Custom Series fireplaces feature a 30” tall opening and beautiful refractory panels for a realistic appearance in long lasting stainless steel construction.



FEATURED WRE4542 fireplace with White Herringbone Refractory Panels

EXCLUSIVE FEATURES

- 🔥 Available in 36", 42" and 50" models
- 🔥 Massive smoke dome with no visible smoke shelf for reliable operation
- 🔥 Fully insulated firebox for increased performance in colder climates
- 🔥 Refractory panels in two patterns with integrated ash lip
- 🔥 Heavy duty stainless steel log grate
- 🔥 Hidden ash dump with pull ring
- 🔥 Easy access damper control
- 🔥 Includes stainless steel mesh fire screens
- 🔥 Dual (left hand/right hand) outside air kits available for maximum performance
- 🔥 Stainless steel construction for long lasting outdoor use
- 🔥 Uses IHP 12 DM (1700°) double wall air cooled wood burning chimney
- 🔥 Uses IHP 12 HT (2100°) heavy gauge double wall air cooled wood burning chimney, recommended for cold climates (required for Canada)
- 🔥 20 year limited warranty



WRT4542 fireplace and its large heavy duty log grate and rugged forged andirons

INTERIOR

(Required)

Choose from stacked or herringbone patterns.



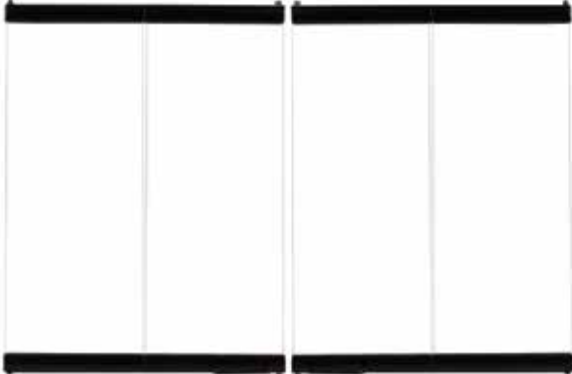
White Stacked



White Herringbone

GLASS DOORS

(Optional)



Platinum



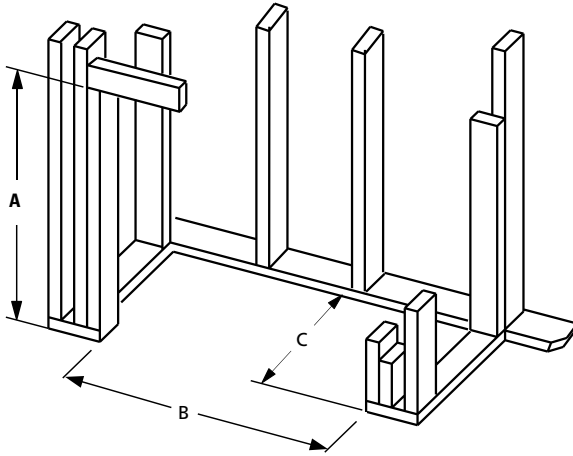
Brushed Brass



Black

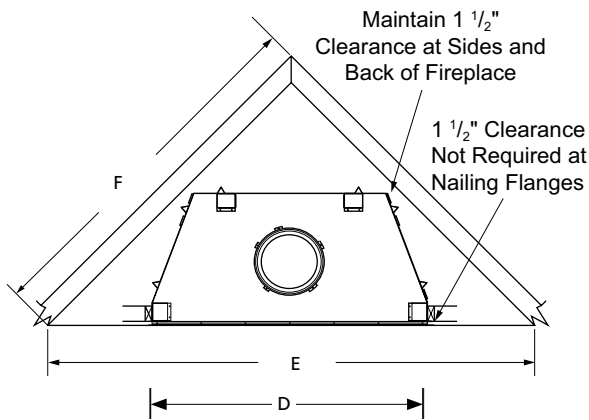
Bi-fold tempered glass doors are expertly crafted and finished in three options.

FLAT WALL FRAMING SPECIFICATIONS



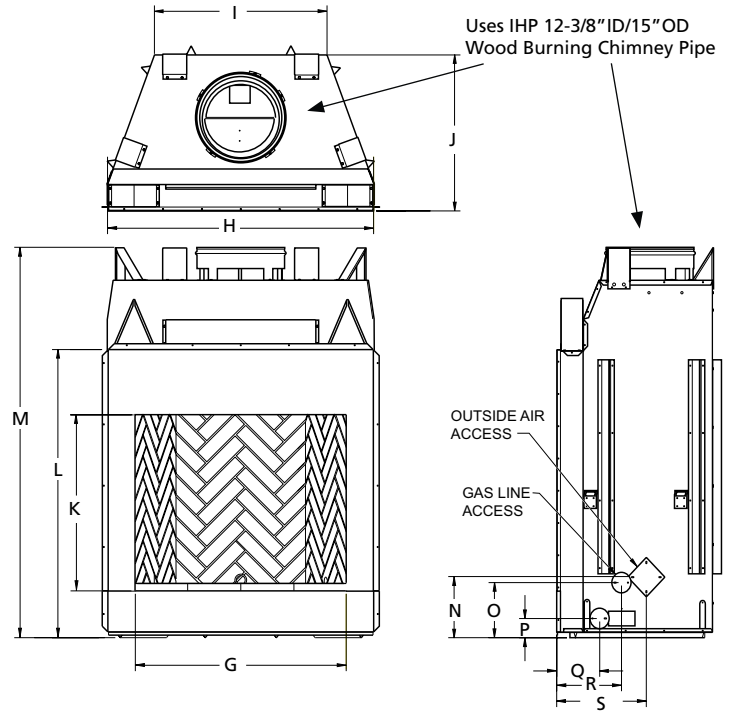
	WRE4536	WRE4542	WRE4550
A	67-1/8"	67-1/8"	67-1/8"
B	45-1/4"	51-1/4"	59-1/4"
C	28-1/4"	30-1/8"	30-1/8"

CORNER FRAMING SPECIFICATIONS



	WRE4536	WRE4542	WRE4550
D	45-1/4"	51-1/4"	59-1/4"
E	86-1/2"	92"	100"
F	61"	65"	71"

APPLIANCE SPECIFICATIONS



	WRE4536	WRE4542	WRE4550
G	36"	42"	50"
H	45-1/8"	51-1/8"	59"
I	29"	30-1/2"	38-1/2"
J	26-5/8"	29"	28-1/2"
K	30"	30"	30"
L	49"	49"	49"
M	67"	67"	67"
N	10-1/2"	10-1/2"	10-1/2"
O	9-1/2"	9-1/2"	9-1/2"
P	3-1/2"	3-1/2"	3-1/2"
Q	7-1/4"	8-1/2"	8-1/2"
R	11"	13"	13"
S	15-1/4"	17"	17"

IMPORTANT NOTES:

As with any fireplace, this appliance is extremely hot during operation. Read and understand all operating instructions before using this appliance. For further information, consult your dealer.

Local conditions, such as elevation, wind, vent configuration and choice of fuel will affect overall appearance of the fire and heating performance. Performance can also vary with home design and insulation, climate, condition and type of fuel used, appliance location, burn rate, accessories chosen, chimney installation and how the appliance is operated.

Diagrams, illustrations and photographs are not to scale—consult installation instructions. Product designs, materials, dimensions, specifications, colors and prices are subject to change or discontinuance without notice.



© 2017 Innovative Hearth Products
785471M 01/17

Visit us online



SuperiorFireplaces.us.com



Report #F09-095