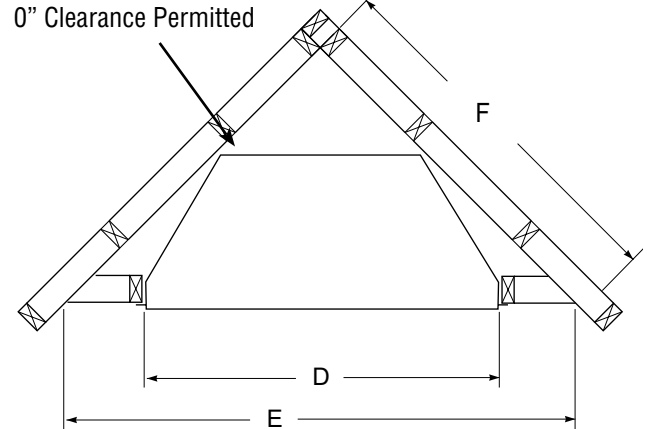
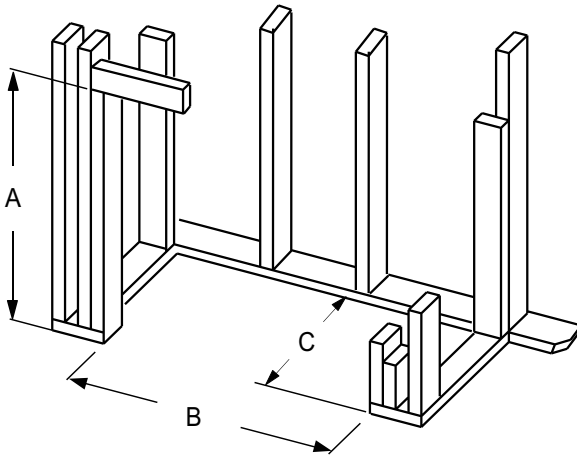


VRT3042 AND VCT3042

VENT-FREE FIREPLACES

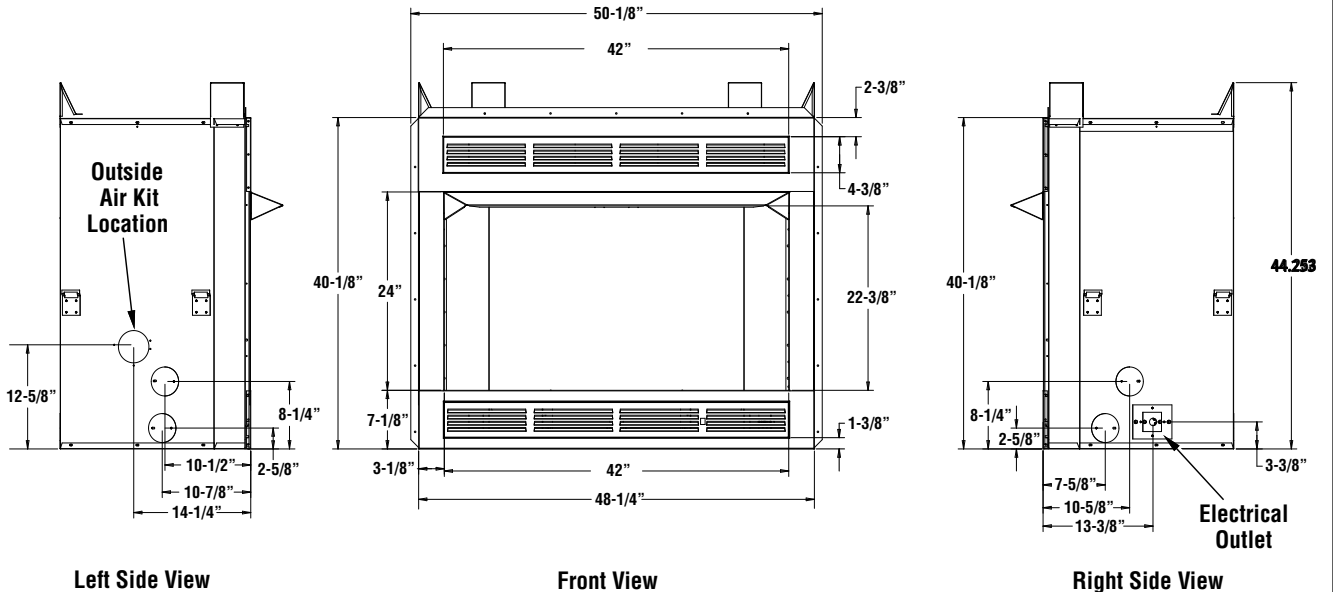
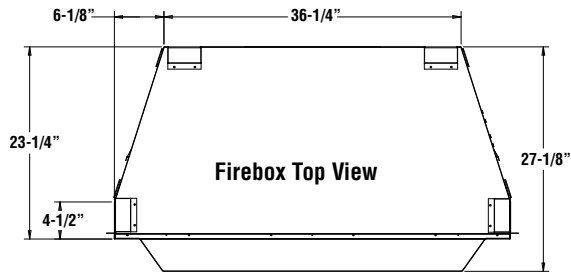
Framing Dimensions



Models	A	B	C
42" Models	43-3/4" 1099 mm	48-1/4" 1226 mm	23-1/2" 597 mm

Models	D	E	F
42" Models	48-1/4" 1226 mm	82" 2083 mm	58" 1474 mm

Fireplace Dimensions



Diagrams, illustrations and photographs are not to scale. Consult installation instructions. Product designs, materials, dimensions, specifications, colors, and prices are subject to change or discontinuance without notice.

NOTE: DIAGRAMS & ILLUSTRATIONS ARE NOT TO SCALE.

VRT3042 AND VCT3042

Product Information

Cat. #	Model	Type	Interior	Weight	Cu. Ft.
F0306	VRT3042B	Radiant	Black	224 lb.	32
F0307	VCT3042B	Louver	Black	224 lb.	32
F0316	VRT3042WS	Radiant	WS refractory	224 lb.	32
F0317	VCT3042WS	Louver	WS refractory	224 lb.	32
F0318	VRT3042RS	Radiant	RS refractory	224 lb.	32
F0319	VCT3042RS	Louver	RS refractory	224 lb.	32
F0320	VRT3042RH	Radiant	RH refractory	224 lb.	32
F0321	VCT3042RH	Louver	RH refractory	224 lb.	32

Listing Information

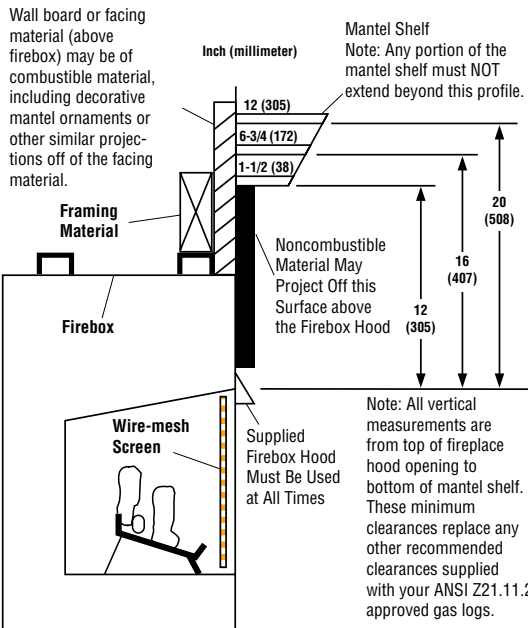


Report No. F12-020

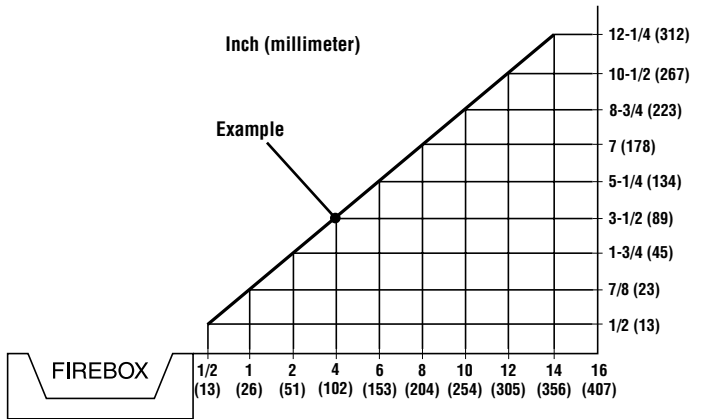
These appliances comply with National Safety Standards and are listed by PFS Corporation to ANSI Z21.91 Ventless Firebox Enclosures for Gas-Fired Unvented Decorative Room Heaters and is approved for use with appliances listed to ANSI Z21.11.2 decorative type unvented room heaters.

Clearances

Mantel Clearance



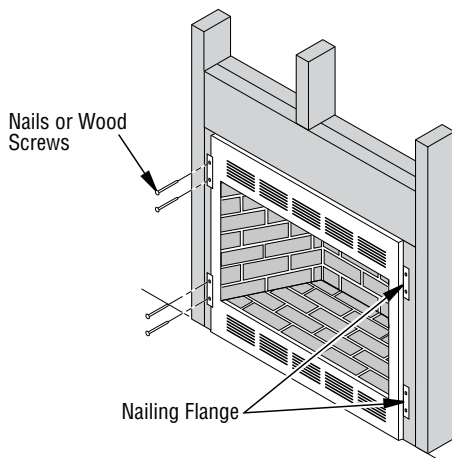
Mantel from Top of Opening	→	Mantel Depth Allowed
12" (305 mm)	→	1-1/2" (38 mm) max.
16" (407 mm)	→	6-3/4" (172 mm) max.
20" (508 mm)	→	12" (305 mm) max.



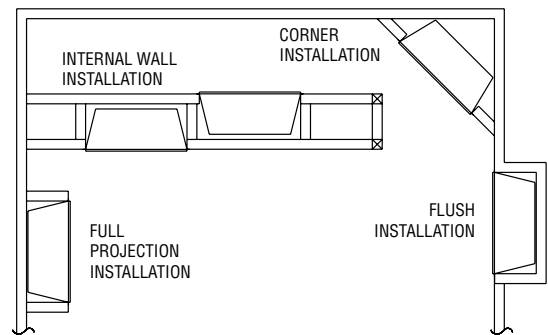
Minimum Wall and Ceiling Clearances

- Clearances from the side of the fireplace cabinet to any combustible material and wall should follow diagram shown here. Example: The face of a mantel, bookshelf, etc. is made of combustible material and protrudes 3-1/2" from the wall. This combustible material must be 4" from the side of the fireplace cabinet.
- Clearances from the top of the firebox opening to the ceiling should not be less than 42".
- When the firebox is installed directly on carpeting, vinyl tile or other combustible material, other than wood flooring, the firebox should be installed on a metal or wood panel extending the full width and depth of the enclosure.
- Clearances from the bottom of firebox to the floor is 0".

Nailing Flanges



Typical Locations



NOTE: DIAGRAMS & ILLUSTRATIONS ARE NOT TO SCALE.

Specifications and clearances are subject to change without notice. Refer to Installation and Operation Manual before installation of these appliances for updated dimensions and instructions.