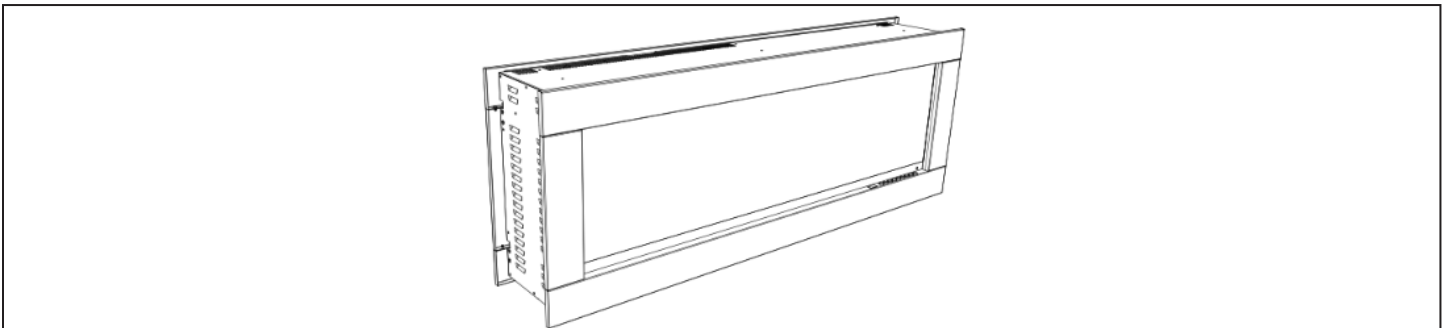


CLEARION™ SERIES ELECTRIC FIREPLACE

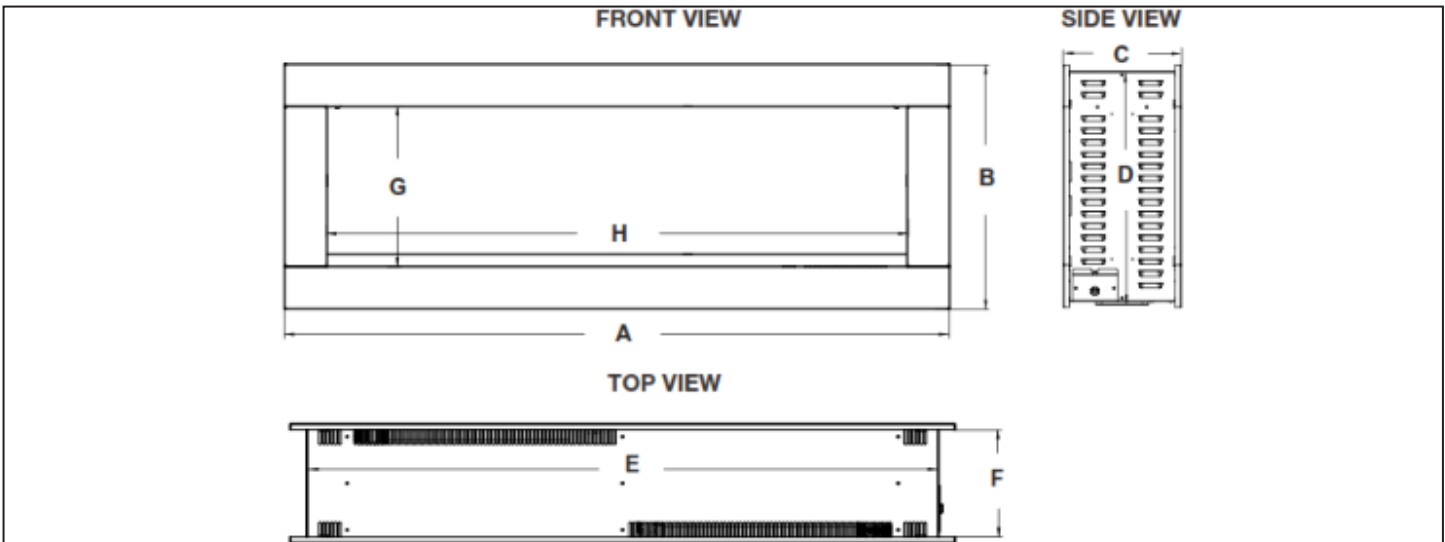
Specifications

Model	BTU	Width		Height		Depth		Glass
		Actual	Framing	Actual	Framing	Actual	Framing	
NEFBD50H (120V)	5000	50	49	18 3/8	17 15/16	8 1/16	8	12 X 43 5/8
NEFBD50H (240V)	9000	50	49	18 3/8	17 15/16	8 1/16	8	12 X 43 5/8
NEFBD50H-SS (120 V)	5000	50	49	18 3/8	17 15/16	8 1/16	8	12 X 43 5/8
NEFBD50H-SS (240 V)	9000	50	49	18 3/8	17 15/16	8 1/16	8	12 X 43 5/8

Overview



Dimensions



1.2 product information

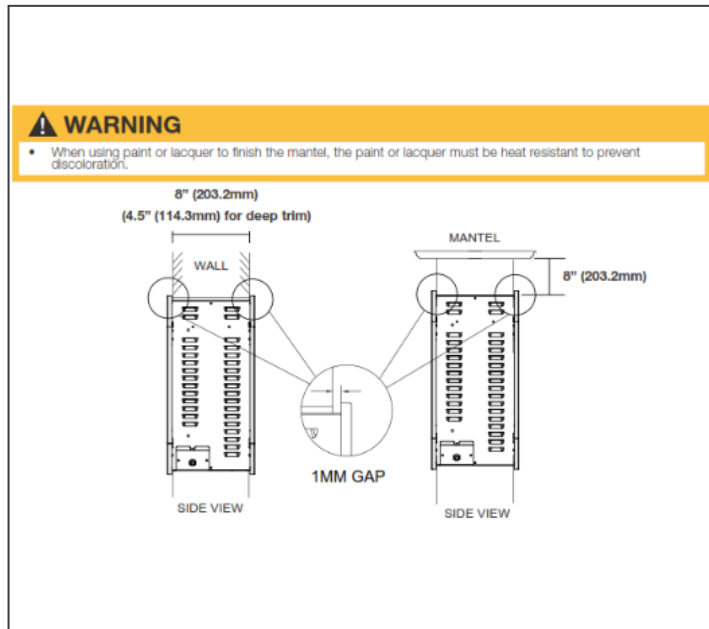
This appliance has been tested in accordance with the CSA Standards for fixed and location-dedicated electric room appliances in the United States and Canada. If you need assistance during installation, please contact your local dealer.

Dimensions								
	A	B	C	D	E	F	G	H
NEFBD50H	50" (1270mm)	18 3/8" (467.2mm)	9" (228.6mm)	17 11/16" (450mm)	47 9/16" (1207.8mm)	8 1/16" (205.2mm)	12" (304.8mm)	43 5/8" (1107.6mm)
NEFBD50H-SS	50" (1270mm)	18 3/8" (467.2mm)	9" (228.6mm)	17 11/16" (450mm)	47 9/16" (1207.8mm)	8 1/16" (205.2mm)	12" (304.8mm)	43 5/8" (1107.6mm)

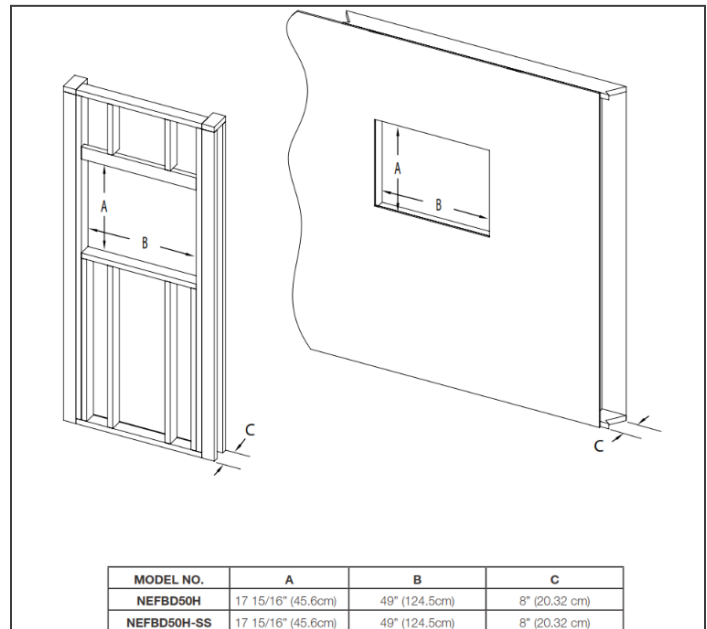
CLEARION™ SERIES ELECTRIC FIREPLACE

Clearances

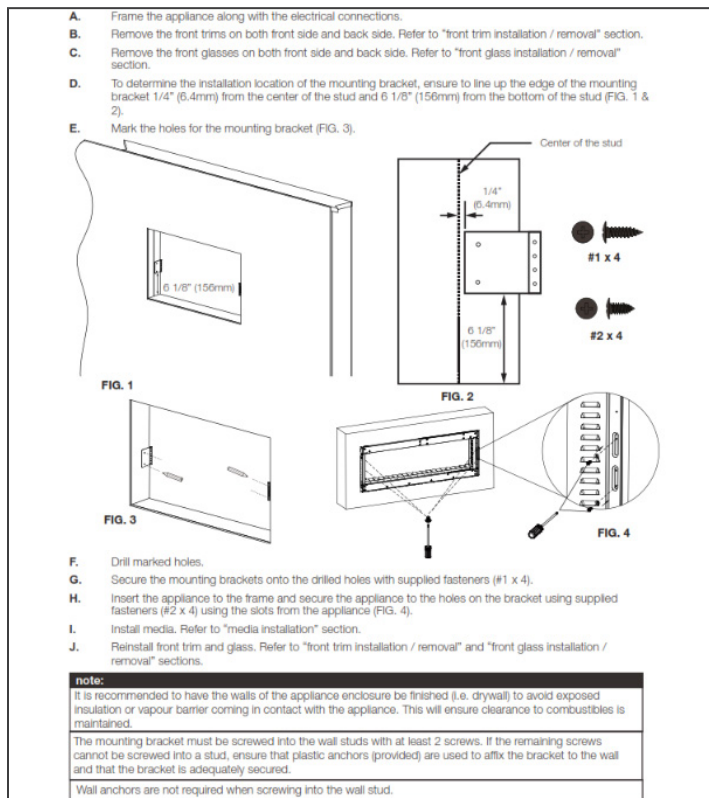
Minimum Fireplace Clearances



Framing



Appliance Installation



3.2 hard wiring installation

WARNING

- Turn off the appliance completely and let cool before servicing. Only a qualified service person should service and repair this electric appliance.

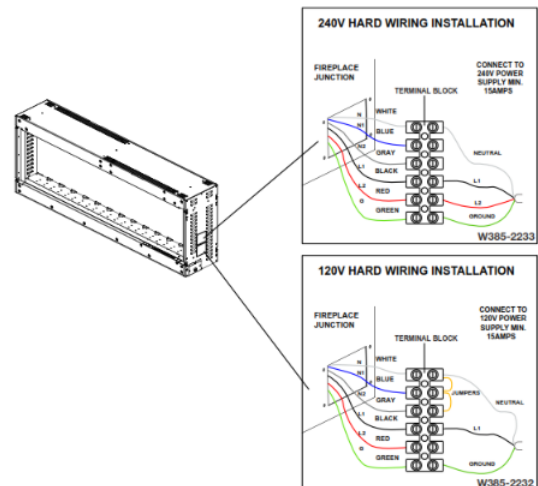
HARD WIRING CONNECTION

If it is necessary to hard wire this appliance, a qualified electrician must remove the cord connection, and wire the appliance directly to the household wiring. The wire and power supply breaker must rated for 120V minimum 15 amps.

This appliance must be electrically connected and grounded in accordance with local codes, if hard wired. In the absence of local codes, use the current CSA C22.1 CANADIAN ELECTRICAL CODE in Canada or the current ANSI/NFPA 70 NATIONAL ELECTRICAL CODE in the United States.

note:

There are 6 wires from the appliance junction box: 1 green (G), 1 white (N), 1 blue (N1), 1 gray (N2), 1 black (L1), and 1 red (L2).



Product information provided is not complete and is subject to change without notice. Please consult the installation manual for the most up to date installation information.