



# Heat Management Kit Installation Instructions

## Model: HMK

### ▲WARNING!

The HMK (heat management kit) must be vented to the exterior of the structure. No installation should ever allow the vents to terminate inside a structure or any other means outside of what is outlined below. The HMK must be installed on the same wall as the AVFLSTSSODK outdoor kit and exit directly above the unit.

The heat management kit (HMK) is designed to work only with the AVFLSTSSODK outdoor kit on the AVFLST42 fireplace and must be vented to the exterior of the home or structure. This kit combined with the AVFLSTSSODK brings the option of warmth from the AVFLST42 to an outdoor space with a simple set of shutters that can be opened or closed while the unit is off and cool.

This kit must be installed before the fireplace is finished in its final position.

### KIT CONTENTS:

- Top flex adapters..... 2
- #8 x 1/2" ss self tapping screws..... 6
- 6 1/2" Gear clamps ..... 4
- Quietflex flex pipe ..... 1
- 90 Degree 6x4x10 boots ..... 2
- Stainless steel grill covers..... 2

### TOOLS/ SUPPLIES REQUIRED:

- Phillips screwdriver
- Hammer
- Flat head screwdriver
- Caulk gun and caulk suitable for outside use
- Noncombustible material to finish around outside vents

**NOTE:** The Heat Management Kit can only be installed with the use of the AVFLSTSSODK on an exterior wall and must be vented outdoors. The flex can be run vertically in a range of two feet (2') from the top of the unit up to six feet (6') from the top of the unit. The vents must be 18" from soffit and 8" from vinyl and trimmed in a noncombustible material (not supplied.)

### Installation Instructions

1. Locate the two knockouts on the top of the unit, (Figure 1), and remove.

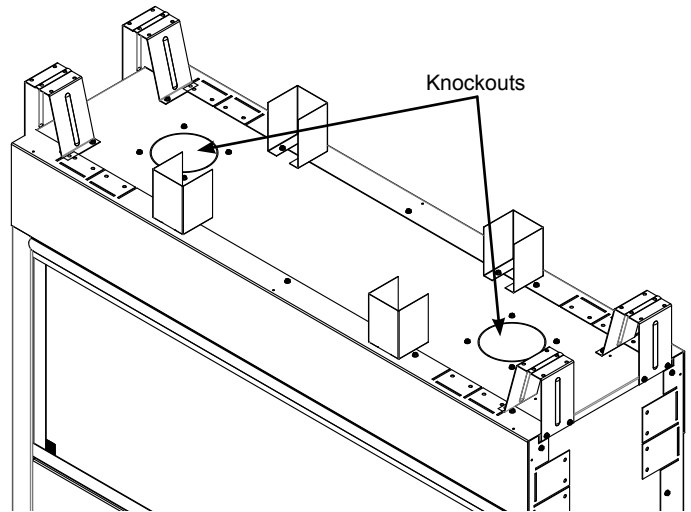


Figure 1. Remove knockouts

2. Place one 6" starter collar on the top of the fireplace and center over the left knockout opening. Secure with 3 supplied self-drilling screws. Repeat with the second starter collar over the right knockout opening. (Figure 2)

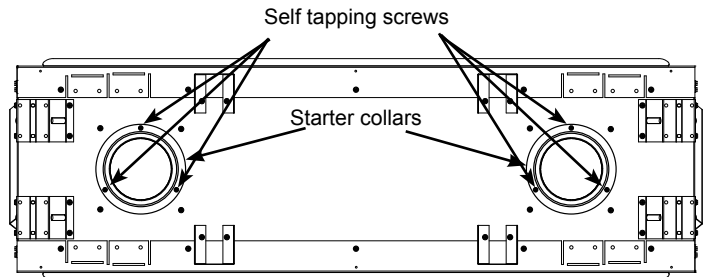


Figure 2. Attaching 6" starter collar

- To locate the boot position in an exterior wall, start by selecting the desired height of the vents inside a range of 2' minimum to 6' maximum, keeping in mind the top of the grills must have an 18" clearance to soffit. (Figure 5). Use the bottom lip of the 4"x10" opening of the boot and top surface of the unit to determine height.

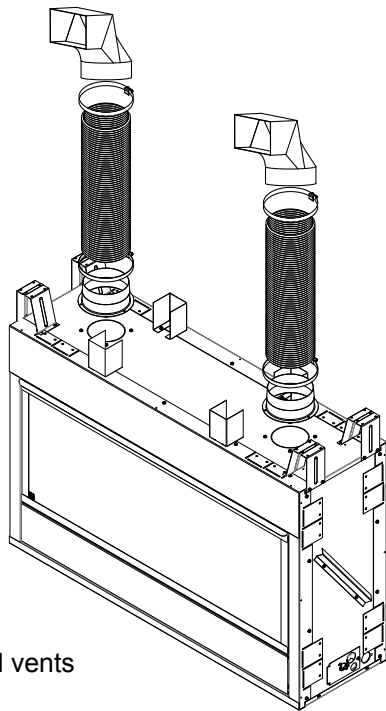


Figure 3. Install vents

- Keeping both boots at the exact same height from the unit and in line vertically with the 6" started collars on the unit; cut a 4"x10" opening into the exterior wall. Insert the 4"x10" opening of the boot into the cutout in the exterior wall with the 6" round opening of the boot inside the structure and facing down. Fold the lips of the 4"x10" boot out and secure to the exterior wall. (Figure 4)

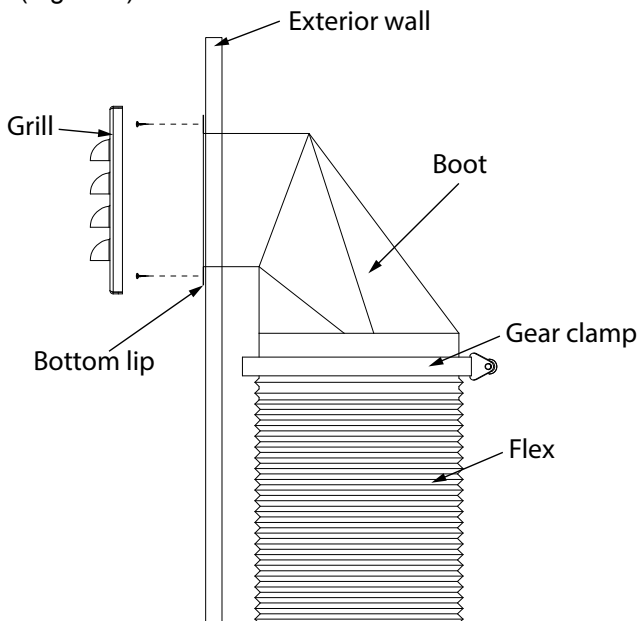


Figure 4. Boot and grill installation

- Using a caulk suitable for outdoor use, seal around the boot completely filling any voids that are between the boot and exterior wall.

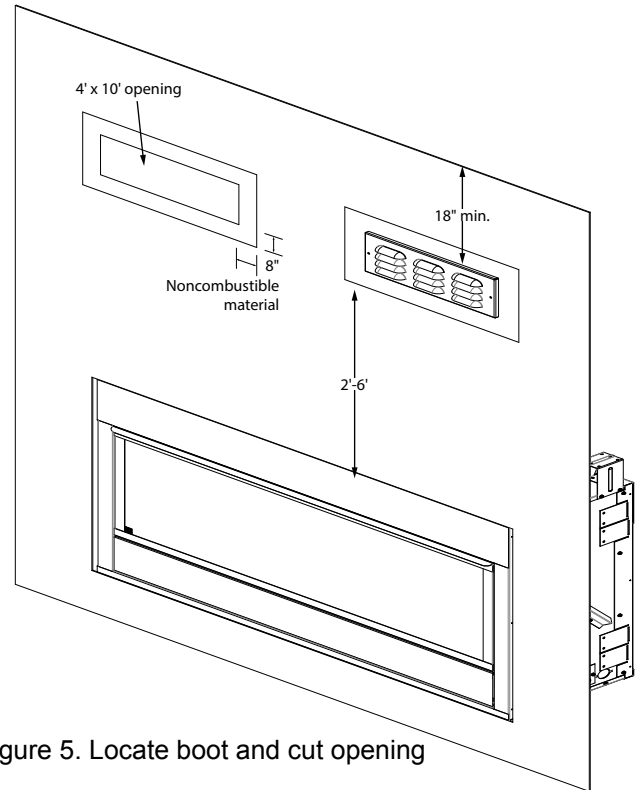


Figure 5. Locate boot and cut opening

- Determine the desired length of the flex between the 6" starter collar and the 6" opening of the boot. Expand the flex completely before cutting to length. Allow a minimum of 3" on top and bottom to overlap the collars and boots.
- Fold the flex outer jacket and insulation back, exposing 3" of the inner flex. Slide the inner flex over the 6" starter collar and secure using the 6 1/2" gear clamp provided. After clamp is tight the insulation and outer jacket can be pulled back into place.
- Finish 8" minimum around the opening of the vent on the exterior wall with a noncombustible material (not included) before attaching the exterior grills with the louvers facing down (Figure 5)
- Seal around the exterior edges of the grills with a caulk suited for outdoor use to eliminate any moisture from entering the wall or grill assembly

(Continued on next page.)

10. Remove the screen from the unit and locate the two vent covers on the inside top of the firebox. Remove the screws holding the shutters in place and slide the shutters in place and slide to the center of the unit until completely open. (Figure 6). Opening shutters will allow heat to the exterior of the structure through the HMK.

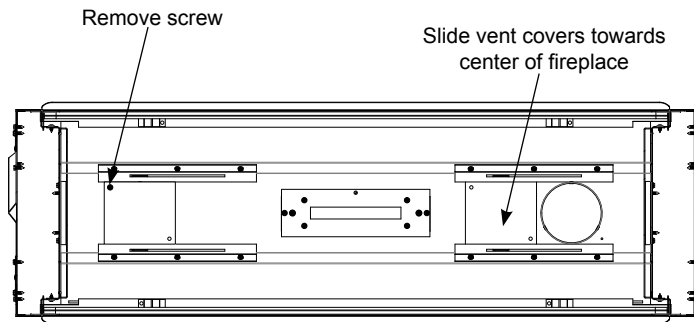


Figure 6. Opening vents (interior of fireplace)

**NOTE:** After installation is complete the two shutters can be closed while the unit is turned off and is completely cool to keep the heat of the unit inside and reopened before operation to allow heat into an outdoor space.



LOVE AT FIRST LIGHT

149 Cleveland Drive • Paris, Kentucky 40361  
[www.monessenhearth.com](http://www.monessenhearth.com)