

PRODUCT SPECIFICATIONS

VFF36(L/C)(V/I) Aria Vent Free Fireplace System



LOVE AT FIRST LIGHT



VFF36L with Berkley Oak log set and Cinnamon firebrick liner



VFF36C with Black magic glass liner and Diamond and Onyx fireglass

ACTUAL DIMENSIONS

Actual size: 41"W x 34½"H x 20⅝"D x 32"RW
(1041 mm x 876 mm x 524 mm x 813 mm)
Viewing area: 36"W x 21¾"H
(914 mm x 553 mm)
Framing Dimensions: 41¼"W x 35"H x 17½"D
(1048 mm x 889 mm x 445 mm)

STANDARD FEATURES

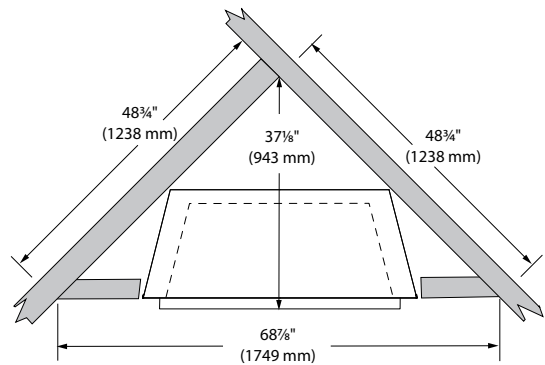
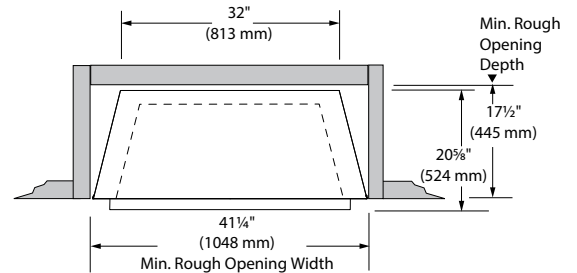
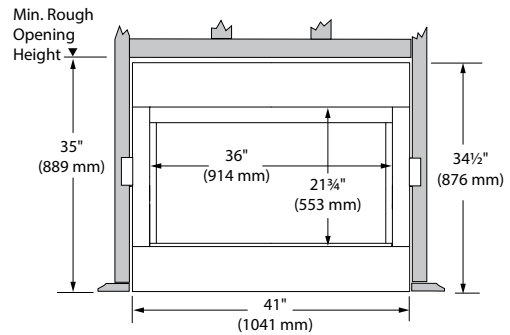
- Zero clearance, ventless design
- Available in a traditional style with Natural Blaze burner and choice of log sets, or with fireglass media kit and a contemporary burner
- Mesh screen front
- Easy access control panel
- Millivolt or EcoLogic® IPI control

FIELD INSTALLED ACCESSORIES

- Variety of fireglass media options (contemporary only)
- Choice of Kentucky Wildwood or Berkley Oak log sets
- Cinnamon firebrick, Black Magic or Black porcelain panels
- Remote controls — RCB, RCMT, TSMT, RCST, TSST
- Variable thermostat controlled blower, 135 cfm

TECHNICAL INFORMATION

- BTU/HR Input: 37,000 Max. / 25,000 Min. (NG)
36,000 Max. / 28,000 Min. (LP)
- Ignition System: Millivolt or IPI Control
- Thermal Efficiency: Up to 99.9%
- Clearances - to Combustibles: 0" on all sides
firebox opening to combustible side wall: 9" minimum
firebox opening to ceiling: 42" minimum
Mantel clearance: 10" minimum
- Gas Line: 18" Flex line w/shut off 1/2" FPT
- CSA Design Certified



149 Cleveland Drive, Paris, Kentucky 40361
www.monessenhearth.com

To avoid personal injury or property damage, the product described by this brochure must be installed, operated and maintained in strict compliance with the instructions packaged with the product and all applicable building or fire codes. Contact local building or fire officials about restrictions and installation inspection requirements. All photographs and drawings on this brochure are for illustrative purposes only and are not intended for, nor should they be used as a substitute for the instructions packaged with the unit. Appearance and specifications of the product are subject to change without notice. 0915v1 © 2015