

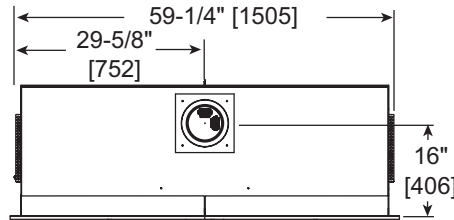
**MAJESTIC**

Please consult the manufacturer's installation manual for all details and requirements before making a final design layout decision.

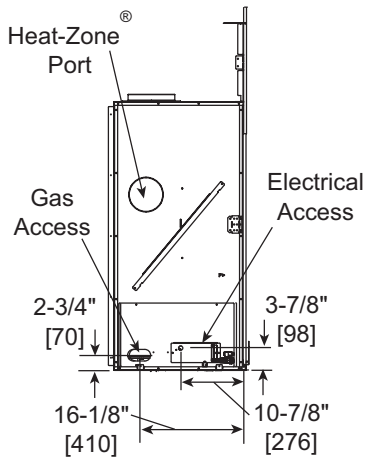
**MARQUIS II 36**  
Direct Vent Gas Fireplace

MODEL	HEIGHT		FRONT WIDTH		BACK WIDTH		DEPTH		GLASS SIZE
	Actual	Framing	Actual	Framing	Actual	Framing	Actual	Framing	
MARQ36IN	57-5/8" [1464]	56" [1422]	61" [1549]	59-1/2" [1511]	59-1/4" [1505]	59-1/2" [1511]	24" [610]	24" [610]	35-7/8" x 31-1/16" [911 X 789]

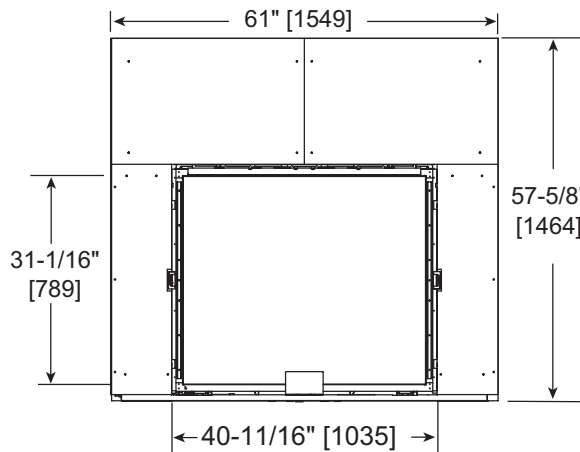
**TOP VIEW**



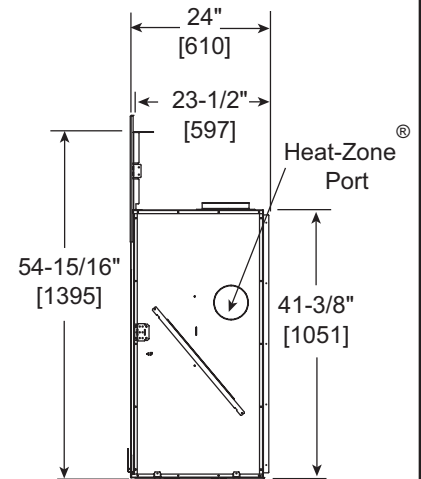
**LEFT SIDE**



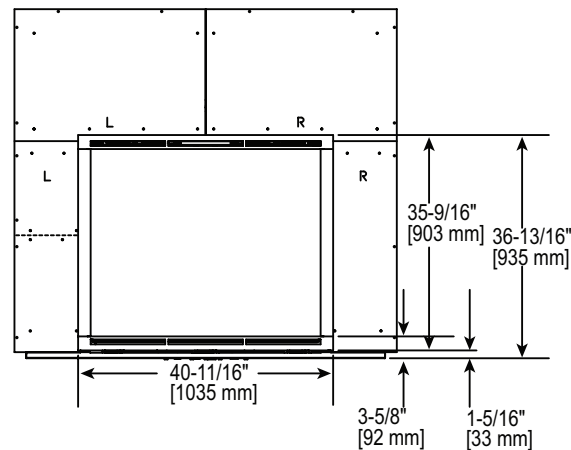
**FRONT VIEW**



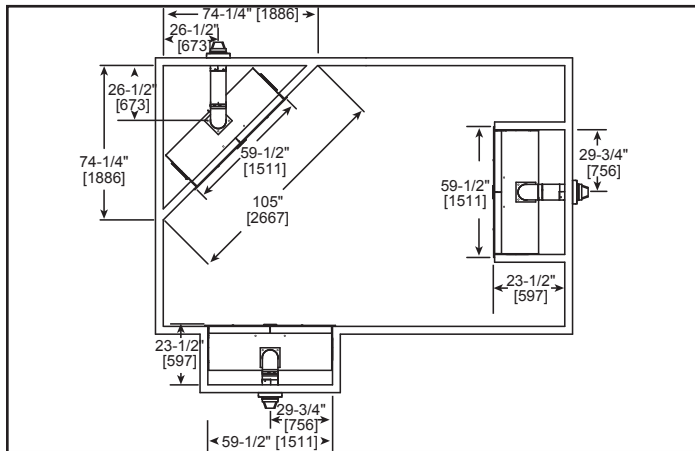
**RIGHT SIDE**



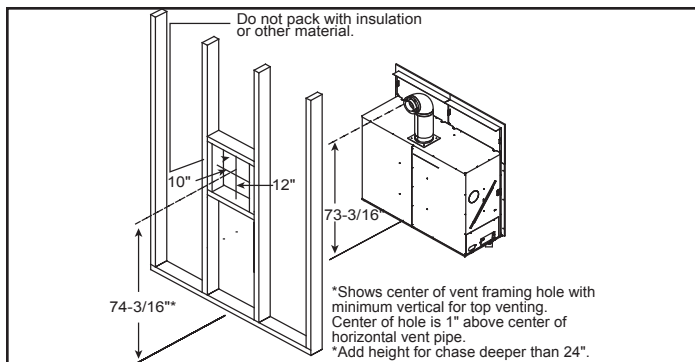
**DECORATIVE FRONT**



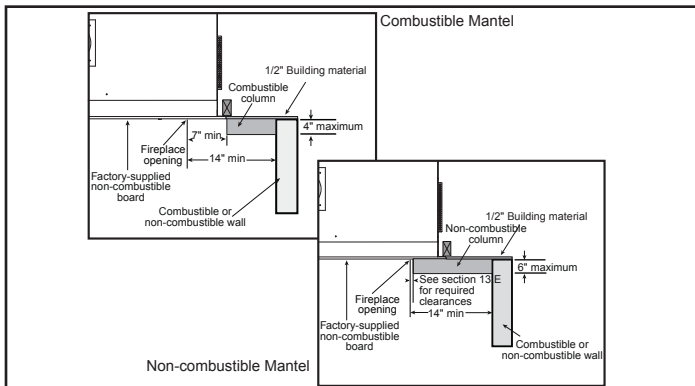
**APPLIANCE LOCATION**



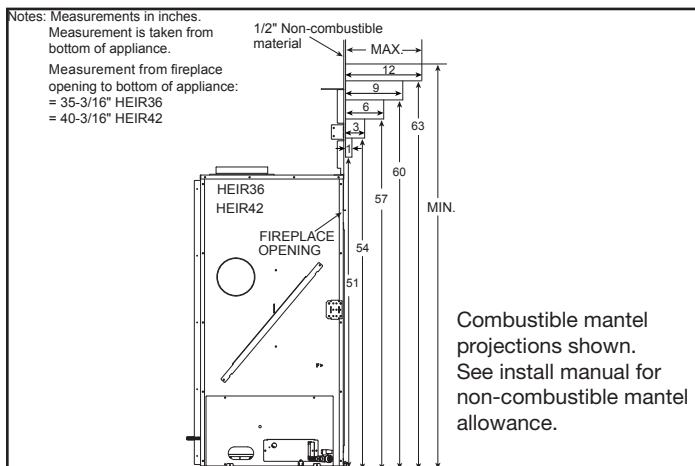
**WALL PENETRATION**



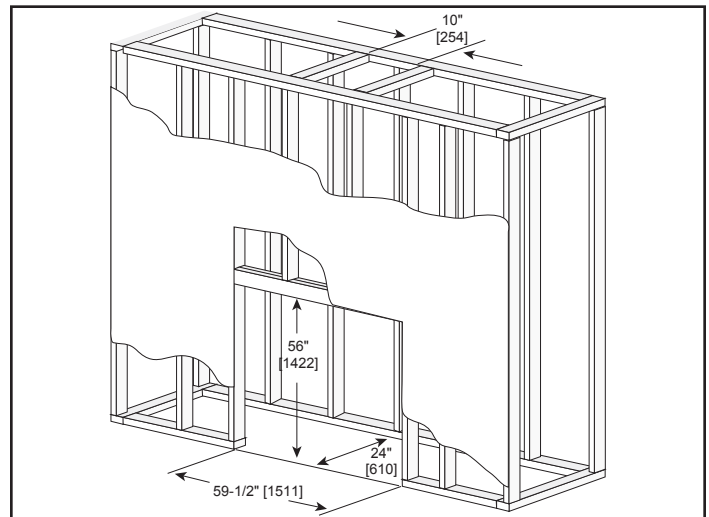
**MANTEL LEG/WALL PROJECTIONS**



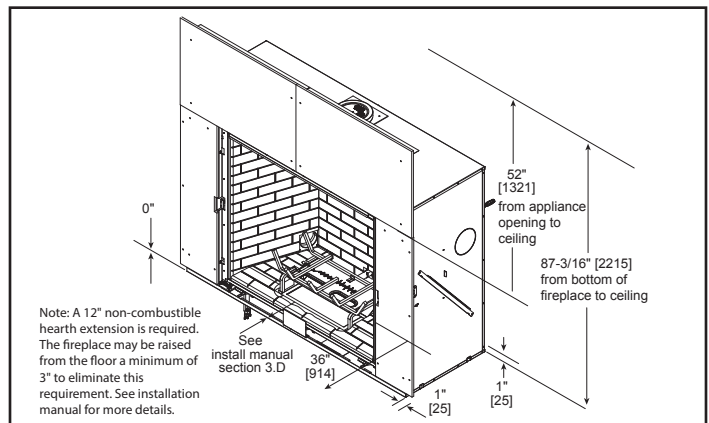
**MANTEL PROJECTIONS**



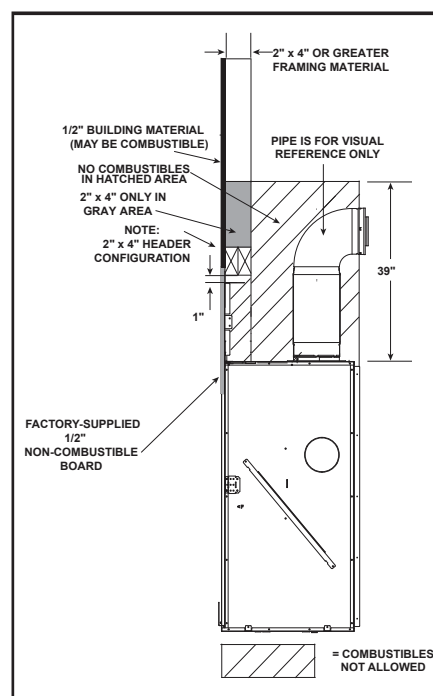
**FRAMING DIMENSIONS**



**CLEARANCES TO COMBUSTIBLES**



**NON-COMBUSTIBLE ZONE**



PRODUCT LISTING CODES	
US	ANSI Z21.88-2009
CAN	CSA 2.33-2009
	UL307B

Product information provided is not complete and is subject to change without notice. Product installation must adhere strictly to instructions accompanying product to avoid risk of fire and potential injury.