

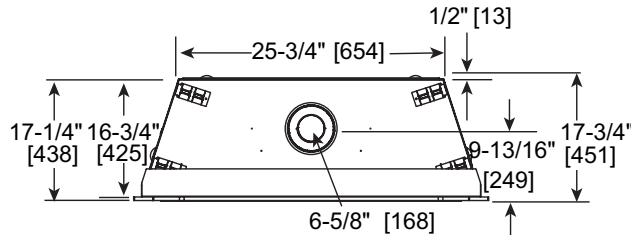
MAJESTIC

Please consult the manufacturer's installation manual for all details and requirements before making a final design layout decision.

JADE 32

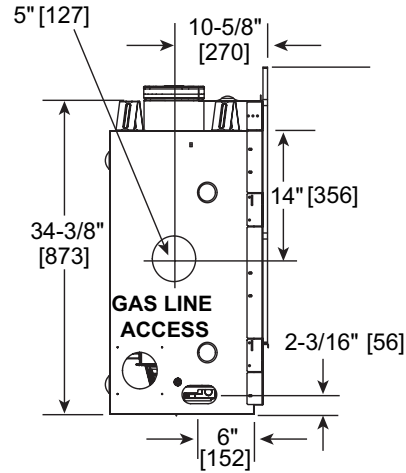
Direct Vent Gas Fireplace

MODEL	FRONT WIDTH		BACK WIDTH		HEIGHT		DEPTH		GLASS SIZE 27-1/4" x 15-1/4" (692 x 387)
	Actual	Framing	Actual	Framing	Actual	Framing	Actual	Framing	
JADE32IN JADE32IL	36" (914)	37"* (940)	25-3/4" (654)	37" (940)	38-1/16" (967)	36-1/2" (927)	17-3/4" (451)	17-3/4" (451)	

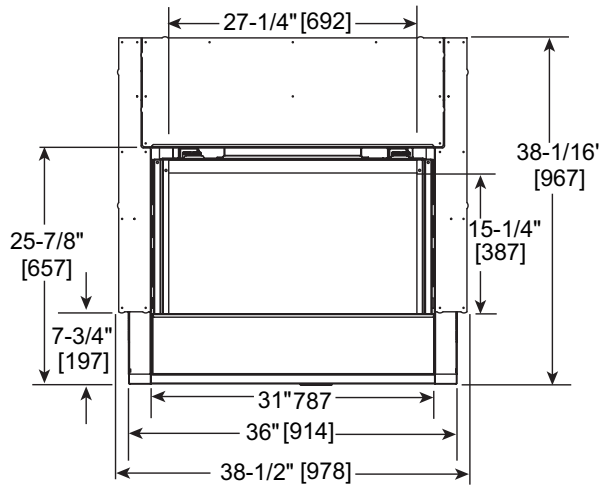


TOP VIEW

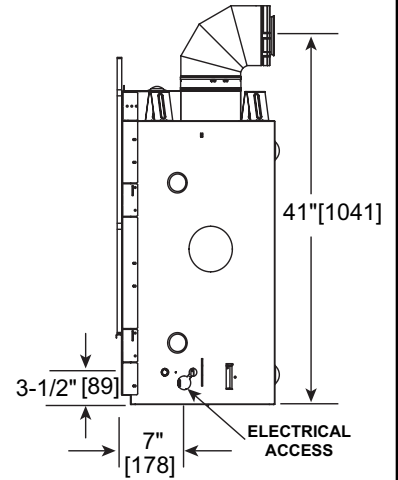
HEAT-MANAGEMENT ACCESS



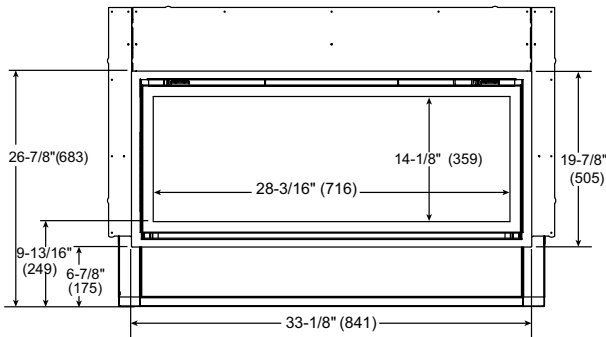
LEFT SIDE VIEW



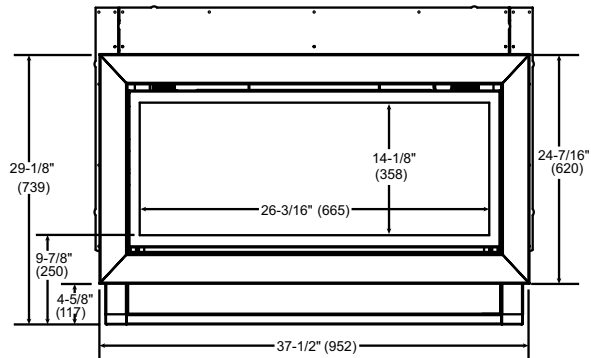
FRONT VIEW



RIGHT SIDE VIEW



CLEAN FACE TRIM



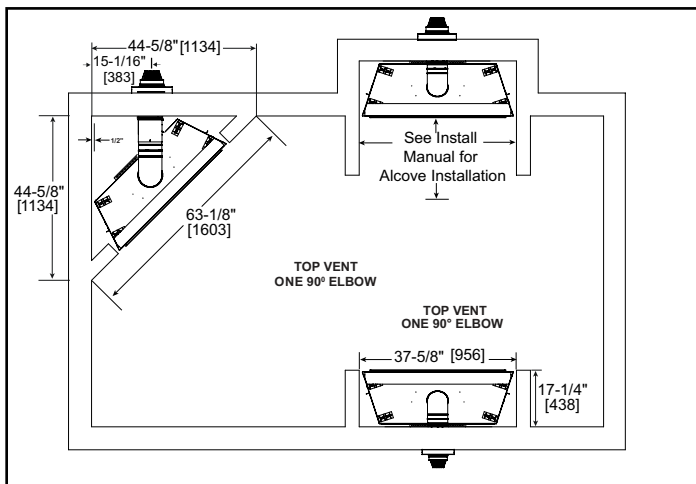
PICTURE FRAME FRONT

*Add 12" minimum for the addition or a heat management solution to each side of the unit where placing them.

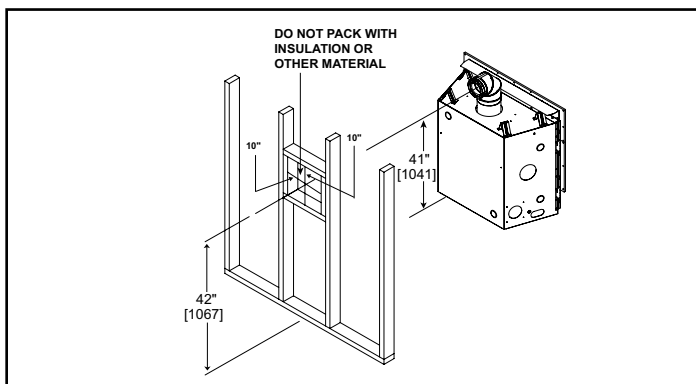
MINIMUM FIREPLACE CLEARANCES

AREA	TO COMBUSTIBLES (in inches)
CLEARANCE TO CEILING	31" (787)
COMBUSTIBLE/NON-COMBUSTIBLE FLOOR	0" (0)
BEHIND OF APPLIANCE	1/2" (0)
SIDES OF APPLIANCE	1/2" (13)
FRONT OF APPLIANCE	36" (13)

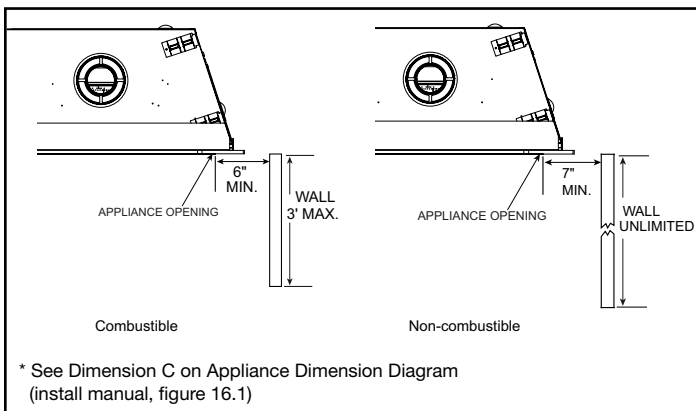
APPLIANCE LOCATION



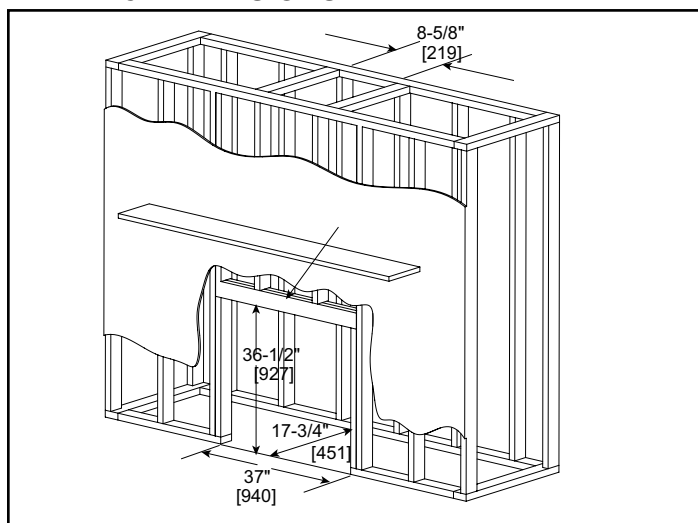
WALL PENETRATION



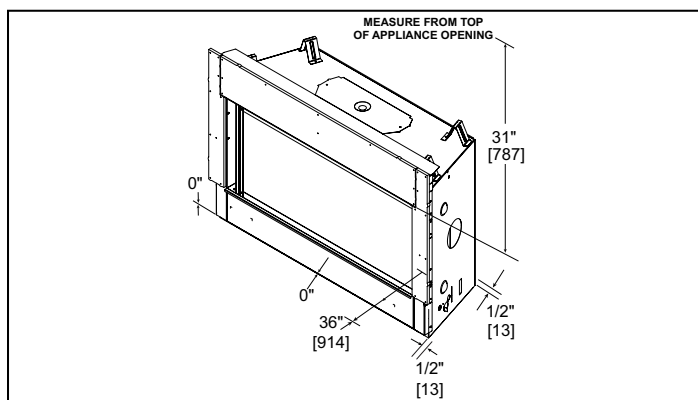
MANTEL LEG/WALL PROJECTIONS



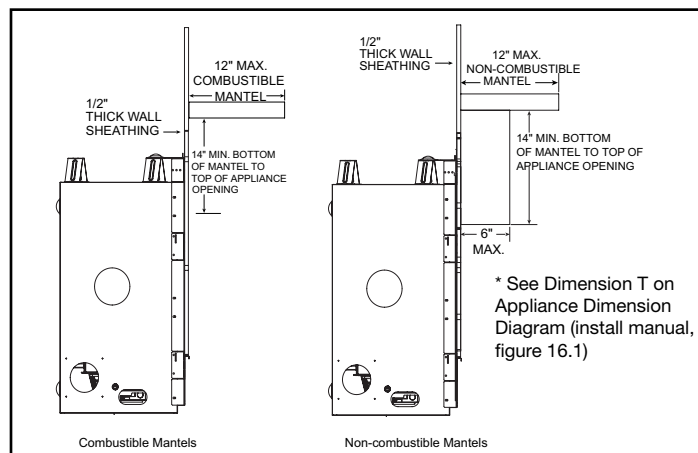
FRAMING DIMENSIONS



CLEARANCES TO COMBUSTIBLES



MANTEL PROJECTIONS



PRODUCT LISTING CODES	
US	ANSI Z21.88-2014
CAN	CSA 2.33-2014

Product information provided is not complete and is subject to change without notice. Product installation must adhere strictly to instructions accompanying product to avoid risk of fire and potential injury.

Additional information can be found online at www.majesticproducts.com