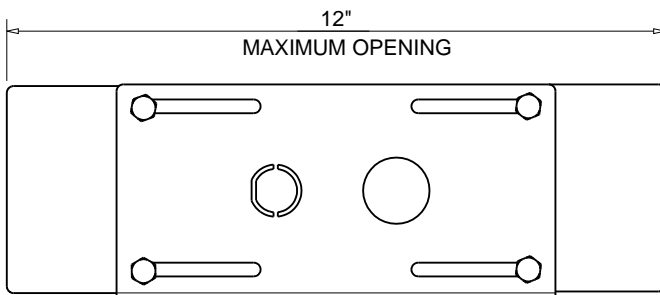
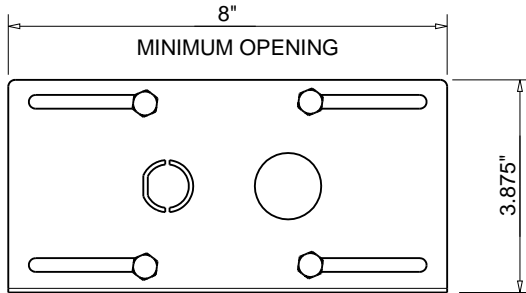


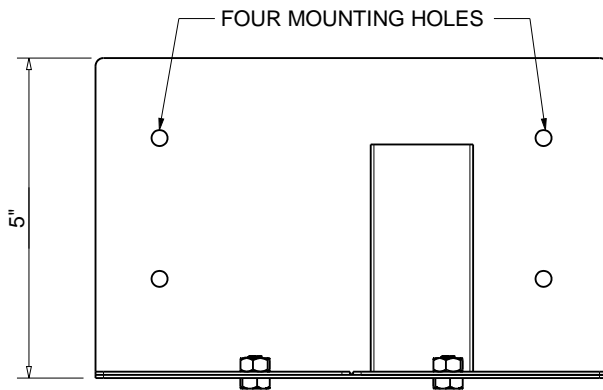


Hearth Products Controls Co
OUTDOOR USE ONLY
FOR COMMERCIAL AND RESIDENTIAL USE

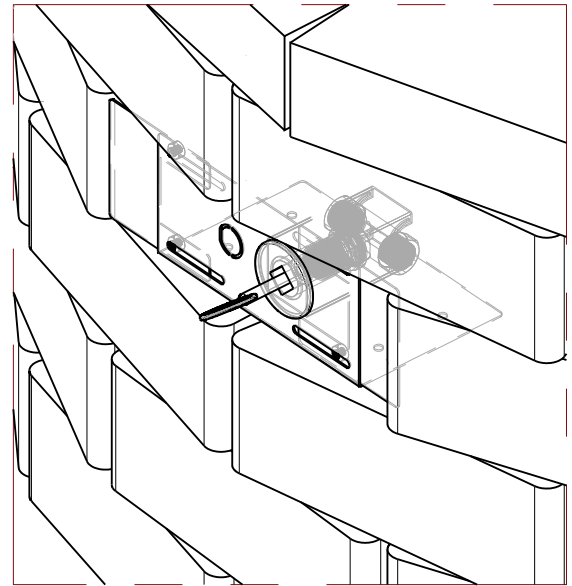
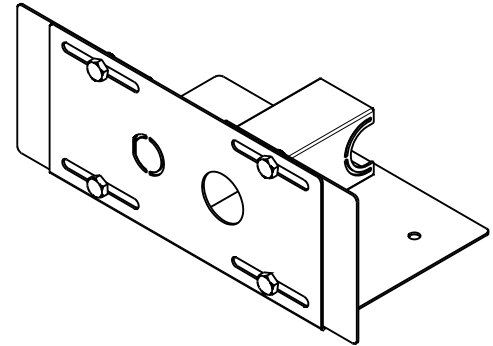
HEARTH PRODUCTS CONTROLS
3050 PLAINFIELD RD.
KETTERING, OH 45432
TOLL FREE: 1-877-433-7001
PHONE: (937) 433-7000
FAX: (937) 433-0704
www.hpcfire.com



FRONT VIEW

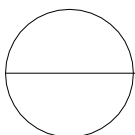


TOP VIEW



Notes:

1. MATERIAL: 304 STAINLESS STEEL (POWDER COATED BLACK.)
2. CAN BE FASTENED IN ENCLOSURE.
3. MODIFICATION OF PRODUCT WILL VOID ANY CERTIFICATION AND WARRANTY.
4. FOLLOW ALL MANUFACTURER INSTALLATION INSTRUCTIONS AND LOCAL CODES.
5. ALL DIMENSIONS ARE CONSIDERED TRUE AND REFLECT MANUFACTURER'S SPECIFICATIONS AS OF THE REVISION DATE.
6. DO NOT SCALE DRAWING.
7. THESE DRAWINGS ARE FOR SIZING AND PLANNING PURPOSES. ALL INFORMATION CONTAINED HEREIN WAS CURRENT AT THE TIME OF DEVELOPMENT. THE MANUFACTURER'S RESPONSIBLE FOR THE ACCURACY OF THE DRAWING.
7. CONTRACTOR'S NOTE: FOR PRODUCT AND COMPANY INFORMATION VISIT www.CADdetails.com/info REFERENCE NUMBER 771-049.



KVMB-PB

OPTIONAL - MLFPK FLEX SERIES PAVER BLOCK BRACKET