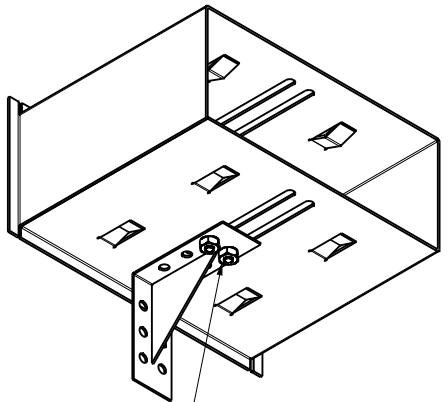
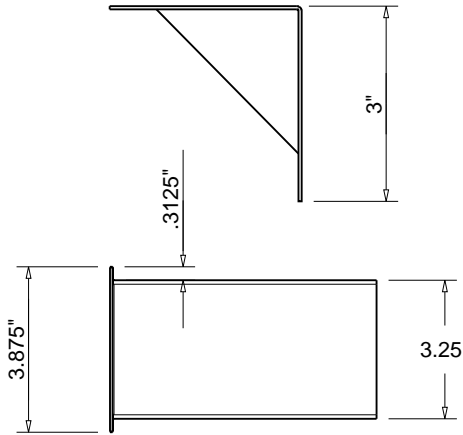
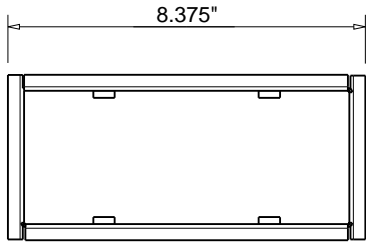
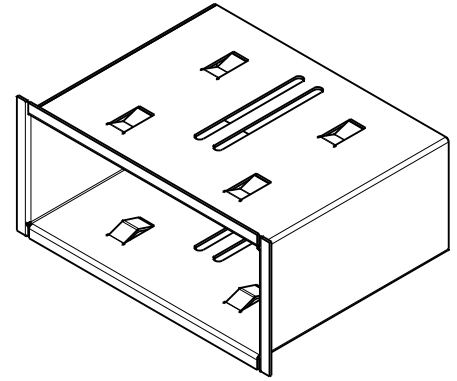
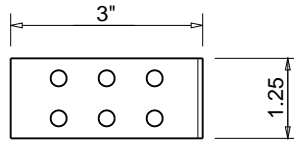
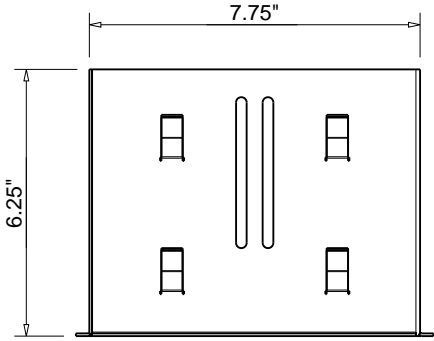




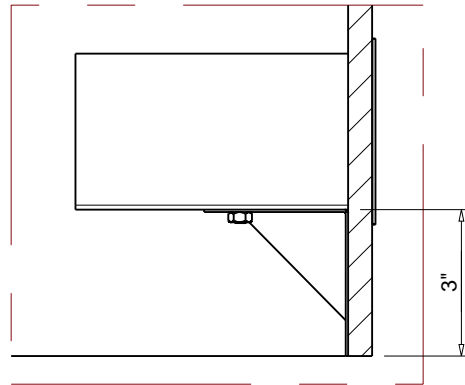
**Hearth Products Controls Co**  
**OUTDOOR USE ONLY**

**FOR COMMERCIAL AND RESIDENTIAL USE**

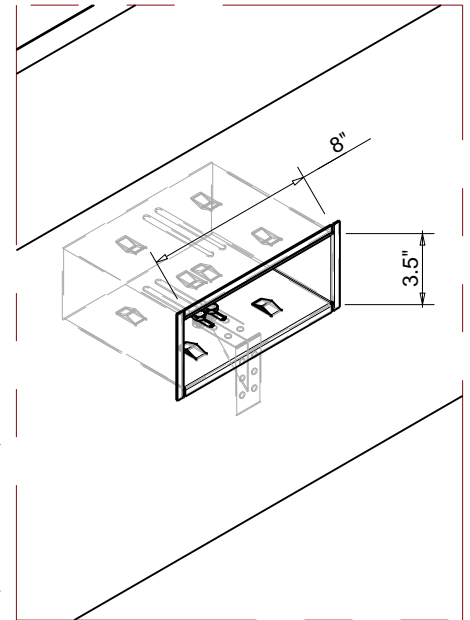
HEARTH PRODUCTS CONTROLS  
 3050 PLAINFIELD RD.  
 KETTERING, OH 45432  
 TOLL FREE: 1-877-433-7001  
 PHONE: (937) 433-7000  
 FAX: (937) 433-0704  
 www.hpcfire.com



INCLUDES 1/4X20-3/8  
 BOLT AND NUT



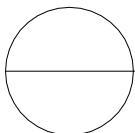
RECOMMENDED MINIMUM HEIGHT  
 FOR CUT OUT



RECOMMENDED OPENING FOR CUT OUT

**Notes:**

1. MATERIAL: 304 STAINLESS STEEL
2. CAN BE FASTENED OR MORTARED IN ENCLOSURE
3. MODIFICATION OF PRODUCT WILL VOID ANY CERTIFICATION AND WARRANTY.
4. FOLLOW ALL MANUFACTURER INSTALLATION INSTRUCTIONS AND LOCAL CODES.
5. ALL DIMENSIONS ARE CONSIDERED TRUE AND REFLECT MANUFACTURER'S SPECIFICATIONS AS OF THE REVISION DATE.
6. DO NOT SCALE DRAWING.
7. THESE DRAWINGS ARE FOR SIZING AND PLANNING PURPOSES. ALL INFORMATION CONTAINED HEREIN WAS CURRENT AT THE TIME OF DEVELOPMENT. THE MANUFACTURER'S RESPONSIBLE FOR THE ACCURACY OF THE DRAWING.
7. CONTRACTOR'S NOTE: FOR PRODUCT AND COMPANY INFORMATION VISIT [www.CADdetails.com/info](http://www.CADdetails.com/info) REFERENCE NUMBER 771-048.



FPPK-VBMS

OPTIONAL - FPPK FLEX SERIES VALVE BOX MOUNTING SLEEVE