

## BLOWER ASSEMBLY, Part: BK-ACC

**ACC SERIES WOOD STOVES**  
 2100, 3100, 4300 & 5700 Models

**ECO-CHOICE SERIES WOOD STOVES**  
 WS18 and WS22 Models

**Included in Kit:** Blower & housing, blower cord & control box switch, snap disc bracket assembly with magnet and (3) 1/4"-20 Phillips head bolts.

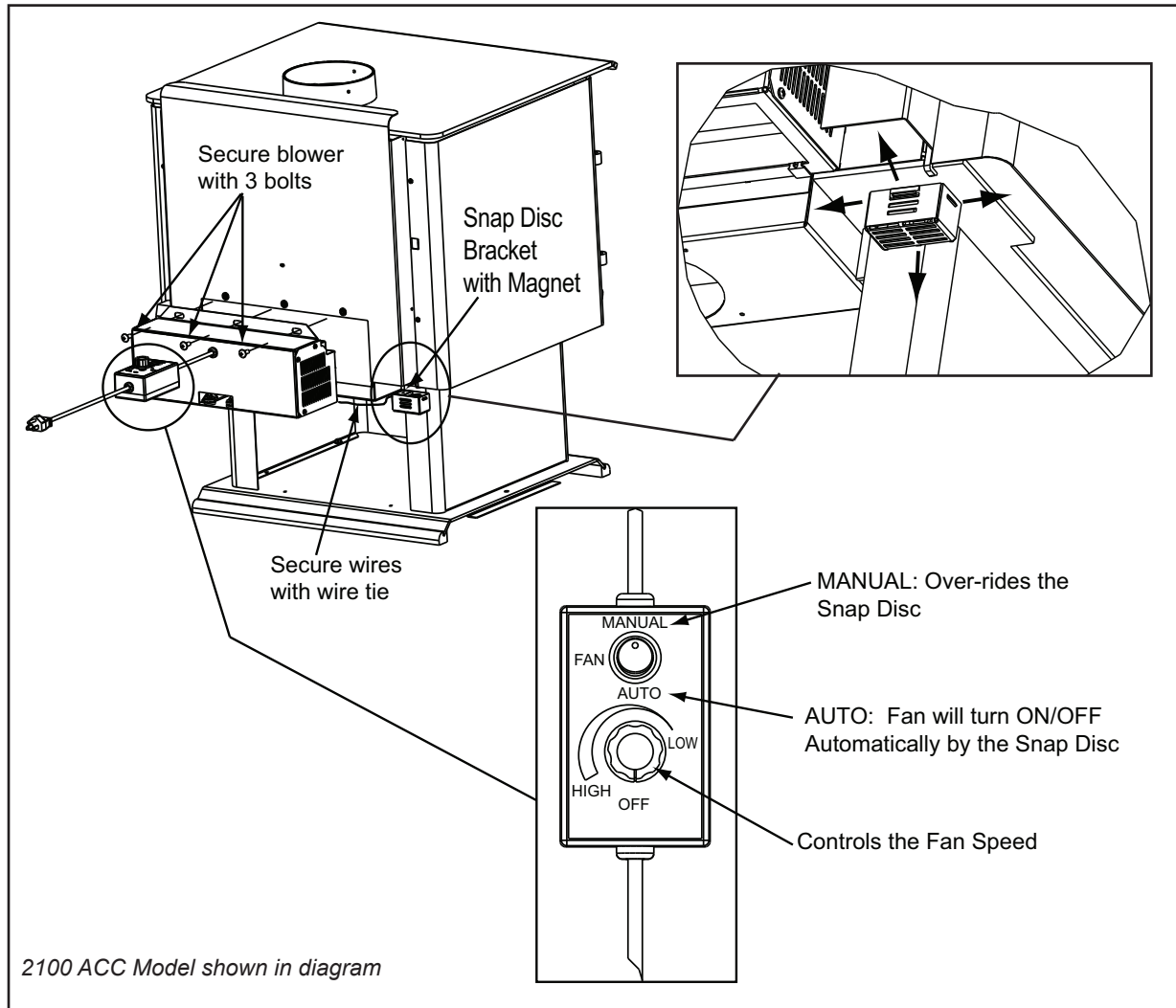
**Tools Required:** Phillips head screwdriver

1. Align holes in mounting flange of blower with bolt holes in appliance. Blower should be positioned at bottom of rear outer skin as shown in **Figure 1**.
2. Insert the 3 bolts (1/4"-20 Phillips head) on the outer skin at the bottom rear of appliance and secure blower onto outer wall of appliance.

3. Place the bracket containing the snap disc and magnet under the bottom left rear corner as shown in **Figure 1**.

### ! WARNING

- Blower must be disconnected from the source of electrical supply before attempting the installation.
- This blower is only to be used on the above listed models.



**Figure 1**