

MODEL NO. 3199-60

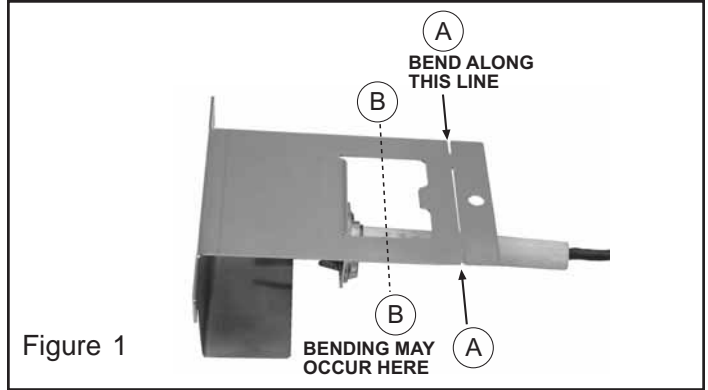


Figure 1

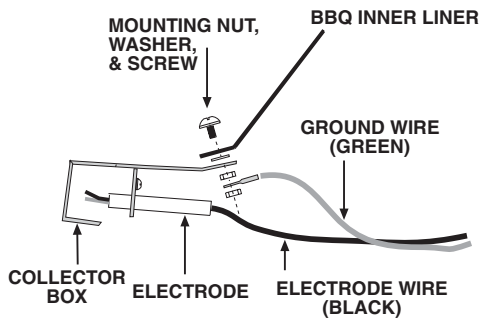


Figure 2

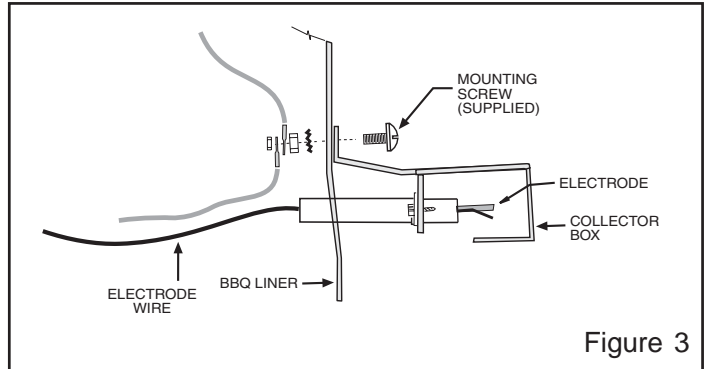


Figure 3

**REPLACING THE ELECTRODE KIT FOR
SLIDE-IN UNITS**

(see over for Regal I Drop-In units)

1. Remove the valve knobs from the face or panel.
2. Remove the screws and finish washers securing the face.
3. Carefully remove the face or top panel.

CAUTION: The spark generator may be attached to the face or panel. Carefully unplug the wires from the spark generator before pulling away from the unit.

4. Remove the nuts and the screw securing the old electrode kit to the barbecue liner and remove the old kit.
5. If the old collector box has a mounting bracket which attaches it to the barbecue liner, remove this along with the old collector box, then go to step 6.
6. Attach the new electrode kit and ground (if used) to the barbecue liner with the adjusting screw, nut and washer provided, in the method indicated in either Figures 2 or 3, whichever matches your barbecue setup. Ensure the new collector box is fitted in the same position as the old one.

Note: For all setups you will need to bend part of the collector box upwards along point A (see Figure 1). We recommend you use pliers to start, then use a flat non-slip surface to bend the metal to the right angle required, as in Figure 3. The other setup (Figure 2) may require a smaller bend, as fits the circumstance. Use the old collector box & bracket as a reference for the proper bend. When the collector box is screwed into place, ensure the outer shoulders rest firmly and squarely on the burners. Slight bending may occur across point B. This is normal and allows box to sit in the correct position.

7. Plug the wires into the spark generator (If you have a 3 plug generator ,green ground wire must go into the center plug).
8. Replace the face and knobs.
9. Check unit for spark.
10. Secure the face to frame with original face screws.

We reserve the right to amend product specifications without prior notice.

This manual may not be copied, photocopied, reproduced, translated, or published in any electronic or machine-readable form in whole or in part without prior written approval of Robert H. Peterson Co.

ROBERT H. PETERSON CO. • 14724 East Proctor Avenue • City of Industry, CA 91746

Note: This kit may include a part or parts not needed for every installation.

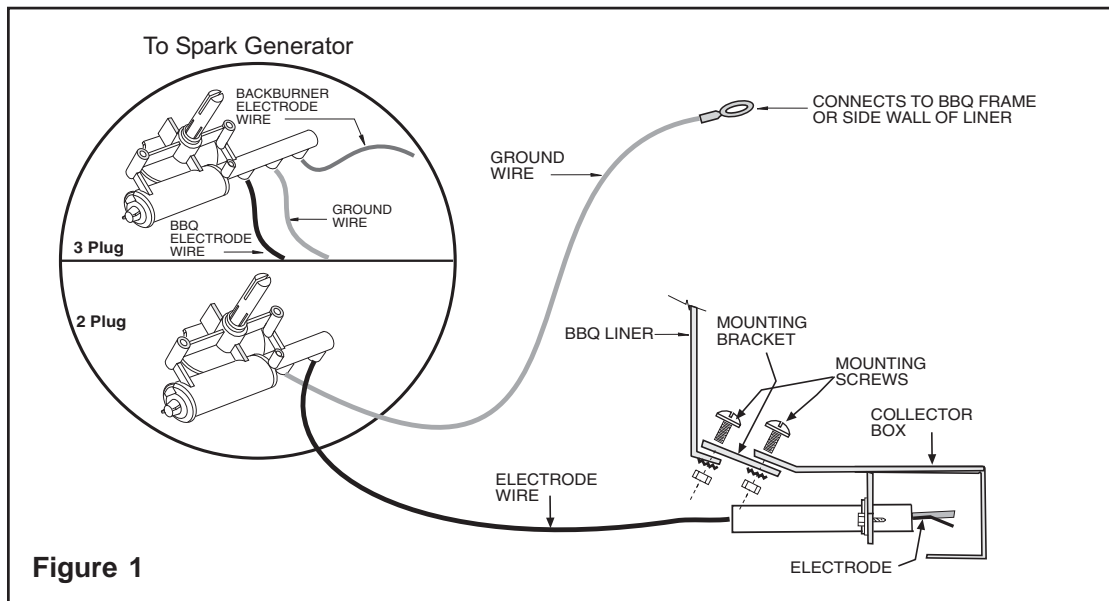


Figure 1

1. Remove the valve knobs from the top (control) panel.
2. The panel is secured to the barbecue frame by four spring clips. With the oven open, lift up firmly from the inside front left and front right corners of the panel frame.
3. After the front spring clips release, carefully remove the panel from the unit.

CAUTION: The spark generator is attached to the control panel. Carefully unplug the wires from the spark generator before lifting the panel clear away from the unit.

4. Remove the screw and nut securing the old electrode kit to the barbecue liner and remove the old kit.

Note: The new electrode wire will be easier to install if the following procedure is followed:

- a. Tie one end of the enclosed string to the end of the old electrode wire that plugged into the spark generator.
- b. Pull the wire, with the string attached, into the barbecue firebox.
- c. Cut the string off the old wire and tie it to the new electrode wire. Pull the string and plug end of the new wire from the firebox into the area below the control panel.

5. Attach the new electrode collector box assembly to the barbecue liner with the screws and nuts provided as shown in Figure 1.

Note: A mounting bracket is needed to fasten the new collector box to the barbecue liner.

6. If the mounting bracket is not attached to the barbecue liner as illustrated in Figure 1, bend the old electrode out of the way and remove the adjusting screw from the mounting bracket at the top of the old collector box assembly. Attach the new collector box and electrode to the old mounting bracket with the adjusting screw (Figure 1).
 7. A replacement ground wire is provided with a ring which can be placed over the front $\frac{1}{4}$ " manifold mounting screw and secured with the extra $\frac{1}{4}$ " nut provided.
 8. Plug the wires into the spark generator.
- IMPORTANT:** If your unit has a 3 plug spark generator, the ground wire must be plugged into the middle position. For 2 plug spark generators, the wires can be plugged into any position.
9. Replace the control panel, pressing down firmly to snap over the spring clips. Align the control panel and replace the valve knobs.