



# Drop-in Refreshment Center

Model # 33596

**INSTALLER:** Leave these instructions with consumer.  
**CONSUMER:** Retain for future reference.



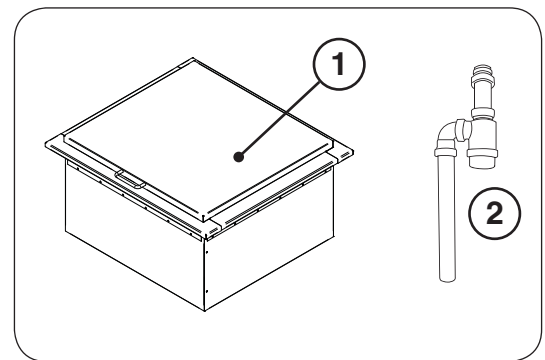
Item	Description	Part No.	Qty.
1.	Insulated lid	33596-05	1
2.	Drain kit	3596-11	1

**Table 1** Replacement parts list

Counter Cut-out Dimensions	
<b>A</b> Countertop to unit bottom <b>clearance*</b>	12 3/4"
<b>B</b> Side to side <b>cut-out</b>	25"
<b>C</b> Front to back <b>cut-out</b>	23 3/8"

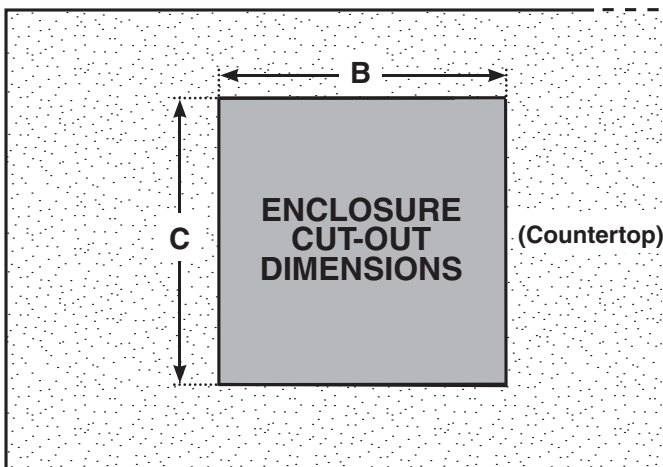
\* Drain assembly clearance must also be provided.

**Table 2** Cut-out dimensions



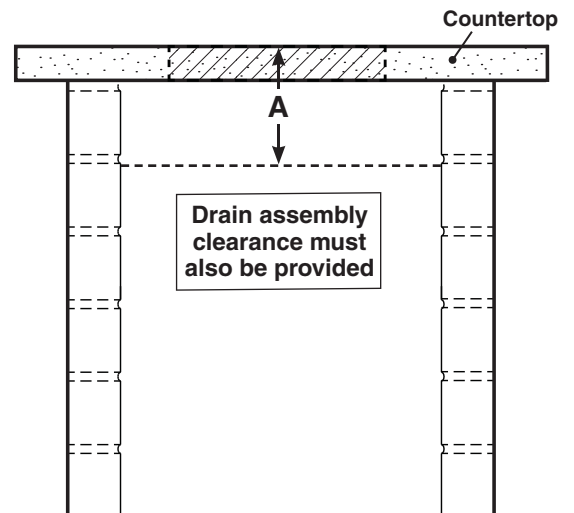
**Fig. 1-1** Replacement parts list

## TOP VIEW



**Fig. 1-2**

## SIDE VIEW



**Fig. 1-3**

**See opposite side for installation**

## INSTALLATION

To install your Fire Magic Refreshment Center, follow the steps below:

1. Create a cut-out in the countertop as specified in Table 2 (reference figures on previous page).

**Important:** Clearance below the unit must be provided for the drain assembly.

2. Drop the unit into the cut-out opening.

**Note:** If installing a countertop with an irregular/textured surface, a bead of silicone sealer may be needed.

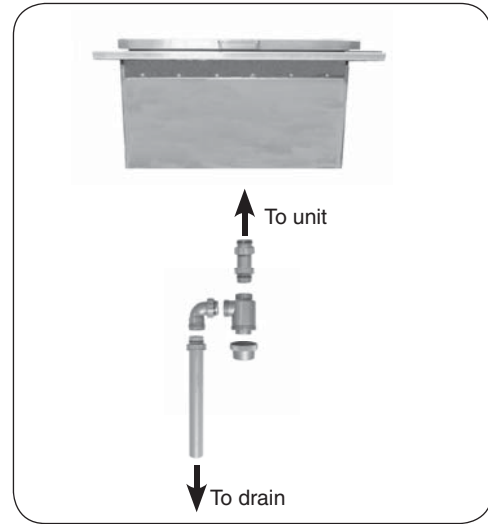
**Important:** Use care when handling the unit, so as to not damage the pre-installed drain spout assembly. DO NOT place the unit on a flat surface prior to installation.

3. Assemble and attach the supplied drain kit to the unit as shown in Fig. 2-1. Plumb to a drain or as appropriate for your installation. Observe all local codes.

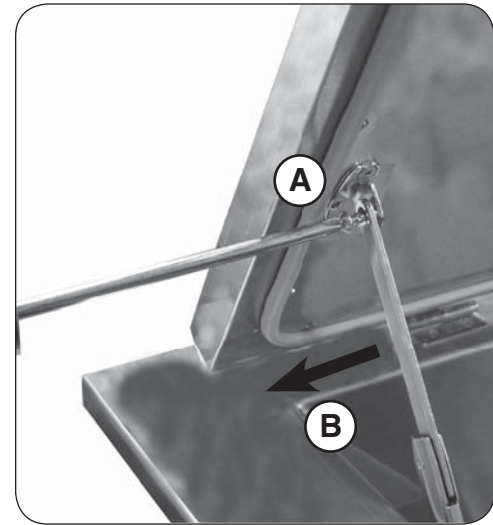
## REMOVABLE LID (OPTIONAL)

1. Remove screws from the soft down hinges on the inner left and right side (see Fig. 2-2, A).
2. Firmly press the soft down hinges to the left until they clear the bracket pins (see Fig. 2-2, B).
3. Slide the lid to the left to remove it from the unit (see Fig. 2-3).

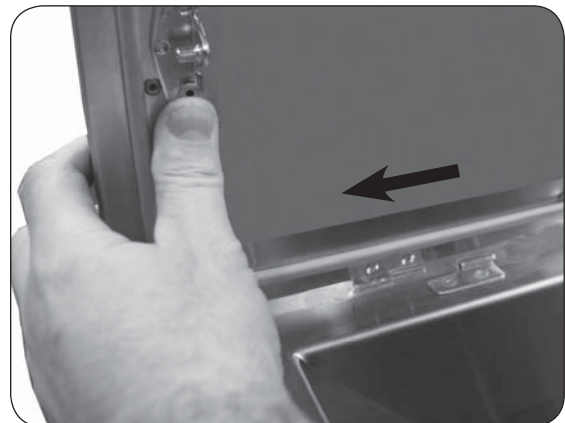
To reattach the lid reverse the previous steps.



**Fig. 2-1** Plumbing installation



**Fig. 2-2** Remove hinges



**Fig. 2-3** Remove lid