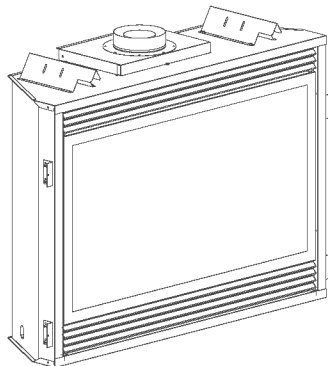




A Division of ECS
 918 Freeburg Avenue
 Belleville, Illinois 62220-2623

Phone 1-800-851-3153
 Fax 1-800-443-8648
 Web Site www.empirecomfort.com



Tahoe Luxury Direct-Vent Gas Fireplace

Millivolt Model

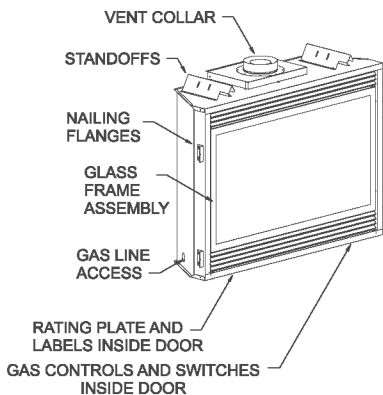
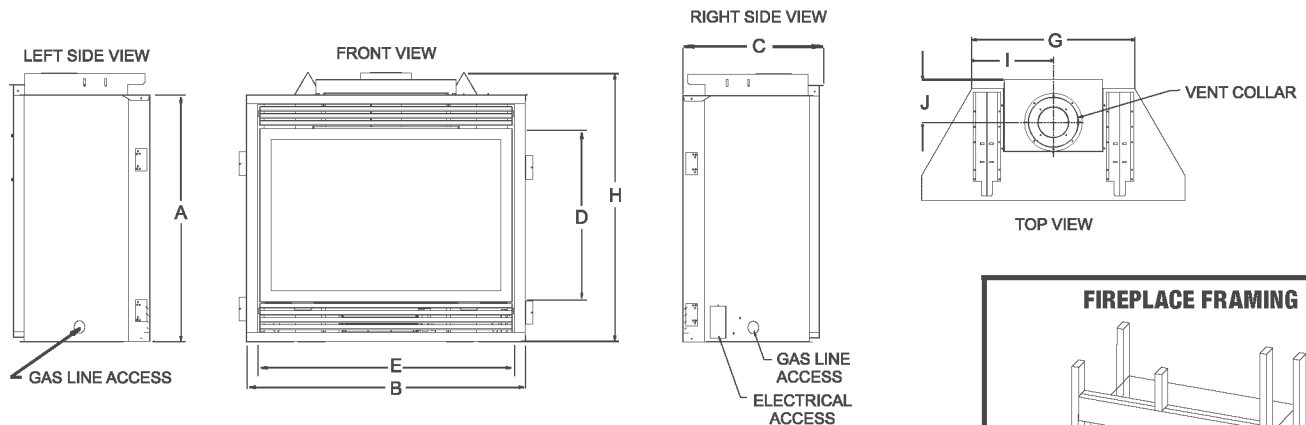
DVX36FP33, DVX42FP33

Remote RF Model

DVX36FP93, DVX42FP93

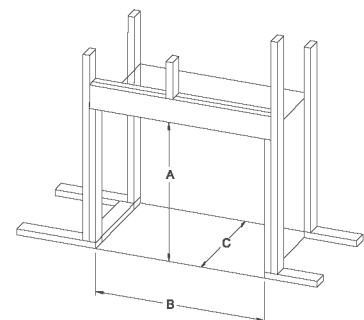
	DVX36 NAT	DVX36 LP	DVX42 NAT	DVX42 LP
Input Btu/hr Maximum	35,000	30,000	37,500	35,000
Btu/hr Minimum	24,000	21,000	26,000	24,000
Height without standoff	34 3/4" (3.2mm)	34 3/4" (3.2mm)	34 3/4" (3.2mm)	34 3/4" (3.2mm)
Width	39 3/8" (1,000mm)	39 3/8" (1,000mm)	43 3/8" (1,101mm)	43 3/8" (1,101mm)
Depth	19 7/8" (505mm)	19 7/8" (505mm)	19 7/8" (505mm)	19 7/8" (505mm)
Gas Inlet Shutoff Valve (Pipe)	1/2 NPT	1/2 NPT	1/2 NPT	1/2 NPT

FIREPLACE DIMENSIONS



	DVX36FP	DVX42FP
A	34 3/4	34 3/4
B	39	43
C	19 7/8	19 7/8
D	25	25
E	36	40
G	26 1/2	26 1/2
H	40 3/4	40 3/4
I	13 1/4	13 1/4
J	7 1/8	7 1/8

FIREPLACE FRAMING



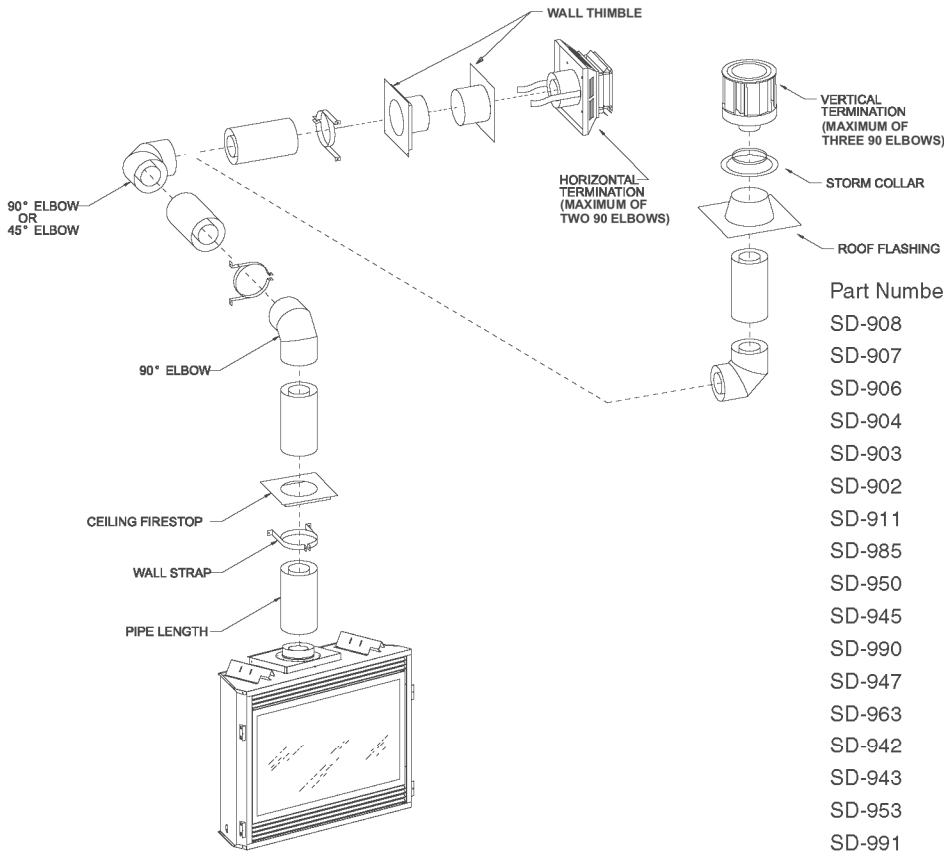
	DVX36	DVX42
A	40 7/8	40 7/8
B	39 3/8	43 3/8
C	19 7/8	19 7/8

Tahoe Luxury Direct-Vent Gas Fireplace

Model DVX36FP33, DVX42FP33, DVX36FP93, DVX42FP93

Mantel Clearances and Vent System Identification

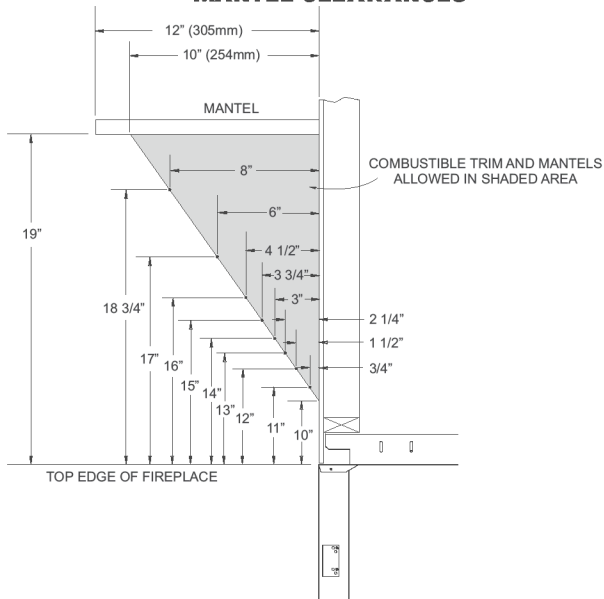
VENT SYSTEM IDENTIFICATION



Venting Components
Simpson Dura-Vent

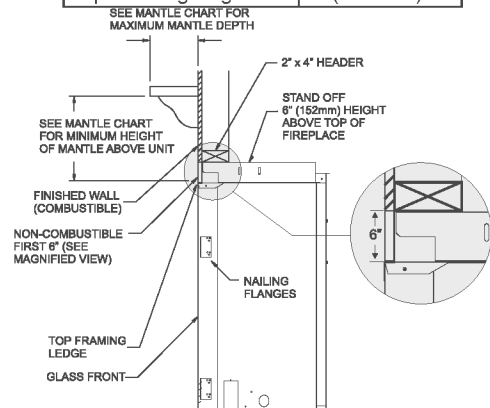
Part Number	Description
SD-908	6" Pipe Length
SD-907	9" Pipe Length
SD-906	12" Pipe Length
SD-904	24" Pipe Length
SD-903	36" Pipe Length
SD-902	48" Pipe Length
SD-911	Adjustable Pipe Length 11 - 14 5/8"
SD-985	Horizontal Square Termination Cap
SD-950	Vinyl Siding Standoff
SD-945	45° Elbow
SD-990	90° Elbow
SD-947	Wall Firestop
SD-963	Ceiling Firestop
SD-942	Wall Thimble
SD-943	Roof Flashing - 0/12 to 6/12 Roof Pitch
SD-953	Storm Collar
SD-991	High Wind Vertical Top
SD-981	36" Snorkel
SD-982	14" Firestop Snorkel
SD-988	Wall Strap

MANTLE CLEARANCES



CLEARANCES

Clearance to Combustibles	
Back	0" (0 mm)
Side	0" (0 mm)
Floor	0" (0 mm)
Top Stand-off	0" (0 mm)
Top Framing Edge	6" (152 mm)



Direct-Vent Clearances, please see Page 37
Top (DVD, DVP, DVX) Venting Graph, please see Page 39