

FOR USE WITH OL(48,60)TP OUTDOOR FIREPITS

MODELS	DESCRIPTION	KIT
WC48LSS	Weather Cover	OL48TP
WC60LSS	Weather Cover	OL60TP

Tools Needed:

- Standard screw driver.

Gloves Needed:

- Gloves are recommended during unpacking and installation.

Preparation:

1. Unpack the weather cover components and check for damaged or missing parts.

2. The handles are pre-installed to the inside of the weather cover for shipping only.
3. Remove the two handles using a standard screw driver.
4. The weather cover has a plastic protective film that must be removed.
5. Once the protective plastic is removed, re-install the two handles and screws using a standard screw driver as shown in **Figure 1**.
6. The cover assembly is complete when the handles are attached.

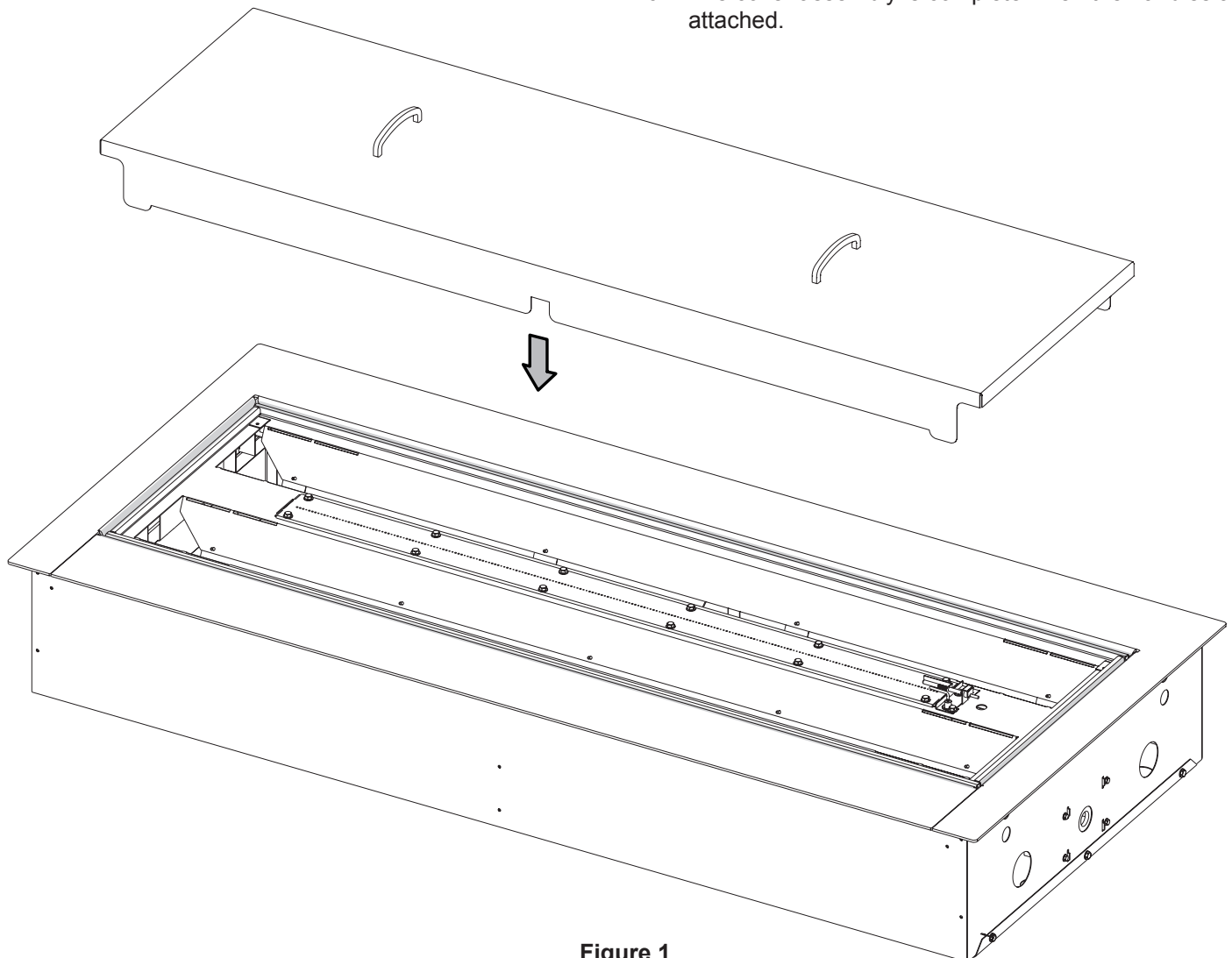


Figure 1

7. To install the weather cover, simply align the cover over the firepit as shown in **Figures 1 & 2**. The cover will nest to the outside of the filler trim pieces.

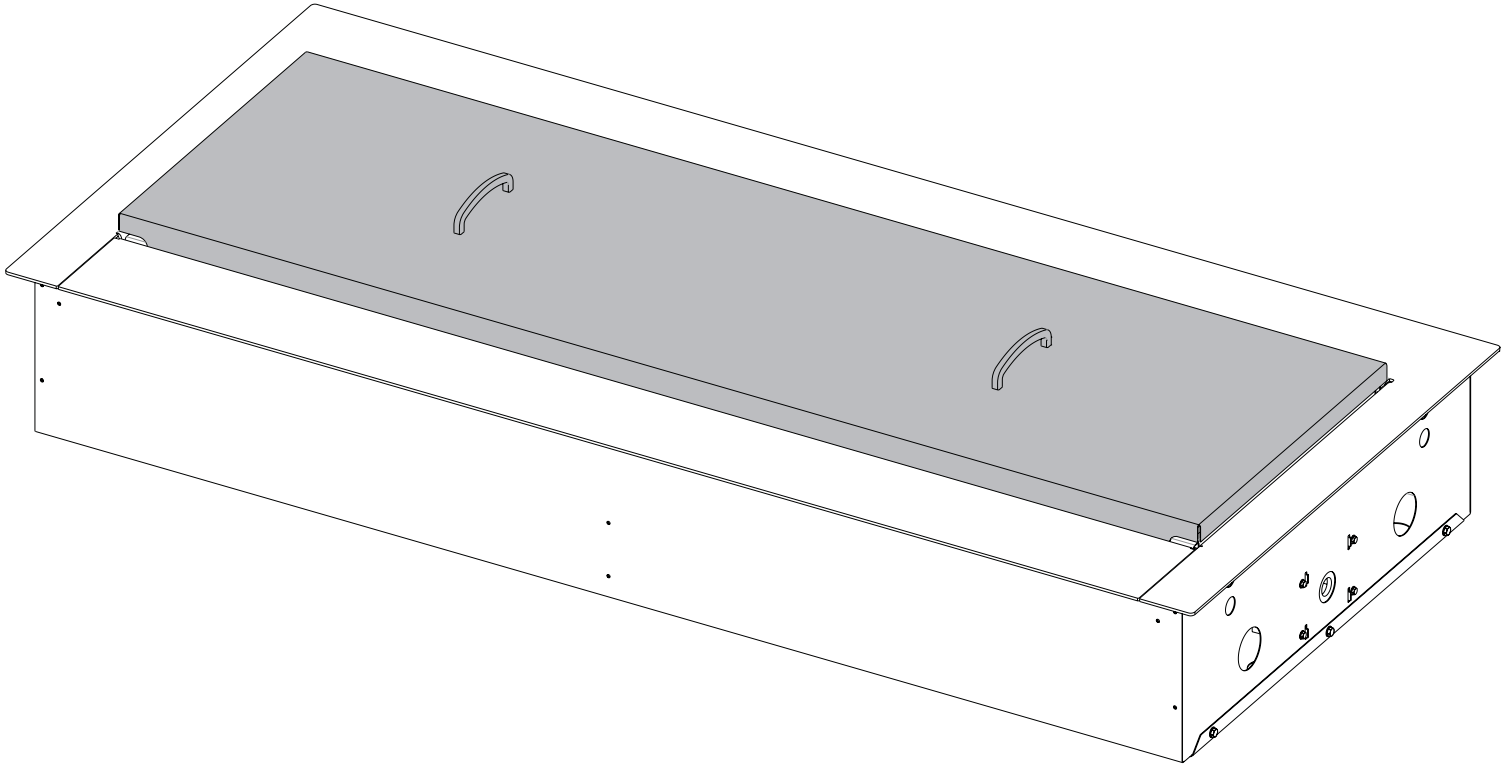


Figure 2

8. If the firepit includes the glass wind deflector kit, the weather cover will install over the top edges of the glass panels as shown in **Figures 3 & 4**.

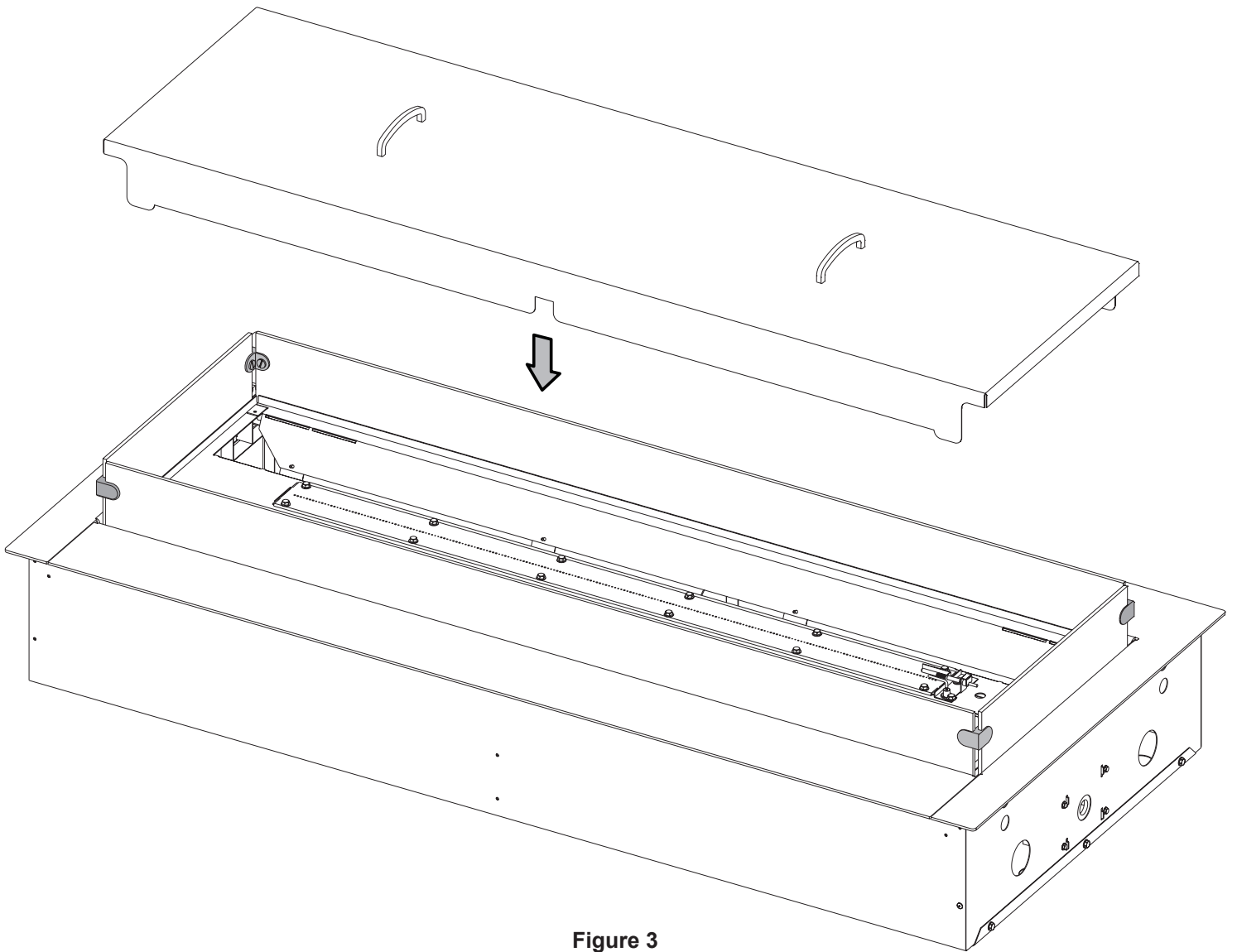


Figure 3

WEATHER COVER			
Item	Part Description	WC48SS	WC60SS
1	Cover	37782	37783
2	Handle	R7884 (2)	R7884 (2)
3	Screw	R4638 (4)	R4638 (4)



**Empire Comfort Systems Inc.
Belleville, IL**

If you have a general question
about our products, please e-mail
us at info@empirecomfort.com.

If you have a service or repair
question, please contact your dealer.

SINCE 1932

www.empirecomfort.com