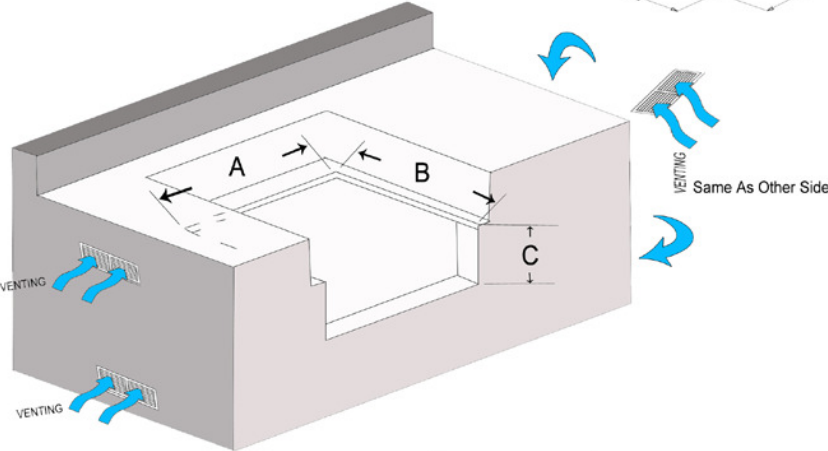
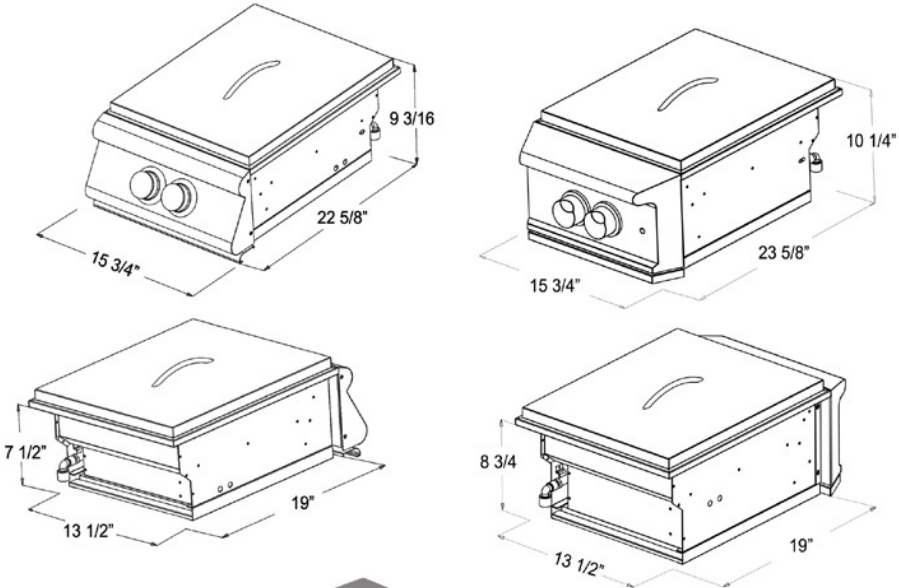


TYPICAL BUILDING DIMENSIONS



MODEL # BLZ-PB-(NG/LP)

MODEL # BLZ-PROPB-(NG/LP)



MODEL #	MODEL	A= WIDTH	B= DEPTH	C= HEIGHT
		A	B	C
BLZ-PB-(NG/LP)	STANDARD	14"	19 1/2"	8"
BLZ-PROPB-(NG/LP)	PROFESSIONAL	14"	19 1/2"	9 1/4"

