

CIS VF

 MERIT SERIES VENT-FREE GAS STOVES











**Superior**<sup>™</sup>  
FIREPLACES  
*Our name is our promise.*



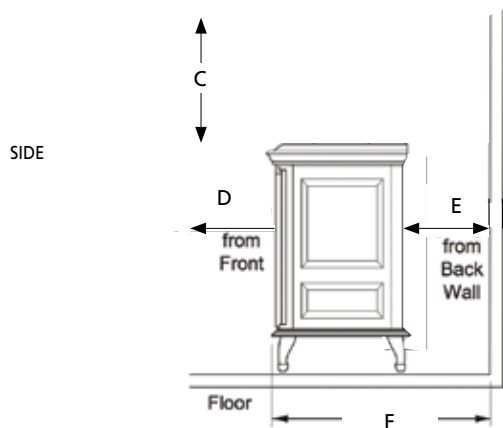
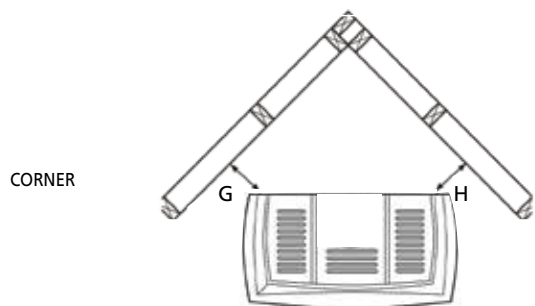
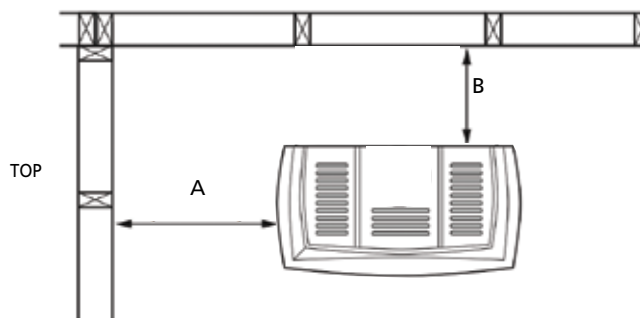
**TRADITIONAL**

With the classic look of a wood burning stove, the CIS VF cast iron stove provides the beauty, convenience, comfort and efficiency of a gas appliance.

## FEATURES

-  Cast iron stove body available in a variety of colors to complement your decor
-  Combine a cast iron stove body with the vent-free burner system to complete the look (each sold separately)
-  Millivolt (Remote-ready) dual burner provides a beautiful warm fire
-  Gas controls are conveniently hidden at the bottom of the stove for easy access
-  Provides up to 35,000 BTU's
-  Cast iron stove body includes dual operating screen doors
-  Detailed ceramic fiber logs with integrated log grate
-  Black painted interior
-  Optional remote controls available
-  20 year limited warranty

## STOVE CLEARANCES



### CIS VF

A	12"
B	6"
C	48"
D	36"
E	6"
F	24-3/8"
G	6"
H	6"

\*SQUARE-FOOT HEATING CAPACITIES ARE APPROXIMATIONS ONLY. ACTUAL PERFORMANCE MAY VARY DEPENDING UPON HOME DESIGN AND INSULATION, CEILING HEIGHTS, CLIMATE, APPLIANCE LOCATION, ACCESSORIES CHOSEN, AND HOW THE APPLIANCE IS OPERATED.

## STOVE OPTIONS



Flat Black



Natural Iron



Aged Silver



Antique White



Wall Thermostat



Remote Control



Touch Screen Remote Control

## STOVE DIMENSIONS

### CIS VF

WIDTH	26-1/4"
HEIGHT	27"
DEPTH	18-3/8"

## APPLIANCE BTU OPERATING INPUT

MODEL	FUEL	BTU/HR
<b>SVYD18RNA</b>	NG	24,000-35,000
<b>SVYD18PRA</b>	LP	21,000-31,000



© 2014 Innovative Hearth Products

785462M 07/14

Visit us online



SuperiorFireplaces.us.com

