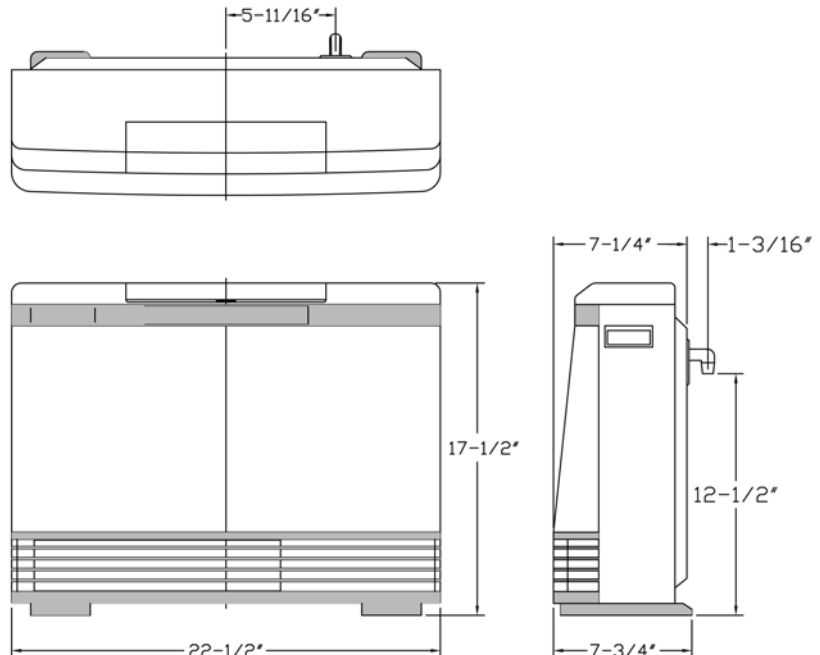


SILENT SERVANT CONVECTOR VENT-FREE SPACE HEATER

	<u>Natural Gas</u>	<u>Propane</u>
Rinnai model number:	RCE-606TRAI-N	RCE-606TRAI-P
Gas Rate (Input):	Btu/hr	Btu/hr
	Low: 5,000	5,500
	High: 24,000	21,000
Efficiency Rating:	99.9%	99.9%
Gas Supply Pressure:	WC	WC
	Min: 5.3"	10.0"
	Max: 10.5"	13.0"
Description:	Efficient, vent-free convection heater	
Connections:	Electrical – AC 120V 60Hz 45 watts Gas – ½" NPT	
Combustion System:	Stainless steel Bunsen burner	
Ignition System:	Continuous spark	
Operating Buttons:	ON/OFF, Up/Down, Function-lock, Economy, Remote Control	
Economy Mode:	Energy savings feature	
Weight:	Approx. 22.7 lbs	
Clearance from Combustibles:	Side: 2" Top: 2" Back: 2" Front: 30"	

Dimensions:



RCE-606TRAI

- Warm Air Outlet: Bottom front louvers
- Fan CFM Output: Low: 99
High: 198
- Operation: Finger touch control buttons
- Temperature Control: Electronic thermostat HI-LOW/OFF, Up/Down switch 2°F increments
- Temperature Range: LOW=55°F 60°F~80°F HI=High Combustion
- Safety Devices: Flame failure – flame rod
Over heat – Bi-metal switch, thermal fuse, thermistor
Power failure – PCB, gas valve will automatically close
Tilt Switch- If the heater is knocked over the gas supply will shut off.
Child Safety Lock
Oxygen depletion safety device- will cut the gas supply off when low oxygen is sensed.

Control Panel/Remote:

