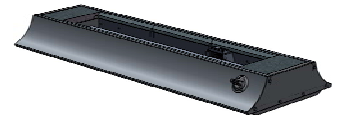


Rinnai Outdoor Fireplace 4500 Series

Type of Appliance	Open fronted radiant/convector outdoor gas fireplace with manual control. Permanently fixed heating appliance in outdoor areas only. Complies with CSA International Requirement 4.96 U.S. for Outdoor Gas Fireplaces.
Gas Rate Input (BTU/hour)	Natural Gas (NG): 25,000 - 45,000 BTU/hr Propane (LPG): 30,500 - 41,500 BTU/hr
Maximum Gas Supply Pressure	10.5 inch (267 mm) W.C. 13 inch (330 mm) W.C.
Burners	304 Stainless Steel Tube
Gas Type	Propane (LPG); convertible to Natural Gas with included conversion kit
Gas Connection	3/8 SAE 45° Flare Fitting with 5/8 UNF Thread
Gas Control	Gas control valve consisting of an inlet connection, Piezo ignitor, thermocouple flame failure and manual control knob.
Ignition Method	Intermittent pilot
Pilot	SIT single orifice pilot assembly with fixed aeration and replaceable fixed pilot orifice for conversion to natural gas. Pilot assembly also contains a pilot ignition electrode and thermocouple for flame failure.
Piping	Burner is supplied through an aluminum pipe from the gas control to the burner orifice block. Pilot burner is supplied gas by an aluminum pipe directly from the gas control.
Warm Air Outlet	Top louver discharge
Weight	Burner Assembly: 44 lb (20 kg) Body Assembly: 66 lb (30 kg) Burner and Body Assembly: 110 lb (50 kg)
Warranty	All parts: 2 years from date of purchase

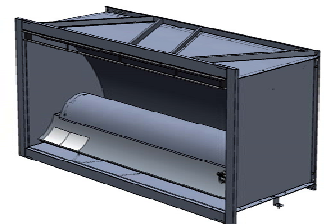
Burner Assembly

The major component of the Rinnai outdoor fireplace is the burner assembly. This consists of a tube burner with an open tray filled with pumice and stones. The complete assembly is fitted with a stainless steel 404 body including a weather cover.



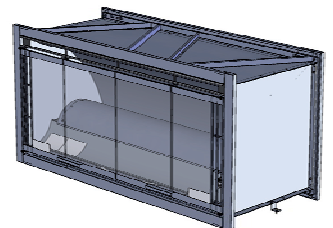
Body Assembly

The outer body assembly is included with the single sided (ROF4501) and see-through (ROF4502) models. One of these models must be used if installation is into a combustible enclosure.



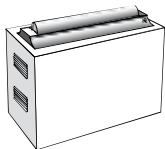



Body Assembly with Glass Doors

The body assembly has optional tempered glass, double bi-fold doors to reduce the effects of wind or rain on the burner. The appliance can operate with the doors open or closed.



Rinnai is continually updating and improving products; therefore, specifications are subject to change without prior notice. Local, state, provincial and federal codes must be adhered to prior to installation.

Sample Installations

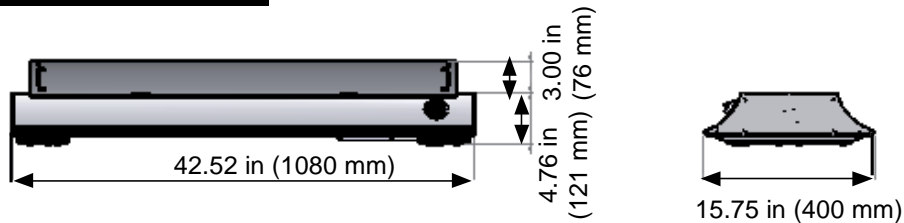
Components Needed	Freestanding (ROF4500)	Open 1-Sided Cabinet (ROF4501)	Open 2-Sided Cabinet (ROF4502)	Non-combustible enclosed masonry
				
Burner Assembly LPG (ROF4500)	✓			✓
1-Sided Burner/Body Assembly LPG (ROF4501)		✓		✓ OR [1]
2-Sided Burner/Body Assembly LPG (ROF4502)			✓	✓ OR [1]
Optional Accessories				
Glass Bi-fold Door Assembly (R2612) [2]		✓	✓	✓ [3]
LPG-NG Conversion Kit (R2613) (included with appliance and available for purchase)	✓	✓	✓	✓
Console Door Module (R2631)	✓	✓	✓	
Console Base Module (R2632)	✓	✓	✓	
Console Spacer Module (R2633)	✓	✓	✓	
Fireglass Burn Media (R2621)	✓	✓	✓	✓
Driftwood Burn Media (R2620)	✓	✓	✓	✓

[1] If attaching the door assembly you need to select either the 1 or 2-sided burner/body assembly.

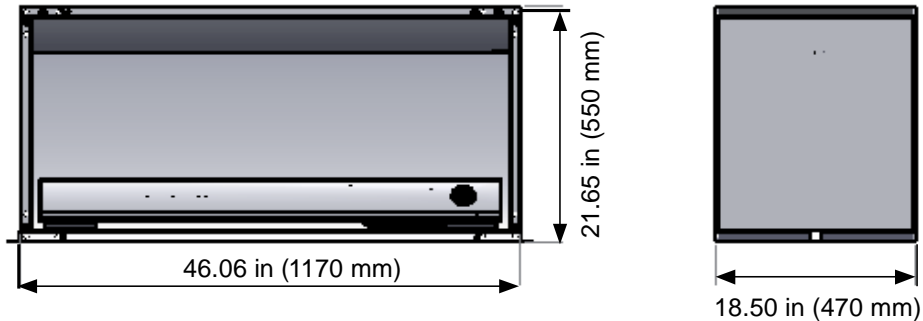
[2] Suitable for installation using cladding and finishes that can withstand temperatures up to 302° F (150° C). Sold as 1 set. This assembly is comprised of tempered glass double bi-fold doors with stainless steel surrounds and fixings.

[3] Door assembly attaches to the cabinet frame of the appliance, and so is only suitable for installations where a cabinet (or body assembly) has been installed.

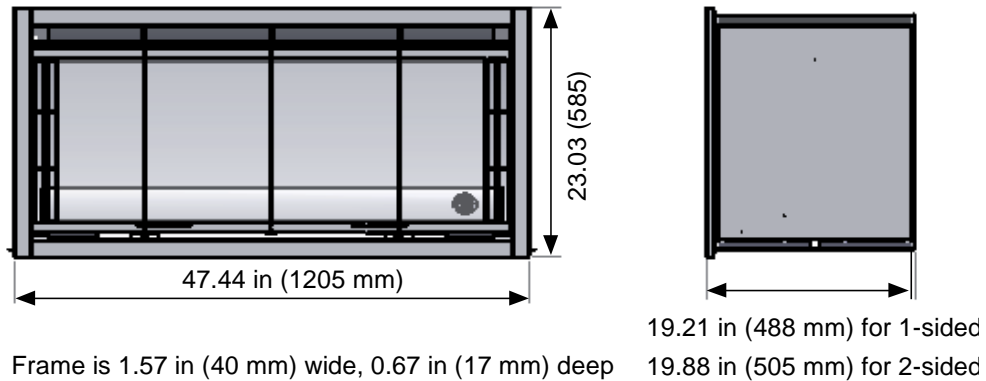
DIMENSIONS - inches (mm)



Body Dimensions



With Fascia and Doors Dimensions



Frame is 1.57 in (40 mm) wide, 0.67 in (17 mm) deep

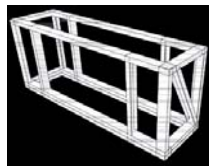
Steel Frame Consoles

Steel frame console modules are available which can reduce installation time and provide design flexibility for any outdoor area. These console modules are available as accessory items. Please refer to the steel frame modular system installation manual for additional instructions.

Base and Door Modules



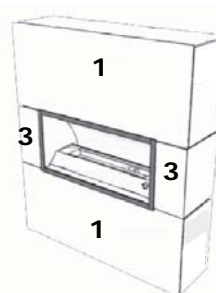
1. Base Module (R2632)



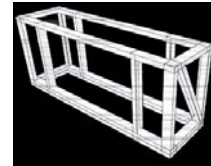
2. Door Module (R2631)



Base and Spacer Modules



1. Base Module (R2632)



3. Spacer Module (R2633)

