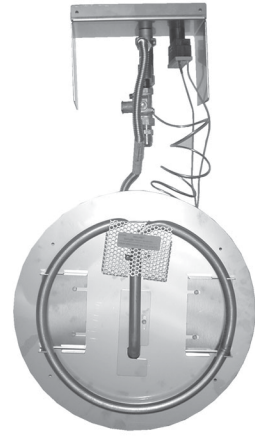


ROBERT H. PETERSON CO.

**THE NEW OUTDOOR CAMPFYRE  
CONTROL SYSTEM  
OCBE-34/OCBE-34P**

**INSTALLATION AND  
OPERATING INSTRUCTIONS**



**Installer:**  
Please leave these instructions  
with the consumer.

**Consumer:**  
Please retain for future reference.

**OWNER'S MANUAL**

**FOR OUTDOOR USE ONLY**

**IMPORTANT:**

READ THIS MANUAL CAREFULLY BEFORE  
INSTALLATING YOUR  
OUTDOOR CAMPFYRE KIT.

**FOR YOUR SAFETY  
IF YOU SMELL GAS:**

1. Shut off the gas to the appliance.
2. Extinguish any open flame.
3. If odor continues, immediately call your gas supplier or Fire Department.

**FOR YOUR SAFETY**

1. Do not store or use gasoline or other flammable vapors and liquids in the vicinity of this or any other appliance.
2. An L.P. cylinder not connected for use shall not be stored in the vicinity of this or any other appliance.

**We reserve the right to amend product specifications without prior notice.**

**CODE AND SUPPLY REQUIREMENTS:** This outdoor campfyre kit must be installed in accordance with local codes and ordinances, or in the absence of local codes, with the latest National Fuel Gas Code, ANSI Z223.1.

**WARNING:**

Improper installation, adjustment, alteration, service or maintenance can cause injury or property damage. Refer to this manual. For assistance or additional information consult qualified, professional installer, service agency or the gas supplier.

This appliance is designed as an “**attended appliance**”. Adults **must** be present when the unit is operating. **DO NOT** leave this unit burning when unattended. If this product is left burning unattended it may cause damage or serious injury.

Certified to  
CSA International 4.96 US  
For Outdoor Gas Fireplaces

Tested &  
Listed By



Beaverton  
Oregon USA

OMNI-Test Laboratories, Inc.

This manual may not be copied, photocopied, reproduced, translated, or published in any electronic or machine-readable form in whole or in part without prior written approval of Robert H. Peterson Co.

ROBERT H. PETERSON CO. • 14724 East Proctor Avenue, City of Industry, CA 91746

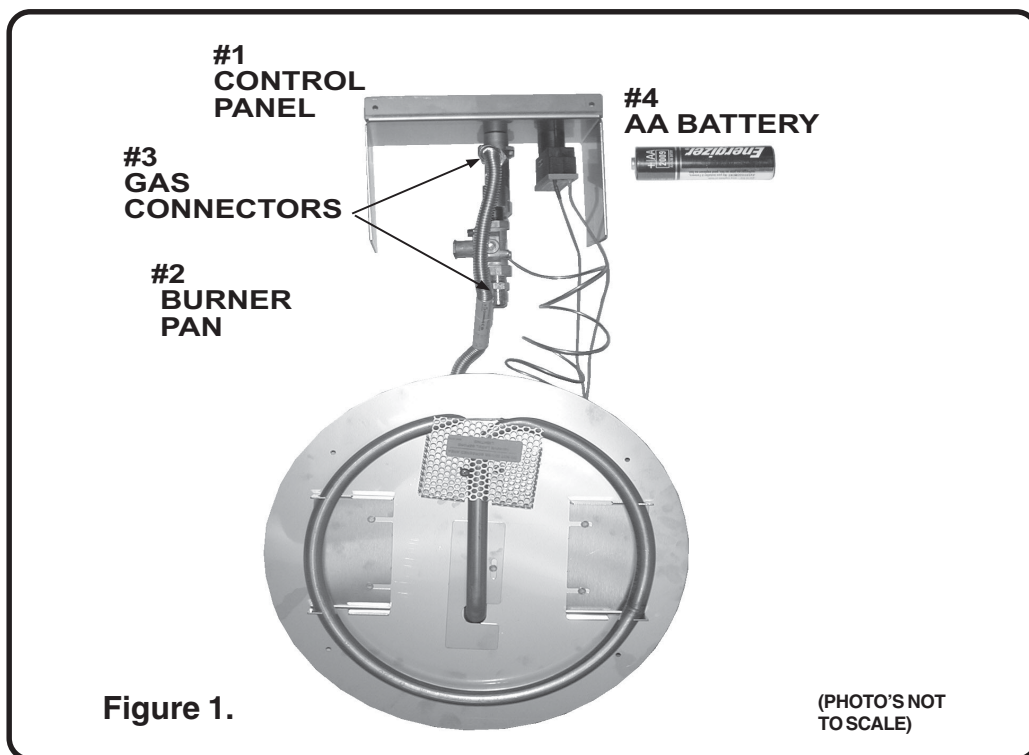
## IMPORTANT SAFETY INFORMATION

### BE CAREFUL

If not installed and used correctly per these instructions, this product can cause serious injury.

**Caution:** Installation and repair must be done by a qualified, professional installer. **READ THESE INSTRUCTIONS FULLY BEFORE INSTALLING THIS OUTDOOR CAMPFYRE KIT.** Be sure you understand all safety precautions and warnings contained in this manual.

- A. **FOR OUTDOOR USE ONLY. THIS UNIT MUST BE INSTALLED AT LEAST 60" FROM CENTER OF BURNER TO ANY COMBUSTIBLE WALLS OR MATERIAL. IT MUST NOT BE INSTALLED UNDER ANY TYPE OF CEILING OR OVERHANG.**
- B. When shutting the unit down—be sure to **TURN THE CONTROL VALVE FULLY OFF.**
- C. **WARNING: CARBON MONOXIDE POISONING MAY LEAD TO DEATH. DO NOT MODIFY THIS OUTDOOR CAMPFYRE KIT OR ITS CONTROLS, EXCEPT AS PROVIDED FOR IN THIS MANUAL.**
- Any other change may be dangerous. Improper installation or use of your outdoor campfyre kit can cause serious injury or death from fire, burns, explosions or carbon monoxide poisoning.
- D. Check state and local codes to determine if the outdoor campfyre kit is permitted in your locality before installation.



### Parts List

Part No.	Item
200343	#1. Control Panel Assembly (1)
OCR-34-03	#2. Burner Pan Assembly (1)
3035-01	#3. 24" Gas Flex Connector (2)
UV7-009-02	#4. AA Battery (1)

## IMPORTANT SAFETY INFORMATION

### PRE-INSTALLATION AND OUTDOOR CAMPFYRE KIT PREPARATION SAFETY GUIDELINES

- A. Before installing this outdoor campfyre kit, check "Minimum Clearance to Combustibles" in your Owner's Manual. **MINIMUM CLEARANCES** must be maintained when you install this outdoor campfyre kit. **ALL SIDES** of the enclosure opening **MUST BE AT LEAST 60"** from the center of the burner to anycombustible sidewall. The unit **MUST NOT BE** installed under any type of ceiling or overhang.
- B. The outdoor campfyre kit is for outdoor use only. **DO NOT** install or use this appliance inside a building, garage, or any other enclosed area including recreational vehicles and/or boats. **This unit must be installed in such a manner that proper air ventilation is maintained without obstruction at all times, and during all weather conditions.**
- C. **CHECK GAS TYPE** (natural gas or propane): The gas supply you intend to use may not be the same as that stated on your outdoor campfyre kit rating plate on the side of the control panel. If the gas supply is different, **convert your outdoor campfyre kit (method described on page 7) to the gas type you intend to use.** If you are unsure, contact your dealer for assistance.
- D. **DO NOT USE IF GAS PRESSURE IS LOWER THAN THE MINIMUM REQUIREMENT OR EXCEEDS THE MAXIMUM.**
- E. **FOR NATURAL GAS:** The minimum inlet gas supply pressure for purposes of input adjustment is **5 inches** water column and maximum inlet gas supply pressure is **10.5 inches** water column. **FOR PROPANE:** The minimum inlet gas supply pressure for purposes of input adjustment is **8 inches** water column and the maximum inlet gas supply pressure is **13 inches** water column. **DO NOT INSTALL THIS UNIT IF MINIMUM PRESSURE IS NOT AVAILABLE OR IF MAXIMUM PRESSURE IS EXCEEDED.**
- F. Gas piping system must be sized to provide minimum inlet pressure at the maximum flow rate (BTU/hr). Undue pressure loss will occur if the pipe is too small, or the run is too long.
- G. For installations at elevations above 2,000 ft., contact you local dealer or gas supplier before installing as input ratings should be reduced approximately 4% for each 1,000 ft. above sea level. Refer to the National Fuel Gas Code.
- H. The outdoor campfyre kit and its main gas valve must be disconnected from the gas supply piping system during any pressure testing of that system at test pressures in excess of 1/2 psig. This is accomplished by closing the gas supply line valve, as required by NFPA 54, section 5-54.
- The outdoor campfyre kit must be isolated from the gas supply piping system by closing its equipment shut-off valve during any pressure testing of the gas supply piping system at test pressures equal to or less than 1/2 psig.
- I. **INSTALLER NOTE:** This unit should be installed so that it can be removed at a later date for service. Any protrusion into the outdoor campfyre kit enclosure may obstruct the frame and prevent the unit from being removed.
- J. **GAS SUPPLY PLUMBING REQUIREMENTS**  
Apply only joint compounds that are resistant to all gasses on all male pipe fittings. Make sure to tighten every joint securely. Do not use pipe joint compound to connect flare fittings. The gas supply pipe should enter from the floor in the center of the enclosure. If it is not possible to stub the gas line in from center of enclosure, connection may be made through the side of the enclosure.

**SAFETY NOTE: An external on/off valve in the gas line is required for safety when your Outdoor Campfyre Kit is not in use. It also provides for convenient maintenance and repair.**

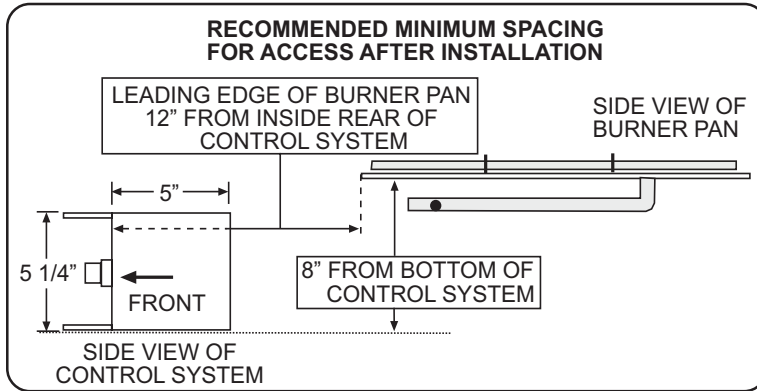
This manual may not be copied, photocopied, reproduced, translated, or published in any electronic or machine-readable form in whole or in part without prior written approval of Robert H. Peterson Co.

## INSTALLATION TIPS

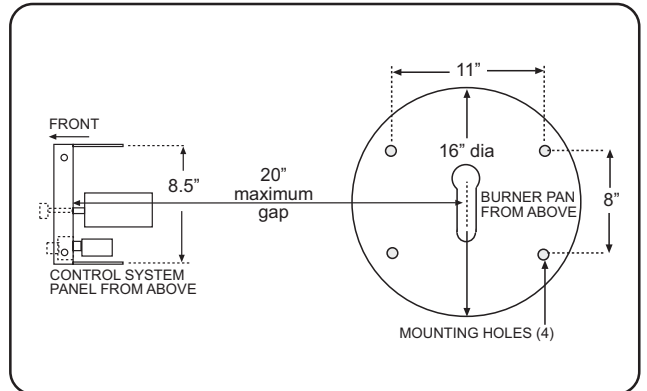
# THIS CAMPFYRE KIT IS FOR OUTDOOR USE ONLY

When installing in your enclosure, allow 8" (vertical) from the bottom of the control system to the burner pan (Figure D1) and set back the leading edge of the burner pan a maximum of 12" from the inside rear of the control system (Figures D1 & D2).

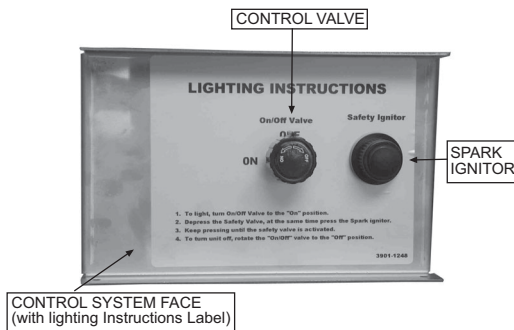
This will allow adequate access for maintenance and troubleshooting.



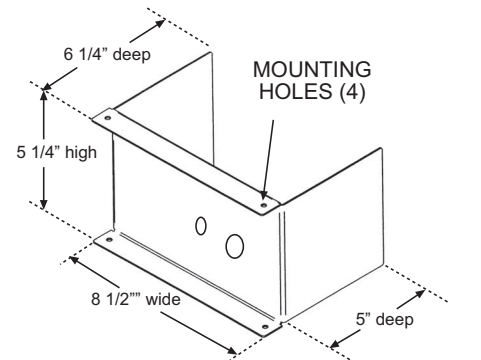
**Figure D1.**



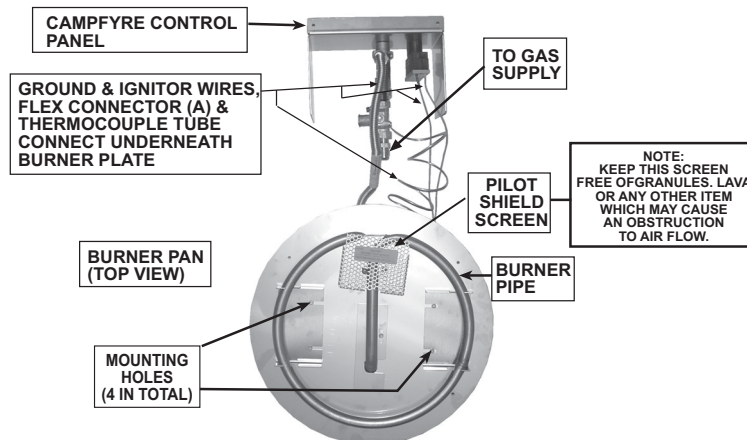
**Figure D2.**



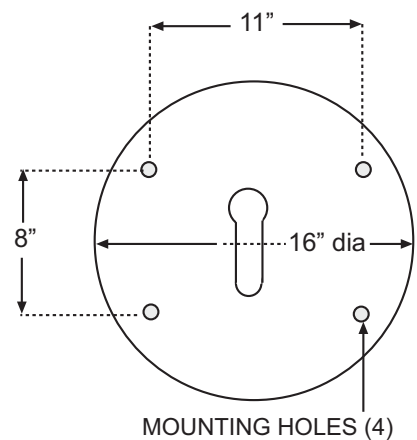
**Figure D3.**



**Figure D4.**



**Figure D5.**



**Figure D6.**

## INSTALLATION STEPS

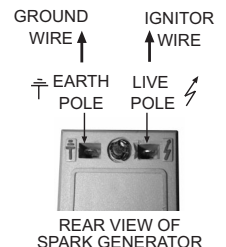
**Step 1.** Check the parts you received against the parts list.

### IMPORTANT:

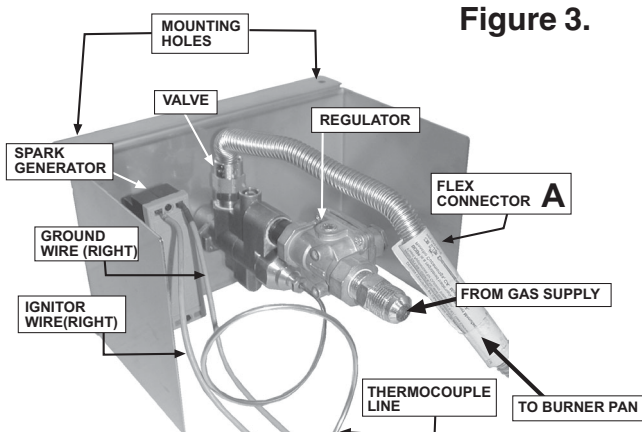
**When designing and/or constructing your fire ring, it is important to use the dimensions shown on Page 4 of this manual to ensure adequate and correct sizing for fitting the campfire control system and burner pan. It is also important to leave adequate access for installation, and for maintenance of this unit when installed in your fire pit or enclosure. See page 4 for dimensions and recommendations.**

- Step 2.** Secure the burner pan (burner upwards) into the top of your fire ring with the four mounting holes on the burner pan (Figure 4) using suitable screws, depending on material used for your enclosure. Do not overtighten.
- Step 3.** Secure the control panel into the recess in the side of your fire enclosure with the four mounting holes (2 top, 2 bottom Figure 3), using suitable screws, depending on the material used for your enclosure.
- Step 4.** Attach the female end of the flex connector (A) to the male flare on the regulator behind the control panel (see Figure 3). Tighten firmly.
- Step 5.** Connect the other end of flex connector (A) to burner tube (Figure 4). Tighten connections.
- Step 6.** Attach two green wires into the two poles in the back of the spark generator (Figure 3).
- Step 7.** Take the ground wire (connected to the “earth” pole - see Figure 2) and attach to burner pan (Figure 4) with fastener and nut provided.
- Step 8.** Take the ignitor wire (connected to the “live” pole - see Figure 2) and attach to base of the ignitor (Figure 4)
- Step 9.** Attach the thermocouple tube to the back of the valve assembly (Figure 3).
- Step 10.** Attach the other end of thermocouple tube on the underside of burner pan (Figure 4).
- Step 11.** Using teflon tape on the brass elbow, connect flex connector (B) to the valve (Figure 3). Tighten firmly.
- Step 12.** Connect the other end of (B) to your gas supply line, tighten all connections. Turn on gas and test for leaks using soapy water.  
**NEVER USE A FLAME TO CHECK FOR LEAKS.**

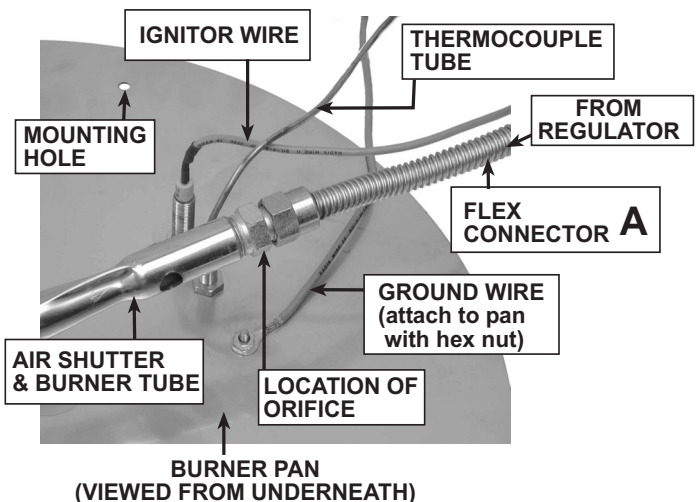
**Figure 2.**



**Figure 3.**



**Figure 4.**



## IMPORTANT INSTALLATION & SAFETY INFORMATION

**Caution:** Installation and repair must be done by a qualified, professional installer. Installer read these instructions before installing this product. Be sure you understand all safety precautions and warnings contained in this manual

### INSTALLATION SAFETY GUIDELINES

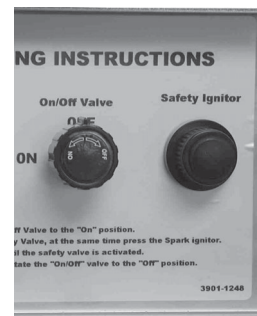
- Carefully inspect the burner and log cartons for shipping damage. If any parts are missing/damaged, call your dealer. **Do not attempt** to install the appliance unless all parts are in good condition.
- Correct installation and proper placement of the burner assembly, and any lava granules, lava coals and the refractory ceramic gas logs are crucial to safe performance of your outdoor campfire kit. **NEVER COVER THE BURNER SCREEN WITH GRANULES, COALS, LOGS OR ANY OTHER ITEM. THIS WILL IMPAIR ITS EFFICIENCY AND CAUSE THE UNIT TO MALFUNCTION.**
- Ensure that the unit is installed in such a manner that the vent screens at the base of the unit remain obstacle free at all times and during all weather conditions.
- Due to high temperatures, the outdoor campfire kit must be located out of traffic areas and away from combustibles.

## OPERATING YOUR PETERSON OUTDOOR CAMPFIRE

### LIGHTING INSTRUCTIONS

- STOP!** Read the safety information above.
- Press and hold the electric ignitor button. The ignitor will begin to spark with a rapid clicking sound.
- While holding the ignitor button in, push in the ON/OFF control knob to open the gas valve. The main burner will ignite AT THE MAXIMUM BTU INPUT.

**FOLLOW THE INSTRUCTIONS ON THE CONTROL PANEL FACE TO LIGHT THE CAMPFIRE.**  
**NOTE: HERE THE ON/OFF VALVE IS IN THE "OFF" POSITION.**



- Continue to hold knob for 10-15 seconds - this will allow the safety valve to activate and the main burner will remain lit. Turn ON-OFF control knob to adjust flame height. If unit fails to light at step 4 after 5 seconds, STOP, turn control knob to 'OFF' and repeat steps 2 & 3.
- NOTE: The gas log set should remain lit. If it goes out, or fails to light wait five (5) minutes to clear out any gas and repeat steps 1 through 3.

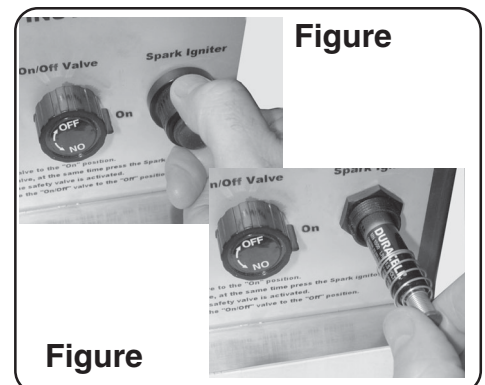
- If the safety pilot valve does not activate and the gas does not light, **STOP**, immediately call your service technician or gas supplier.
- If the gas log set will not stay lit after several tries, turn the gas control knob to "OFF" and call your service technician or gas supplier.

To turn the unit off, turn the ON/OFF valve fully to "OFF".

### TO INSTALL /REPLACE BATTERY IN SPARK GENERATOR.

- Carefully unscrew the complete generator cap (Figure 5A).
- Withdraw the existing battery and spring (Figure 5B.); detach battery, taking care not to lose spring.
- Insert new battery base first (negative end 1st) into spring.
- Insert battery and spring into generator (Figure 5B) replace cap, screwing down (Figure 5A) until snug. Do not overtighten.

Always replace with new, unused batteries to ensure good spark generation.



## CONVERTING YOUR CAMPFYRE KIT TO A DIFFERENT GAS TYPE

To convert your outdoor campfyre kit from natural to propane (L.P.) gas or from L.P. to natural gas, carefully follow the steps below:

**1. MAKE SURE THAT THE GAS SUPPLY TO THE CAMPFYRE KIT (AND ANY NEARBY ELECTRICAL SOURCES/APPLIANCES) ARE SHUT OFF.**

2. If present, remove all logs and lava rock from the campfyre enclosure.

3. Remove the 4 screws attaching the burner pan to your fire ring or enclosure. (see page 4, Figure D5 & D6).

4. Remove the 4 control face panel attachment screws (on the top and bottom outer edges, page 4, Figure D4), and carefully pull out panel to give access to regulator and orifice location.

5. Carefully detach the thermocouple from the safety valve and remove the ignitor wire from the ignitor module. (see Figure 8 for location). Take care not to kink the thermocouple.

6. Carefully detach the orifice holder from the burner tube by removing the flex connector from the burner assembly. The orifice is located at the end on flex connector adapter (orifice holder) see Figure 8 below.

7. Replace the orifice with the proper sized one for your gas requirement.  
natural gas requires a #14 (drill size) orifice. Propane requires a #43 orifice.

8. Convert the regulator (situated behind the control panel, see Figure 8) to the required gas by;

a) Unscrew/remove the cap (Figure 6) from the regulator, extracting the converter.

b) Remove the converter (the red plastic stalk, Figure 6) by carefully pulling it away from the center of the cap (it will snap out of its seating).



c) Turn the converter around and replace carefully into the center of the cap (it will snap into place).

**Check that you can read the type of gas the unit is set for.**

**NOTE: EACH END OF THE PLASTIC CONVERTER IS EMBOSSED WITH EITHER THE LETTERS "NAT" OR "L.P." FOR THE RESPECTIVE GAS TYPE. WHEN THE CONVERTER IS IN THE CAP AND THE CAP HELD UPPERMOST, THE LETTERS SEEN INDICATE THE GAS THAT THE REGULATOR IS SET UP FOR.** (see Figure 6)

d) Replace the cap and converter into the regulator and screw down until snug.

9. The burner air shutter **must be in place** (as in Figure 7) **when** converting to and **using natural gas.**

**When** converting to and **using L.P. gas**, the air shutter **must be removed** (see page 5, Figure 4).

Once the above steps are complete and checked, re-assemble the campfyre kit (steps 2-6 in reverse order). Finally restore your gas supply. Follow the procedures on page 6 for lighting your outdoor campfyre.

**BURNER AIR SHUTTER  
IN PLACE  
(FOR NATURAL GAS ONLY  
-REMOVE FOR L.P.GAS)**

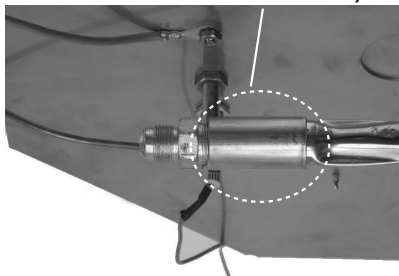


Figure 7

REMOVE  
THERMOCOUPLE  
FROM VALVE

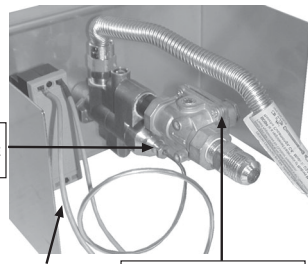
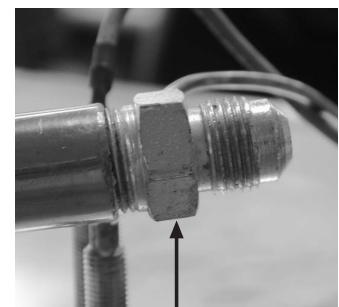


Figure 8



REMOVE ORIFICE HOLDER  
FROM END OF BURNER PIPE

Figure 9

## GENERAL INFORMATION ON OPERATING YOUR OUTDOOR CAMPFYRE KIT SAFELY AND CORRECTLY

- A. Young children **MUST** be carefully supervised when in the same vicinity of this appliance.
- B. **DO NOT** sit or place any part of the body or combustible materials on or near the outdoor campfyre surround or gas log set. Children and adults should be alerted to the hazard of high surface temperatures and should stay away to avoid burns or clothing ignition.
- C. Every time you use your outdoor campfyre kit, make sure that:
1. Area around the outdoor campfyre kit is clear of flammable items such as gasoline, yard debris, wood, etc.
  2. **THE PERFORATED BURNER SHIELD IS NOT COVERED OR BLOCKED WITH GRANULES OR ANY OTHER ITEM** (see page 9, Figure A)
  3. There is no blockage of the air flow through any vent screens located in your enclosure unit.
- D. **WARNING: HOT WHILE IN OPERATION AND FOLLOWING OPERATION.** Children must be carefully supervised when in the vicinity of this appliance. Serious injury may occur! **DO NOT** throw trash, paper, or other flammable materials onto your outdoor campfyre kit. **DO NOT** leave in operation, when unattended.  
**WARNING: DO NOT operate this outdoor campfyre in the rain.**
- E. SOLID FUEL MUST NOT BE BURNED in the enclosure where your outdoor campfyre kit is installed.
- F. **DO NOT** continue using if you smell unusual odors, or have headaches, nausea or are dizzy.
- G. **DO NOT** store any combustible materials, gasoline, and any other flammable vapors/liquids around the area of your outdoor campfyre kit. Provide adequate clearance for servicing and operation.
- H. **DO NOT** place clothing or any flammable material on or near your outdoor campfyre kit. Matches, paper, garbage, or any other material must not be thrown on top of the logs, burner, or into the flame.
- I. **DO NOT** use your outdoor campfyre kit if any part of it has been under water. Immediately call a qualified, professional service technician to inspect the set and to replace any part of the control system which has been under water.

## PETERSON OUTDOOR CAMPFYRE LIMITED WARRANTY

### THREE (3) YEAR LIMITED WARRANTY

All Peterson outdoor campfyres, burner component parts, except the valves and controls and enclosures are covered by a three (3) year limited warranty.

All Peterson valves and controls are covered by a separate one (1) year limited warranty.

This warranty applies only to the original purchaser and to Peterson products purchased primarily for personal, family or household purposes.

This warranty does not cover parts becoming defective by misuse, accidental damage, improper handling and/or installation (log sets must be installed as outlined in the enclosed instructions). It does not cover labor or labor-related charges. It specifically excludes liability for indirect, incidental or consequential damages. Some states do not allow the exclusion or limitation of incidental or consequential damages, so the above exclusion or limitation may not apply to you. This warranty gives you specified legal rights and you may have other rights which may vary from state to state.

For additional information regarding this warranty, or information on how to place a warranty claim, contact your authorized Peterson dealer.

## ROBERT H. PETERSON CO.

Quality Check

Date: \_\_\_\_\_

Orifice # (Main): \_\_\_\_\_

Orifice # (Other): \_\_\_\_\_

Leak Test: \_\_\_\_\_

Burn Test: \_\_\_\_\_

Gas Type: **NAT. / L.P.**

Model #: \_\_\_\_\_

Serial #: \_\_\_\_\_

Air Shutter: \_\_\_\_\_

Inspector: \_\_\_\_\_